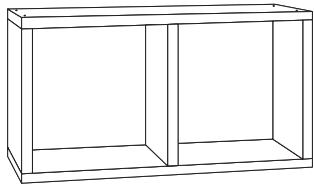

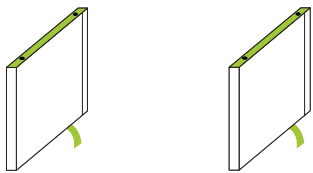


# CONNECT RECTANGLE

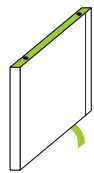


## Included

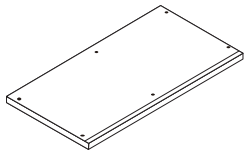
  
16 pins  
(4 pins for connection)



2 Vertical zBoards  
with grooves on 1 side  
adhesive strips on 2 edges



1 Center zBoard  
with grooves on 2 sides  
adhesive strips on 2 edges



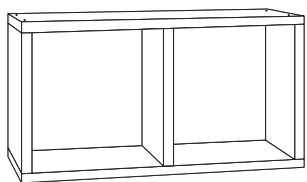
2 Horizontal zBoards  
top and bottom



2 Backer Boards  
thin and no adhesive

 **WARNING: CHOKING HAZARD**  
Small parts NOT for children under 3 years

## Important



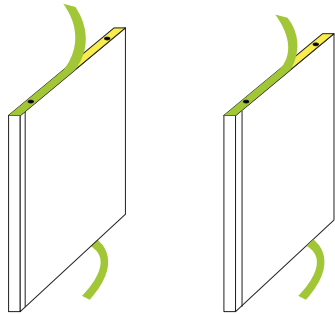
THIS SIDE UP

**CAUTION** placing unit on its side or back will compromise structural integrity. Use right side up.

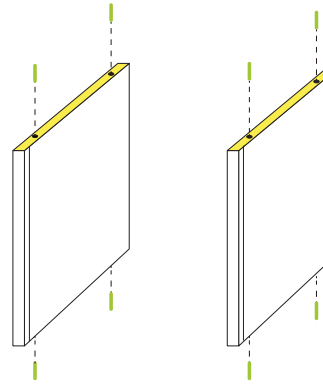


- Assemble your unit on a flat even surface
- Make sure zBoard surfaces are clean and dry

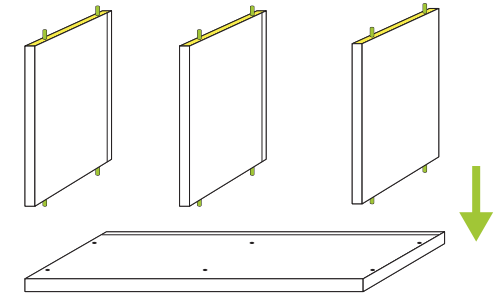
- When moving your Way Basics unit, lift from the bottom
- Indoor use only. Not in bathroom.



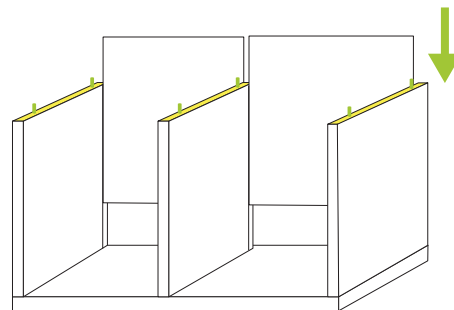
**1** Carefully remove the protective layer on the Vertical zBoards and Center zboard, making sure not to remove the 3M adhesive.



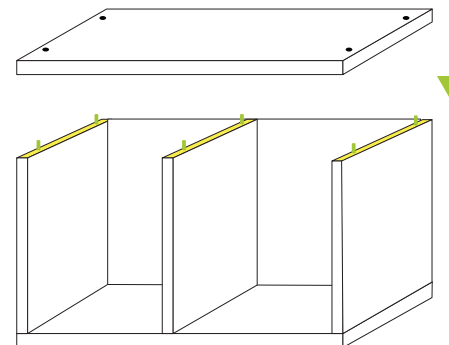
**2** Insert pins as shown.



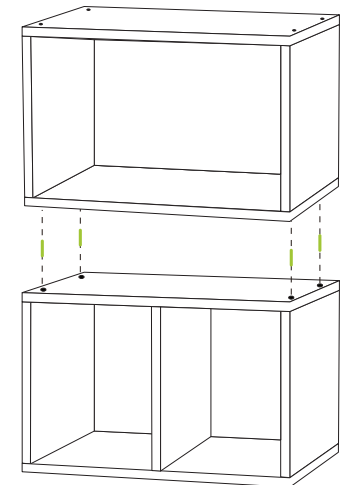
**3** Arrange Vertical zBoards with grooves in Bottom zBoard, then align Center zboard to holes.



**4** Fit Backer Boards in grooves of Bottom and Vertical zBoards.



**5** Align Top zBoard to unit as shown. Press down firmly to secure.



**6** Stack other Connect Rectangles with connecting pins for your perfect configuration.

Enjoy building possibilities!

