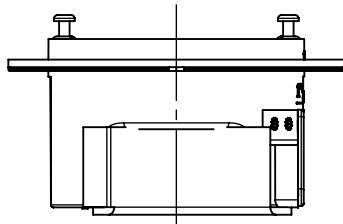
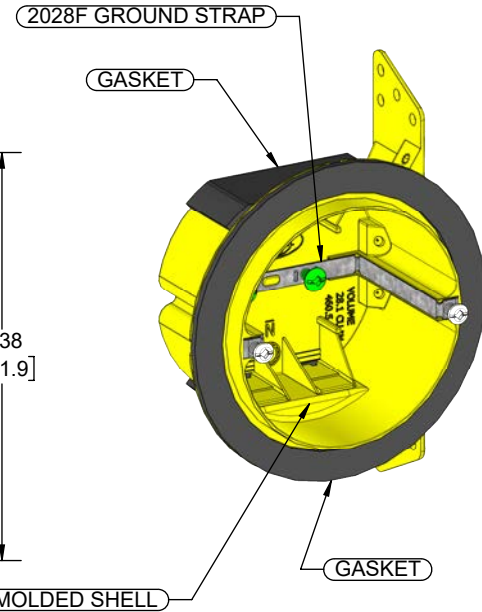
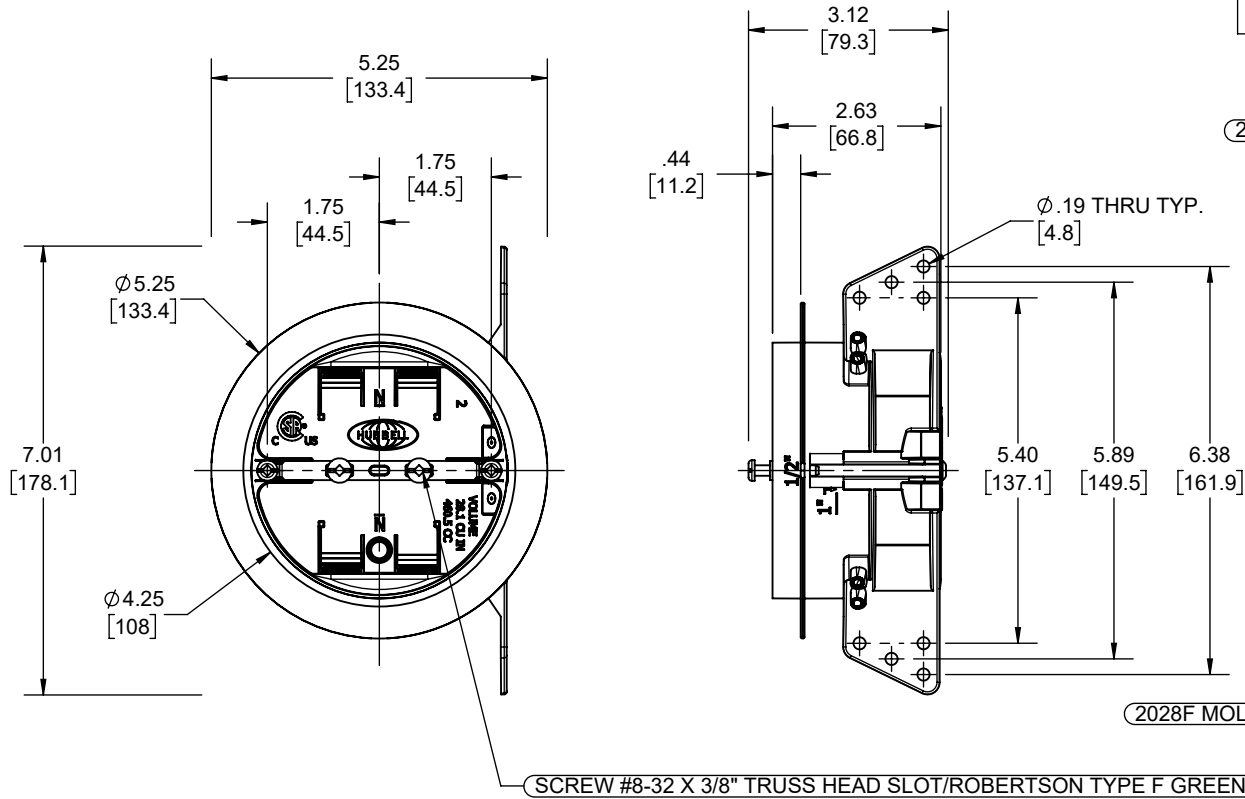


REVISIONS			
REV.	DATE	DESCRIPTION	BY
-	06-25-24	INITIAL RELEASE	RMV



DESCRIPTION	MATERIAL	FINISH
GASKET	PVC	-
FASTENERS	STEEL	GALVANIZED
GROUND STRAP	STEEL	GALVANIZED
SHELL	PPE+PS	YELLOW

LIST OF PARTS

THE DESIGN AND DIMENSIONS OF THE PRODUCT SHOWN ON THIS DRAWING ARE SUBJECT TO CHANGE WITHOUT NOTICE

TITLE:

4" ROUND NM VAPOR BARRIER CABLE BOX

TOLERANCE UNLESS OTHERWISE SPECIFIED

.XX DECIMAL ± .015
.XXX DECIMAL ± .005
ANGLE ± 2°



DRAWN BY:	RMV	SCALE:	SIZE:
APP. BY:	N.S.		
DATE:	06-25-24	1:3	A

NOTES:

1. ALL DIMENSIONS ARE IN INCHES AND [MILLIMETERS]
2. VOLUME: 28.1 IN³ [460.5 CM³]
3. cCSAus LISTED