

Shower Door
1/4" glass (6mm)

INSTALLATION GUIDE

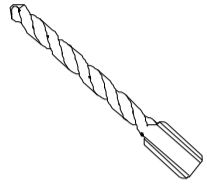
CAUTION: To reduce the risk of breakage, keep corner protectors on glass while installing.
Keep corner protectors for use in case future adjustments are needed.
Consult your local plumbing codes prior to installation.

MODEL:
19343672CH06NP
19343672MB06NP



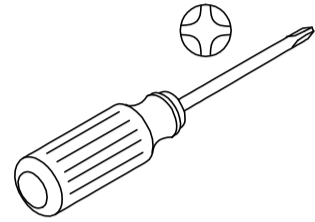
TOOLS REQUIRED

Drill Bits

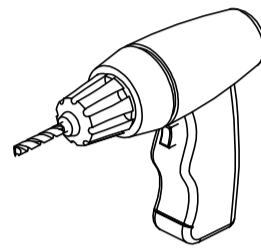


Ø1/4" (6mm) & Ø1/8" (3mm) dia.
HSS

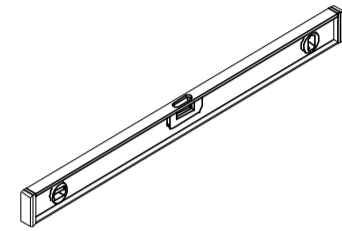
Screw Driver



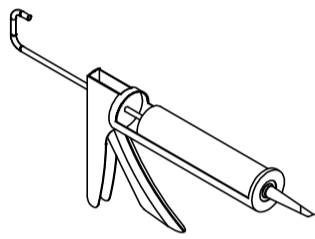
Drill



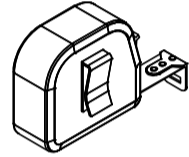
Level



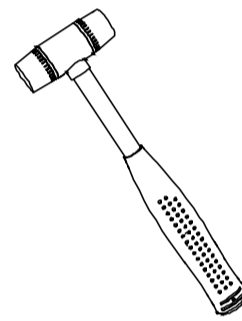
Silicone



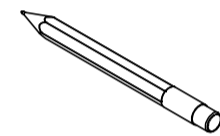
Measuring Tape



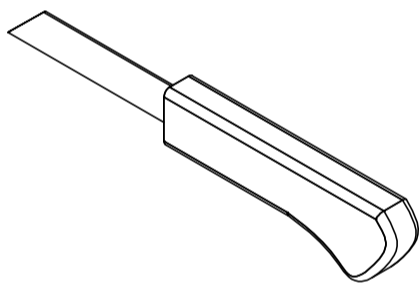
Soft Head Hammer



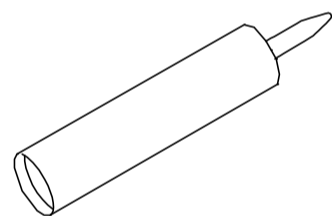
Pencil



Knife



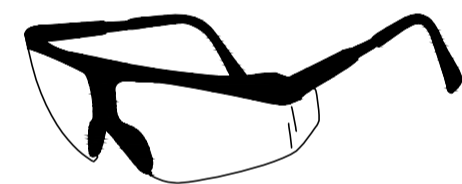
Sealant



MASONRY DRILL BIT FOR TILE Ø6mm



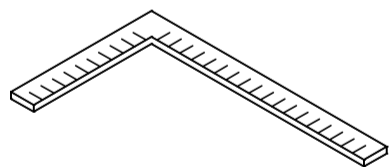
Safety Glasses



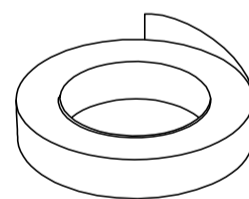
Glove



Carpenter's Squarer



Masking or painter's tape



CAUTION: When cutting or drilling metal components or when handling glass, to reduce the risk of personal injury, protective eye wear, gloves, and closed-toe shoes are required.

SAFETY INFORMATION

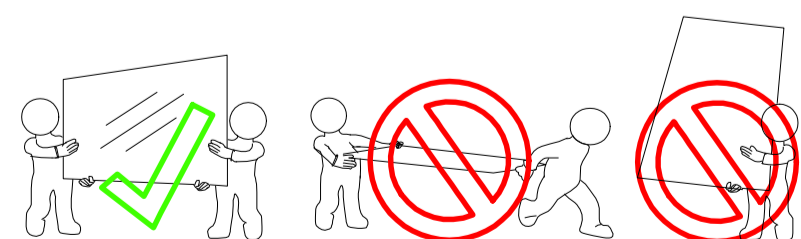
CAUTION

Please carefully read the following important safety information before handling or installing this shower. There is a risk of serious injury while handling this product.

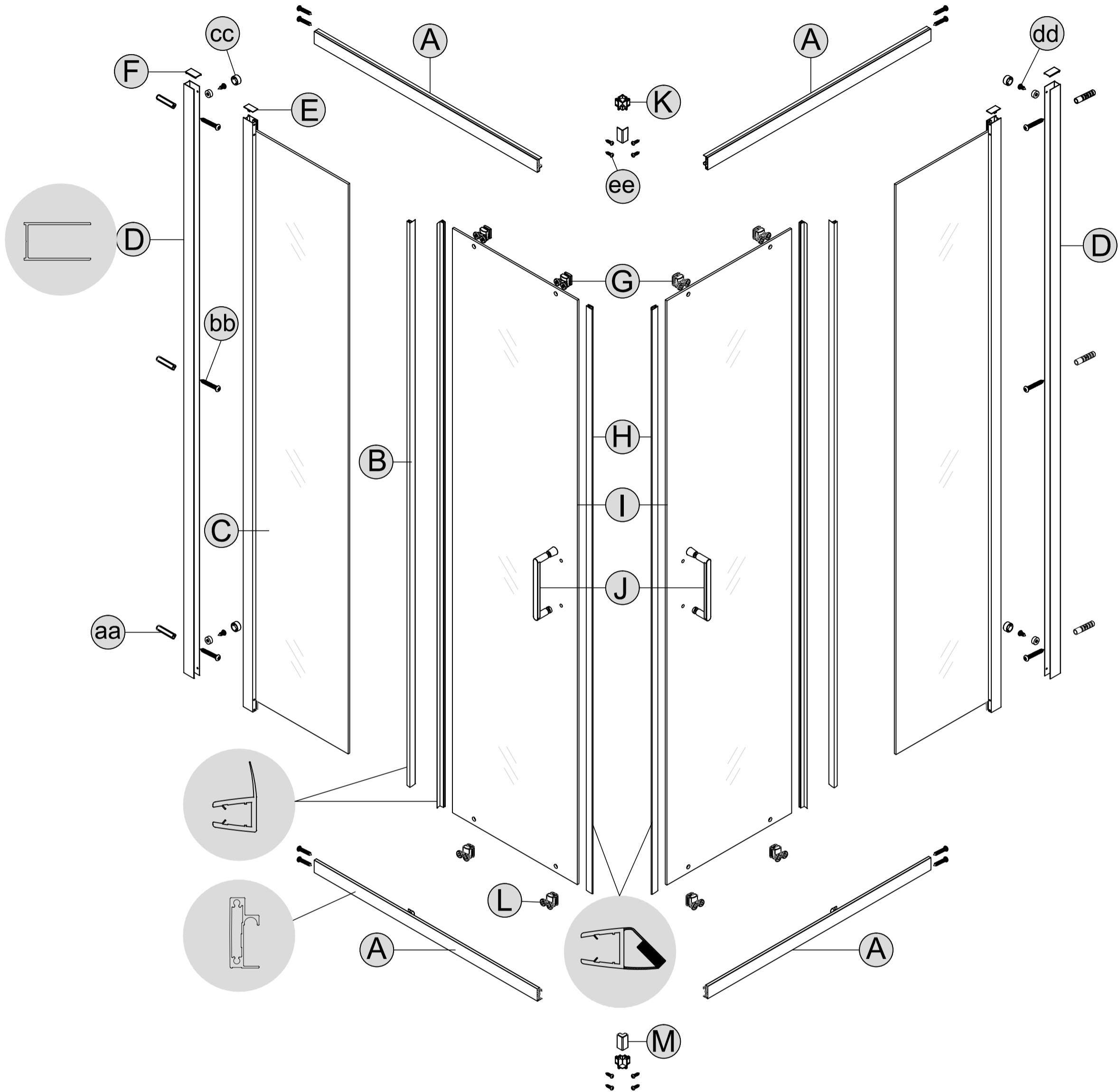
To minimize these risks, please note:

- Always wear safety glasses and gloves while handling.
- Always follow the installation instructions.
- Inspect glass for damage before installation.
- Extreme caution should be taken while handling the glass during installation as the tempered glass may shatter if in contact with a hard surface.
- Do not cut or modify the tempered glass as it will shatter if cut.
- Carefully remove product from packaging and keep packaging until installation is complete.
- Inspect all parts for damage or missing; if there is damage or part missing to the unit prior to installation, please contact customer service at the number provided in this guide.
- Cover the drain with tape to prevent the loss of small parts.
- The shower base and finished walls should be installed before beginning the shower door installation.
- During the installation, protect the shower floor with a drop cloth to avoid damage.
- This product should be installed by two people who are familiar with construction requirements. Professional installation is recommended!
- Keep this installation manual for future reference.

NOTE: Two people should perform this installation.



DOOR ASSEMBLY




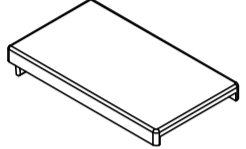
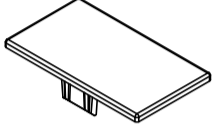
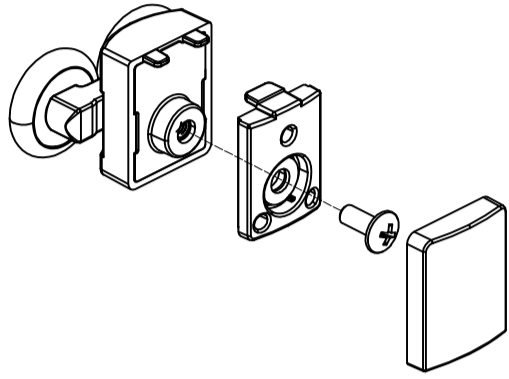
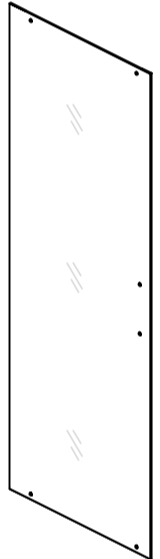
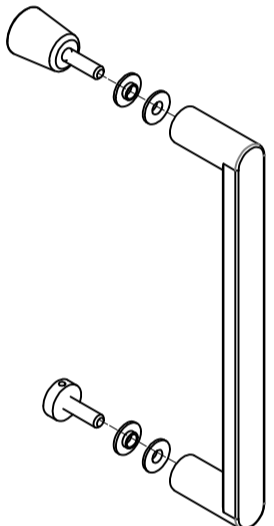
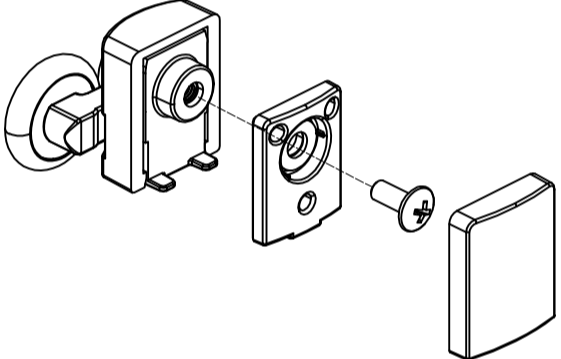
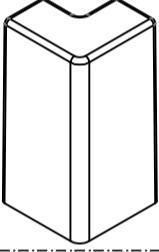
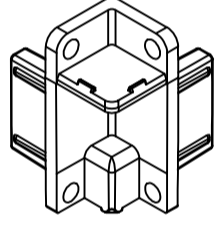
PACKAGE CONTENT

PART#	DESCRIPTION	QTY
A	Top and bottom Rail	4
B	Anti-Water Strip	4
C	Stationary Glass	2
D	Wall jamb	2
E	Wall profile top inner cap	2
F	Wall profile top outside cap	2

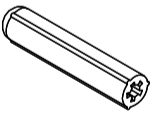

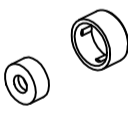



PART#	DESCRIPTION	QTY
G	Top Roller	4
H	Magnetic Strip	2
I	Glass door	2
J	Handle	2
K	Rail connector	2
L	Bottom Roller	4
M	Rail connector cover	2

CARTON PARTS IDENTIFICATION

See following pages for detailed component diagrams

 C X2 Stationary Glass	 E X2 Wall profile top outside cap	 F X2 Wall profile top inner cap	 G X4 Top Roller
 I X2 Glass door	 J X2 Handle	 L X4 Bottom Roller	 M X2 Rail connector cover <hr style="border-top: 1px dashed black;"/>  K X2 Rail connector

HARDWARE CONTENT

aa  Wall anchor Ø6x38mm 7 pcs	bb  Screw ST4*30 7 pcs	cc  Screw cover 5 pcs	dd  Screw ST4*10 5 pcs	ee  Screw ST4*16 9 pcs	ff  Screw ST4*20 9 pcs
--	---	--	---	---	---

Additional spare parts are included.

**NOTE: Inspect all parts for missing prior to installation!
 Contact us for any part missing.**

1-1 Wall Jamb (D) Installation

TABLE 1 - Enclosure assembly measurements

Measure from the finished corner to the outside edge of wall profile as shown:	
Model No.	W1 / W2
19343672CH06NP 19343672MB06NP	33-7/8" ~ 34-5/8"

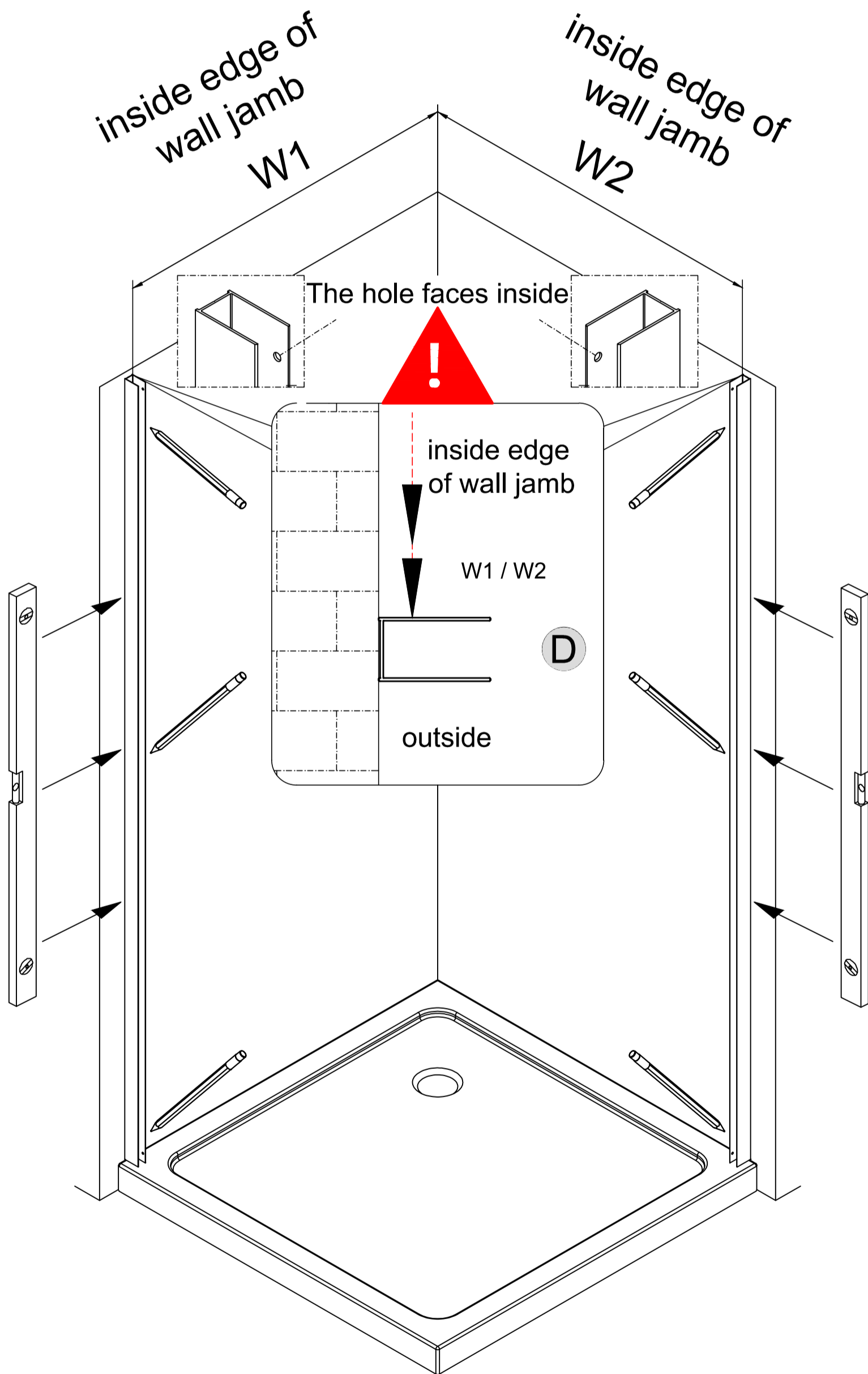


Fig 1

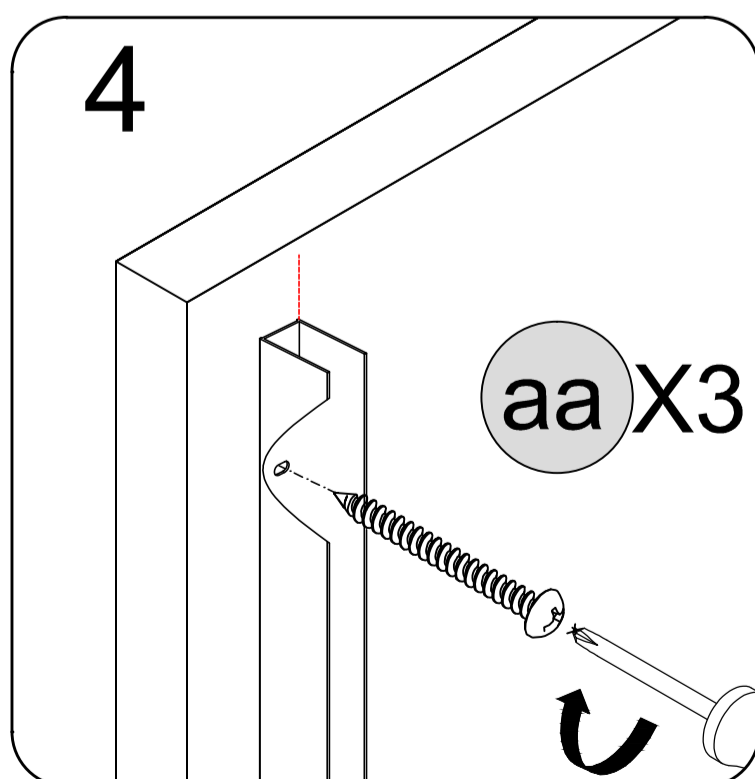
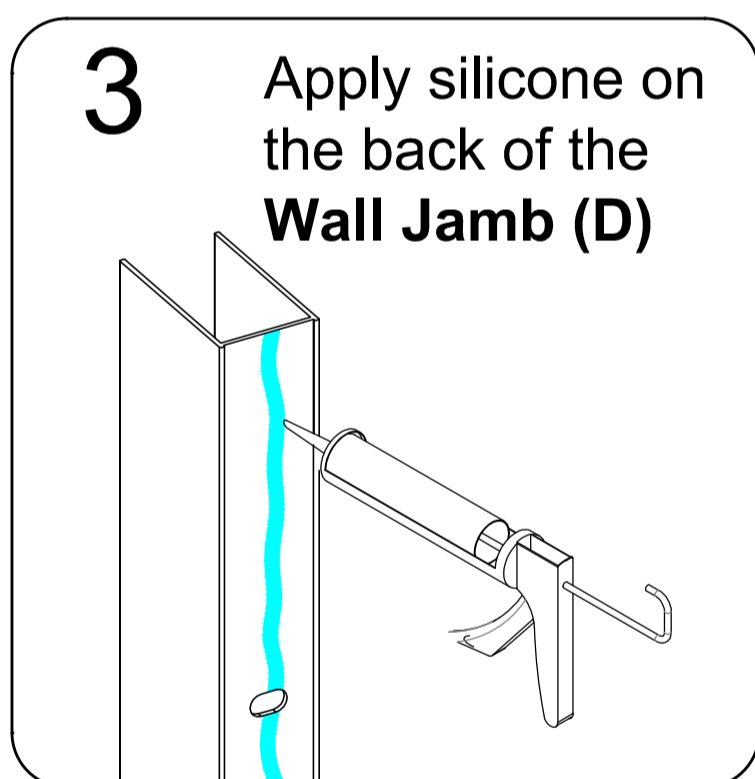
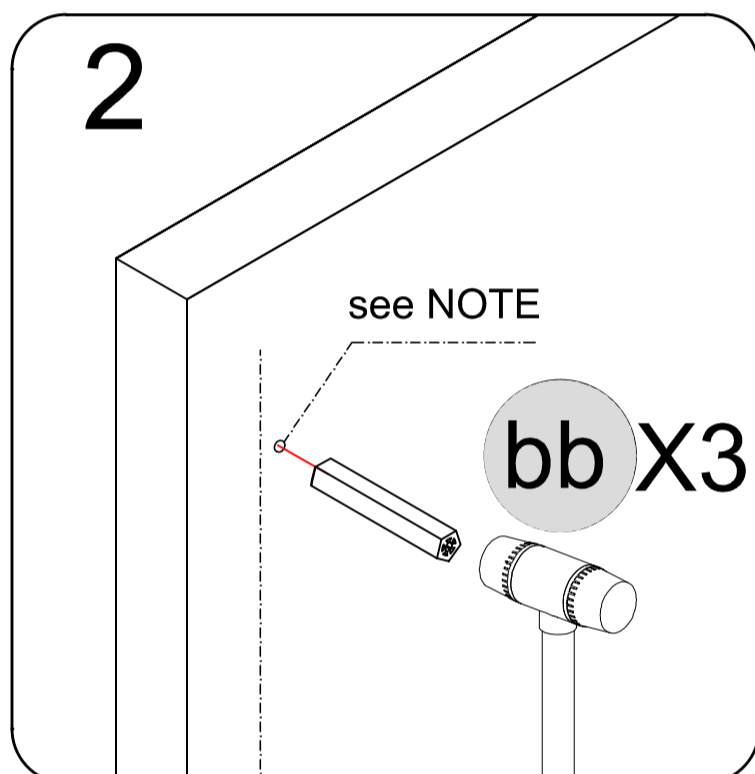
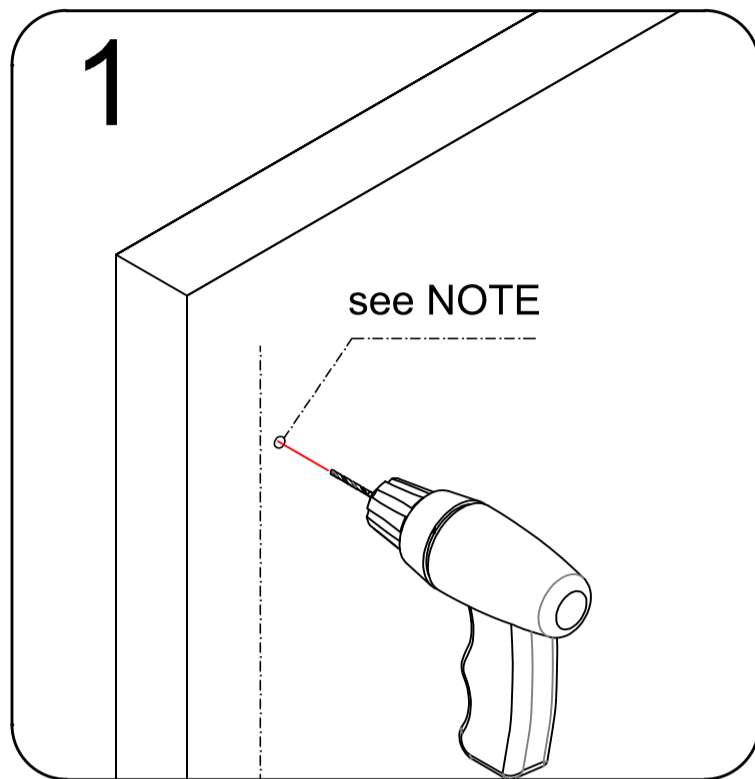
NOTE

1. Mark the wall at the threshold according to the dimensions for the model size shown in Table 1 below.
2. Place the **Wall Jamb (D)** against the walls and aligned with the new reference marks on the threshold. Use a level to plumb each Wall Jamb. (Table 1, Fig 1)

- NOTE:** This enclosure must be installed at the model size dimensions shown in Table 1. Be sure that the correct size shower enclosure has been ordered to fit the finished dimensions of the base or threshold that the enclosure will be installed on.
- NOTE:** The thickness of the finished wall treatment will effect where the enclosure will align upon the threshold.

1-2 Wall Jamb (D) Installation

CAUTION: When cutting or drilling metal components or when handling glass, to reduce the risk of personal injury, protective eye wear, gloves, and closed-toe shoes are required.



Remove **Wall Jamb (D)** and Drill the holes as Fig.2;

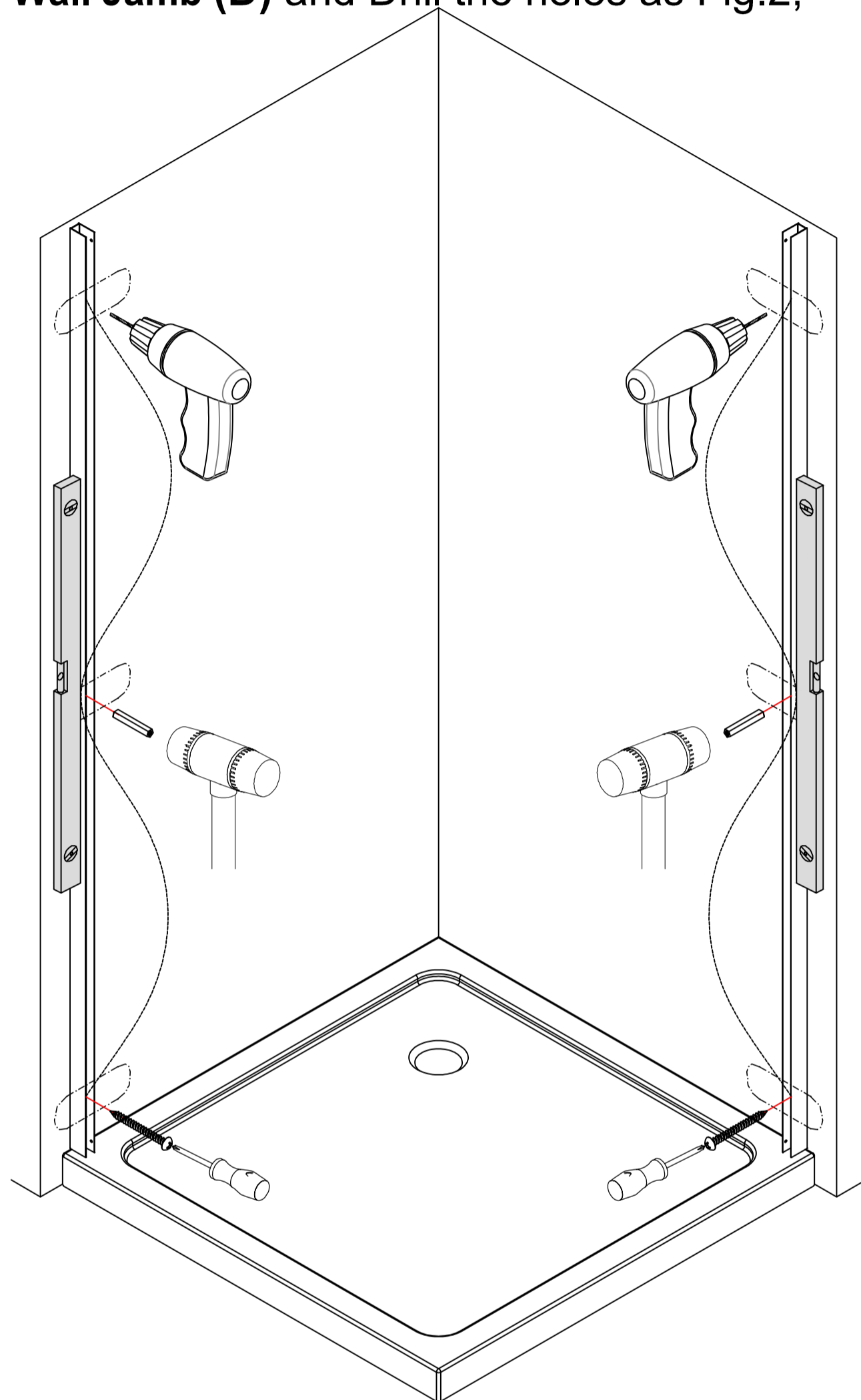
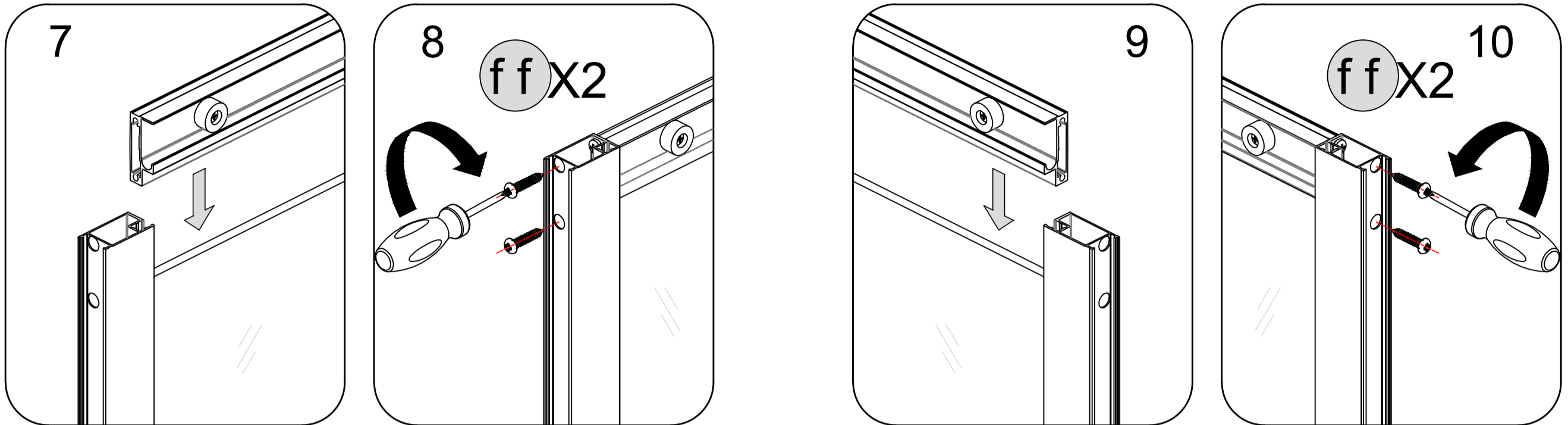


Fig 2

NOTE

- If a Stud is presented behind the wall: drill $\text{Ø}1/8''$ (3mm) pilot holes into the stud and use the ST4.0 x 30mm **Screws (aa)**
- OR
- If No Stud is presented behind the wall: drill $\text{Ø}1/4''$ (6mm) holes and insert the **Wall Anchors (bb)** and use the ST4.0 x 30mm **Screws (aa)**.

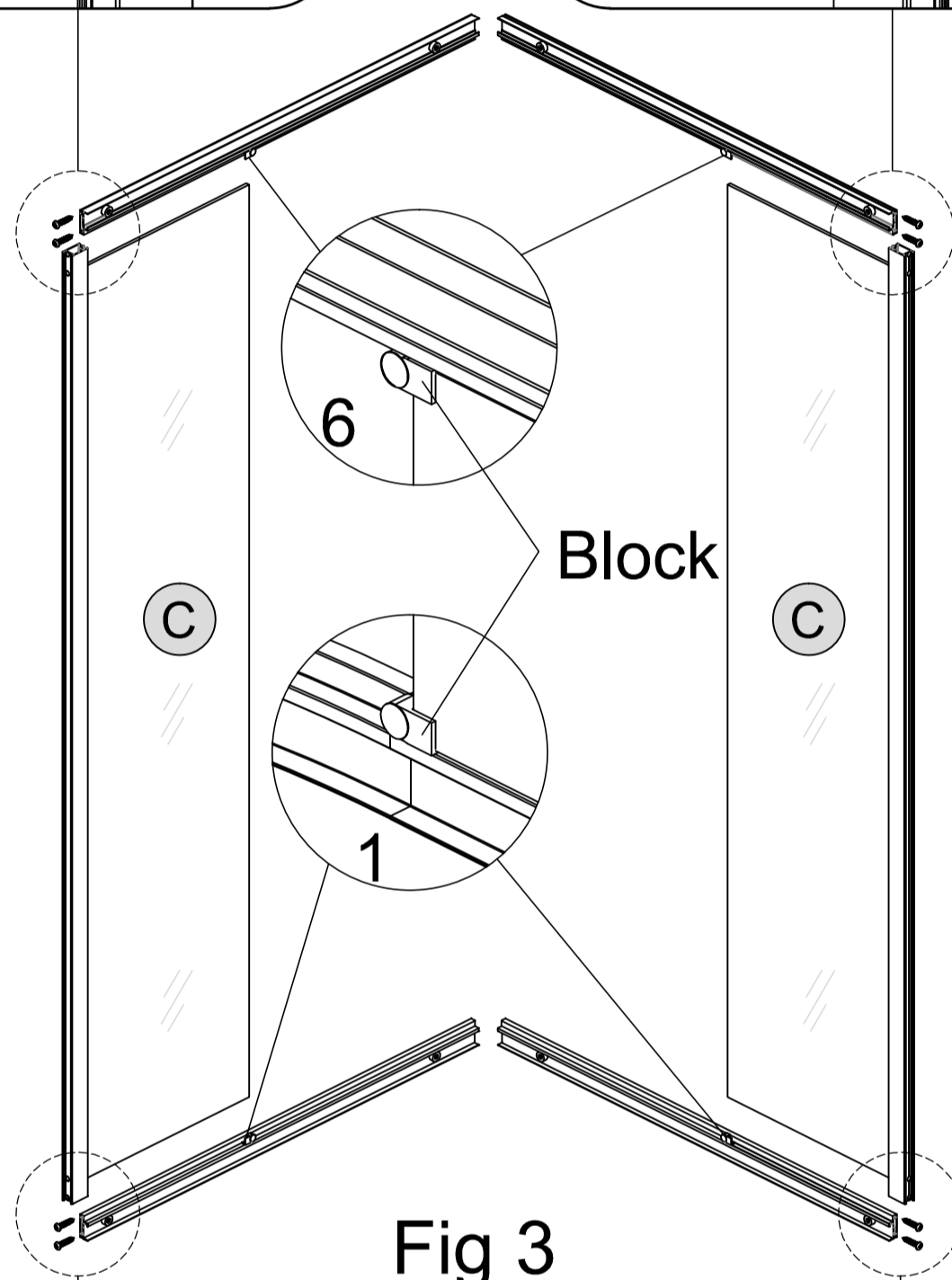
2-1 Door Frame Assembly



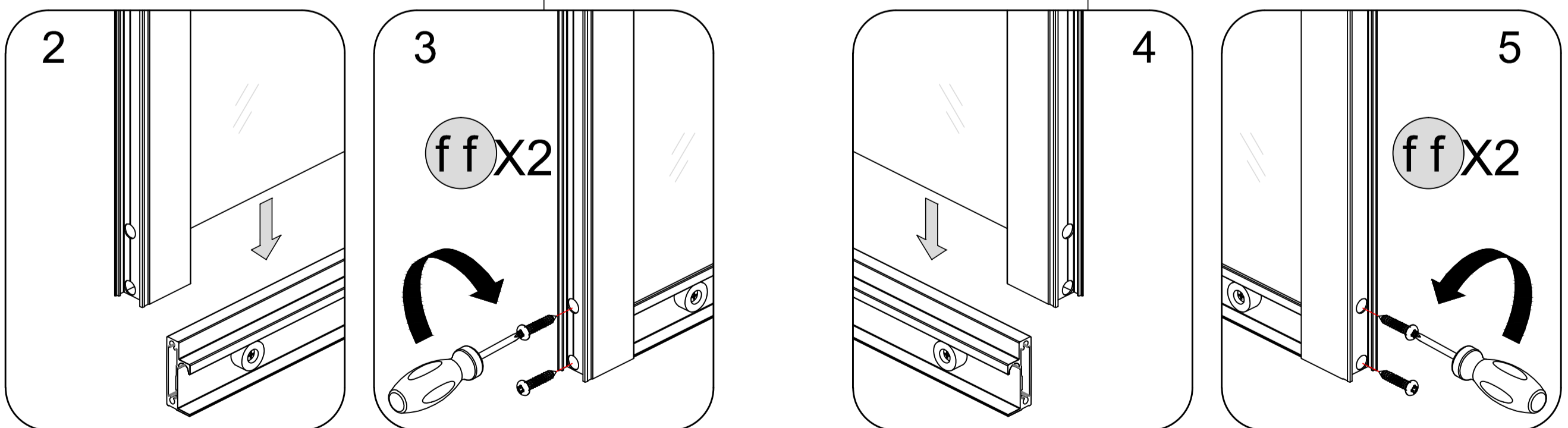
1. Place **Bottom Rail (A)** on the ground, one person gently places **Stationary glass (C)** on **Bottom Rail (A)**, and the other person locks it with **Screws (ff)**. (Fig 3.2 , Fig 3.3, Fig 3.4, Fig 3.5)

NOTE: A fixed block is used to fix the **Stationary Glass (C)**. Step 3, 5, 8, 10 can only be carried out after the glass is installed in the fixed block. (Fig 3.1 and Fig 3.6)

2. Slide **Upper Guide Rail (A)** into **Stationary Glass (C)** from above and lock it with **Screws (ff)**. (Fig 3.7 , Fig3.8, Fig3.9 and Fig3.10)



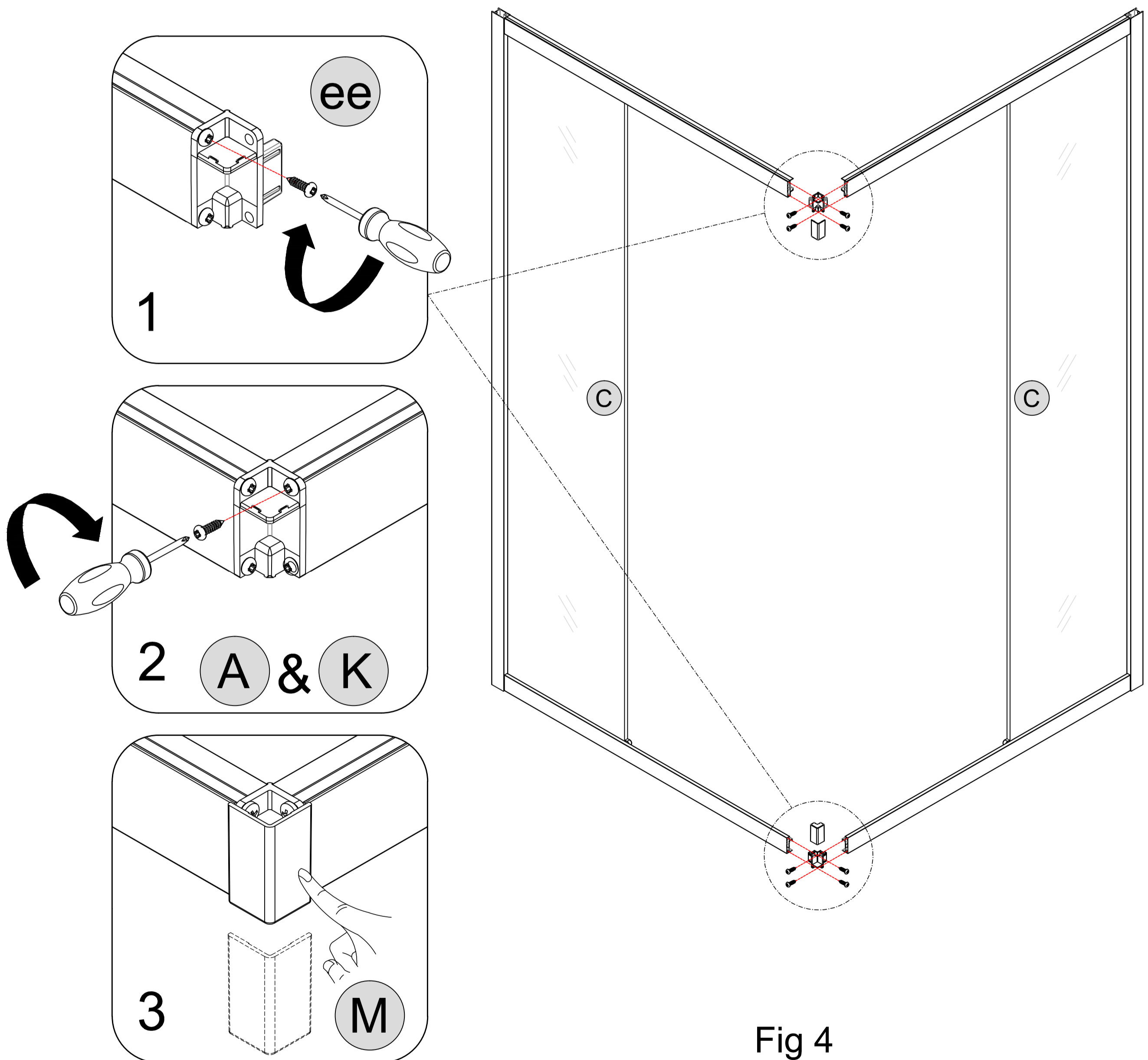
TIP: Apply a small amount of wax or liquid soap to the screws to make installation easier and to prevent stripping the screws while screwing the **Stationary Glass (C)** to the **Bottom Rail (A)**.



NOTE: **Stationary Glass(C)** in this package has been pre-assembled with the glass and Alum. profile.

2-2 Door Frame Assembly

Fasten the Rail connectors (K) to the top and bottom guide rails with the ST4.2×16 screws (ee) .(Fig 4.1 , Fig 4.2, Fig 4.3)



3 Door Frame Installation

Push the Door Frame into the **Wall Jamb (D)** mounted on the wall. (Fig 5.1 and 5.2)

NOTE

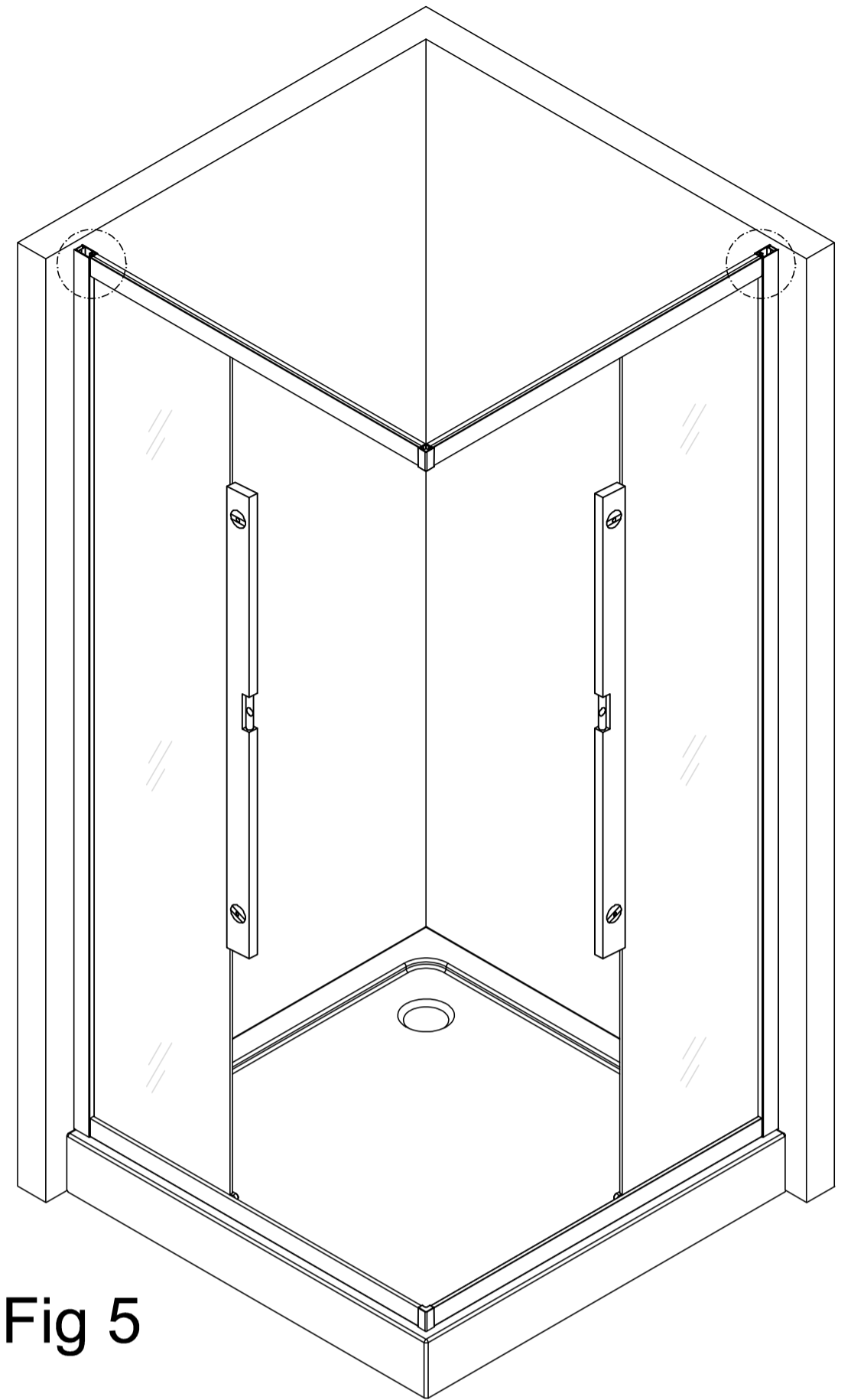
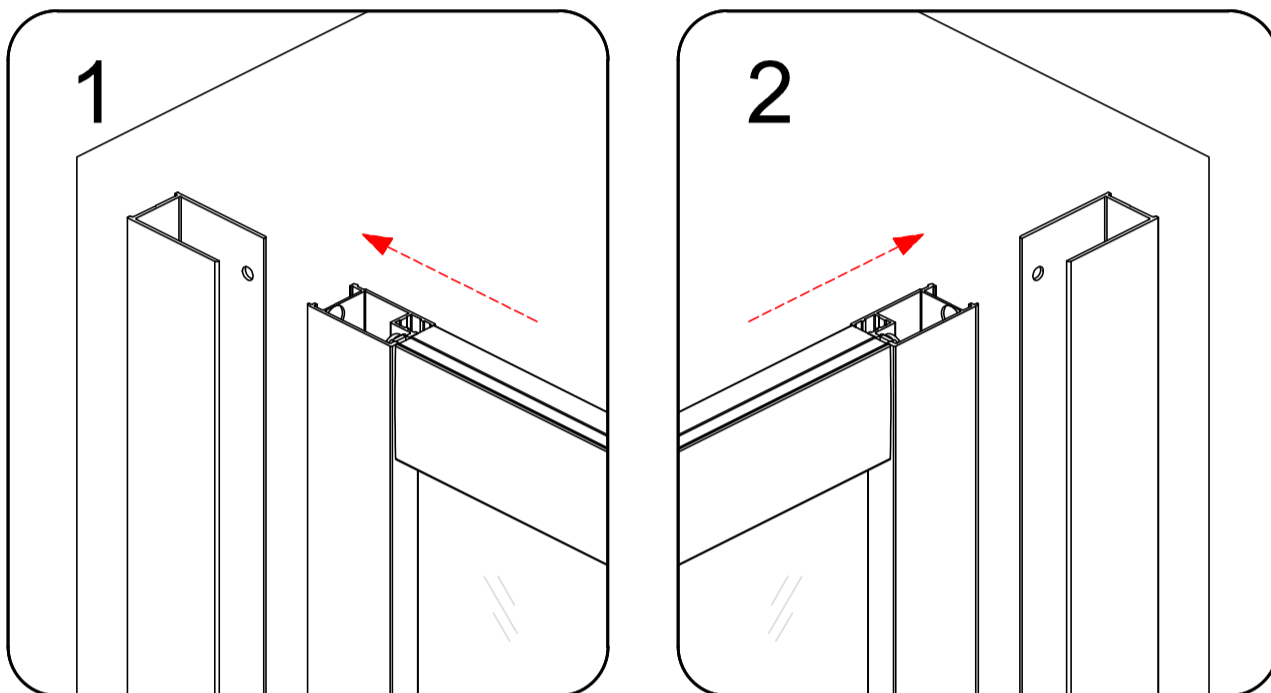


Fig 5

4 Door Frame Installation

NOTE Make final adjustments of the assembled unit within the **Wall Jamb (D)**, making the unit tight to the walls and tight to the threshold.

1. From inside of the shower area, drill 2 holes through the the Alum. profile of the **Stationary Glass (C)** into the **Wall Jamb (D)** with a $\varnothing 1/8$ " drill bit. (one hole at the top and one hole at the bottom). (Fig 6.1)

ATTENTION:
Do not drill the profile throughout, only through the first layer of the **Wall Jamb (D)** and the Alum. profile of the **Stationary Glass (C)**.

2. Secure the **Wall Jamb (D)** to the **Stationary Glass (C)** using the **Screws ST4.2×10 (dd)** and **Washers (cc)**. Cover the exposed screw heads with the **Decorative Covers (cc)**. (Fig 6.2)

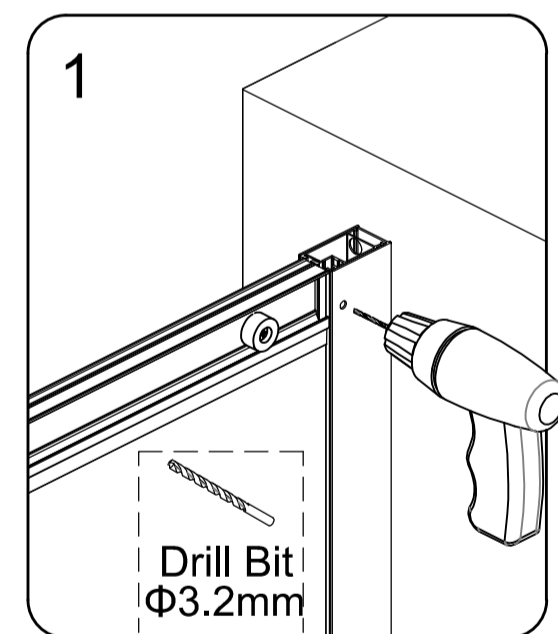


Fig 6

5 Top Roller (G)&Bottom Roller (L) Installation

Install the Top Roller (G) and the Bottom Roller (L) to the Glass Door (I), and adjust the pulley to the highest level. (Fig 7.1, 7.2, 7.3 and 7.4)

NOTE The Top Roller (G) can adjust the door level with the adjustable bolt. The Bottom Roller (L) has a press button to allow installation of the roller into Bottom Rail (A).

NOTE The adjustable bolt of the Top Roller (G) and the press button of the Bottom Roller (L) should be pointing up.

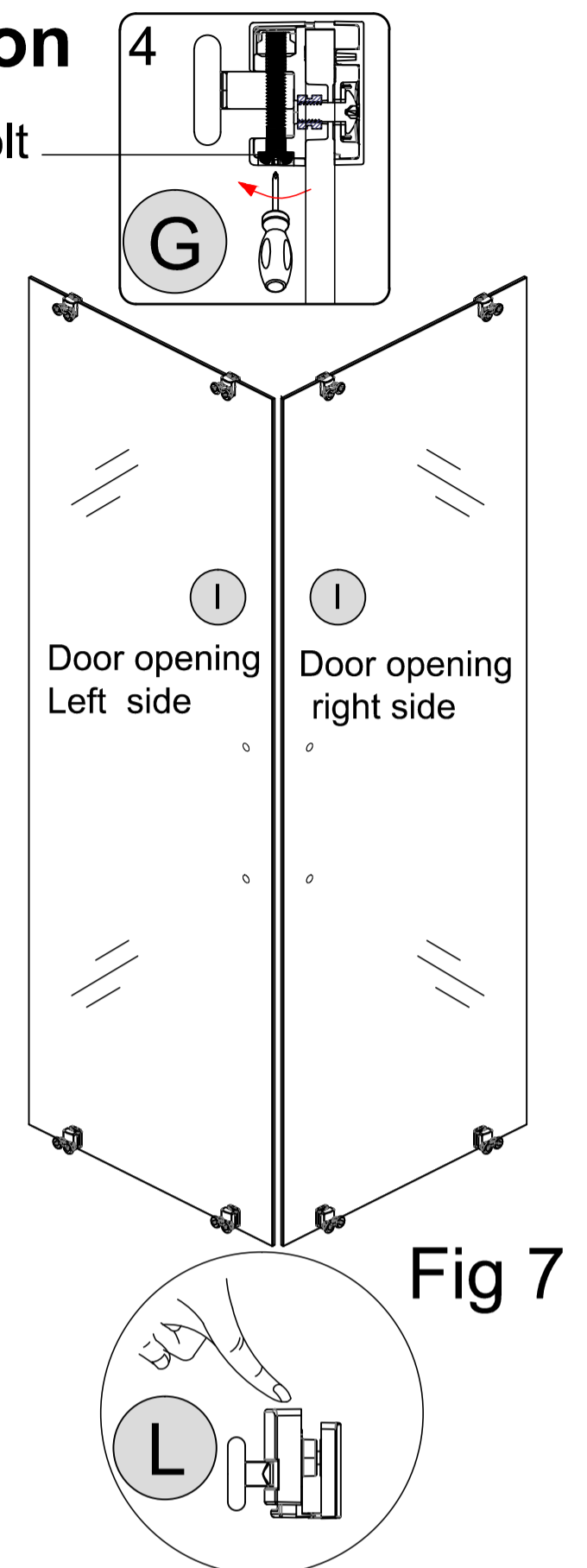
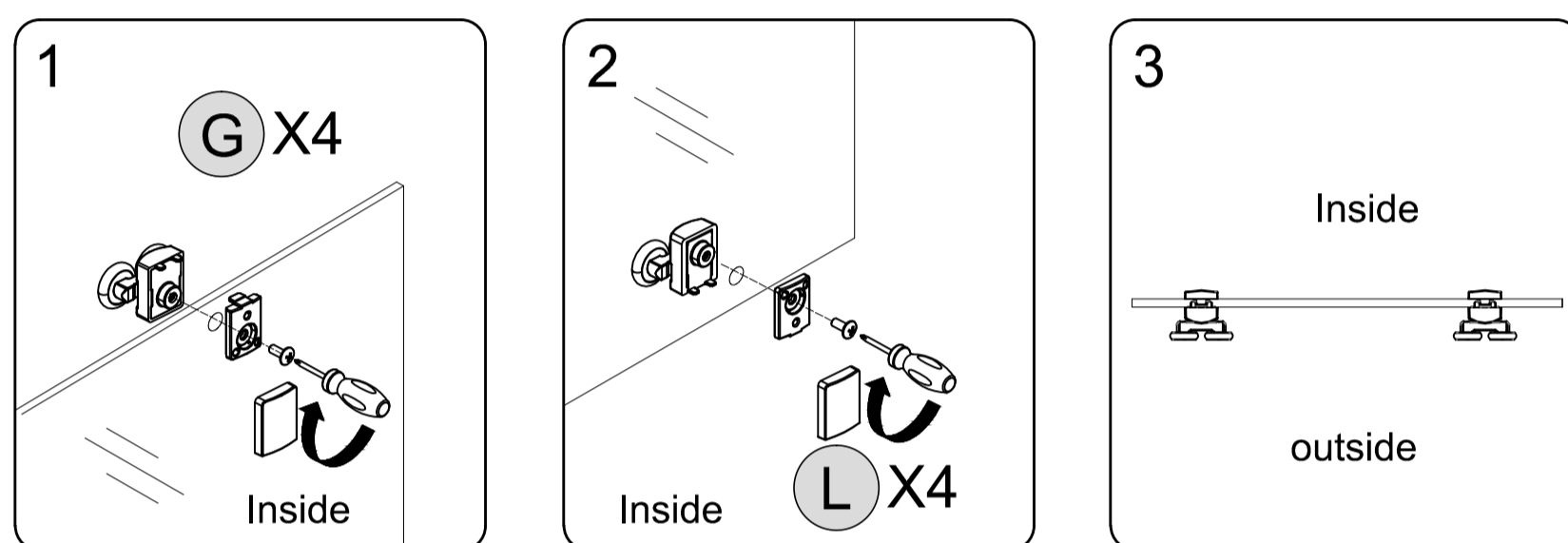


Fig 7

6 Glass Door Assembly Installation

1. Slide the **Top Roller (H)** into the **Top Guide rails (G)**. (Fig 8.1)

2. Push the **Bottom Rollers (L)** into the **Bottom Rail (A)** by pressing the button on the **Bottom Roller (L)**. (Fig 8.2 and Fig 8.3)

3. When Glass Door Assembly is installed, use a hand screwdriver, rotate right to adjust the **Top Roller (G)** to raise the **Glass Door (I)**, so as to prevent the wheel from falling off from the track during use. (Fig 8.4)

NOTE:
If step #2 is not successful, use a hand screwdriver, rotate left (do not use a power screwdriver) to adjust the **Top Roller (G)** to lower the **Glass Door (I)** so that you can push the **Bottom Rollers (L)** into the **Bottom Rail (A)**. (Fig 8.4)

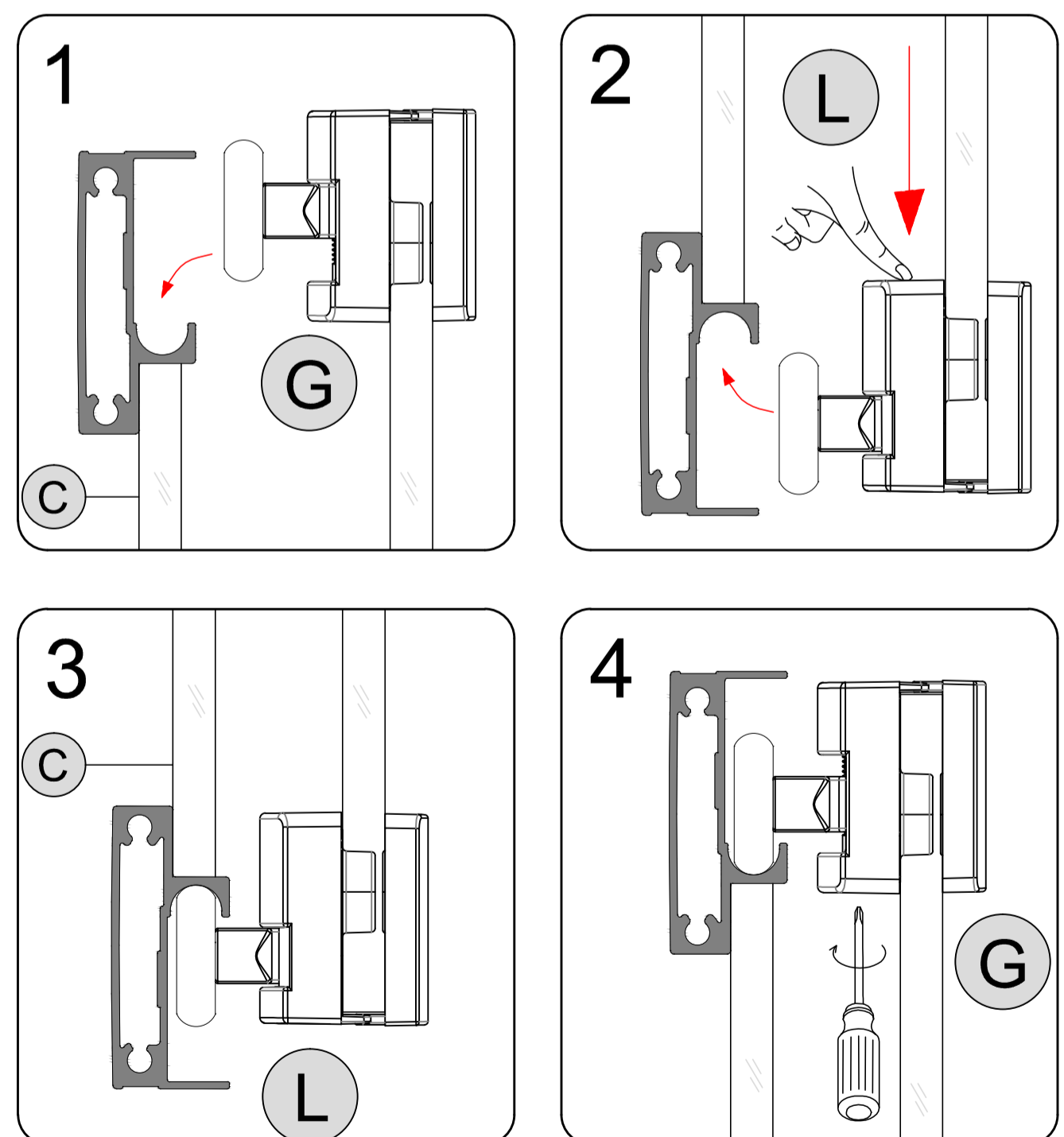
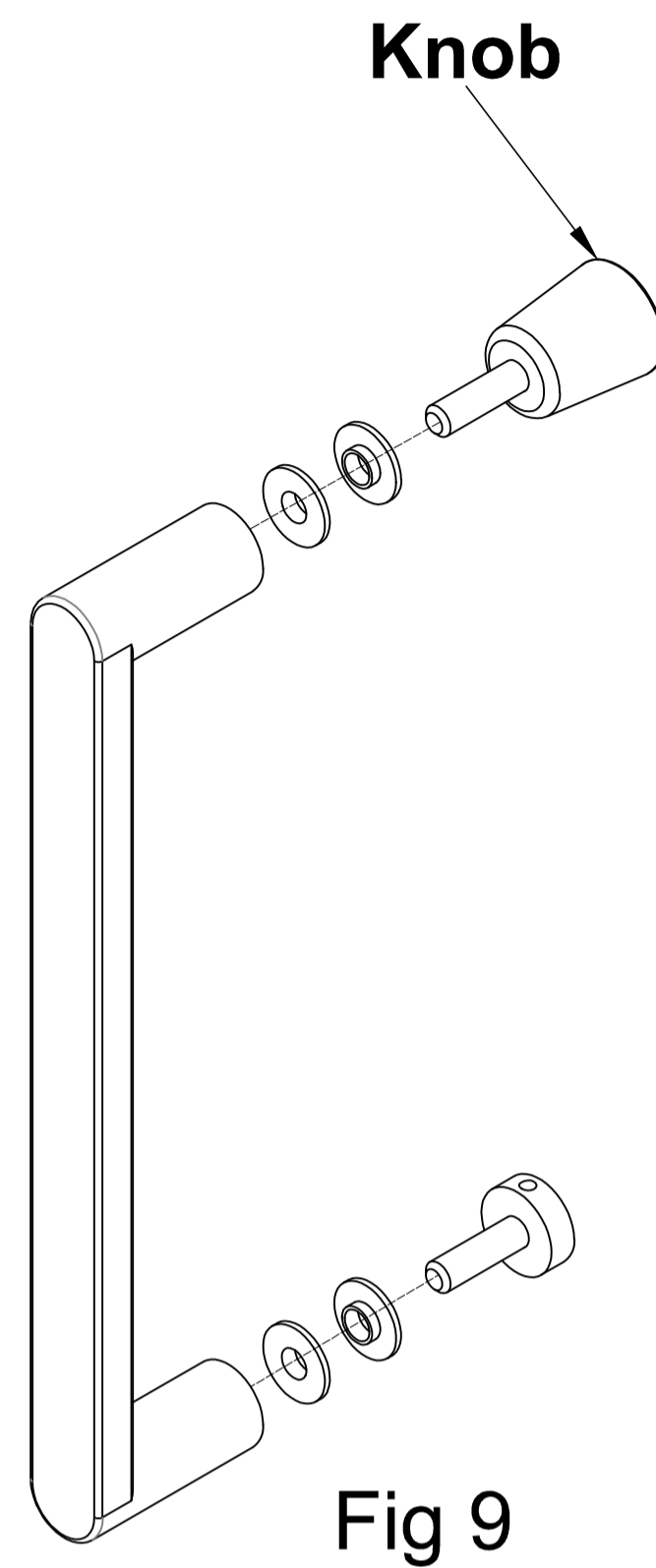
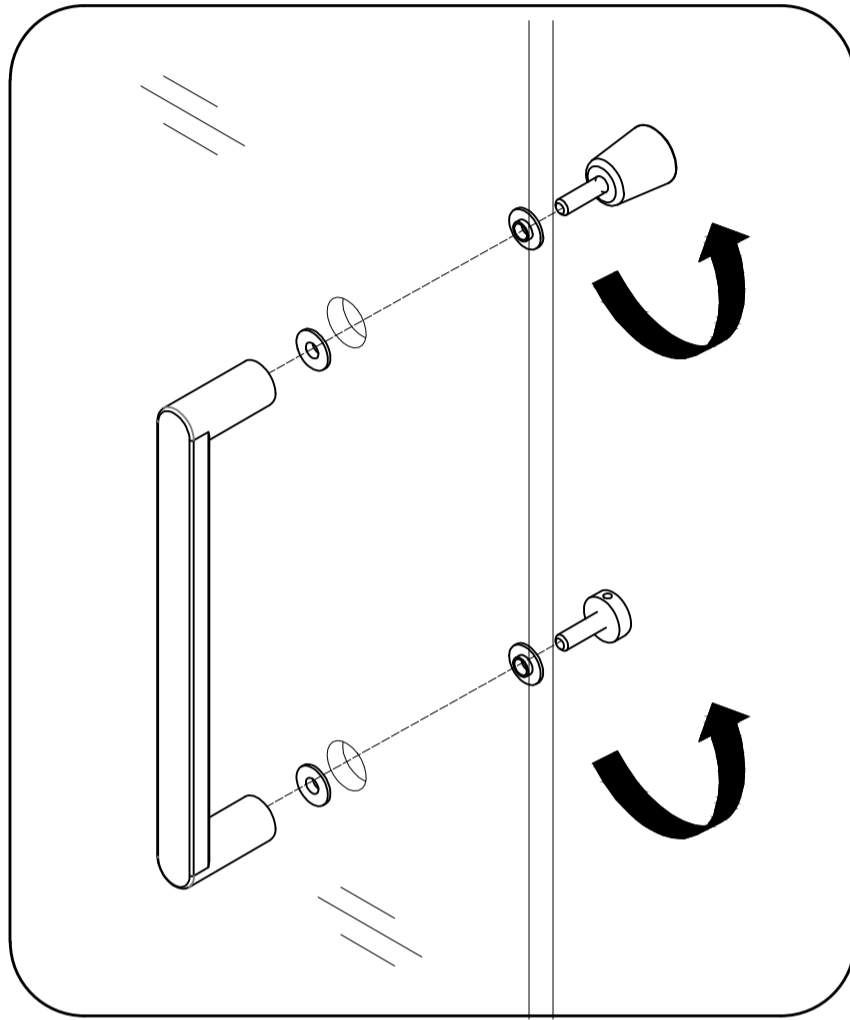


Fig 8

7 Handle(J) Installation

Install the **Handle (J)** onto the outside of the **Glass Door (K)**. Place the knob upward. (Fig 9)



8 Wall Profile Cap Installation

1. Cover **Wall Profile Outside Cap (F)** on the glass profile of **Glass Profile(C)**. (Fig 10.1)
2. Cover **Wall Profile Inner Cap (E)** on the **Wall Profile Outside Cap (F)**. (Fig 10.2)

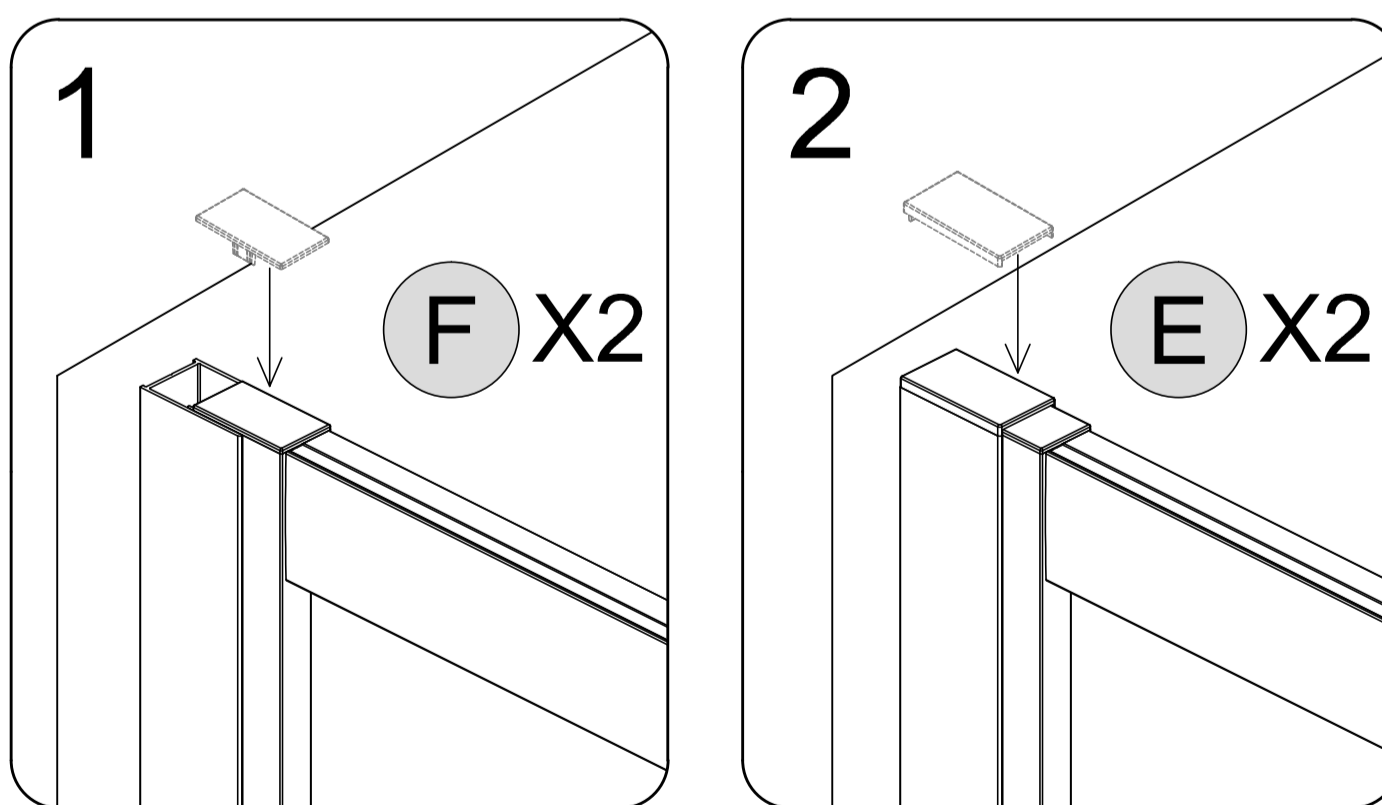


Fig 10

9 Anti-Water Strip(B)&Magnetic Strip(I) Installation

1. Press the **Anti-Water Strip(B)** onto the vertical edge of the **Stationary Glass (C)** and both vertical edge of the **Glass Door (K)** (the shorter strip attach to the panel glass and the longer strips onto the doors). (Fig 11.1)
2. Press the **Magnetic Strip (I)** onto the vertical edge of both **Glass Door (K)** for a tight seal. (Fig 11.2)

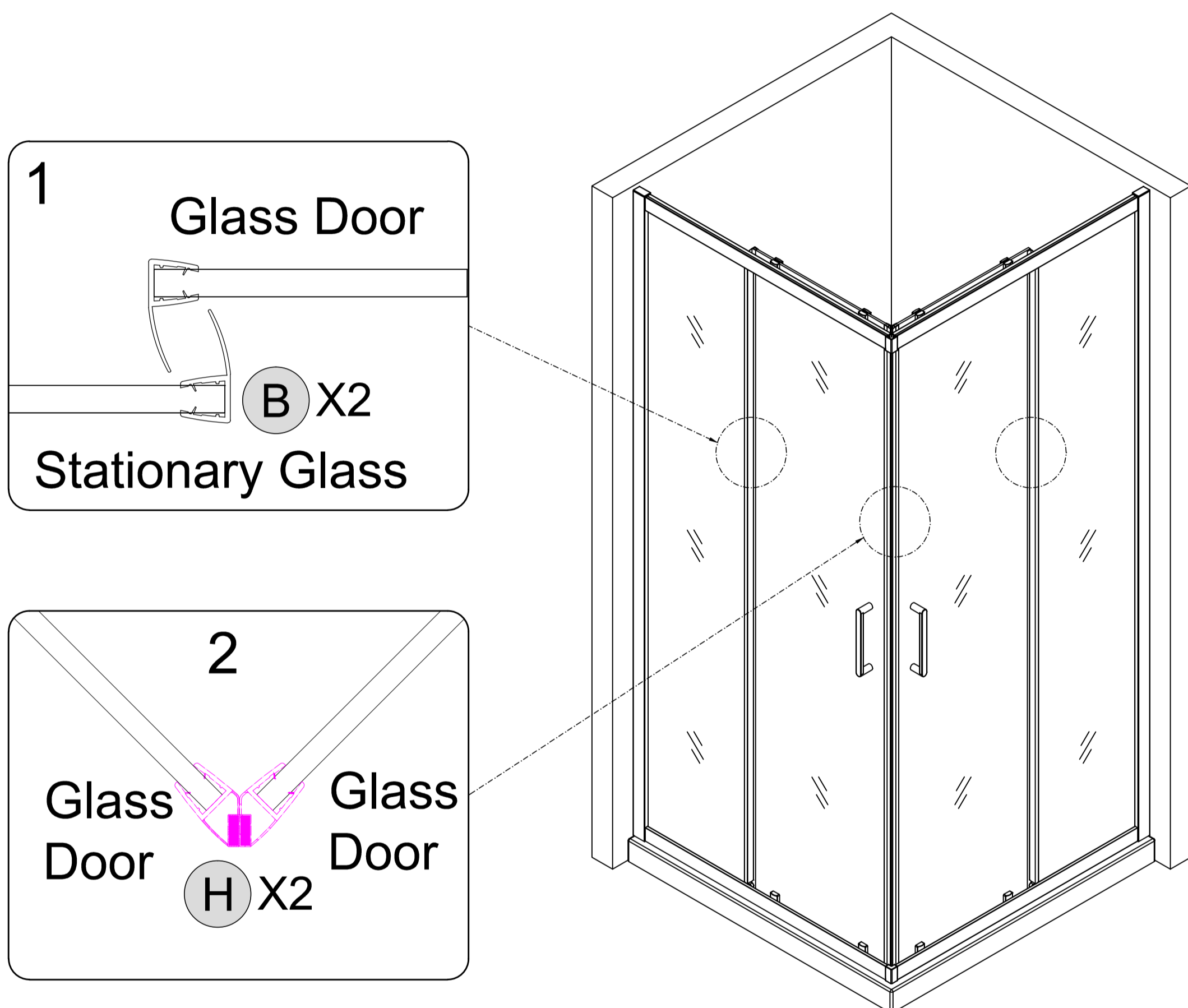


Fig 11



When all parts are installed, the **Magnetic Strip (I)** cannot be perfectly closed when closing the door. The **Magnetic Strip (I)** can be perfectly closed by adjusting the steps shown in **Fig 8.4**.

NOTE: The glass cannot be lowered too much to prevent the wheel from breaking away from the track during use.

10 SEALING



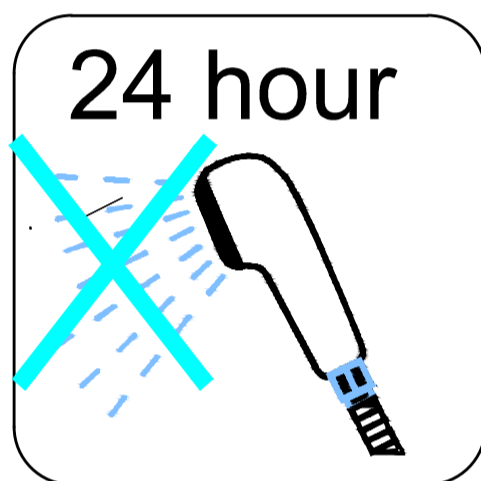
The surfaces need to be clean and free of debris before applying silicone.

Ensure that the Shower door closes tightly and opens smoothly.

Apply a good quality silicone sealant along the Wall jamb (D) and bottom Rail (A).



Allow 24 hours for the silicone to cure before using the shower.



! Apply Silicone Sealant, (not supplied).

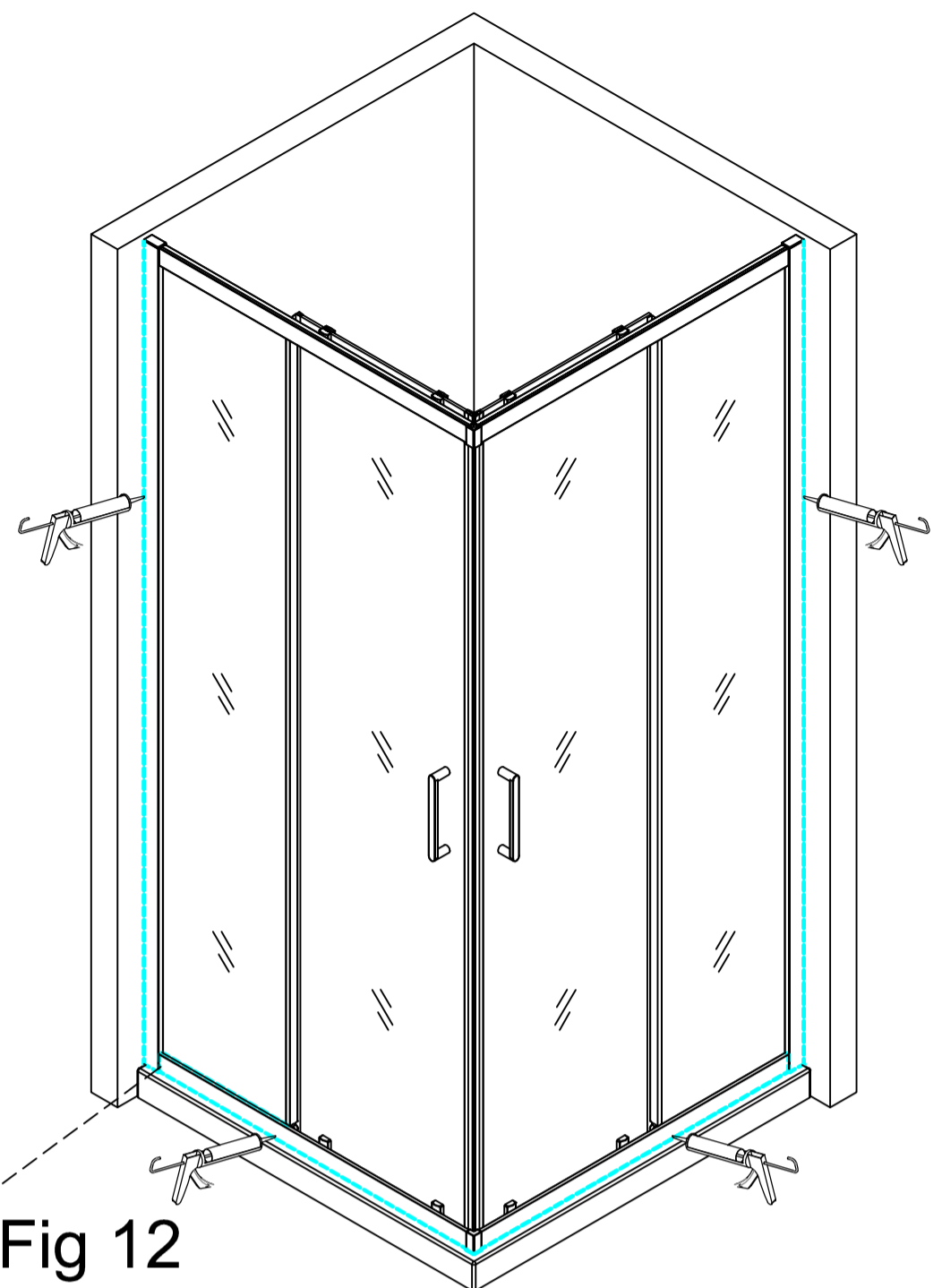
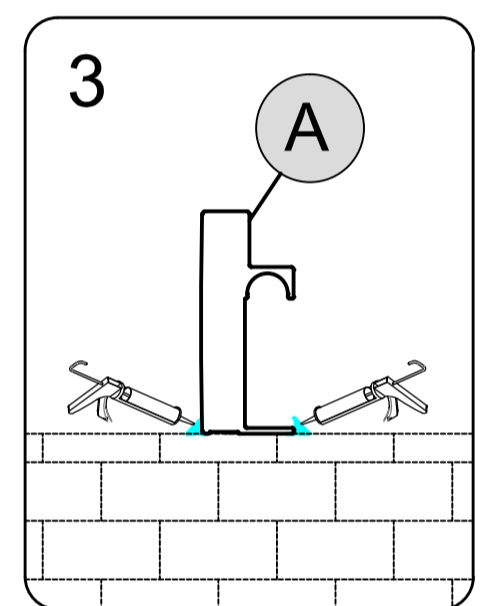
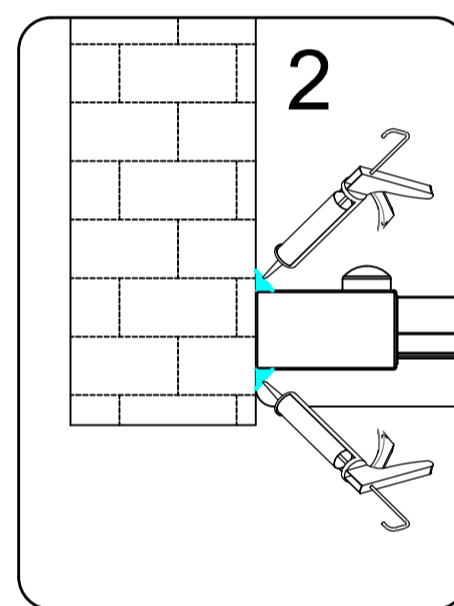
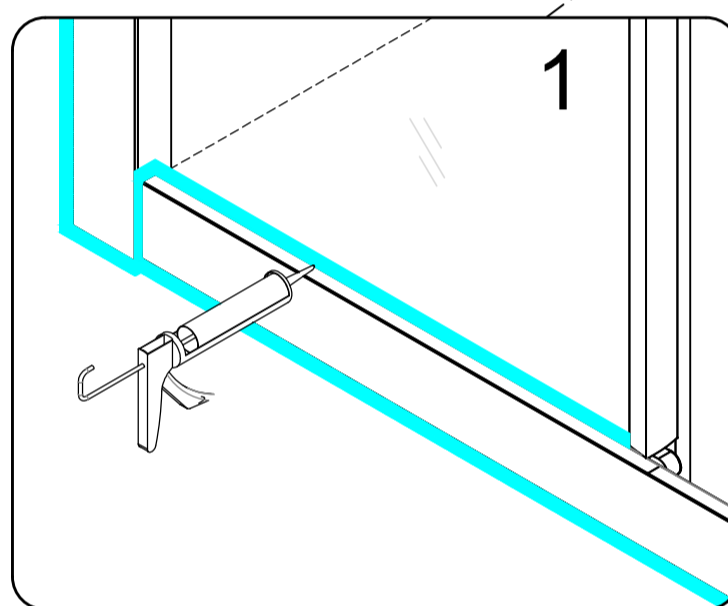


Fig 12



Apply silicone around the bottom Rail(A).

11 Complete.

