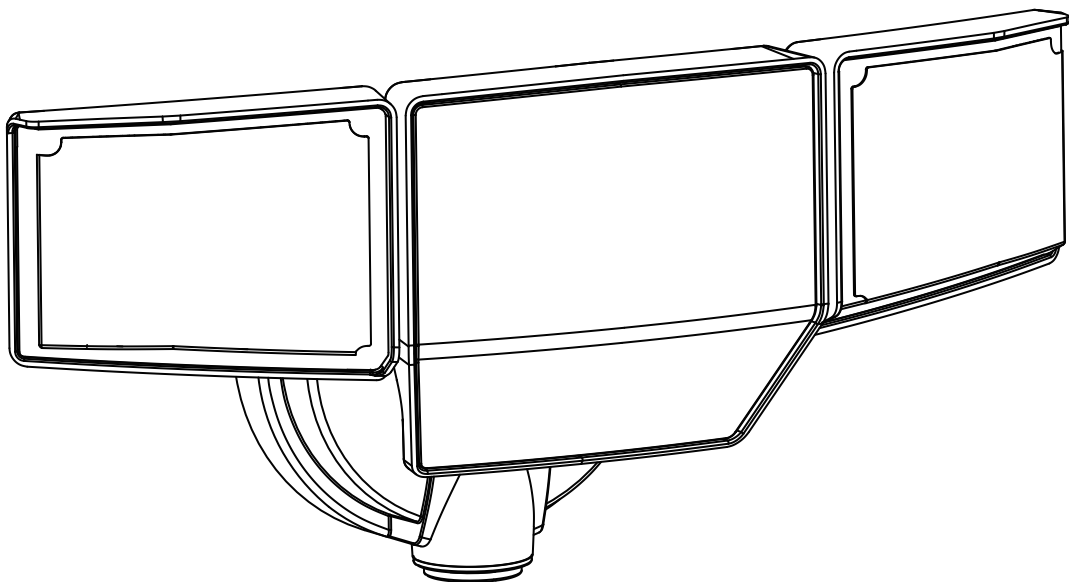




**LED FLOODLIGHT  
Owners Manual**

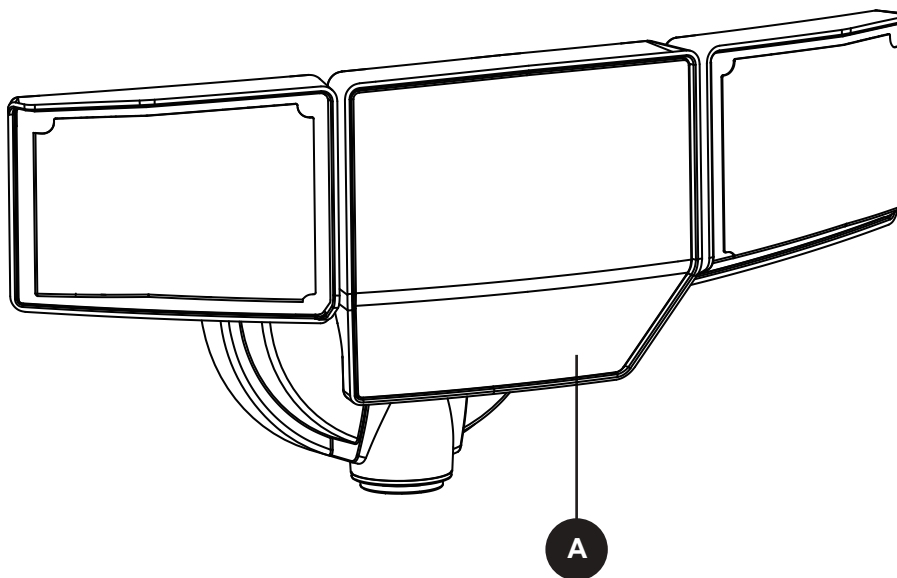
**MODEL #7632815012/7632815053/7632815412  
7632815012-2pcs/7632815053-2pcs**



**IMPORTANT,  
RETAIN FOR FUTURE REFERENCE:  
READ CAREFULLY**

# CONTENTS OF EACH LIGHT

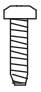




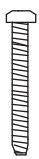

---



PART	DESCRIPTION	QUANTITY
A	Fixture	1

## HARDWARE CONTENTS (not shown actual size)

---

<b>AA</b>	<b>BB</b>	<b>CC</b>	<b>DD</b>	<b>EE</b>	<b>FF</b>	<b>GG</b>
						
Screw	Wire Nut	Mounting Plate	Rubber Plug	Foam Pad	Mounting Plate Screw	Mounting Plate Screw
Qty. 2	Qty. 3	Qty. 1	Qty. 1	Qty. 1	Qty. 1	Qty. 1

## SAFETY INFORMATION

Please read and understand this entire manual before attempting to assemble, operate or install the product.

### WARNING:

- Consult a qualified electrician if you are not certain about the installation process. Always install wiring connections in accordance with local code, ordinances and the National Electric Code.
- Changes or modifications to this unit not expressly approved by the party responsible for compliance could void the user's authority to operate the equipment.
- This light fixture is designed to fit standard junction boxes as defined by the National Electrical Code.
- This light fixture is not dimmable.

This Class B digital apparatus complies with Canadian ICES-005.

NOTICE: This equipment has been tested and found to comply with the limits for a Class B digital device, pursuant to Part 15 of the FCC Rules. These limits are designed to provide reasonable protection against harmful interference in a residential installation. This equipment generates, uses and can radiate radio frequency energy and, if not installed and used in accordance with the instructions, may cause harmful interference to radio communications. However, there is no guarantee that interference will not occur in a particular installation. If this equipment does cause harmful interference to radio or television reception, which can be determined by turning the equipment off and on, the user is encouraged to try to correct the interference by one or more of the following measures:

- Reorient or relocate the receiving antenna.
- Increase the separation between the equipment and receiver.
- Connect the equipment into an outlet on a circuit different from that to which the receiver is connected.
- Consult the dealer or an experienced radio/TV technician for help.

## PREPARATION

Before beginning to assemble or installing lighting fixture, make sure all parts are present. Compare parts with package contents list and hardware contents list. If any part is missing or damaged, do not attempt to assemble, install or operate the product.

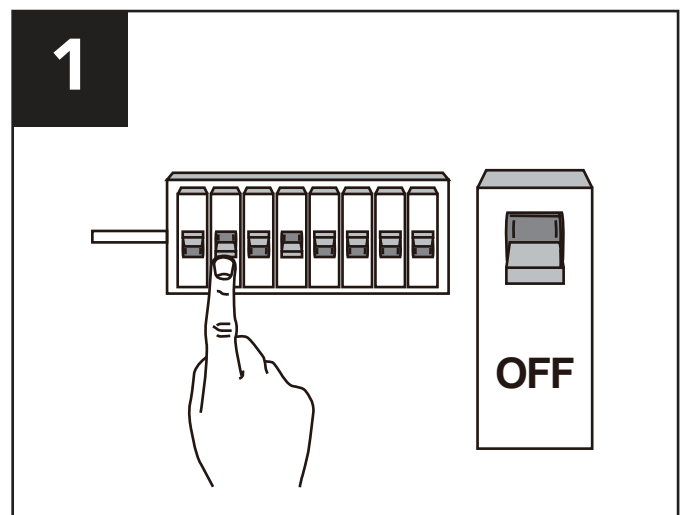
**Estimated Assembly Time: 20-30 minutes.**

**Tools Required for Assembly:** Phillips Screwdriver, Silicone Caulking Adhesive, Ladder.

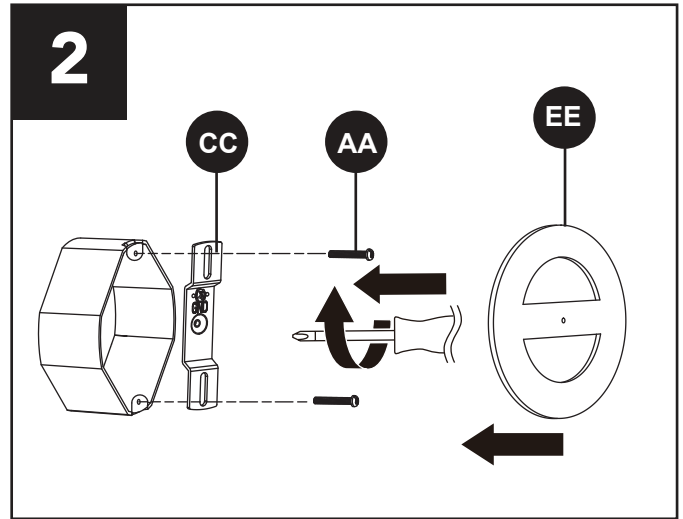
## INSTALLATION

1. Turn OFF power to work area at main circuit breaker or fuse box.

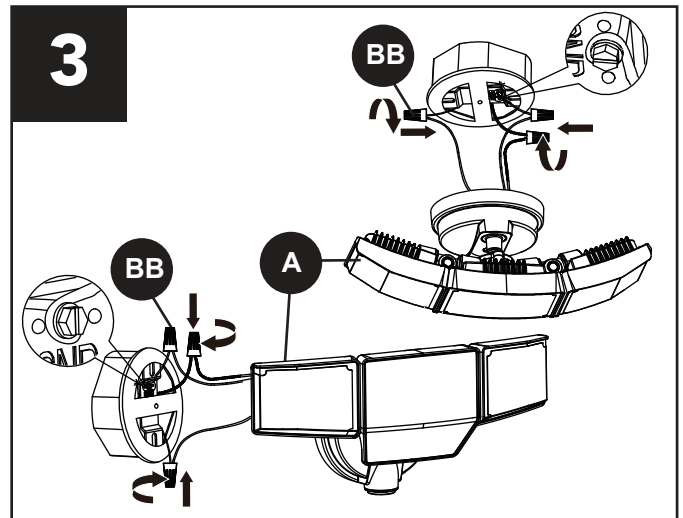
**CAUTION:** Do not rely on wall switch alone to turn off power.



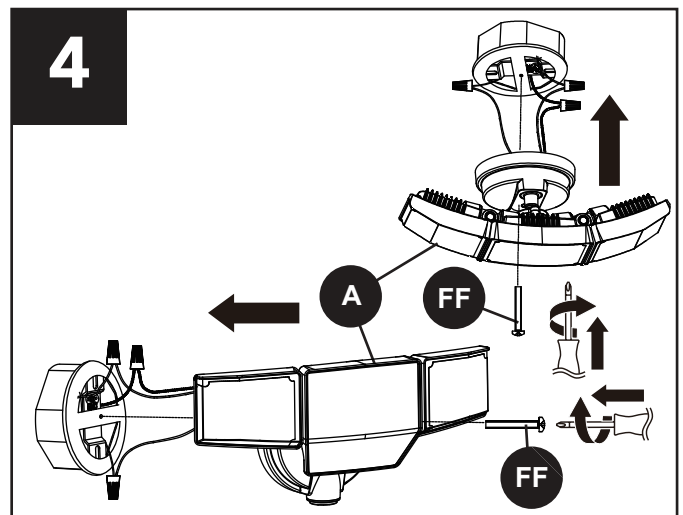
- Attach the mounting plate (CC) to the junction box (not included) using the two screws (AA). Then attach the foam pad (EE) to the mounting plate. This fixture can also be installed on the ceiling.



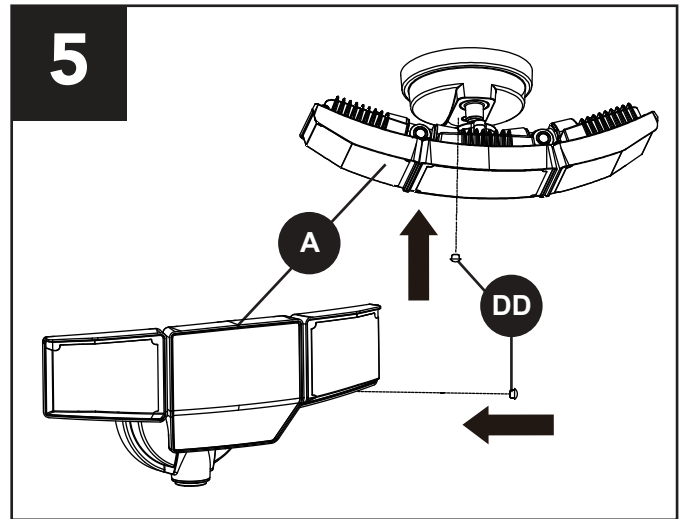
- Connect the ground wire from the junction box to the ground screw on the mounting plate. Connect the white wire from the junction box to the white wire from the light fixture by twisting a wire nut (BB) onto the bare ends of the wires. Connect the black wire from the junction box to the black wire from the light fixture by twisting a wire nut (BB) onto the bare ends of the wires.



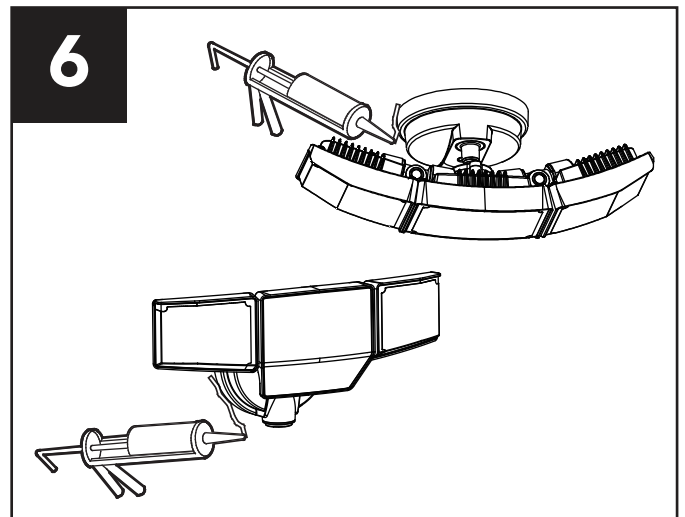
- Position all the wires inside the fixture junction box. Attach the light fixture (A) to the mounting plate using the mounting plate screw (FF/GG).



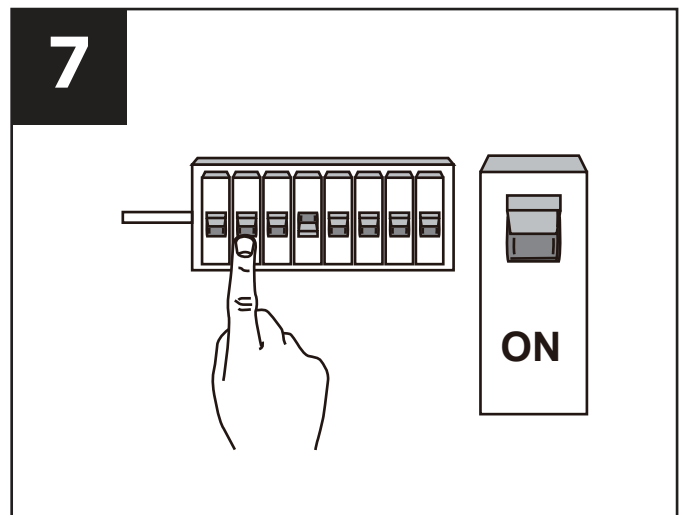
5. Insert the rubber plug (DD) to the fixture (A).



6. After mounting the fixture, apply silicone caulking compound completely around the perimeter of the cover plate where the back of the cover plate meets the mounting surface. Silicone caulking prevents water from seeping into the junction box.



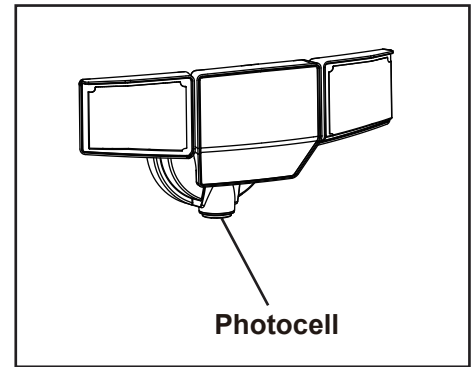
7. Turn ON power to work area at main circuit breaker or fuse box.



# OPERATING INSTRUCTIONS

The photocell in the fixture is designed to detect light and prevent the fixture from turning on when it senses daylight. At dusk, the light will turn on throughout the night until dawn. At dawn, the light will turn off throughout the day until dusk.

Note: To check if the fixture is operating properly, cover the photocell with your fingers so no daylight can reach the photocell. The light should turn on and turn off when you remove your fingers. If the fixture is installed in a shaded or covered area where there is little direct sunlight, the light may come on during the day.



# CARE AND MAINTENANCE

- Clean surfaces with a mild, non-abrasive cleaner.

# TROUBLESHOOTING

PROBLEM	POSSIBLE CAUSE	CORRECTIVE ACTION
The light will not go on.	<ol style="list-style-type: none"> <li>1. No power to light.</li> <li>2. There may be a poor connection between the light and supply wires inside the junction box.</li> <li>3. The photocell detects light or sunlight nearby.</li> </ol>	<ol style="list-style-type: none"> <li>1. Check that the circuit is on, wall switch is on, and there is power to light fixture.</li> <li>2. Check supply wire connections.</li> <li>3. Avoid light directed at the photocell at night. Cover photocell with your hand.</li> </ol>
The light comes on during the day.	<ol style="list-style-type: none"> <li>1. The fixture may be installed in a relatively dark location.</li> <li>2. There is dust on the photocell.</li> </ol>	<ol style="list-style-type: none"> <li>1. Relocate the fixture.</li> <li>2. Periodically clean the surface of the photocell with a mild, non-abrasive cleaner.</li> </ol>
The light flashes.	<ol style="list-style-type: none"> <li>1. Something is reflecting the light.</li> </ol>	<ol style="list-style-type: none"> <li>1. Relocate the fixture away from reflective surfaces.</li> </ol>

## 3-YEAR LIMITED WARRANTY

---

If this product fails due to a defect in materials or workmanship within three (3) years from the date of purchase, return it along with proof of date of purchase and it will be replaced with the same or comparable model free of charge.

This warranty is void if damage or defect has resulted from accident, abuse, misuse or faulty repair. This warranty gives you specific legal rights and you may have other rights that vary from state to state.

IN NO EVENT WILL LIABILITY EXTEND TO ANY CONSEQUENTIAL, SPECIAL, INCIDENTAL OR INDIRECT DAMAGES OF ANY KIND ARISING OUT OF THE USE OR MISUSE OF THIS PRODUCT. SOME STATES DO NOT ALLOW THE EXCLUSION OR LIMITATION OF INCIDENTAL OR CONSEQUENTIAL DAMAGES SO THE ABOVE EXCLUSION OR LIMITATION MAY NOT APPLY TO YOU.

LUTEC USA LLC:  
149B Houston Rd Troutman NC 28166  
Ningbo UTEC Electric Co.,LTD  
CN8, Far East Industry Park, Yuyao, China  
[www.lutec.com](http://www.lutec.com)  
[support@lutec.com](mailto:support@lutec.com)

**Please call our Customer Service line at 877-714-8669  
for assistance Monday - Friday 9 a.m. to 5 p.m. EST**

Printed in China