

USER'S MANUAL

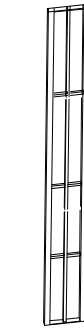
Grill Gazebo Shelter NP10385

THIS INSTRUCTION BOOKLET CONTAINS **IMPORTANT** SAFETY INFORMATION. PLEASE READ AND KEEP FOR FUTURE REFERENCE.

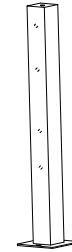


Before You Start

- ⚠ Please read all instructions carefully.
- ⚠ Retain instructions for future reference.
- ⚠ Separate and count all parts and hardware.
- ⚠ Read through each step carefully and follow the proper order.
- ⚠ We recommend that, where possible, all items are assembled near to the area in which they will be placed in use, to avoid moving the product unnecessarily once assembled.
- ⚠ Always place the product on a flat, steady and stable surface.
- ⚠ Keep all small parts and packaging materials for this product away from babies and children as they potentially pose a serious choking hazard.



A*2



B*2



B1*2



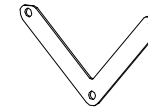
B2*4



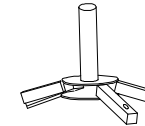
C*2



D*2



E*4



F*1



G*4



H*1



I*1



J*2



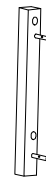
K*4



L*4



M*4



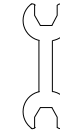
N*4



O*4



8



M6*2



80



M6*16=4



M6*35=4



M6*30=20



M6*50=4

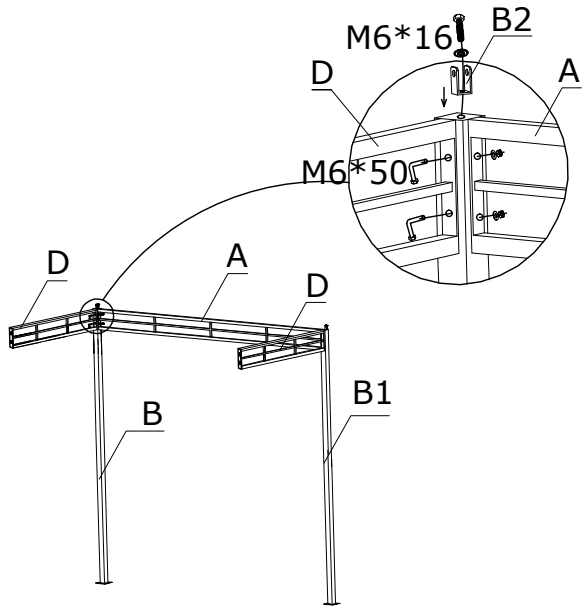


M6*65=4

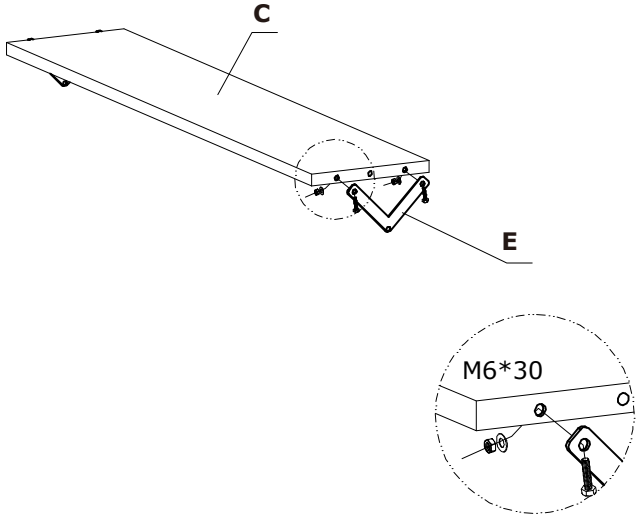


M6*50=8

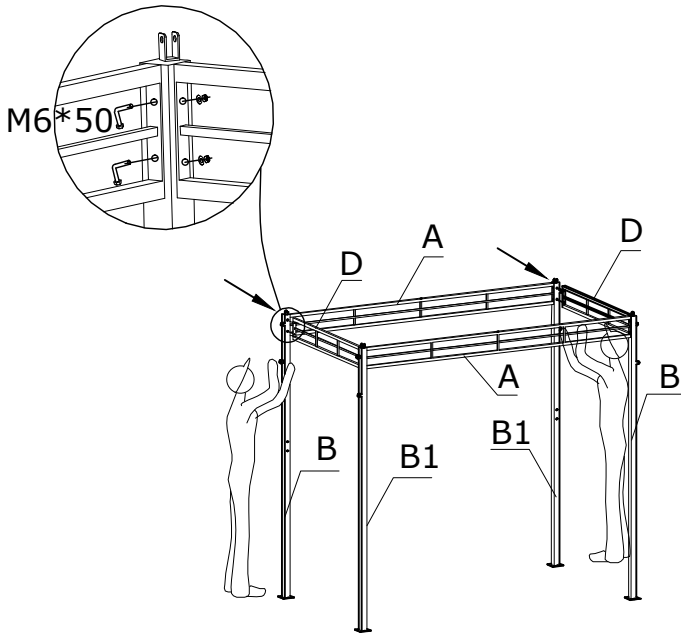
1



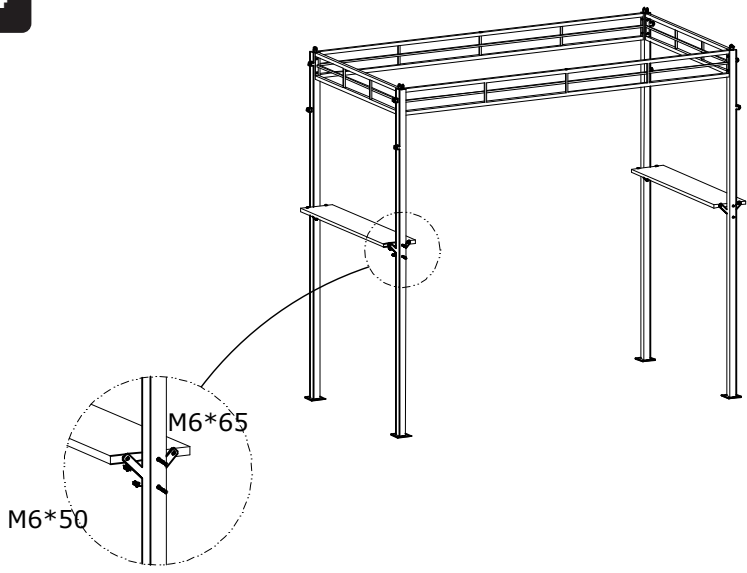
3



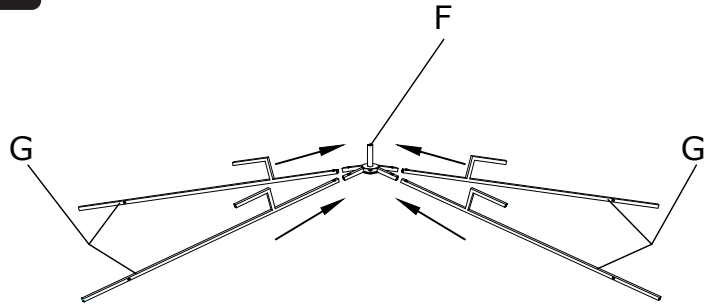
2



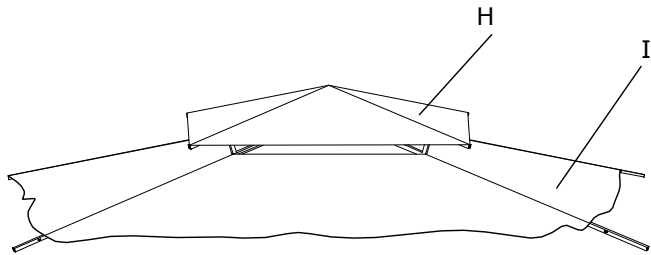
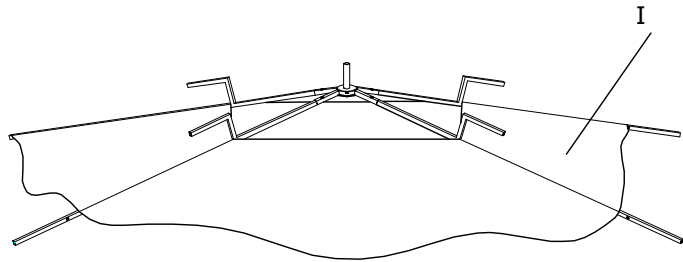
4



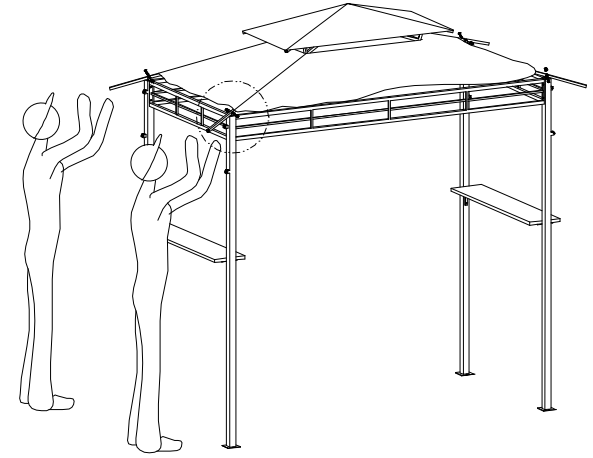
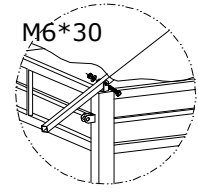
5



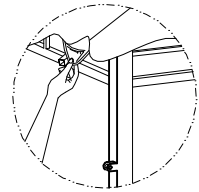
6



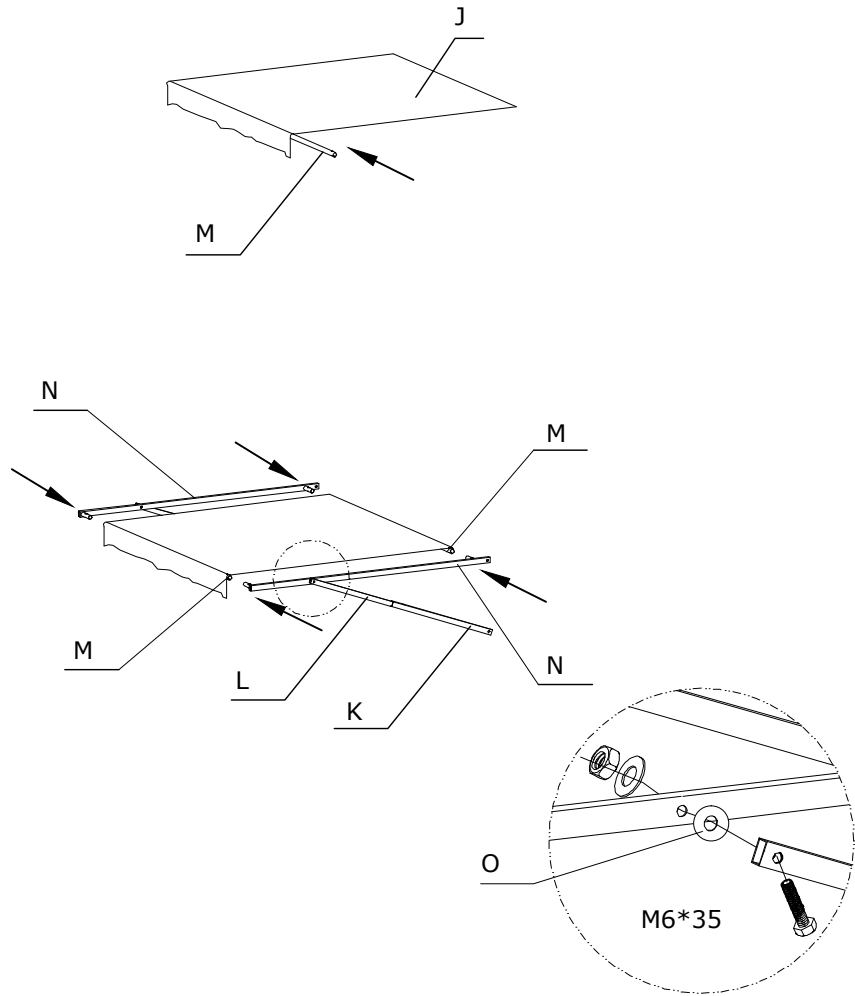
7



8



9



10

