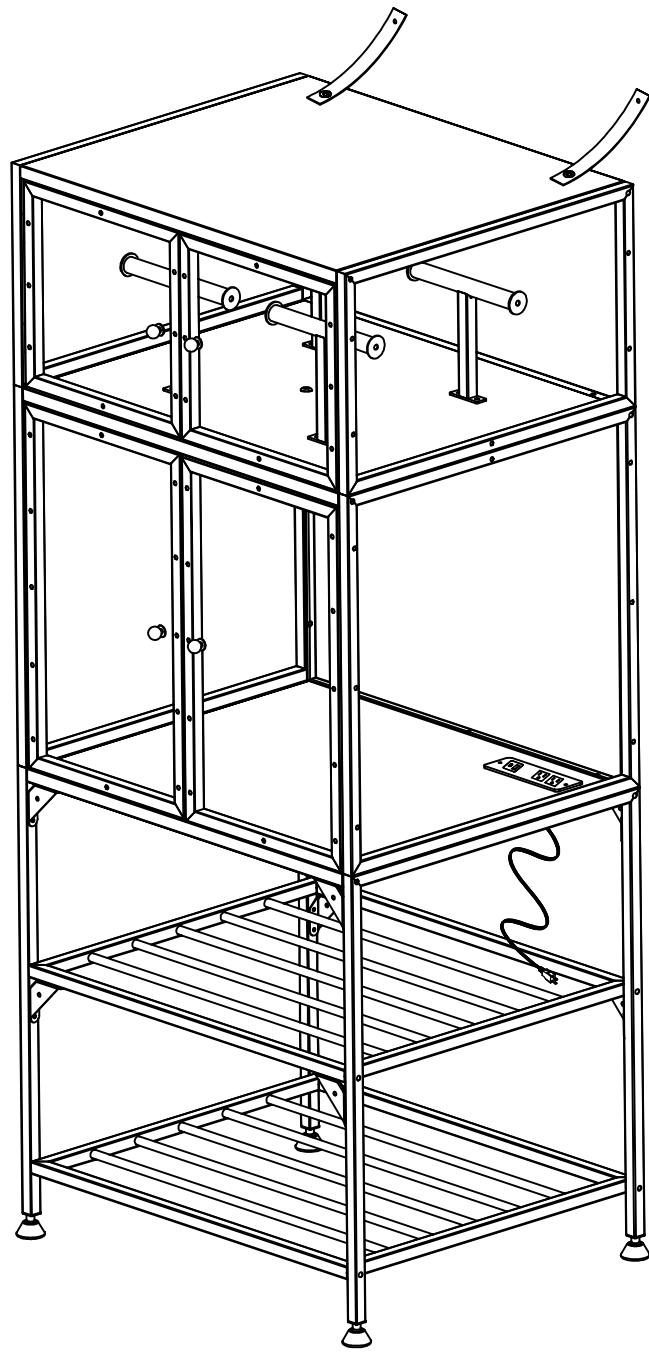
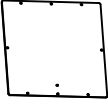
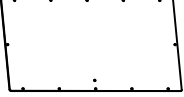
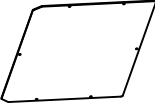

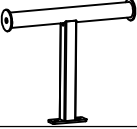

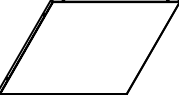

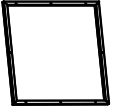

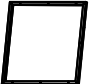
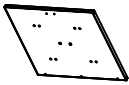



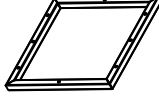

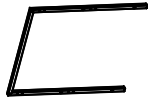



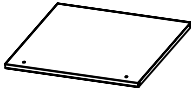


Installation Manual

3D Printer Cabinet



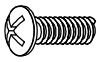

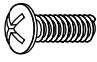
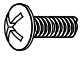

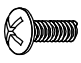

Parts List



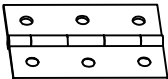




Number	Parts	Quantity
1		2PCS
2		2PCS
3		2PCS
4		2PCS
5		4PCS
6		1PC
7		1PC
8		1PC
9		1PC
10		1PC
11		1PC
12		1PC
13		1PC

Number	Parts	Quantity
14		2PCS
15		2PCS
16		2PCS
17		1PC
18		1PC
19		8PCS
20		1PC
21		2PCS
22		1PC

Hardware List

- Carefully remove all the parts from the carton and place them individually on a softcloth to prevent scratches or other damage.
- Carefully and strictly follow these assembly&installation instructions to ensure acompleted product as designed.
- Do not tighten all the screws until each part is properly assembled.

Number	Parts	Quantity
A	 M6x14	10PCS
B	 M6x35	28PCS
C	 M5x14	48PCS
D	 M4x10	68PCS
E	 M3x8	34PCS
F	 M4x8	8PCS
G		2PCS

Number	Parts	Quantity
H		4PCS
I		4PCS
J		8PCS
K		4PCS
L		2PCS
M	 M4x16	2PCS
N	 M6x20	2PCS

WARNING

FURNITURE TIPPING-OVER COULD RESULT IN INJURY OR DEATH TO THE INSTALLER.

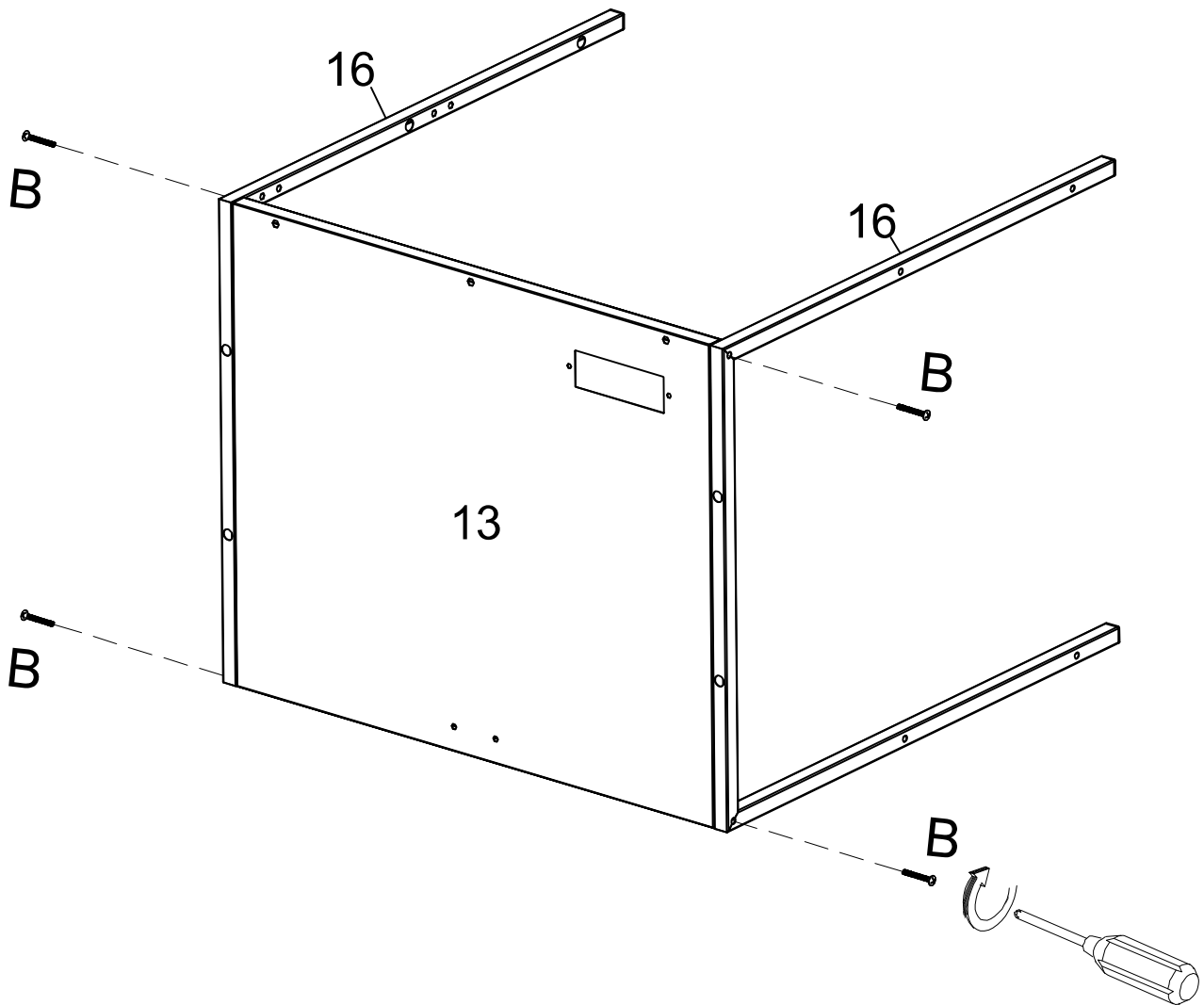
ALWAYS SECURE THIS PRODUCT PERMANENTLY TO THE WALL.



Step 1



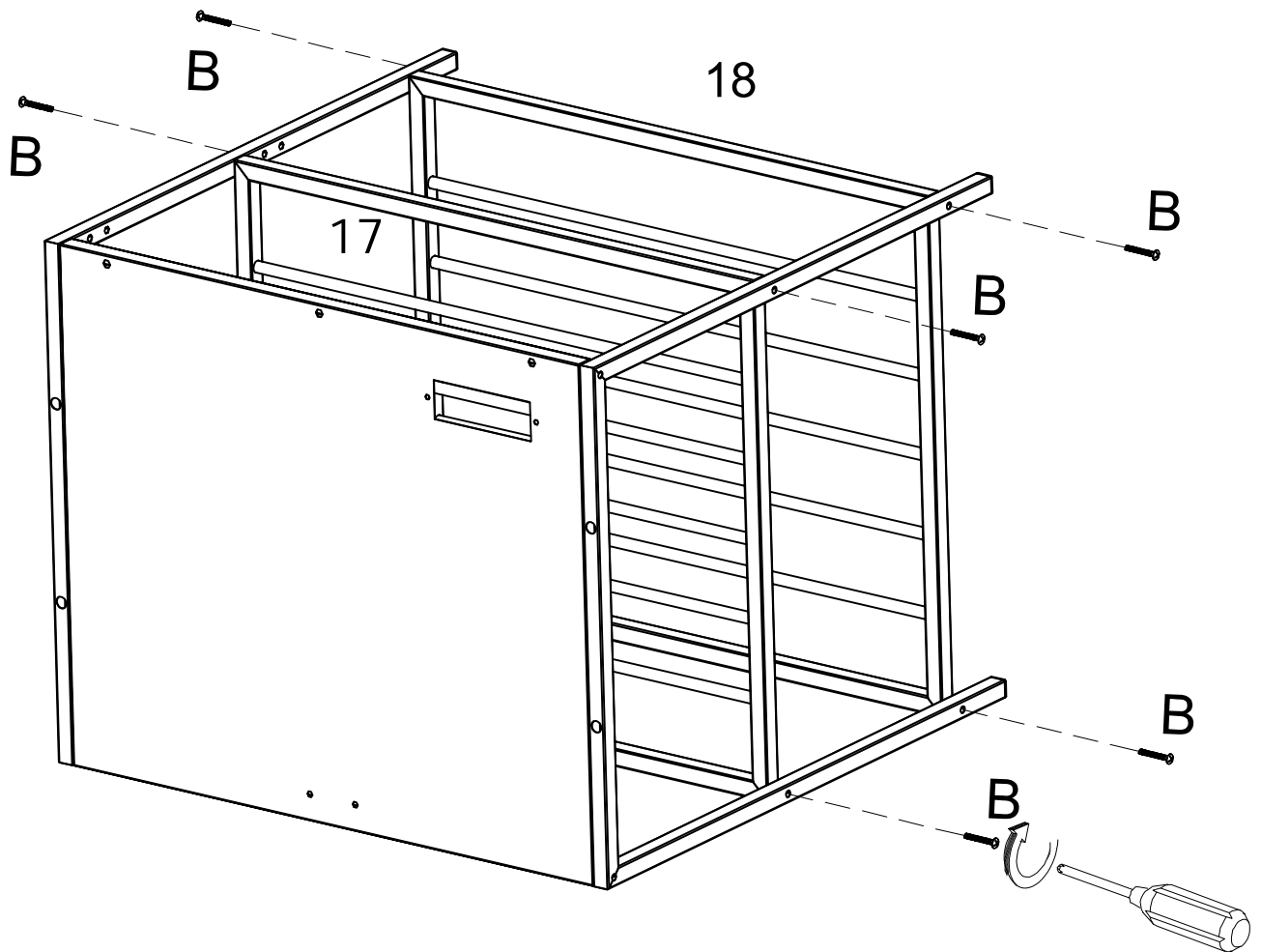
B x 4



Step 2



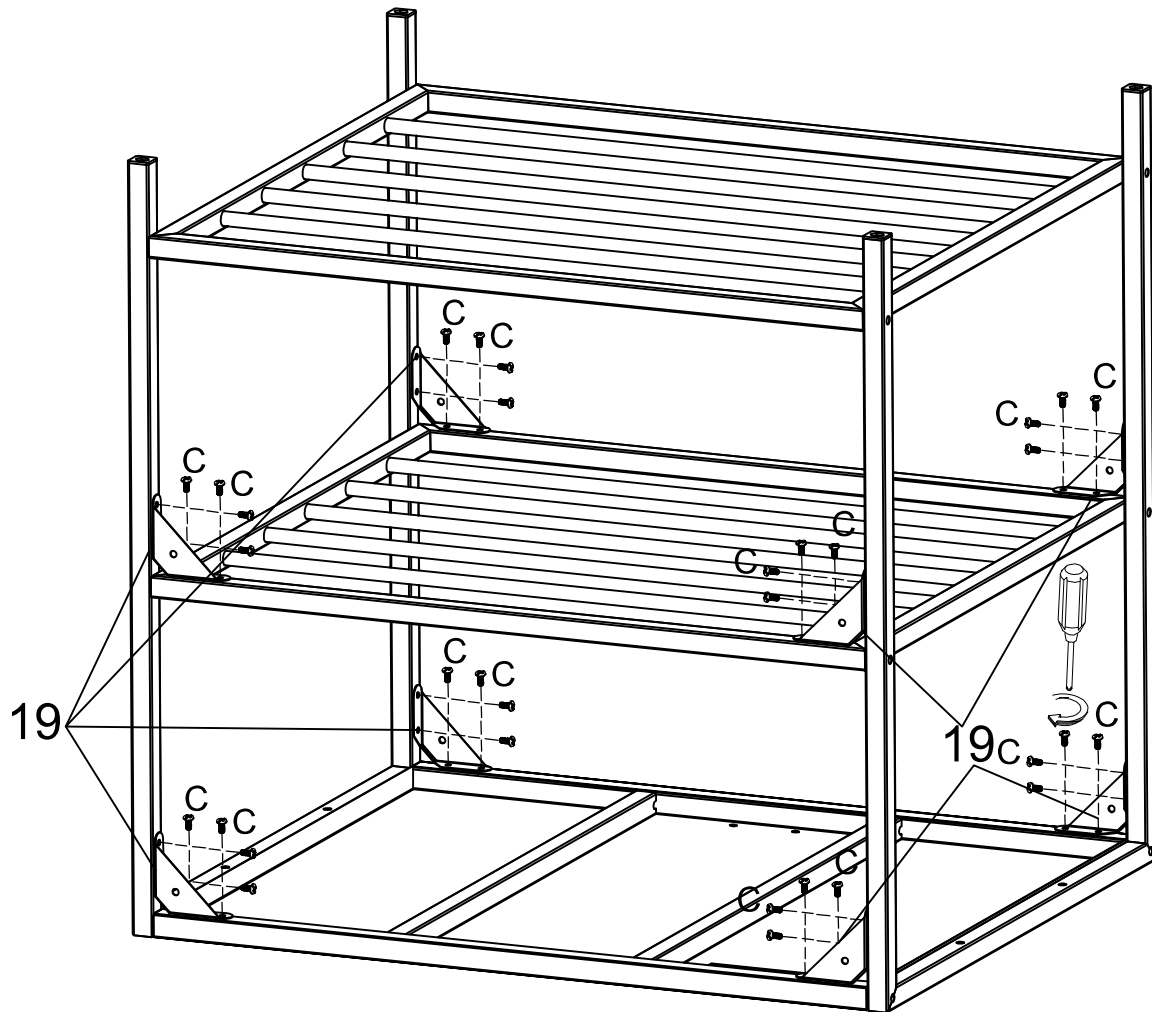
B x 8



Step 3



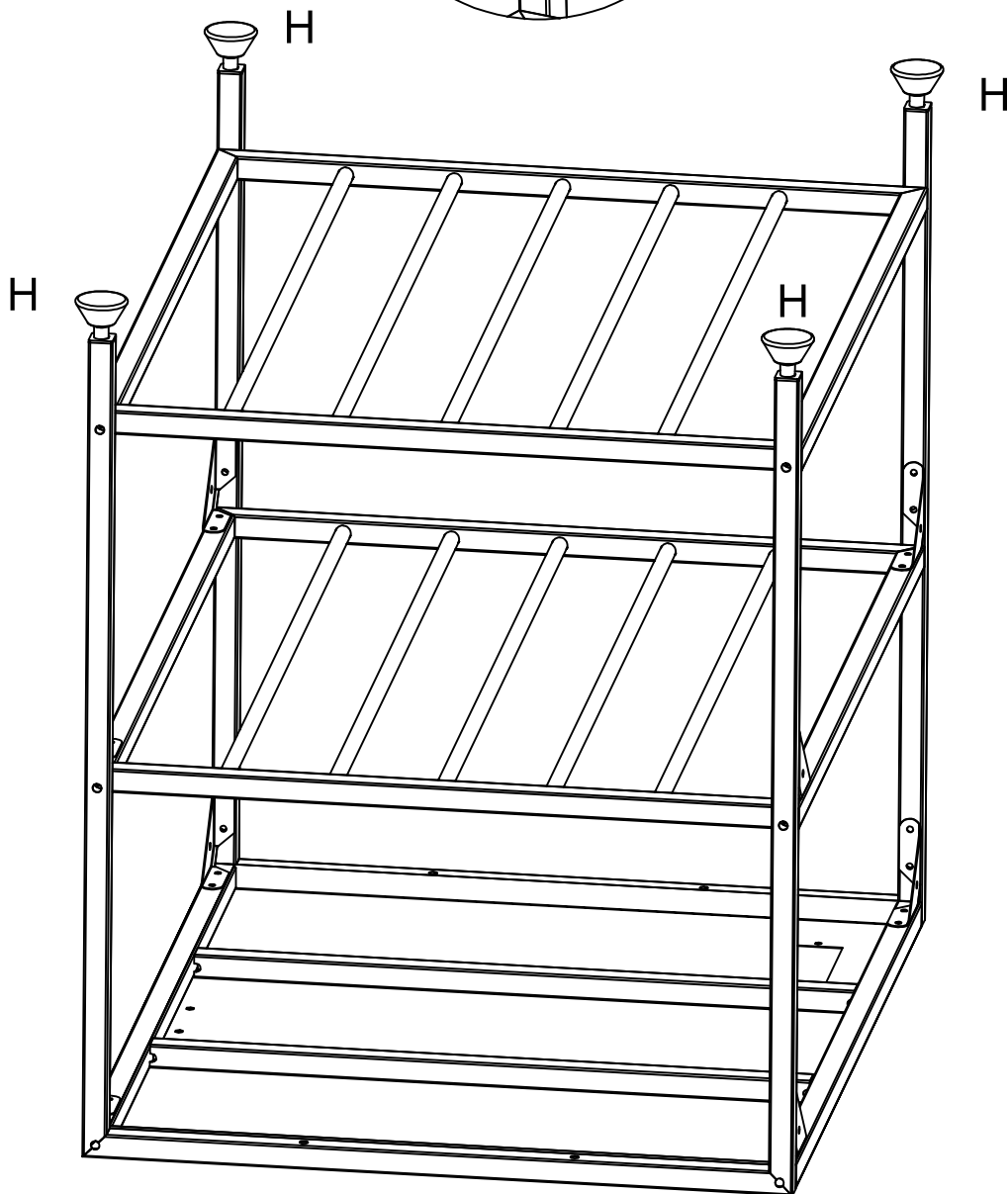
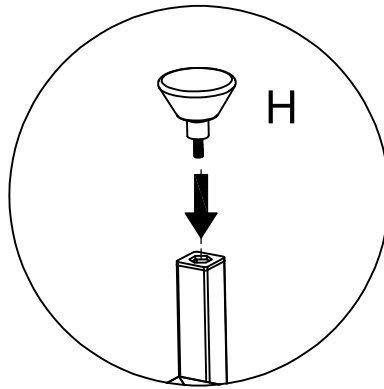
C x 32



Step 4



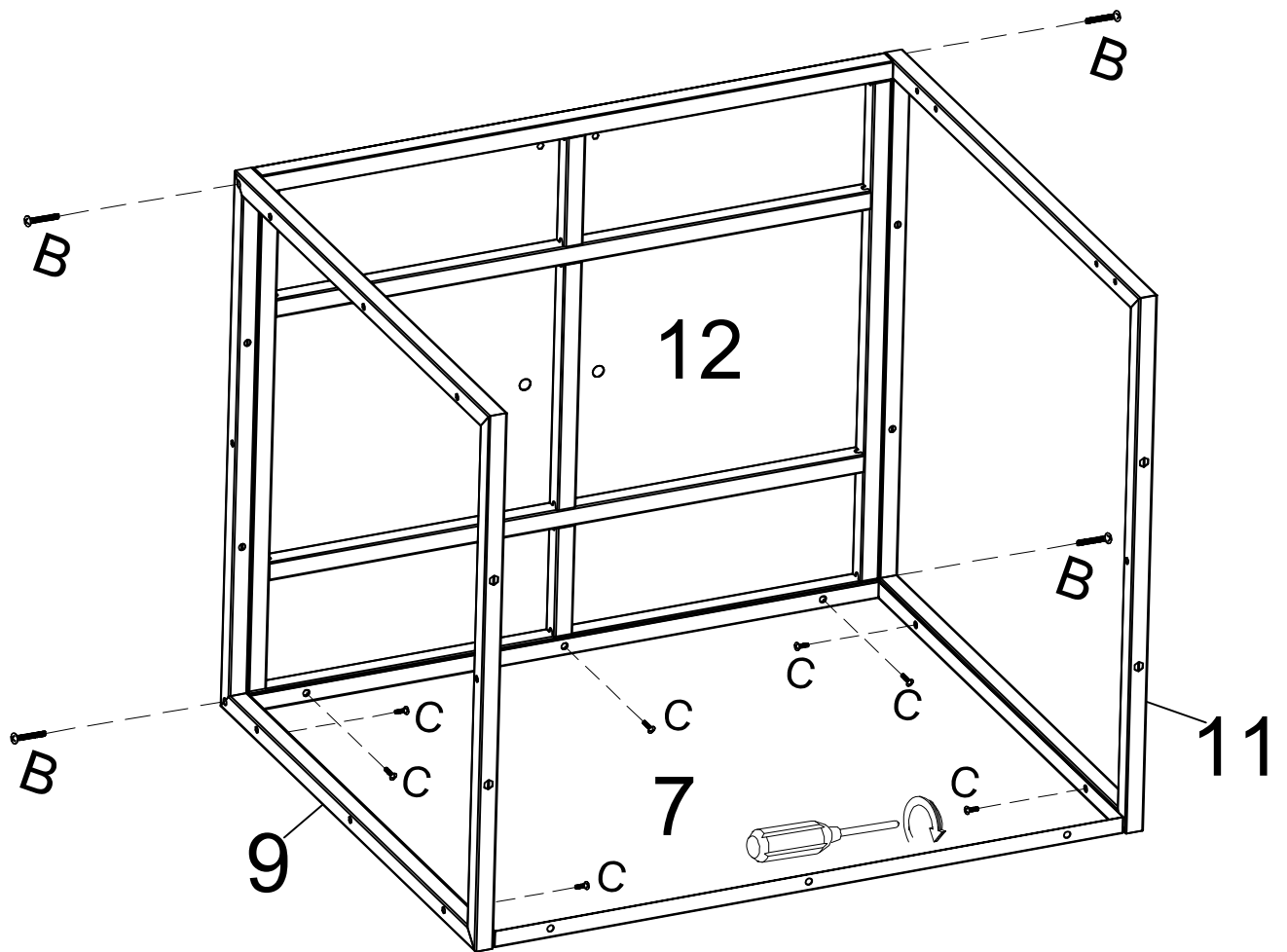
H x 4



Step 5

 C x 7

 B x 4



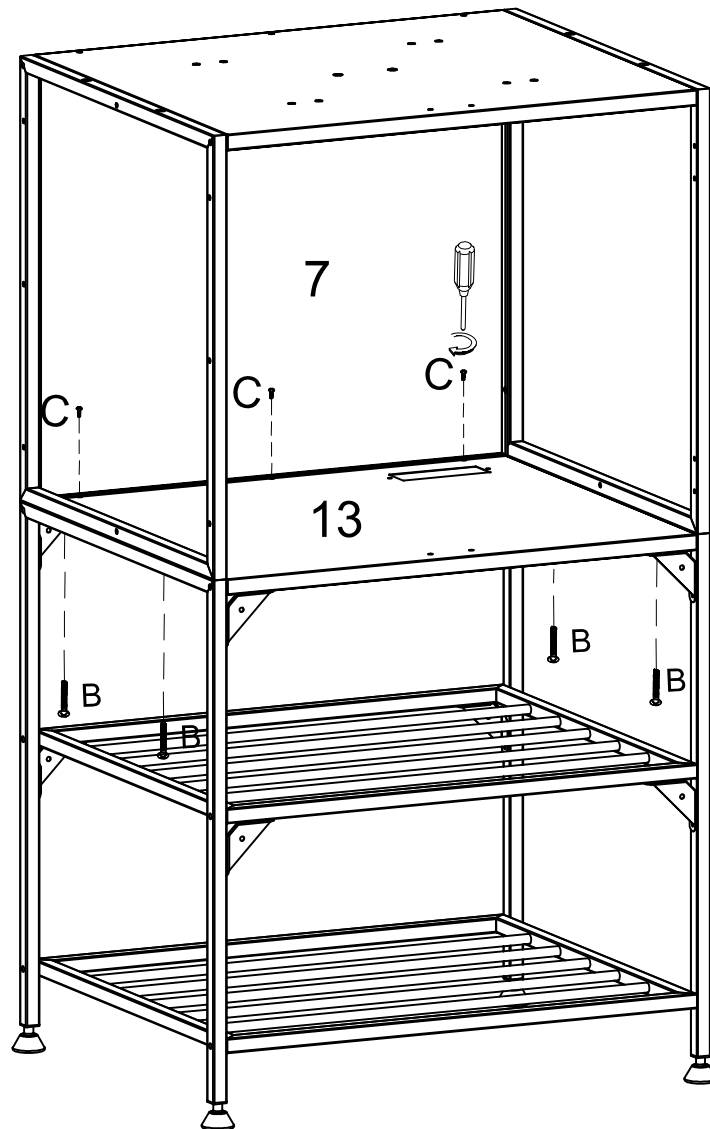
Step 6



B x 4



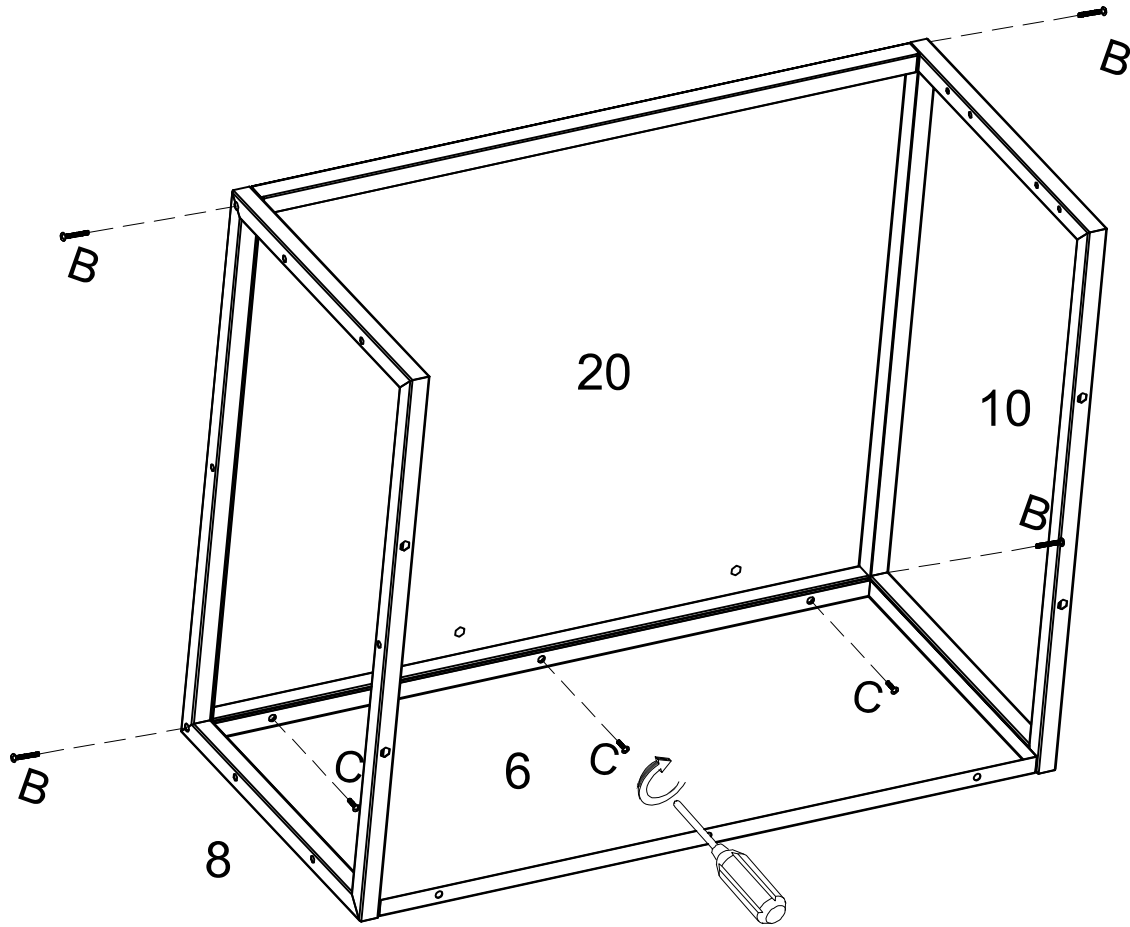
C x 3



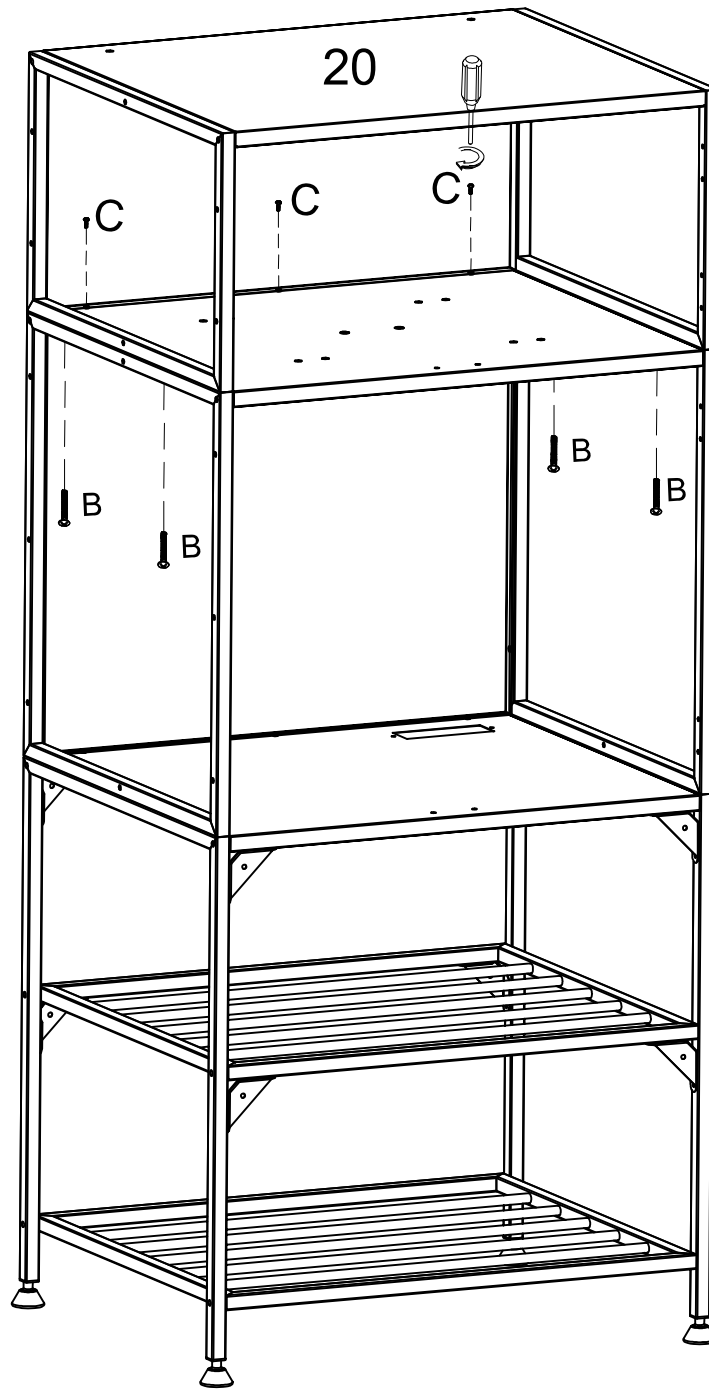
Step 7

 C x 3

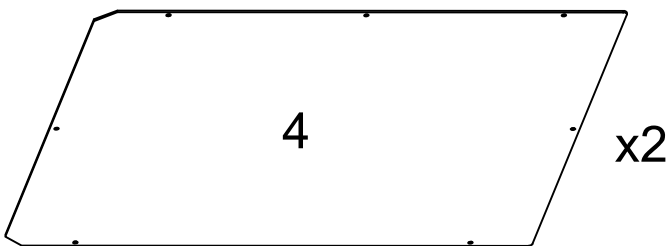
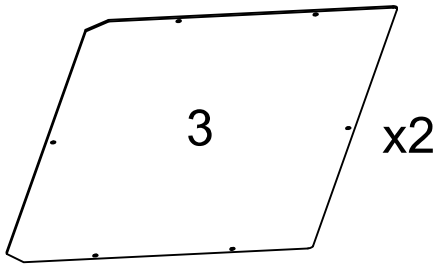
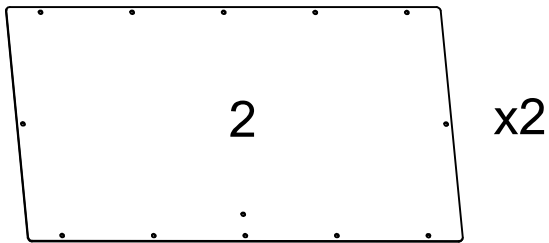
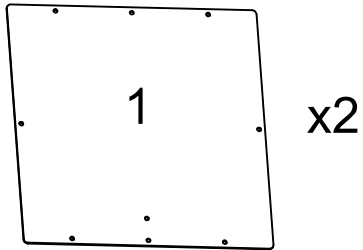
 B x 4



Step 8



Step 9



Please tear off
the protective
film on both
sides

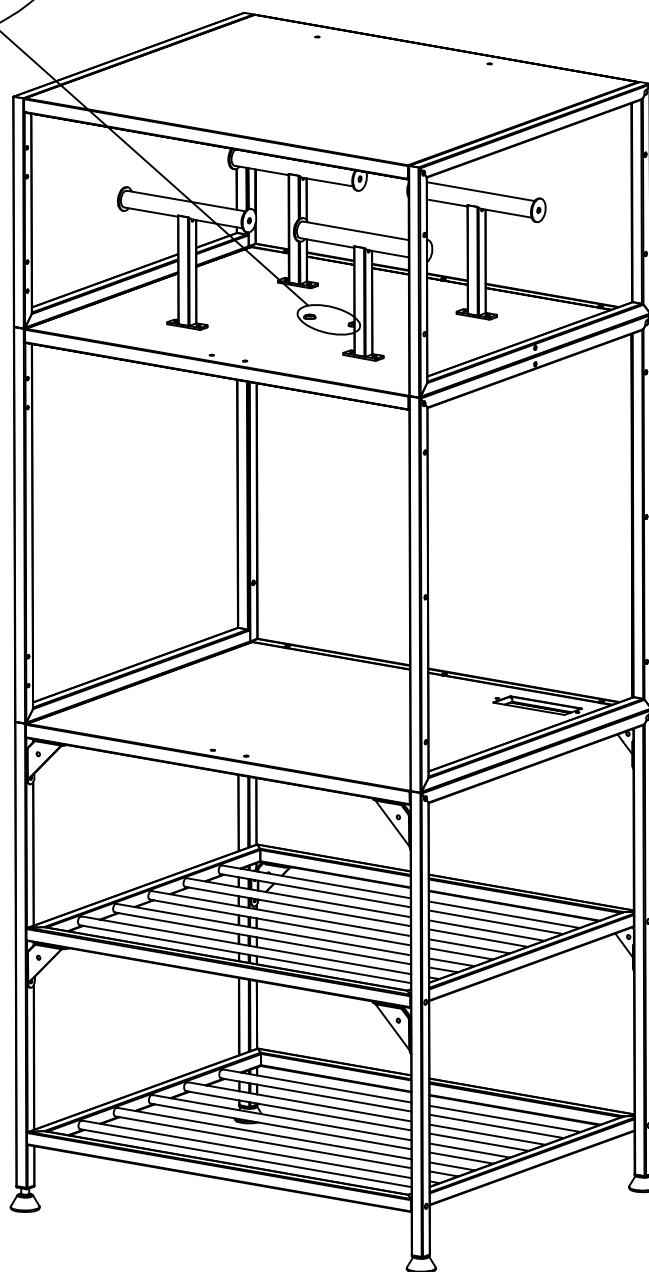
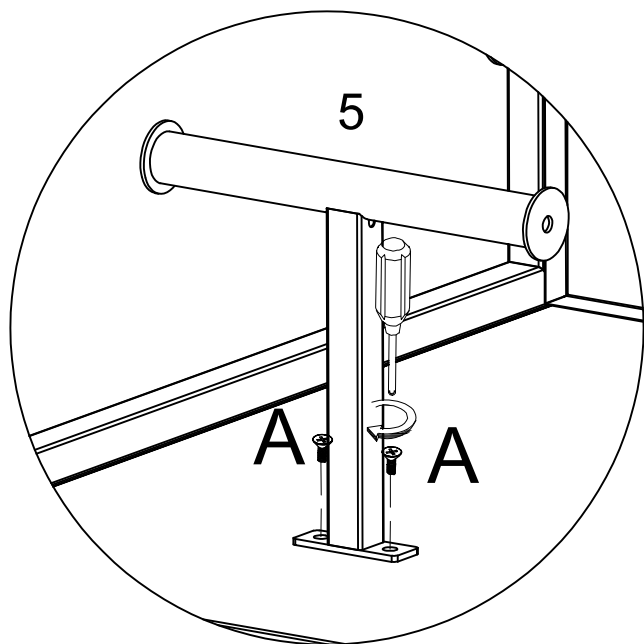
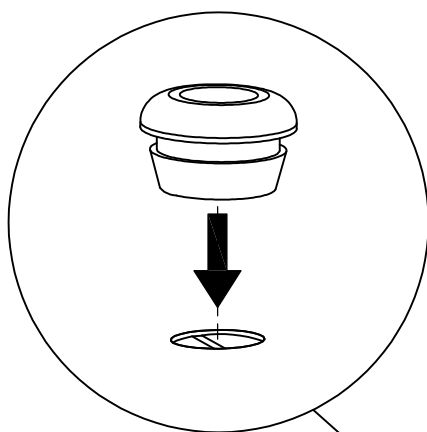
Step 10



A x 8



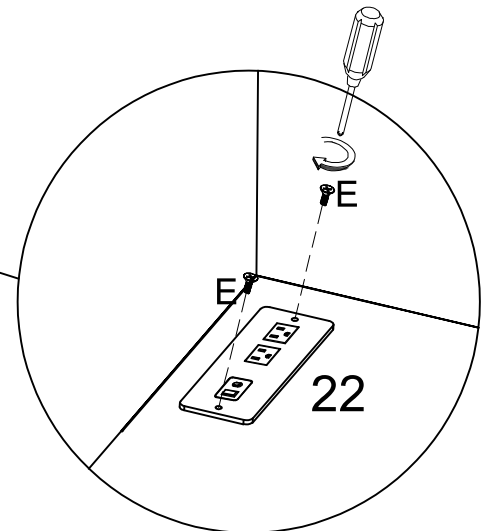
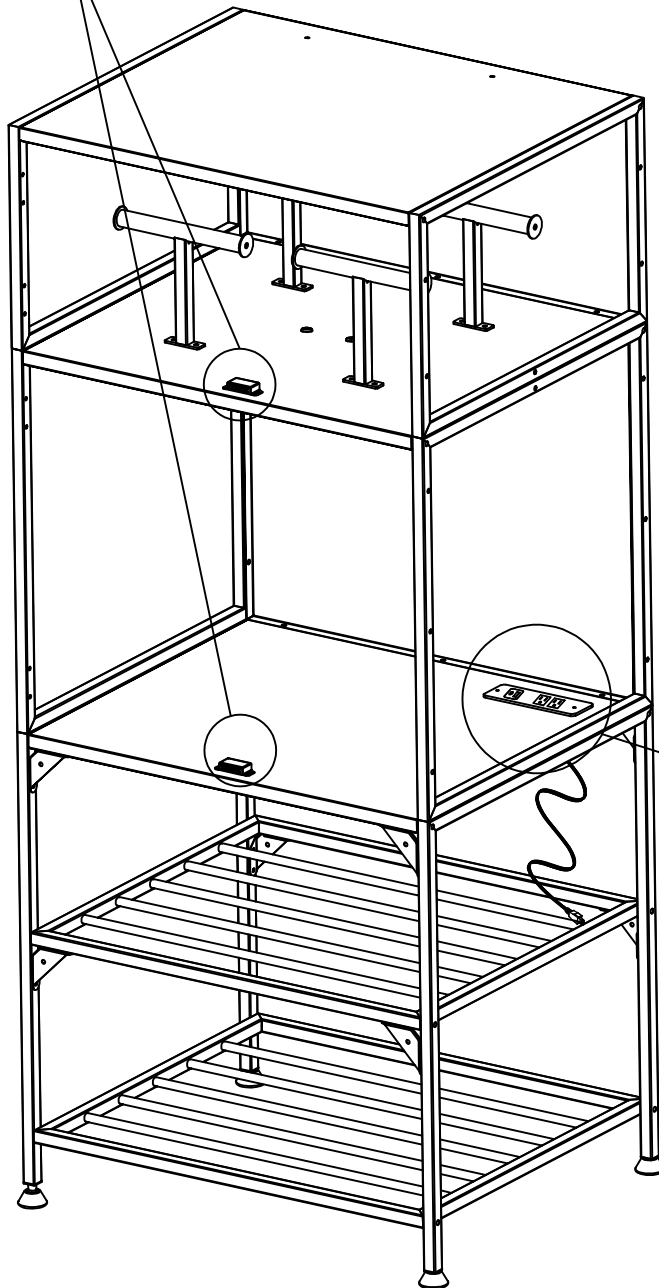
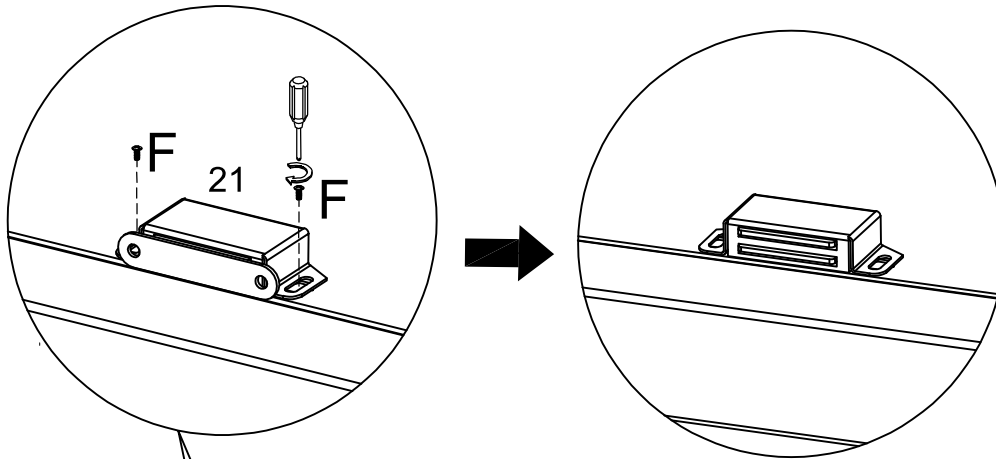
G x 2



Step 11

 E x 2

 F x 4



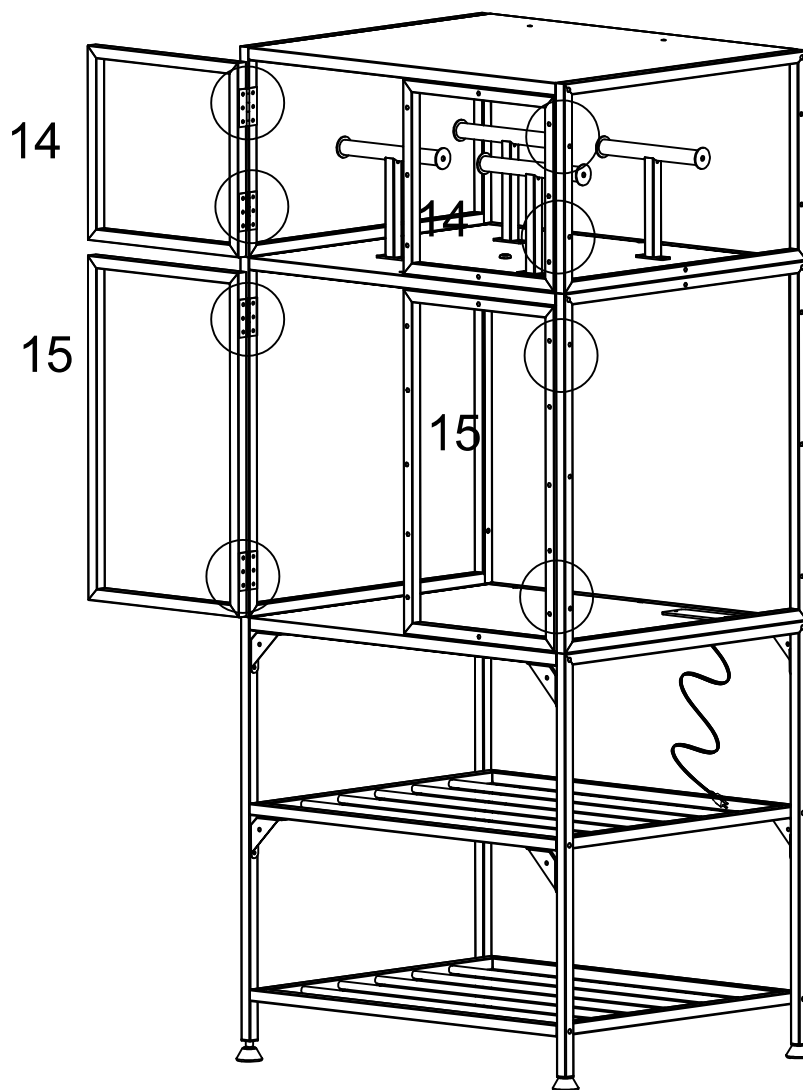
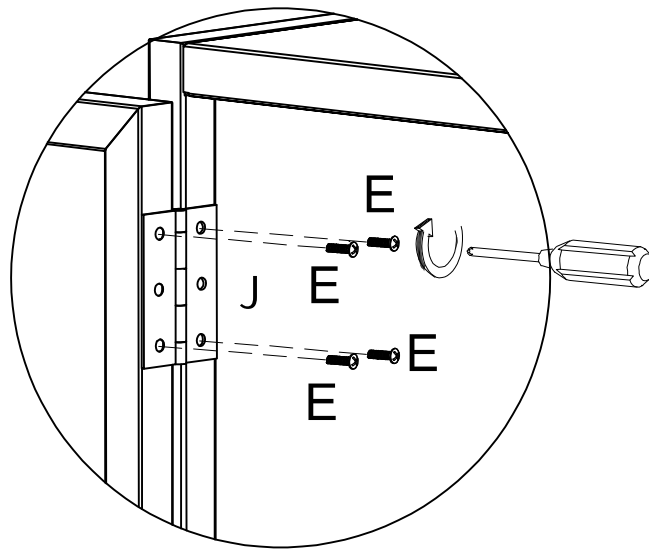
Step 12



E x 32



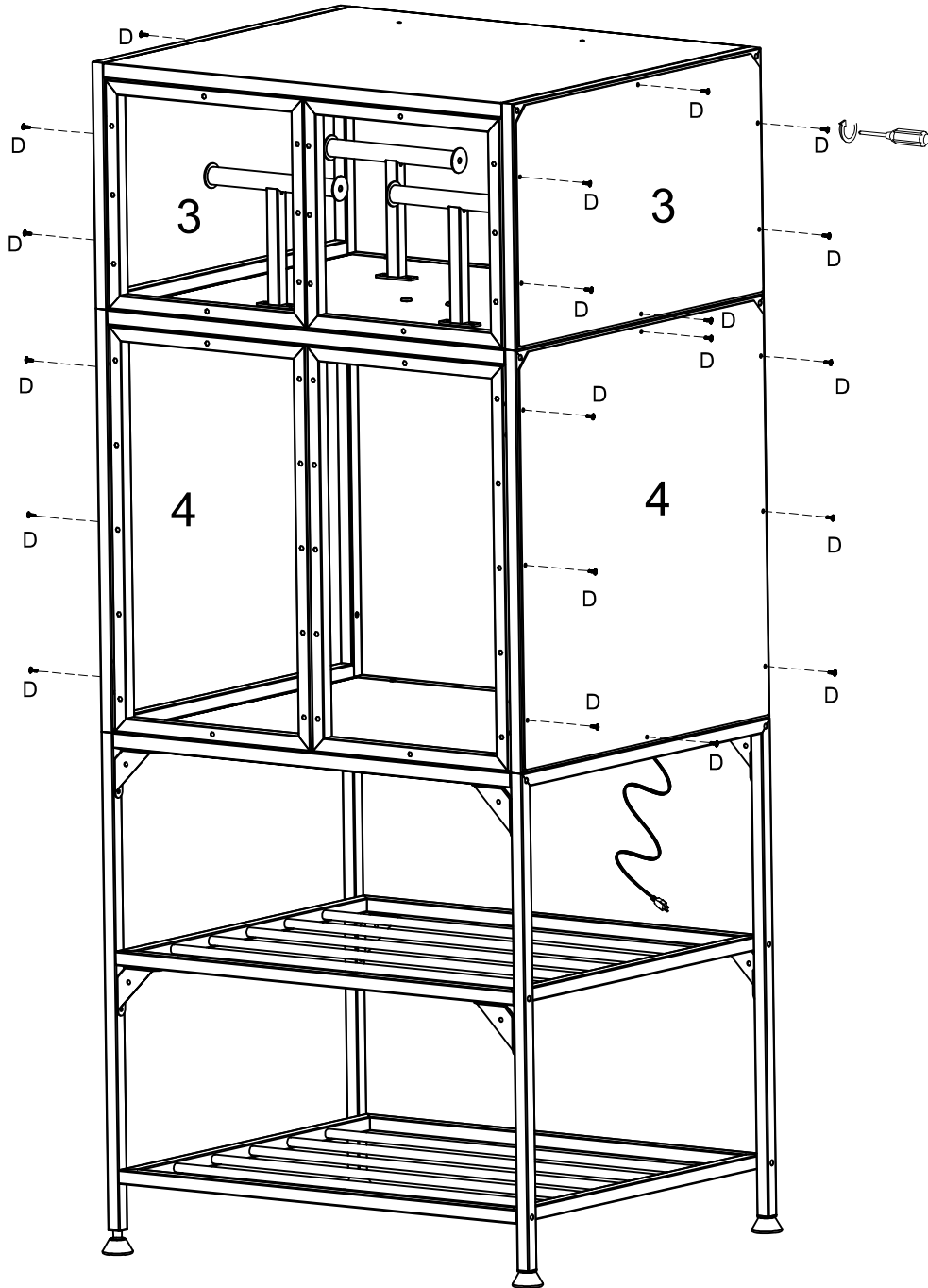
J x 8



Step 13



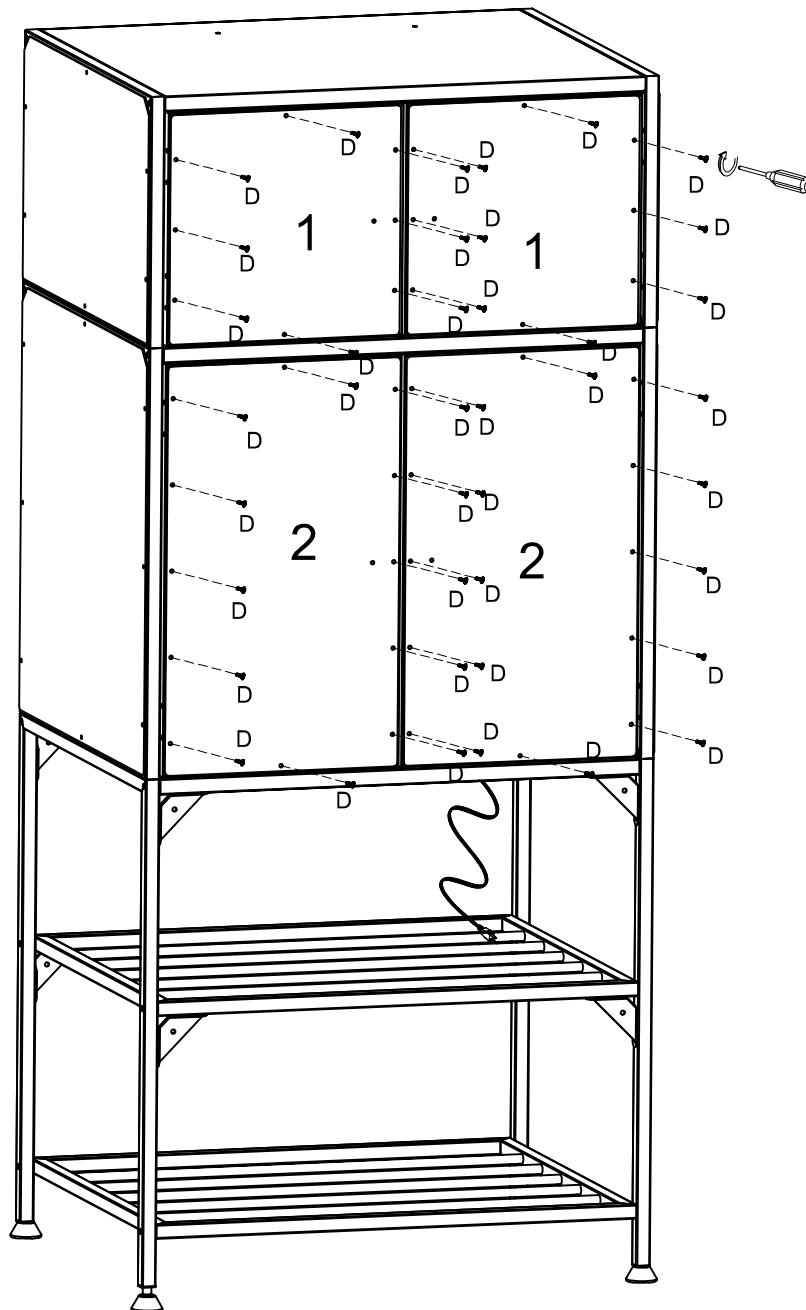
D x 28



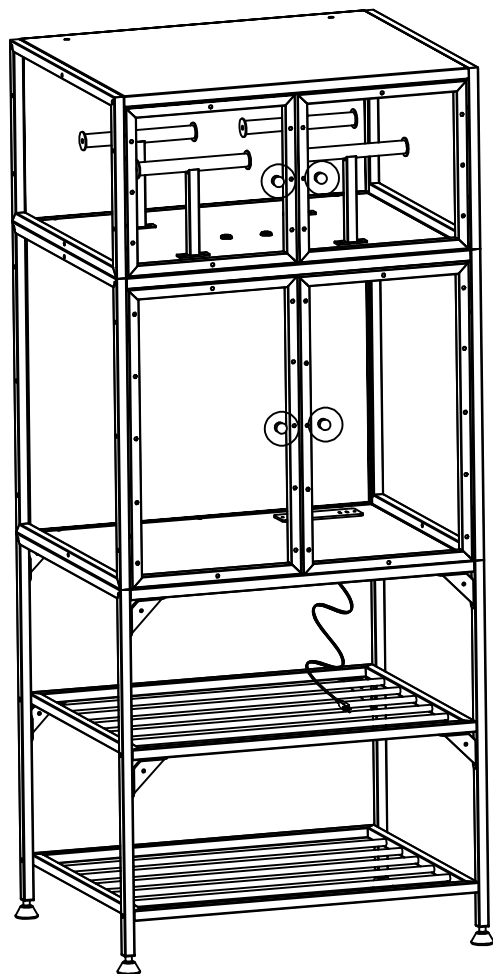
Step 14



D x 40



Step 15



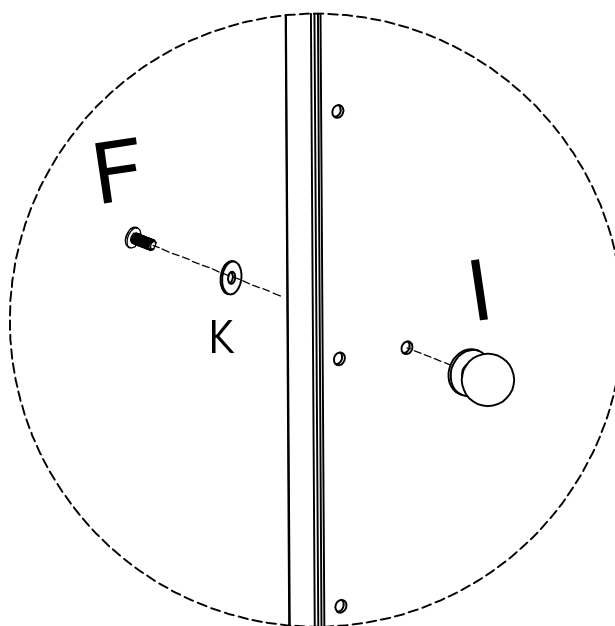
F x 4







I x 4

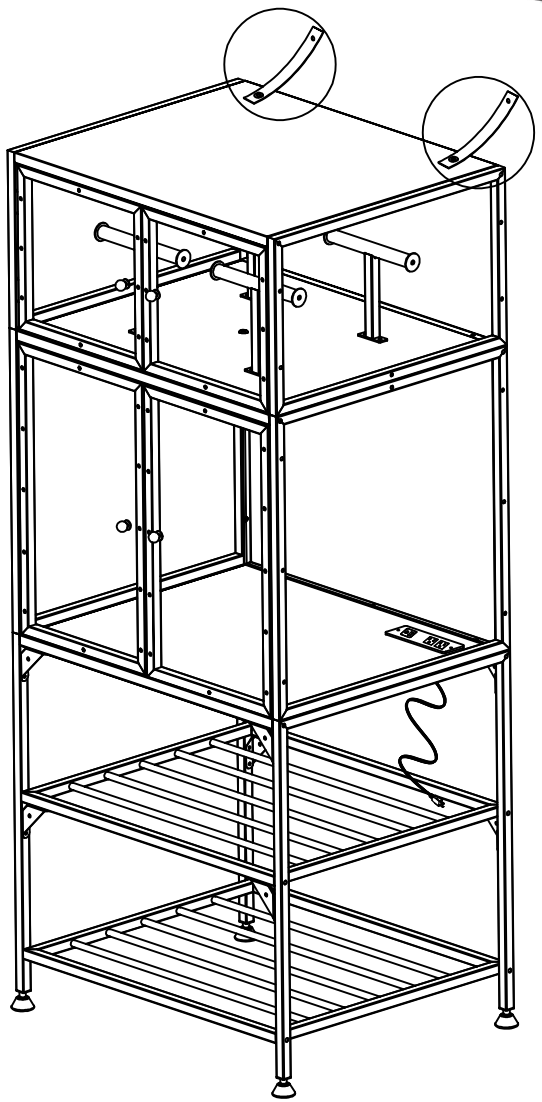
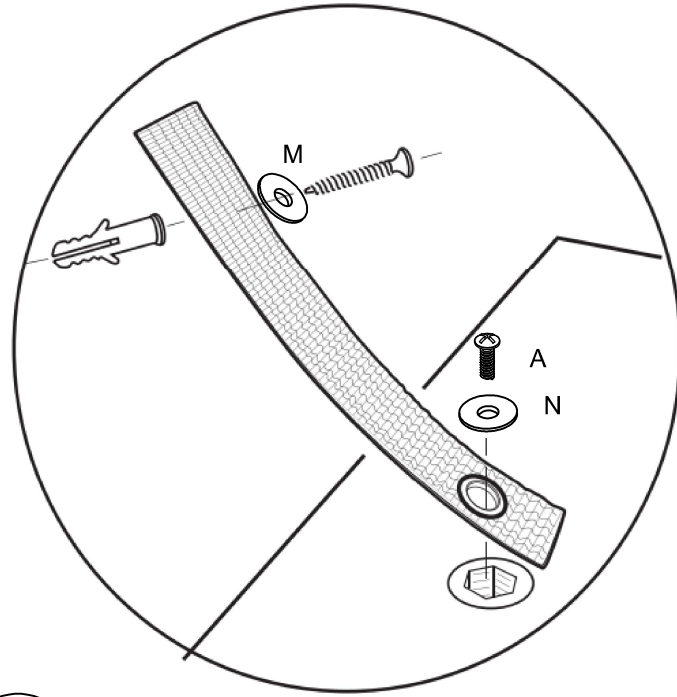


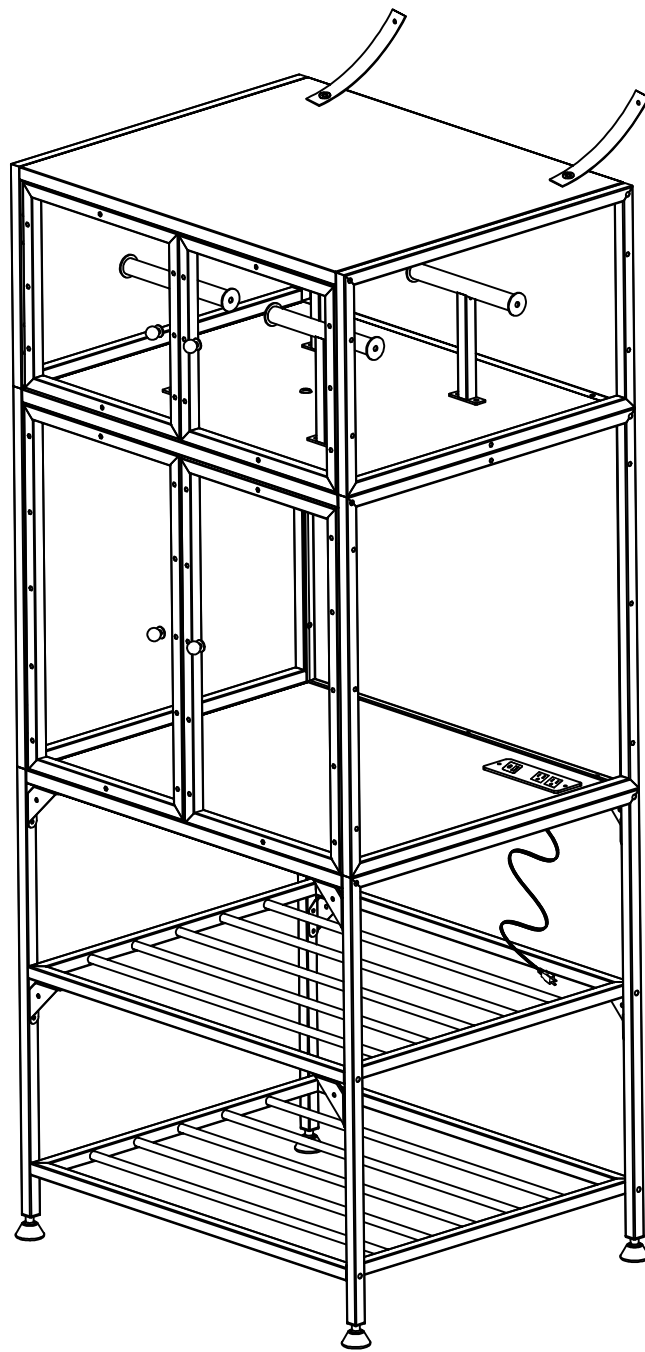
K x 4



Step 16

	L x 2
	M x 2
	N x 2
	A x 2





Final Assembly