

Hisense

life reimagined

EN ES

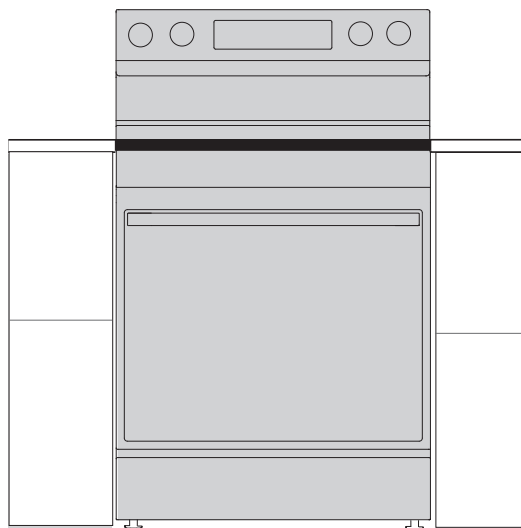
INSTRUCTIONS FOR INSTALLATION

INSTRUCCIONES DE INSTALACIÓN

ELECTRIC RANGE

ESTUFA ELÉCTRICA

HBE3501CPS, HBE3501CPSI,
HBE3401NAS, HBE3501NPS,
HBE3502CAS





Contents

Before you begin	3
For your safety	4
Tip-Over hazard	4
Anti-Tip Bracket	4
Tools and materials	4
Steps for installation	5
Remove packaging materials	5
Prepare the opening	5
Electrical installation	7
Anti-tip device installation	12
Level the range	13
Final installation check list	14



Before you begin

Read these instructions completely and carefully.

IMPORTANT - Save these instructions for the local inspector's use.

IMPORTANT - Observe all governing codes and ordinances.

IMPORTANT - Remove all packaging material and literature from the oven before connecting the gas and electrical supply to the range.

IMPORTANT - To avoid damage to your cabinets, check with your builder or cabinet supplier to make sure that the materials used will not discolor, delaminate or sustain other damage. This oven has been designed in accordance with the requirements of UL and OSA International and complies with temperatures of 194°F (90°C).

Important to the Installer - Be sure to leave these instructions with the consumer.

Important to the customer - Keep these instructions for reference.

Proper installation is the responsibility of the installer.

For your safety

Tip-Over hazard

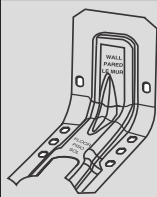
 **WARNING!**



- A. A child or adult can tip the range and be killed.
- B. Verify the anti-tip device has been properly installed and engaged (See below).
- C. Ensure the anti-tip device is re-engaged when the range is moved (See below).
- D. Do not operate the range without the anti-tip device in place and engaged.

Anti-Tip Bracket

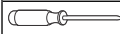
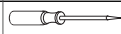
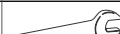



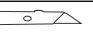
 **WARNING!**



- To reduce the risk of tipping the range, the range must be secured by a properly installed anti-tip bracket.
- See installation instructions shipped with the bracket for complete details before attempting to install.

Tools and materials


Tools you may need

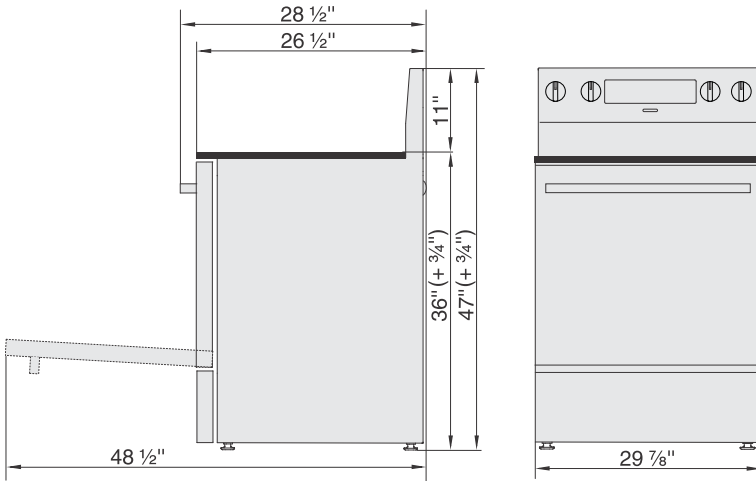
Flat-blade and Phillips screwdriver	Drill, awl or nail	Open-end wrench	Pipe wrench (2)	Level	Pencil and ruler	Utility knife
						

Materials you may need



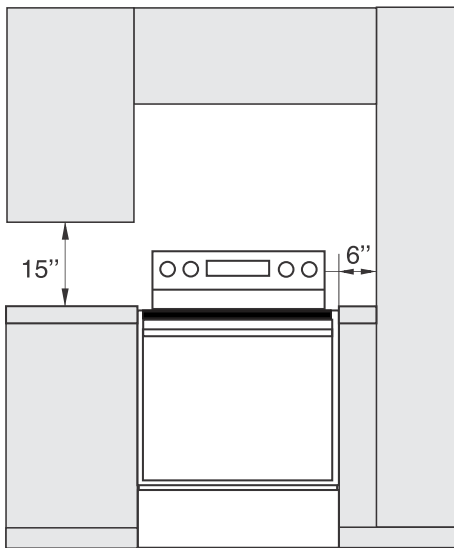
Power Cord Clamp Squeeze Connector 4' long with strain relief (For Conduit Installations

Only).  UL Listed 40 AMP 4-Wire or 3-Wire Cord



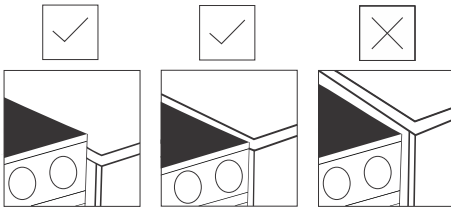
See illustrations for all rough-in and spacing dimensions. The appliance may be placed with 0'' clearance (flush) at the back walls and side walls of the cabinets.

Minimum dimensions between cooktop, walls and above the cooktop



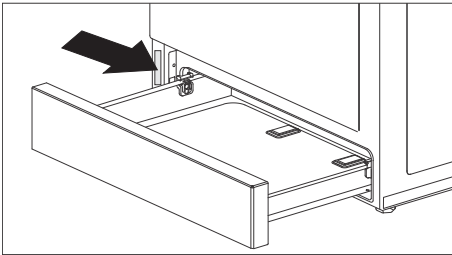
- Provide adequate clearances between the range and adjacent combustible surfaces. These dimensions must be met for the safe use of your appliance.
- Make sure the wall covering, countertop, flooring and cabinets around the range can withstand the heat (up to 200°F (90°C)) generated by the range.
- Allow 30'' minimum clearance between surface units and bottom of an unprotected wood or metal cabinet, or allow a 24'' minimum when the bottom of wood or metal cabinets is protected by no less than 1/4'' thick flame retardant millboard covered with not less than No 28MSG sheet metal, (0,015'') thick stainless steel, 0,024'' aluminium or 0,020'' copper.
- This appliance has been approved for 0'' spacing to adjacent surfaces above the cooktop. However, a 6'' minimum spacing to surfaces less than 15'' above the cooktop and adjacent cabinet is recommended to reduce steam, grease platter, and heat exposure.
- May be installed with zero clearance on sides and back.

Cabinet storage space above the cooktop should be avoided to reduce the risk of burns or fire when reaching over hot surface elements. If cabinet storage space is to be provided above the cooktop, the risk can be reduced by installing an appliance hood that projects at least 5" beyond the front of the cabinets. Cabinets installed above the cooktop must be no deeper than 16".



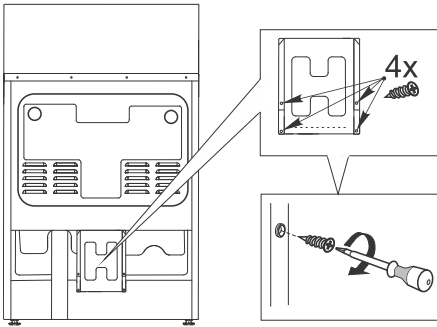
NOTE! The cooktop must be at or above the counter.

Rating plate



The rating plate indicating the basic information about the appliance is located on the oven frame and it is visible when the oven door is opened.

Electrical installation



Power cord and conduit installation

On the back side of the appliance remove the metal cover by removing screws using a screwdriver. Do not discard these screws.

INFORMATION!

NOTE! Power cord and conduit with strain relief are not included in the appliance. It must be purchased separately.

INFORMATION!

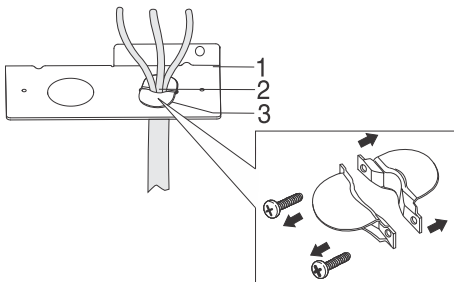
The manufacturer shall not be held liable for any potential damage, malfunction, or safety hazard of the appliance resulting from:

- connections not performed by a qualified technician,
- the installation of a previously used power cord, or
- the use of a power cord that does not comply with the specification provided in this manual.

Range rating, watts		Specified rating of power-supply-cord kit, amperes	Diameter (inches) of the range connection opening	
120/240 volts 3-wire	120/208 volts 3-wire		40 or 50 A	Power cord
11900 - 14200	8900 - 10800	1 3/8"		1 1/8"

For power cord installation

Assemble the strain relief in the connection plate hole (1 3/8"). Insert the power cord through the strain relief and tighten the clamp screws.

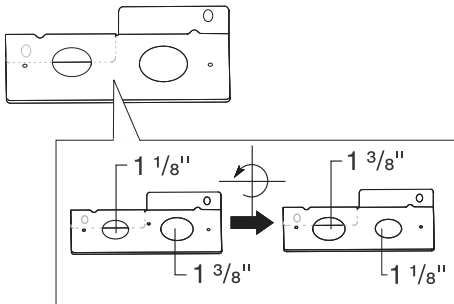


1. Conduit connection plate
2. Power cord
3. Strain relief

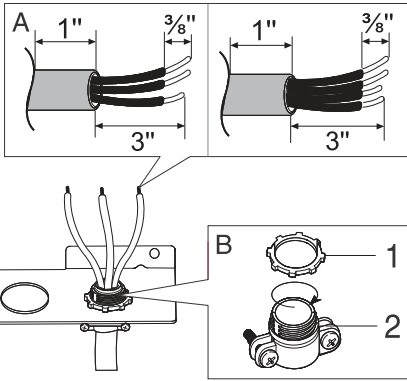
NOTE! The power cord must always be installed with strain relief mounted into the connection plate.

NOTE! Terminals on the power cord must be closed-loop or open-end spade lugs.

For conduit installation



Remove the conduit connection plate by removing two screws and rotating it, as shown below. The conduit hole (1 1/8") must be used. Tighten both screws back.



Prepare the conduit cord (insulation stripped) as shown in A.

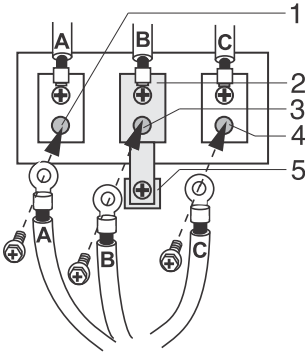
Install the conduit cord into the connection plate as shown in B.

Insert the strain relief into the conduit hole (1 1/8"). Then thread the conduit cord through the body (2) of the strain relief and fasten the ring (1). Reinstall the connection plate into position and screw up.

Three-Wire Cord Connection

⚠ WARNING!

The neutral wire of the power cord must be connected to the neutral terminal located in the center of the terminal block. The power leads must be connected to the lower left and the lower right terminals of the terminal block.

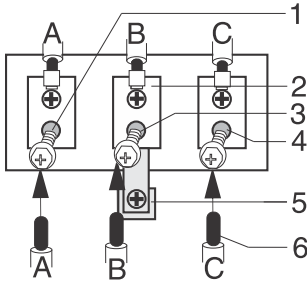


1. Live 1
2. Ground strap
3. Neutral terminal
4. Live 2
5. Ground plate

- A. Black (8 AWG)
- B. White (10 AWG)
- C. Red (8 AWG)

- Remove the 3 screws lower the terminal on the terminal block. Do not loosen the upper screws.
- Install the three-wire cord kit and strain relief in the hole in the connection plate.
- Connect the center (white/neutral) wire lead to the center terminal.
- Connect the red and black leads to the outside terminals.
- Push the cord upward (to relieve strain), while tightening the strain relief clamp.
- Securely tighten each screw (35 to 50 in-lbs).

Three-Wire Conduit Connection



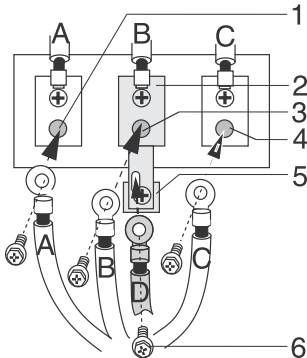
1. Line 1
 2. Ground Strap
 3. Neutral terminal
 4. Live 2
 5. Ground plate
 6. Wire tips
- A. Black (8 AWG)
 B. White (10 AWG)
 C. Red (8 AWG)

- Loosen the 3 lower terminal screws on the terminal block. Strip wire to expose tip about 3/8" long.
- Insert the center (white/neutral) wire tip through the bottom center terminal block opening. On certain models, the wire will need to be inserted through the ground strap opening and then into the bottom center block opening. Insert the two side bare wire tips into the lower left and the lower right terminal block openings.
- Tighten the screws until the wire is firmly secured (35 to 50 inch-lbs.) Do not over-tighten the screws.

Four-Wire Cord Connection

⚠ WARNING!

The neutral wire of the supply circuit must be connected to the neutral terminal located in the lower center of the terminal block. The power leads must be connected to the lower left and the lower right terminals of the terminal block. The grounding lead must be connected to the frame of the range with the ground plate and ground screw.

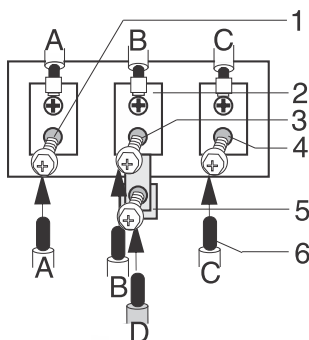


1. Live 1
 2. Ground strap
 3. Neutral terminal
 4. Live 2
 5. Ground plate
 6. Ground screw
- A. Black (8 AWG)
 B. White (10 AWG)
 C. Red (8 AWG)
 D. Green (10 AWG)

- Remove the 3 lower screws from the terminal block. Do not loosen the upper screws.
- Remove the ground screw and ground plate and retain them.
- Cut the ground strap below the terminal block and discard the lower section.
- Insert the ground screw through the power cord ground wire ring through the ground plate and back into the range frame. Tighten securely, but do not over-tighten (15 to 20 in-lbs).

- Insert the 3 terminal screws through each power cord terminal ring and back into the terminal block. Be certain the white wire is in the center.
- Securely tighten each screw (35 to 50 in-lbs).

Four-Wire Conduit Connection



1. Live 1
2. Ground strap
3. Neutral terminal
4. Live 2
5. Ground plate
6. Ground screw
7. Wire tips

- A. Black (8 AWG)
- B. White (10 AWG)
- C. Red (8 AWG)
- D. Green (10 AWG)

- Loosen the 3 lower terminal screws on the terminal block. Strip wire to exposed tip about 3/8" long.
- Remove the ground screw and ground plate and retain them. Cut the ground strap below the ground block and discard the lower section. Insert the ground screw through the ground plate (removed earlier) and put it back into the terminal.
- Insert the ground wire tip into the ground screw and plate. Tighten securely, but do not over-tighten (15 to 20 in-lbs).
- Insert the center (white/neutral) wire tip through the bottom center terminal block opening. On certain models, the wire will need to be inserted through the ground strap opening and then into the bottom center block opening. Insert the two side bare wire tips into the lower left and the lower right terminal block openings.
- Tighten the screws until the wire is firmly secured (35 to 50 inch-lbs). Do not over-tighten the screws.



NOTE!

ALUMINIUM WIRING: Aluminum building wire may be used, but it must be rated for the correct amperage and voltage.

Replace the wire cover

Replace the wire cover on the range back by sliding its left edge under the retaining tabs and replace the screws removed earlier. Make sure that no wires are pinched between the cover and range back.

Anti-tip device installation

Tip Over Hazard



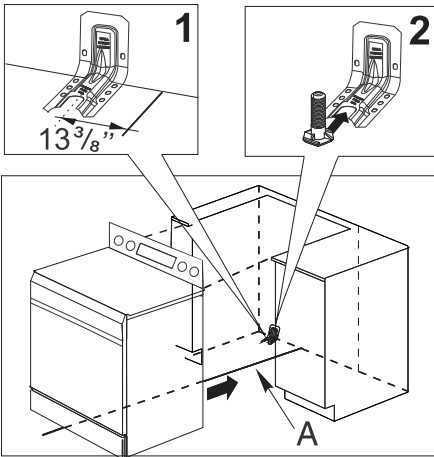
WARNING!

- Child or adult can tip the range and be killed.
- Install the anti-tip bracket to the wall or floor.
- Engage the range to the anti-tip bracket by sliding the range back such that the foot is engaged.
- Re-engage the anti-tip device if the range is moved.
- See installation instructions for details.
- Failure to do so can result in death or serious burns to children or adults.
- Check to make sure that the rear leveling leg is fully inserted into the Anti-Tip bracket.

Anti-Tip Bracket

Install Anti-Tip Bracket (Anti-Tip Bracket Kit Included)

- Determine which mounting method to use: floor or wall. If you have a stone or masonry floor, you can use the wall mounting method. If you are installing the range in a mobile home, you must secure the range to the floor.
- This anti-tip bracket and screws can be used with wood or metal studs.



- Determine and mark the centerline of the cutout space (1). The mounting bracket can be installed on either the left-hand or right-hand side of the cutout. Position the mounting bracket against the wall in the cutout so that the center of the cutout of the bracket is 13 3/8" (34 cm) from the centerline (A).
- Drill two 5/32" (4 mm) holes that correspond to the bracket holes of the determined mounting method.
- Using the two 3/16 x 2" (4,8 x 50 mm) Phillips-head screws provided, mount the anti-tip bracket to the wall or floor. For wall installation, the screws must engage solid material like a stud, joist, or sill plate.

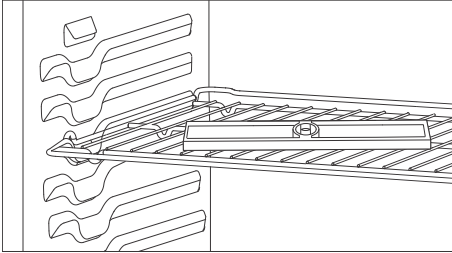
- Move range close enough to opening to allow for final electrical connections.
- Remove shipping base, cardboard or hardboard from under range.
- Move range into its final location, making sure the rear leveling leg slides into the anti-tip bracket (2).

Level the range

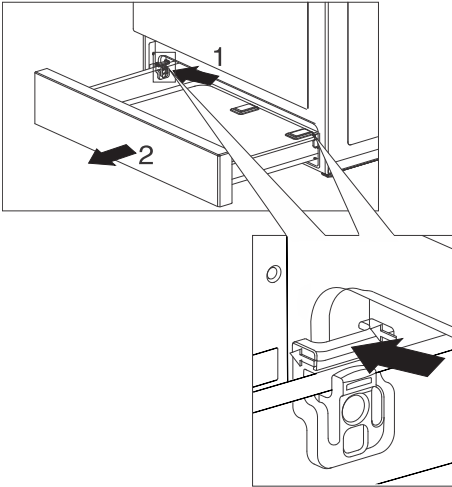


WARNING!

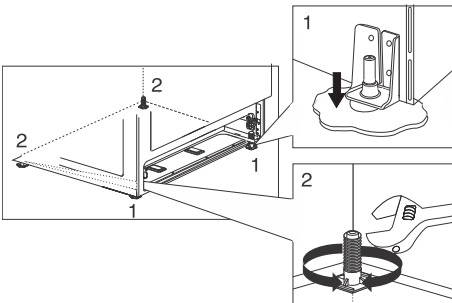
Never completely remove the leveling leg as the range will not be secured to the anti-tip device properly.



- Install the oven racks in the oven and position the range where it will be installed.
- Check for level by placing a spirit level on one of the oven racks. Take two readings, with the level placed diagonally first in one direction and then the other.



- Remove the drawer.



- Level the range by adjusting the leveling legs with a wrench.
- The front leveling legs can be adjusted with a wrench from the top or by turning the foot itself.
- The rear legs can be adjusted from the top of the leg (2) through the drawer opening.



Final installation check list

- Check to make sure the circuit breaker is closed or the circuit fuses are replaced.
- Be sure power is in service to the building.
- Check that all packaging materials and tape have been removed. This will include tape on the metal panel under control knobs (if applicable), adhesive tape, wire ties, cardboard and protective plastic. Failure to remove these materials could result in damage to the appliance once the appliance has been turned on and surfaces have heated.
- Check that the door and drawer are parallel to each other and that both operate smoothly. If they do not, see the User Manual.
- Check to make sure that the rear leveling leg is fully inserted into the Anti-Tip bracket.

Operation checklist

- Make sure the combustion and ventilation airflow to the range is unobstructed. Do not block the front of the range with rugs or carpets that can block air flow under the range. Make sure the oven vent on the cooktop is not blocked.
- Be sure all range controls are in the OFF position before leaving the range.



Tabla de contenidos

Antes de comenzar	16
Para su seguridad	17
Riesgo de vuelco	17
Soporte antivuelco	17
Herramientas y materiales	17
Pasos para la instalación	18
Retire los materiales de embalaje	18
Preparar la abertura	18
Instalación eléctrica	21
Instalación del dispositivo antivuelco	25
Nivelar la estufa	26
Lista de verificación final de la instalación	27



Antes de comenzar

Lea estas instrucciones completa y cuidadosamente.

IMPORTANTE: - Guarde estas instrucciones para la consulta de su inspector local.

IMPORTANTE - Respete los códigos y ordenanzas vigentes.

IMPORTANTE: - Antes de conectar la estufa al suministro de luz y gas, retire todo el material de embalaje y los manuales que se encuentran dentro del horno.

IMPORTANTE: - Para evitar dañar sus gabinetes, consulte con su constructor o con el proveedor de los gabinetes para asegurarse de que los materiales utilizados no se decoloren, se deslaminen o sufran otros daños. Este horno ha sido diseñado de acuerdo con los requisitos de UL y OSA International y cumple con temperaturas de 194 °F (90 °C).

Información importante para el instalador:- Asegúrese de dejarle estas instrucciones al usuario.

Información importante para el cliente - Guarde estas instrucciones para futuras consultas.

La instalación adecuada es responsabilidad del instalador.

Para su seguridad

Riesgo de vuelco

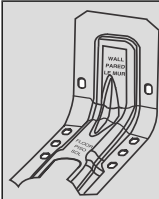
 **ADVERTENCIA!**



- A. Tanto un niño como un adulto podrían volcar la estufa, con riesgo de muerte.
- B. Verifique que el dispositivo antivuelco haya sido correctamente instalado y acoplado (Ver más abajo).
- C. Asegúrese de volver a acoplar el dispositivo antivuelco cuando mueva la estufa de lugar (Ver más abajo).
- D. No opere la estufa si el dispositivo antivuelco no está colocado y enganchado.

Soporte antivuelco







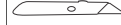
 **ADVERTENCIA!**



- Para reducir el riesgo de vuelcos, debe asegurar la estufa con un soporte antivuelco correctamente instalado.
- Consulte las instrucciones de instalación proporcionadas para tener toda la información necesaria antes de comenzar la instalación.

Herramientas y materiales

Herramientas necesarias

Destornillador de punta plana y Phillips	Taladro, punzón o clavo	Llave española	Llave de tubo (2)	Nivelador	Lápiz y regla	Cuchilla de uso general
						

Materiales necesarios



Abrazadera para el cable de alimentación, conector a presión de 4' de longitud con alivio de tensión (solo para instalaciones en conductos).



Cable de 4 o 3 hilos de 40 amperios con certificación UL

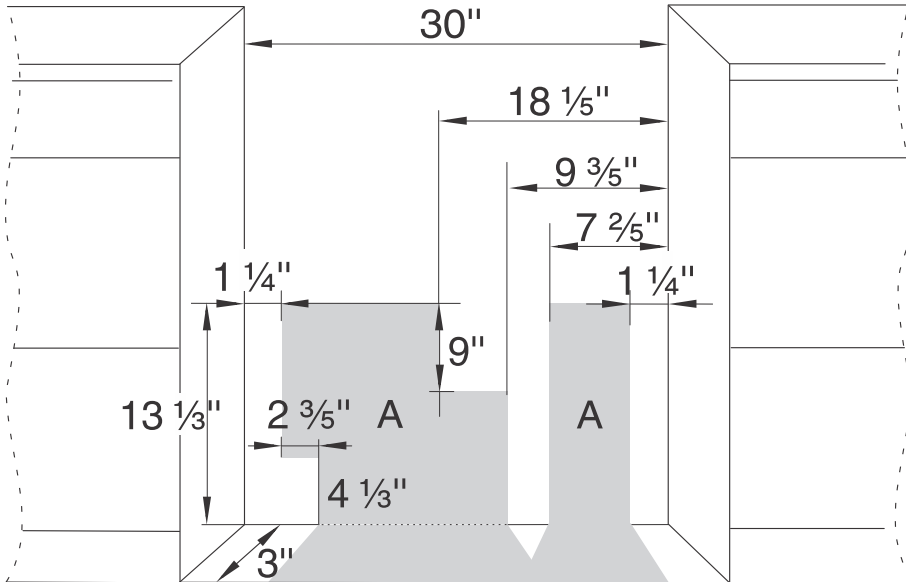
Pasos para la instalación

Retire los materiales de embalaje

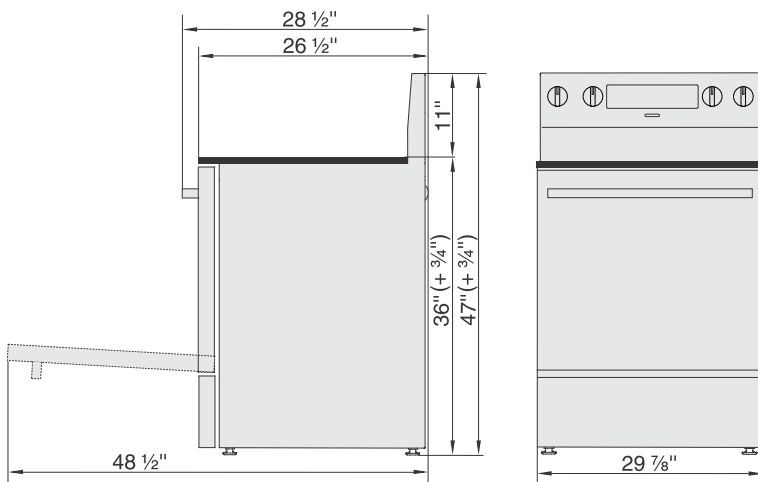
Si no retira todos los materiales de embalaje, el aparato podría sufrir daños. Retire todas las piezas de embalaje del horno, de los estantes, de los elementos calefactores y de la gaveta. También debe retirar la película protectora y las etiquetas de la puerta, la placa de cocción y el panel de control.

Preparar la abertura

(solo para uso en interiores)

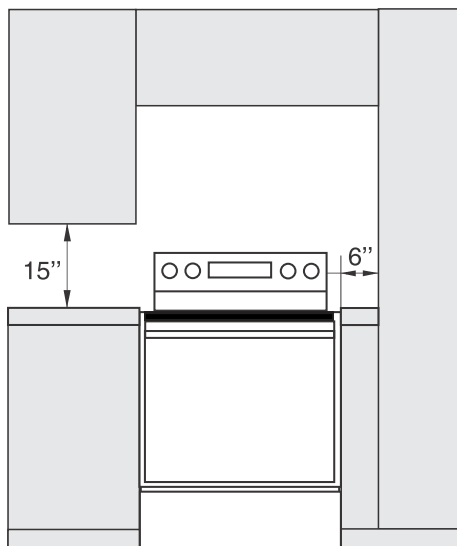


Área de toma de corriente recomendada (A).



Consulte las ilustraciones para ver todas las dimensiones de montaje y espaciado. El aparato puede instalarse sin dejar un espacio libre entre la pared trasera y los gabinetes laterales (al ras).

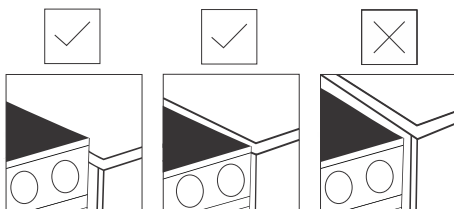
Dimensiones mínimas entre la placa de cocción, las paredes y el espacio sobre la placa de cocción



- Deje una distancia adecuada entre la estufa y las superficies combustibles adyacentes. Se deben respetar estas dimensiones para poder hacer un uso seguro de su aparato.
- Asegúrese de que el revestimiento de la pared, la encimera, el piso y los gabinetes alrededor de la estufa puedan soportar el calor [de hasta 200 °F (90 °C)] generado por la estufa.
- Deje un espacio libre mínimo de 30" entre las unidades de la superficie y la parte inferior de un gabinete de madera o metal que no tenga protección; o deje un mínimo de 24" en caso de que la parte inferior del gabinete de madera o metal esté protegida por una placa ignífuga de no menos de 1/4" de espesor cubierta por una placa de acero inoxidable no menor a N.º 28 MSG de 0,015" de espesor; de aluminio de 0,024" o de cobre de 0,020".

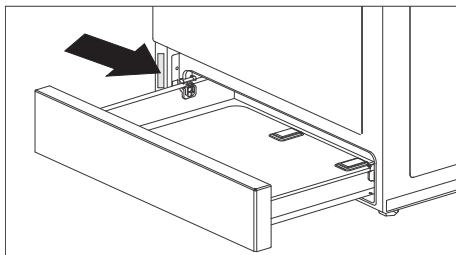
- Este aparato ha sido aprobado para ser instalado sin necesidad de que haya una separación (al ras) de superficies adyacentes más elevadas que la placa de cocción. Sin embargo, se recomienda dejar un espacio mínimo de 6" entre las superficies que estén a menos de 15" por encima de la placa y el gabinete adyacente para reducir la exposición al vapor, la grasa y el calor.
- Se puede instalar sin dejar un espacio libre en los lados y en la parte posterior.

Para reducir el riesgo de quemaduras o incendios al intentar alcanzar objetos, se debe evitar almacenar cosas en el gabinete que se encuentre sobre la placa de cocción. Si desea contar con un espacio de almacenamiento en un gabinete sobre la placa de cocción, el riesgo puede reducirse instalando una campana extractora que sobresalga al menos 5" de la parte delantera de los gabinetes. La profundidad de los gabinetes instalados sobre la placa de cocción no debe ser mayor a 16".



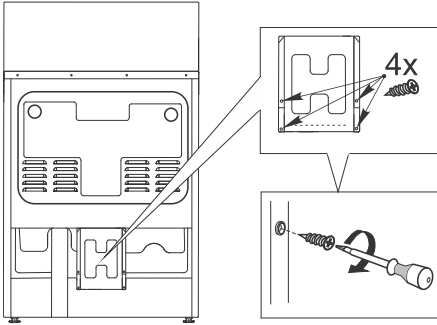
¡ADVERTENCIA! La placa de cocción debe estar a la misma altura que el mesón (mesada o tope) o superior.

Placa de características



La placa de características con los datos básicos del aparato está fija en el borde del horno. Puede verla al abrir la puerta del horno.

Instalación eléctrica



Instalación de cables de alimentación y conductos

Retire la cubierta metálica que se encuentra en la parte posterior del aparato quitando los tornillos con un destornillador. Guarde estos tornillos.



¡INFORMACIÓN!

¡ADVERTENCIA! El cable de alimentación y el conducto con alivio de tensión no están incluidos con el aparato. Se deben comprar aparte.



¡INFORMACIÓN!

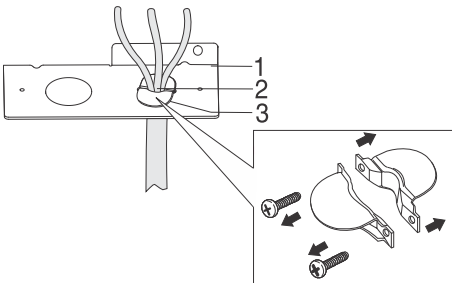
El fabricante no se hará responsable de ningún daño potencial, mal funcionamiento o peligro para la seguridad causado por el aparato como resultado de:

- conexiones no realizadas por un técnico cualificado,
- la instalación de un cable de alimentación utilizado anteriormente, o
- el uso de un cable de alimentación que no cumpla con las especificaciones proporcionadas en este manual.

Rango nominal, vatios		Valor nominal especificado en el kit del cable de alimentación, amperios	Diámetro (en pulgadas) de la abertura de conexión de la estufa	
120/240 voltios 3 hilos	120/208 voltios 3 hilos		40 o 50 A	Cable de alimentación
11900 - 14200	8900 - 10800	1 3/8"		1 1/8"

Para instalar el cable de alimentación

Monte el alivio de tensión en el orificio de la placa de conexión (1 3/8"). Inserte el cable de alimentación a través del alivio de tensión y apriete los tornillos de la abrazadera.

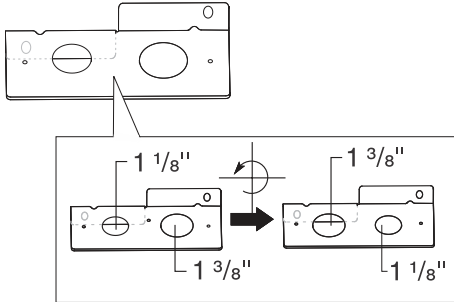


1. Placa de conexión de conductos
2. Cable de alimentación
3. Aliviador de tensión

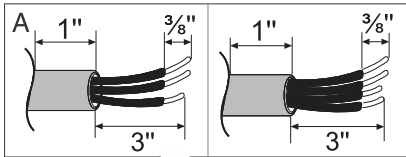
¡ADVERTENCIA! El cable de alimentación siempre debe instalarse con un alivio de tensión montado en la placa de conexión.

¡ADVERTENCIA! Los terminales del cable de alimentación deben ser de circuito cerrado o de pala de extremo abierto.

Para instalar el conducto

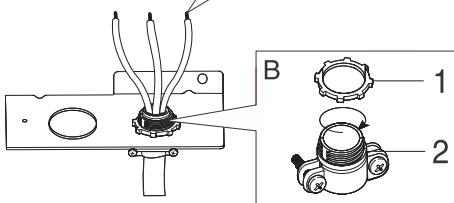


Retire la placa de conexión del conducto retirando dos tornillos y girándola, como se muestra abajo. Se debe usar el orificio del conducto (1 1/8"). Vuelva a apretar ambos tornillos.



Prepare el cable del conducto (sin aislamiento) como se muestra en la figura A.

Instale el cable del conducto en la placa de conexión como se muestra en la figura B.

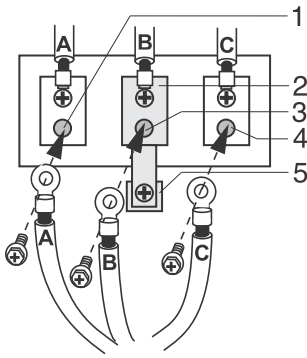


Inserte el alivio de tensión en el orificio del conducto (1 1/8"). Luego, pase el cable del conducto a través del cuerpo (2) del alivio de tensión y apriete el anillo (1). Vuelva a colocar la placa de conexión en su lugar y atornillela.

Conexión con cable de tres hilos

⚠ ADVERTENCIA!

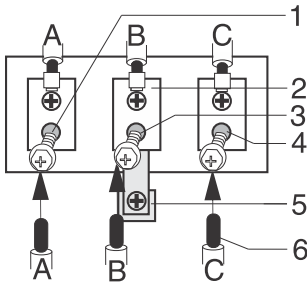
El hilo neutro o de tierra del cable de alimentación debe conectarse al terminal neutro ubicado en el centro del bloque de terminales. Los cables de alimentación deben conectarse a las terminales inferior izquierda e inferior derecha del bloque de terminales.



1. Vivo 1
 2. Cinta de tierra
 3. Terminal neutra
 4. Vivo 2
 5. Placa de tierra
- A. Negro (8 AWG)
B. Blanco (10 AWG)
C. Rojo (8 AWG)

- Retire los 3 tornillos de la parte inferior del terminal en el bloque de terminales. No afloje los tornillos superiores.
- Instale el kit del cable de tres hilos y el aliviador de tensión en el orificio de la placa de conexión.
- Conecte el cable central (blanco/neutro) al terminal central.
- Conecte los cables rojo y negro a los terminales exteriores.
- Empuje el cable hacia arriba (para aliviar la tensión), mientras aprieta la abrazadera de alivio de tensión.
- Apriete firmemente cada tornillo (35 a 50 in-lbs).

Conexión de conducto de tres hilos



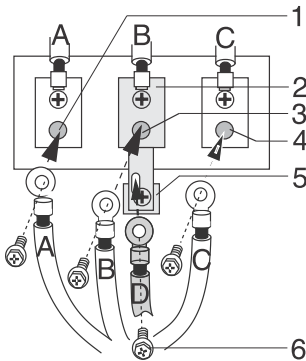
1. Línea 1
 2. Cinta de tierra
 3. Terminal neutra
 4. Vivo 2
 5. Placa de tierra
 6. Puntas de alambre
- A. Negro (8 AWG)
B. Blanco (10 AWG)
C. Rojo (8 AWG)

- Afloje los 3 tornillos terminales inferiores en el bloque de terminales. Pele el alambre para exponer una punta de aproximadamente 3/8" de largo.
- Inserte la punta del cable central (blanco/neutro) a través de la abertura del bloque de terminales central inferior. En ciertos modelos, el cable deberá insertarse a través de la abertura de la cinta de tierra y luego en la abertura del bloque central inferior. Inserte las dos puntas de los cables pelados laterales en las aberturas inferior izquierda e inferior derecha del bloque de terminales.
- Apriete los tornillos hasta que el cable esté firmemente asegurado (35 a 50 libra-pulgada). No apriete demasiado los tornillos.

Conexión del cable de cuatro hilos

ADVERTENCIA!

El cable neutro del circuito de alimentación debe conectarse al terminal neutro ubicado en el centro inferior del bloque de terminales. Los cables de alimentación deben conectarse a las terminales inferior izquierda e inferior derecha del bloque de terminales. El cuarto cable de conexión a tierra debe conectarse al marco de la estufa con la placa de tierra y el tornillo de tierra.

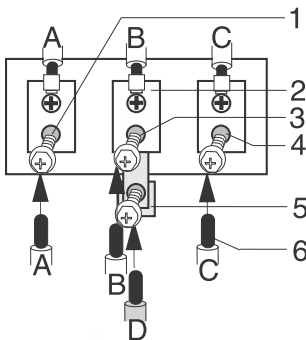


1. Vivo 1
2. Cinta de tierra
3. Terminal neutra
4. Vivo 2
5. Placa de tierra
6. Tornillo de tierra

- A. Negro (8 AWG)
B. Blanco (10 AWG)
C. Rojo (8 AWG)
D. Verde (10 AWG)

- Quite los 3 tornillos inferiores del bloque de terminales. No afloje los tornillos superiores.
- Retire el tornillo de tierra y la placa de tierra y consérvelos.
- Corte la cinta de tierra debajo del bloque de terminales y deseche la sección inferior.
- Inserte el tornillo de conexión a tierra a través del anillo de alambre de conexión a tierra del cable de alimentación a través de la placa de conexión a tierra, y vuelva a introducirlo en el marco de la estufa. Apriete firmemente, pero no demasiado (15 a 20 libra-pulgadas).
- Inserte los 3 tornillos terminales a través de cada anillo terminal del cable de alimentación y de nuevo al bloque terminal. Asegúrese de que el cable blanco esté en el centro.
- Apriete firmemente cada tornillo (35 a 50 in-lbs).

Conexión del conducto de cuatro hilos



1. Vivo 1
2. Cinta de tierra
3. Terminal neutra
4. Vivo 2
5. Placa de tierra
6. Tornillo de tierra
7. Puntas de alambre

- A. Negro (8 AWG)
B. Blanco (10 AWG)
C. Rojo (8 AWG)
D. Verde (10 AWG)

- Afloje los 3 tornillos terminales inferiores en el bloque de terminales. Pele el cable hasta exponer una punta de aproximadamente 3/8" de largo.
- Retire el tornillo de tierra y la placa de tierra y consérvelos. Corte la correa de tierra abajo del bloque de terminales y deseche la sección inferior. Inserte el tornillo de tierra a través de la placa de tierra (que ha retirado antes) y vuelva a colocarlo en el terminal.
- Inserte la punta del cable de tierra en el tornillo y la placa de tierra. Apriete firmemente, pero no en exceso (15 a 20 pulg-lbs).
- Inserte la punta del cable central (blanco/neutro) a través de la abertura del bloque de terminales central inferior. En ciertos modelos, el cable deberá insertarse a través de la abertura de la cinta de tierra y luego en la abertura del bloque central inferior. Inserte las dos puntas de los cables pelados laterales en las aberturas inferior izquierda e inferior derecha del bloque de terminales.
- Apriete los tornillos hasta que el cable esté firmemente asegurado (35 a 50 libra-pulgadas). No apriete demasiado los tornillos.



NOTA!

CABLEADO DE ALUMINIO: Se puede usar cable de construcción de aluminio, pero debe estar certificado para el amperaje y el voltaje correctos.

Vuelva a colocar la cubierta del cable

Vuelva a colocar la cubierta del cable en la parte posterior de la estufa deslizando su borde izquierdo debajo de las pestañas de retención y vuelva a colocar los tornillos que quitó antes. Asegúrese de que no queden cables atrapados entre la cubierta y la parte posterior de la estufa.

Instalación del dispositivo antivuelco

Riesgo de vuelco



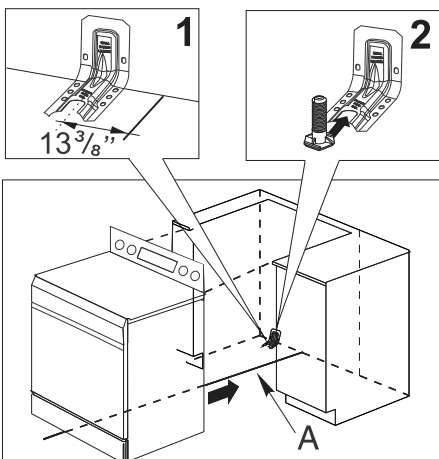
ADVERTENCIA!

- **Tanto un niño como un adulto podrían volcar la estufa, con riesgo de muerte.**
- **Instale el soporte antivuelco en la pared o el piso.**
- **Enganche la estufa al soporte antivuelco deslizándola hacia atrás de modo que la pata quede enganchada.**
- **Vuelva a enganchar el dispositivo antivuelco si mueve la estufa.**
- **Consulte las instrucciones de instalación para ver más detalles.**
- **No tomar estas medidas puede provocar la muerte o accidentes con quemaduras graves en niños o adultos.**
- **Asegúrese de que la pata niveladora trasera esté completamente insertada dentro del soporte antivuelco.**

Soporte antivuelco

Instale el soporte antivuelco (Kit del soporte antivuelco incluido)

- Determine qué método de montaje utilizará: suelo o pared. Si tiene un piso de piedra o mampostería, puede utilizar el método de montaje en la pared. Si está instalando la estufa en una casa móvil, debe asegurarla al piso.
- Este soporte y los tornillos antivuelco se pueden utilizar con tapones de madera o metal.



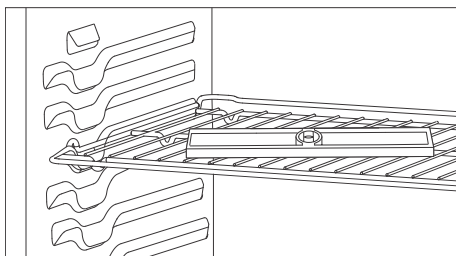
- Determine y marque la línea central del espacio de corte (1). El soporte de montaje se puede instalar tanto en el lado izquierdo como en el lado derecho del área cortada. Coloque el soporte de montaje contra la pared en el área cortada, de modo que el centro del recorte del soporte quede a 13 3/8" (34 cm) de la línea central (A).
- Perfore dos orificios de 5/32" (4 mm) que correspondan a los orificios del soporte para el método de montaje determinado.
- Usando los dos tornillos Phillips de 3/16 x 2" (4,8 x 50 mm) provistos, monte el soporte antivuelco a la pared o el piso. Para la instalación en la pared, los tornillos deben acoplarse a un material sólido como un perno, una viga de suelo o una viga de zócalo.

- Mueva la estufa lo suficientemente cerca de la abertura para permitir las conexiones eléctricas finales.
- Retire la base, el cartón o los tableros rígidos el embalaje que se encuentran debajo de la estufa.
- Mueva la estufa a su ubicación final, asegurándose de que la pata niveladora trasera se deslice hacia adentro del soporte antivuelco (2).

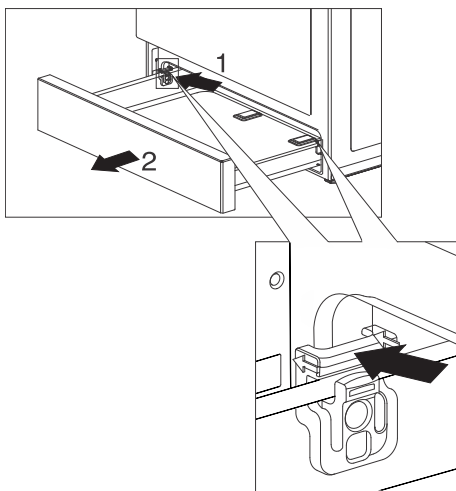
Nivelar la estufa

⚠ ADVERTENCIA!

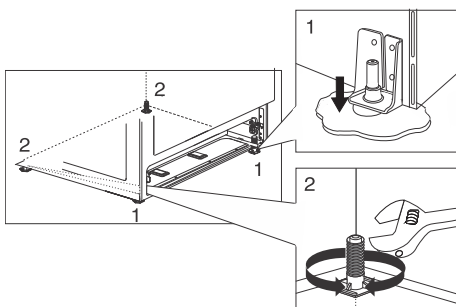
Nunca retire completamente la pata niveladora ya que la estufa no se asegurará correctamente al dispositivo antivuelco.



- Coloque los estantes en el horno y ubique la estufa en el lugar donde desea instalarla.
- Compruebe que la superficie es pareja colocando un nivel de burbuja en uno de los estantes del horno. Tome dos lecturas, con el nivel colocado en diagonal primero en una dirección y luego en la otra.



- Retire el cajón.



- Nivele la estufa ajustando las patas niveladoras con una llave.
- Puede ajustar las patas niveladoras delanteras con una llave desde la parte superior o girando la pata.
- Las patas traseras se pueden ajustar desde la parte superior de la pata (2) a través de la abertura de la gaveta.

Lista de verificación final de la instalación

- Verifique que el disyuntor esté cerrado o que los fusibles del circuito estén en su lugar.
- Asegúrese de que haya electricidad en el edificio.
- Compruebe que se hayan retirado todos los materiales y cintas de embalaje. Esto incluye la cinta en el panel de metal que se encuentra debajo las perillas de control (si corresponde), cinta adhesiva, ataduras de cables, cartón y plásticos protectores. Si no retira estos materiales, el aparato podría sufrir daños cuando se encienda y se calienten las superficies.
- Compruebe que la puerta y el cajón queden paralelos entre sí y que ambos funcionen sin obstrucciones. Si no es así, consulte el manual de usuario.
- Asegúrese de que la pata niveladora trasera esté completamente insertada dentro del soporte antivuelco.

Lista de verificación de funcionamiento

- Asegúrese de que el flujo de aire de combustión y ventilación de la estufa no esté obstruido. No bloquee la parte delantera de la estufa con alfombras o tapetes que puedan bloquear el flujo de aire de la base. Asegúrese de que la ventilación del horno que se encuentra en la placa de cocción no esté bloqueada.



- Asegúrese de que todos los controles del aparato estén en la posición de apagado (OFF) antes de alejarse de la estufa.



Hisense
life reimagined



854935-a19

