

24" Built-In Custom Panel Bottom Freezer

800 Series – Custom Panel B09IB80NSP



B09IB80NSP
Custom Panel

The 24" Custom Panel bottom freezer provides a new solution for small kitchen spaces requiring large Frig / Freezer storage.

Features & Benefits

Installs completely flush.

Bright all LED lighting shines throughout the entire interior.

Optiflex® Hinge allows flush-mount doors with no worry about cabinetry.

ENERGY STAR® qualified for energy efficiency.

General Properties	
Reversible door hinge	Yes
Water filter	No
Lighting	Maintenance-free LED lighting
Defrost process refrigerator section	Frost-free
Number of shelves - refrigerator	5
Adjustable shelves - refrigerator	4
Shelf material - refrigerator	Glass w/metal trim
Type of shelves - refrigerator	4 adjustable, 1 varial shelf
Gallon storage bins	No
Humidity control drawer	Yes
Defrost process freezer section	Automatic
Number of drawers - freezer	3
Ice maker	No
Quick ice	No
Capacity	
Total unit gross capacity (cu. ft.) - AHAM	9.6 cu. ft.
Refrigerator gross capacity (cu. ft.)	6.6 cu. ft.
Freezer gross capacity (cu. ft.)	3 cu. ft.
Total unit net capacity (cu. ft.)	9.05 cu. ft.

Technical Details	
Watts (W)	90 W
Current (A)	10 A
Volts (V)	120 V
Frequency (Hz)	60 Hz
Power cord length (in.)	90"
Plug type	3-Prong
Dimensions & Weight	
Appliance dimensions (H x W x D) (in.)	69 3/4" x 22" x 21 1/2"
Required cutout size (H x W x D) (in.)	70" x 22 1/4" x 24 3/4"
Net weight (lbs)	151
Efficiency	
ENERGY STAR® qualified	YES
Energy consumption (kWh/yr)	394 kWh



For help and assistance with Bosch accessories please visit: www.bosch-eshop.com/eshop/bosch/us or call 1-800-944-2904 Mon-Fri 5am to 6pm PST Sat 6am to 3pm PST

Notes: All height, width and depth dimensions are shown in inches. BSH reserves the absolute and unrestricted right to change product materials and specifications, at any time, without notice. Consult the product's installation instructions for final dimensional data and other details prior to making cutout. Applicable product warranty can be found in accompanying product literature or you may contact your account manager for further details.

Warranties: Bosch warrants that the Product is free from defects in materials and workmanship for a period of three hundred and sixty-five (365) days from the date of purchase. The foregoing timeline begins to run upon the date of purchase, and shall not be stalled, tolled, extended, or suspended, for any reason whatsoever. This Product is also warranted to be free from cosmetic defects in material and workmanship (such as scratches of stainless steel, paint/porcelain blemishes, chip, dents, or other damage) to the finish of the Product, for a period of thirty (30) days from the date of purchase or closing date for new construction. This cosmetic warranty excludes slight color variations due to inherent differences in painted and porcelain parts, as well as differences caused by kitchen lighting, product location, or other similar factors. This cosmetic warranty specifically excludes any display, floor, "As Is", or "B" stock appliances.

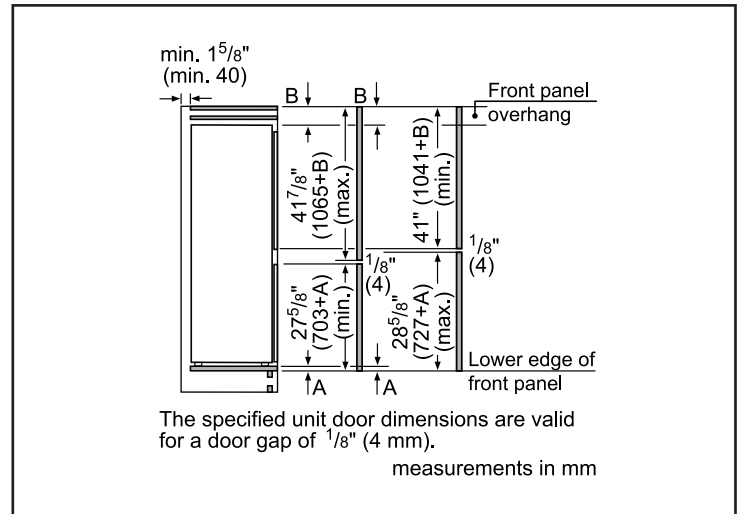
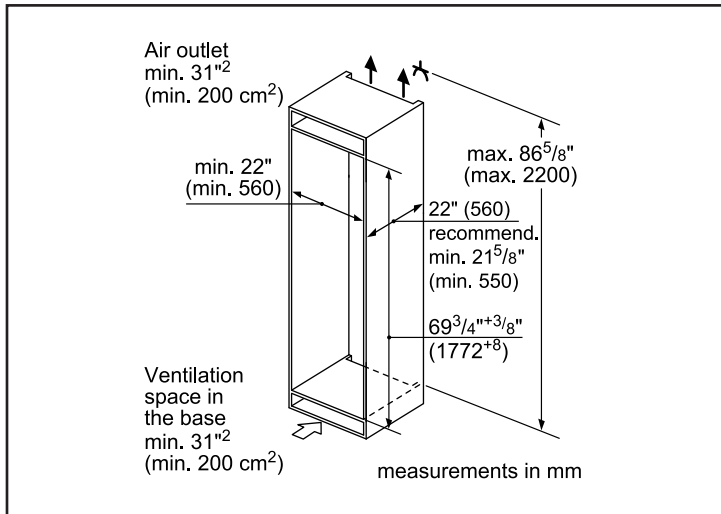
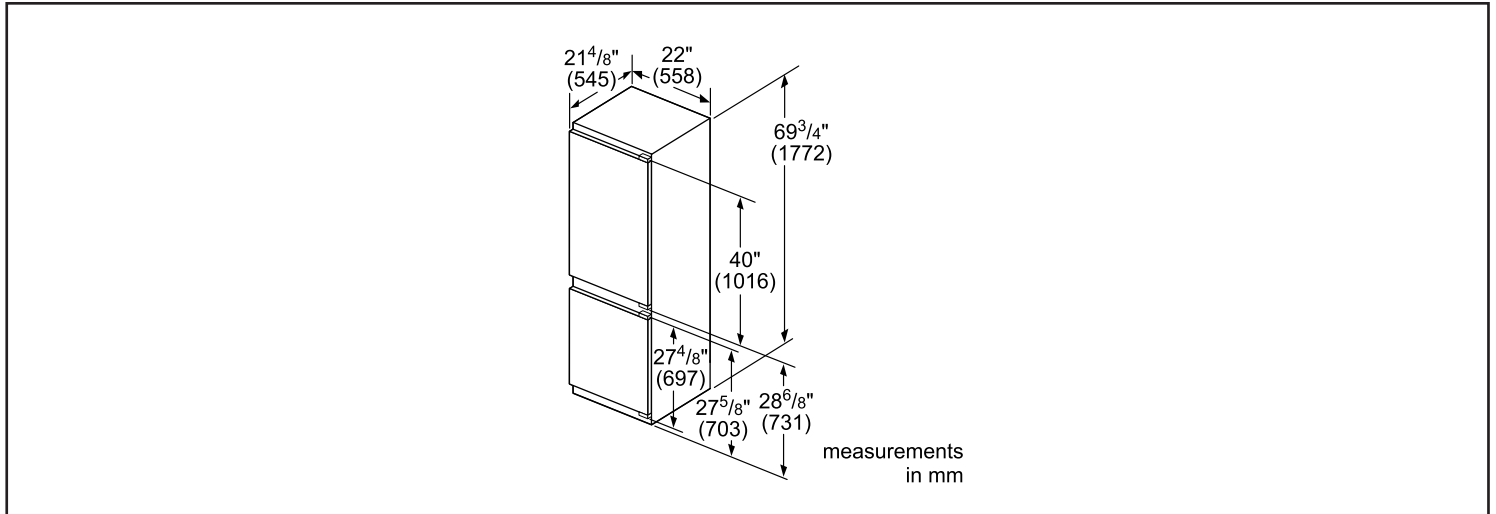
For more information on our entire line of products, go to www.bosch-home.com/us or call 1-800-944-2904

© BSH Home Appliances Corporation. All rights reserved. Bosch is a registered trademark of Robert Bosch GmbH.

24" Built-In Custom Panel Bottom Freezer

800 Series – Custom Panel B09IB80NSP

Installation Details



For help and assistance with Bosch accessories please visit: www.bosch-eshop.com/eshop/bosch/us or call 1-800-944-2904 Mon-Fri 5am to 6pm PST Sat 6am to 3pm PST

Notes: All height, width and depth dimensions are shown in inches. BSH reserves the absolute and unrestricted right to change product materials and specifications, at any time, without notice. Consult the product's installation instructions for final dimensional data and other details prior to making cutout. Applicable product warranty can be found in accompanying product literature or you may contact your account manager for further details.

Warranties: Bosch warrants that the Product is free from defects in materials and workmanship for a period of three hundred and sixty-five (365) days from the date of purchase. The foregoing timeline begins to run upon the date of purchase, and shall not be stalled, tolled, extended, or suspended, for any reason whatsoever. This Product is also warranted to be free from cosmetic defects in material and workmanship (such as scratches of stainless steel, paint/porcelain blemishes, chip, dents, or other damage) to the finish of the Product, for a period of thirty (30) days from the date of purchase or closing date for new construction. This cosmetic warranty excludes slight color variations due to inherent differences in painted and porcelain parts, as well as differences caused by kitchen lighting, product location, or other similar factors. This cosmetic warranty specifically excludes any display, floor, "As Is", or "B" stock appliances.

For more information on our entire line of products, go to www.bosch-home.com/us or call 1-800-944-2904

© BSH Home Appliances Corporation. All rights reserved. Bosch is a registered trademark of Robert Bosch GmbH.