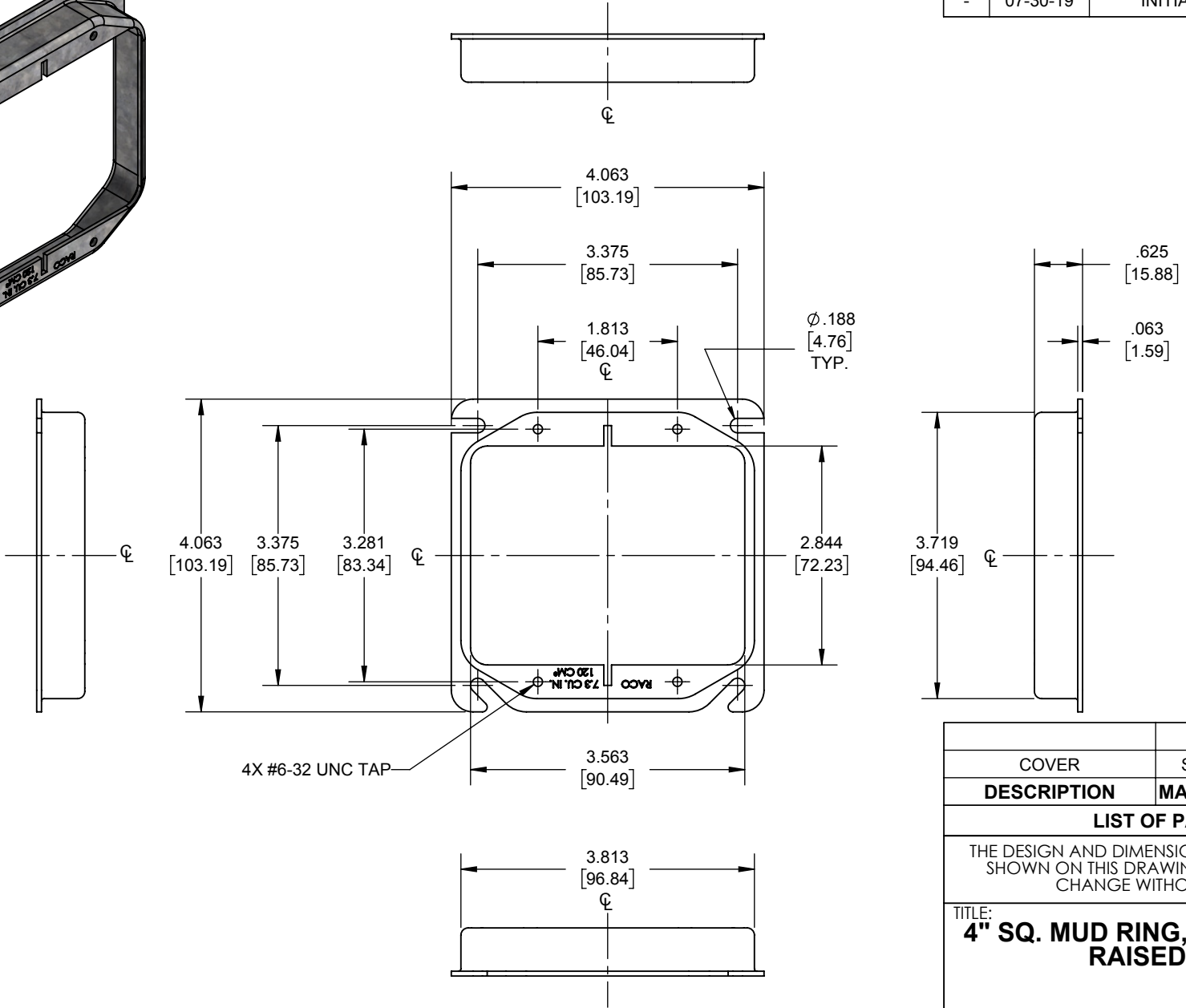
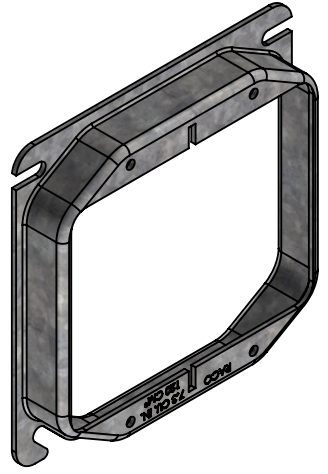


REVISIONS			
REV.	DATE	DESCRIPTION	BY:
-	07-30-19	INITIAL RELEASE	RMV

FILE NO.:
769 CUS



COVER	STEEL	GALVANIZED
DESCRIPTION	MATERIAL	FINISH

LIST OF PARTS

THE DESIGN AND DIMENSIONS OF THE PRODUCT SHOWN ON THIS DRAWING ARE SUBJECT TO CHANGE WITHOUT NOTICE

TITLE:
4" SQ. MUD RING, TWO DEVICE, RAISED 5/8"

TOLERANCE UNLESS OTHERWISE SPECIFIED .XX DECIMAL ± .015 .XXX DECIMAL ± .005 ANGLE ± 2°			DRAWN BY:	RMV	SCALE:	SIZE:
			APP. BY:	N.S.		
	DATE:	07-30-19	1:2	A		

- NOTES:
1. ALL DIMENSIONS ARE IN INCHES AND [MILLIMETERS]
 2. BOX VOLUME: 7.3 IN³ [120 CM³]
 3. cULus LISTED

769
DIMENSION SHEET FOR CAT. NO.

8.5in*1in