

LSEL6335LE

6.3 cu. ft. Electric Slide-In Range with ProBake Convection®, InstaView® and New Premium Handle

6.3 cu. ft. Large Capacity

ThinQ® Technology with ThinQ Care & ThinQ UP

Fan Convection® with Air Fry

EasyClean® and Self Clean

SmoothTouch® Glass Controls

Flex Control Knobs

InstaView® WideView™ Window

Premium Handle

ENERGY STAR® Certified



AVAILABLE COLORS



PRINTPROOF® STAINLESS STEEL



ThinQ Care

Proactive Smart Alerts to Keep Your Appliances Running Smoothly

- Preventative Alerts help you stay a step ahead of potential issues to find proactive solutions before problems arise.
- Avoid preventable repairs and service calls with real-time diagnostics for a hassle-free experience.
- Integrated within LG's ThinQ app—a smart home hub for managing your smart devices and appliances.

SUMMARY

Type	Electric Single Oven Slide In
Total Oven Capacity (cu.ft.)	6.3
Size in Width (in)	30"
Storage Drawer	Yes
Available Colors	PrintProof® Stainless Steel
Oven Door Feature	InstaView® WideView™ Window with Premium Handle
Energy Star® Certified	Yes
Fuel Type	Electric
COOKTOP	
Type	Radiant, Ceramic Glass
Number of Burners	5
Element Size/ Wattage - Left Rear	6" Single - 1200W
Element Size/ Wattage - Right Rear	6" Single - 1200W
Element Size/ Wattage - Left Front	9" / 6" Dual 3200W UltraHeat™
Element Size/ Wattage - Right Front	12"/9", 3000W
Element Size/ Wattage - Center Rear	7" Single, 100W Warming Zone
Safety Knobs	Yes
Hot Surface LED Indicator	Yes
Cooktop Finish	Black Ceramic + Grey Pattern
OVEN FEATURES	
Capacity (cu.ft.)	6.3
Convection Type	Fan Convection
Convection Conversion	Yes
Oven Bake Element Power	3400W
Broil Element Power	4200W
Air Fry	Yes
Easy Clean®	Yes (10mins)
Self Clean	Yes

Oven Mode

Instaview	Yes
Number of Rack Position	7
12 hrs. Auto Shut-off	Yes
CONTROL FEATURES	
Oven control Type	SmoothTouch™ Glass Controls
Display	LED Display
Language	English
Timed Cook	Yes
Clock	12hr or 24hr
Temperature Unit of Measure	Fahrenheit / Celcius
Certified Sabbath Mode	Yes
Energy Star® Certified	Yes
SMART FEATURES	
Smart ThinQ® Technology	Yes
Check & Control	Yes
Voice Control	Yes (Google, Alexa)
Smart Recipe (3rd Party Recipe App)	SideChef
ThinQ Care™	Yes
ThinQ Up™	Yes
SmartDiagnosis™	Yes
Hood / OTR / Cooktop Sync	Yes
ACCESSORIES	
Standard Racks	Yes (2)
Air Fry Tray	Yes (1)
Cooktop Cleaner	Yes
Scouring Pad	Yes (1)

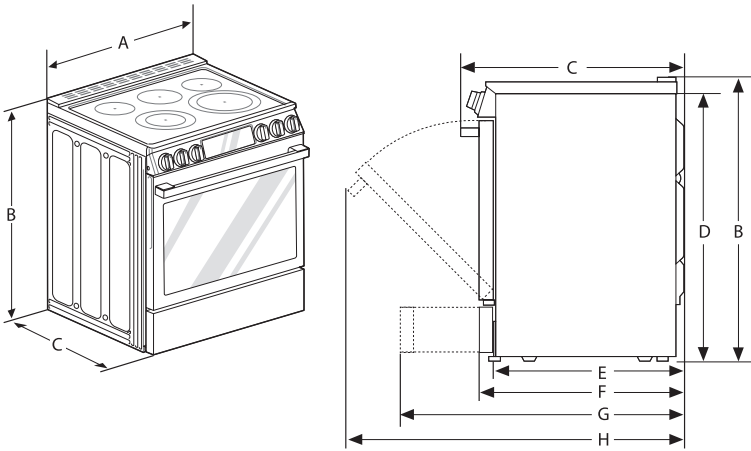
Bake, Convection Bake, Convection Roast, Broil High, Broil Low, Warm, Keep Warm, Proof, Frozen Meal, Air Fry, Slow Cook, EasyClean®, Self Clean

POWER/ RATINGS

Amp at 208V	47.1A
Amp at 240V	54.2A
kW at 208V	9.8kW
kW at 240V	13.0kW
Required Power Supply	40A
DIMENSIONS/ CLEARANCES/ WEIGHT	
Product Dimensions (WxHxD)	29 7/8" x 36 1/2" x 29 5/16"
Overall Depth (in) - without handle	26 7/8"
Overall Depth (in) - with handle	29 5/16"
Oven Interior Dimensions (W x H x D)	24 7/8" x 21 3/8" x 20"
Height to Cooking Surface (in)	36"
Caninet Width	30"
Drawer Dimensions (WxHxD)	22 3/16" x 4 1/2" x 16 3/8"
Shipping Dimensions (WxHxD)	32 1/2" x 44" x 30 1/2"
Product Weight (lbs.)	166
Shipping Weight (lbs.)	197
LIMITED WARRANTY	
Parts & Labor	1 Year
UPC CODE	
LSEL6335LE	048231351256

LSEL6335LE

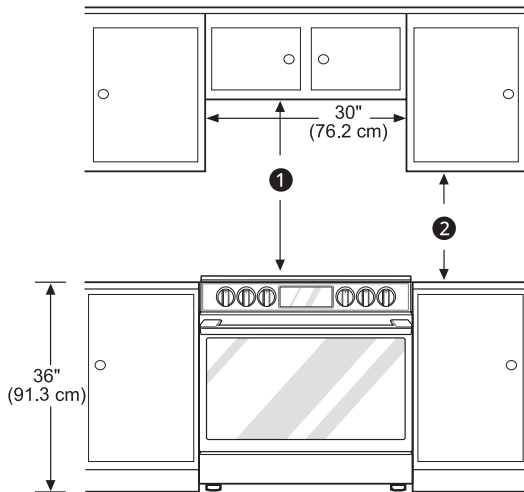
DIMENSION / CLEARANCES



DIMENSIONS	
A	Width 29 7/8" (759 mm)
B	Height 36 1/2" (928 mm)
C	Depth (Includes Door Handle) 29 1/4" (742 mm)
D	Height (Excludes Vent Trim) 36 1/8" (916 mm)
E	Depth (Includes only the product body that is loaded into the cabinet. Excludes door, drawer, and handles) 24 5/8" (627 mm)
F	Depth (Excludes Door Handle) 26 7/8" (683 mm)
G	Depth when drawer is fully opened 38 1/4" (973 mm)
H	Depth when door is fully opened 48 1/2" (1233 mm)

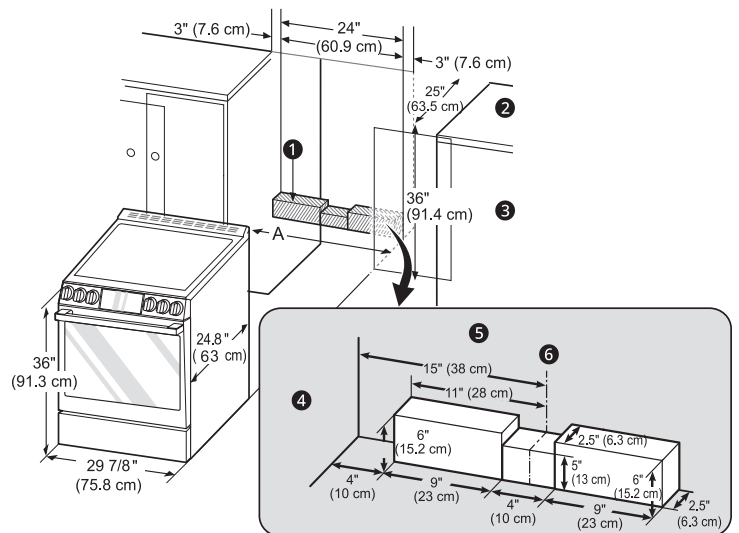


Minimum Dimensions



1 30" (76.2 cm) minimum clearance between the top of the cooking surface and the bottom of an unprotected wood or metal cabinet; or 24" (60.9 cm) minimum when bottom of wood or metal cabinet is protected by not less than 1/4" (0.64 cm) flame retardant millboard covered with not less than no. 28 MSG sheet steel, 0.015" (0.381 mm) stainless steel, 0.024" (0.610 mm) aluminum or 0.020" (0.508 mm) copper.

2 15" (38.1 cm) minimum between countertop and adjacent cabinet bottom.



1 Acceptable electrical outlet area

2 Normal counter top depth

3 Counter top height

4 Cabinet

5 Wall

6 Center

A (Cabinet opening)

= 30" (76.2 cm) For U.S.A

= 30" (76.2 cm) - 31" (78.7 cm) For CANADA