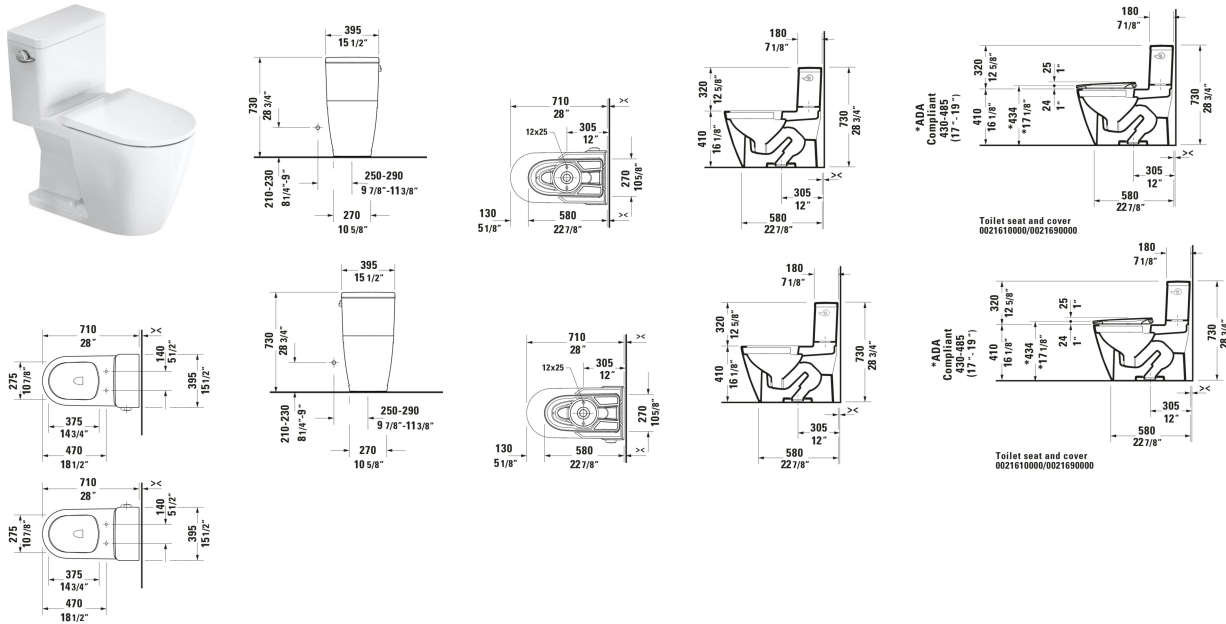


**D-Neo One Piece Toilet # 200801..U3 / 200801..U4 / 200801..U3 / 200801..U4**

| < 15 1/2 " > |



| One Piece Toilet  | Dimension         | Weight     | Order number |
|---|-------------------|------------|--------------|
| 28 " , elongated, White High Gloss, Single Flush, Siphonic, Flushing rim: Rimless, Outlet: vertical, Trip lever placement: Left/Right, Rough-in: 12 " |                   |            |              |
| <b>Colors</b>   |                   |            |              |
| 00 White 20 HygieneGlaze (an antibacterial ceramic glaze that provides almost indefinite effectiveness)   |                   |            |              |
| <b>Variant</b>  |                   |            |              |
| Flush water quantity: 1.28/0.8 gal, Trip lever placement: Left, WaterSense: Yes, cUPC listed: Yes, cC/IAPMO®: No                                      | 15 1/2 "x28 3/4 " | 124.341 lb | 200801..U3   |
| Flush water quantity: 1.28/0.8 gal, Trip lever placement: Right, WaterSense: Yes, cUPC listed: Yes, cC/IAPMO®: No                                     | 15 1/2 "x28 3/4 " | 124.341 lb | 200801..U4   |
| HygieneGlaze, Flush water quantity: 1.28 gal, Trip lever placement: Left, WaterSense: Yes, cUPC listed: Yes, cC/IAPMO®: No                            | 15 1/2 "x28 3/4 " | 124.341 lb | 200801..U3   |
| HygieneGlaze, Flush water quantity: 1.28 gal, Trip lever placement: Right, WaterSense: Yes, cUPC listed: Yes, cC/IAPMO®: No                           | 15 1/2 "x28 3/4 " | 124.341 lb | 200801..U4   |
| <b>Spare parts</b>  |                   |            |              |
| Installation Set  | 2 3/8 x 5 1/8 "   | 1.874 lb   | 001417       |
| <b>Suitable products</b>  |                   |            |              |
| Toilet Seat , 19 1/4 x 14 3/4 "   | 19 1/4 x 14 3/4 " |            | 002621       |

**D-Neo One Piece Toilet # 200801..U3 / 200801..U4 / 200801..U3 / 200801..U4**

---

|< 15 1/2 " >|

|                                 |                   |        |
|---------------------------------|-------------------|--------|
| Toilet Seat , 19 1/4 x 14 3/4 " | 19 1/4 x 14 3/4 " | 002629 |
|---------------------------------|-------------------|--------|

*All drawings contain the necessary measurements which are subject to standard tolerances. They are stated in inch & mm and are non-binding. Exact measurements, in particular for customized installation scenarios, can only be taken from the finished ceramic piece.*