

# Pre-assembly



1. Two or more people are required for assembly.



2. You will need one or more stepladders.



3. Wearing protective gloves is recommended.



4. You may need a safety hat.



5. Please use a Phillips screw driver.



6. For ease of construction, you may need a drill.



7. You may need a safety goggle.



8. Do not fully tighten screws prior to complete assembly.

## Warning & Attention

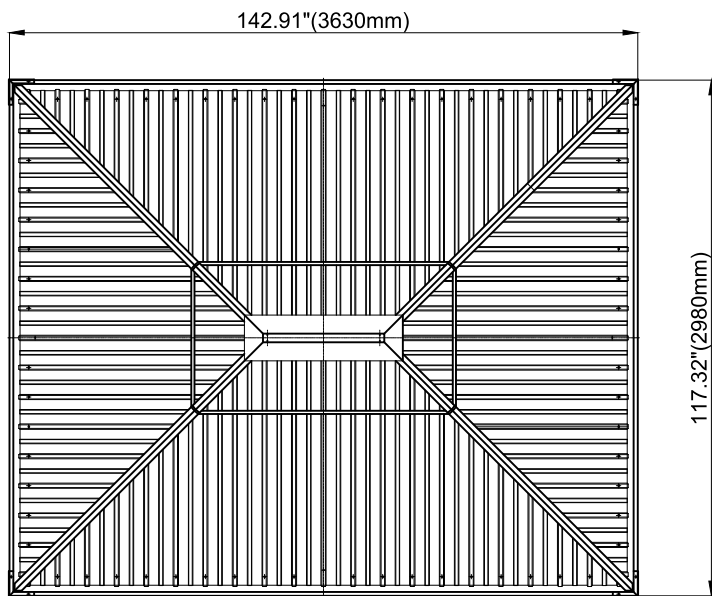
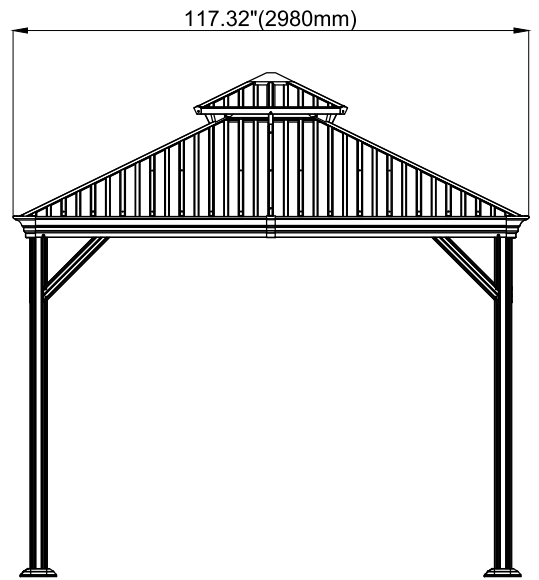
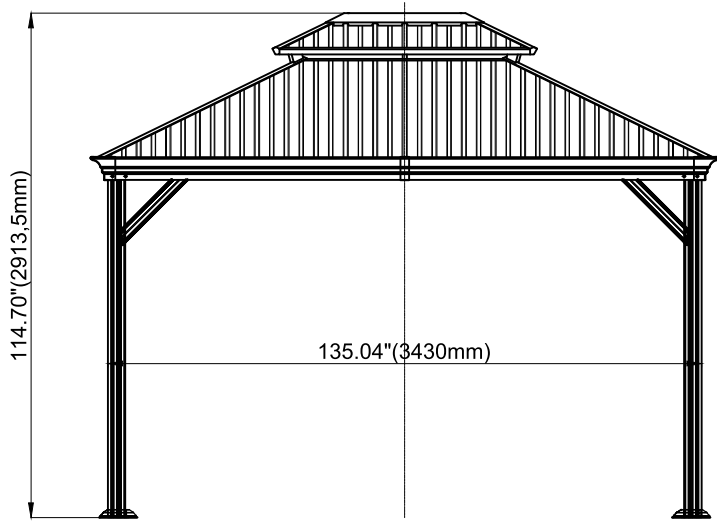
-Try to assemble this product on the flat ground, otherwise it is difficult to carry out;

-It would be much easier to assemble the product with three or more people;

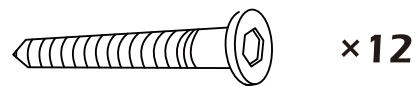
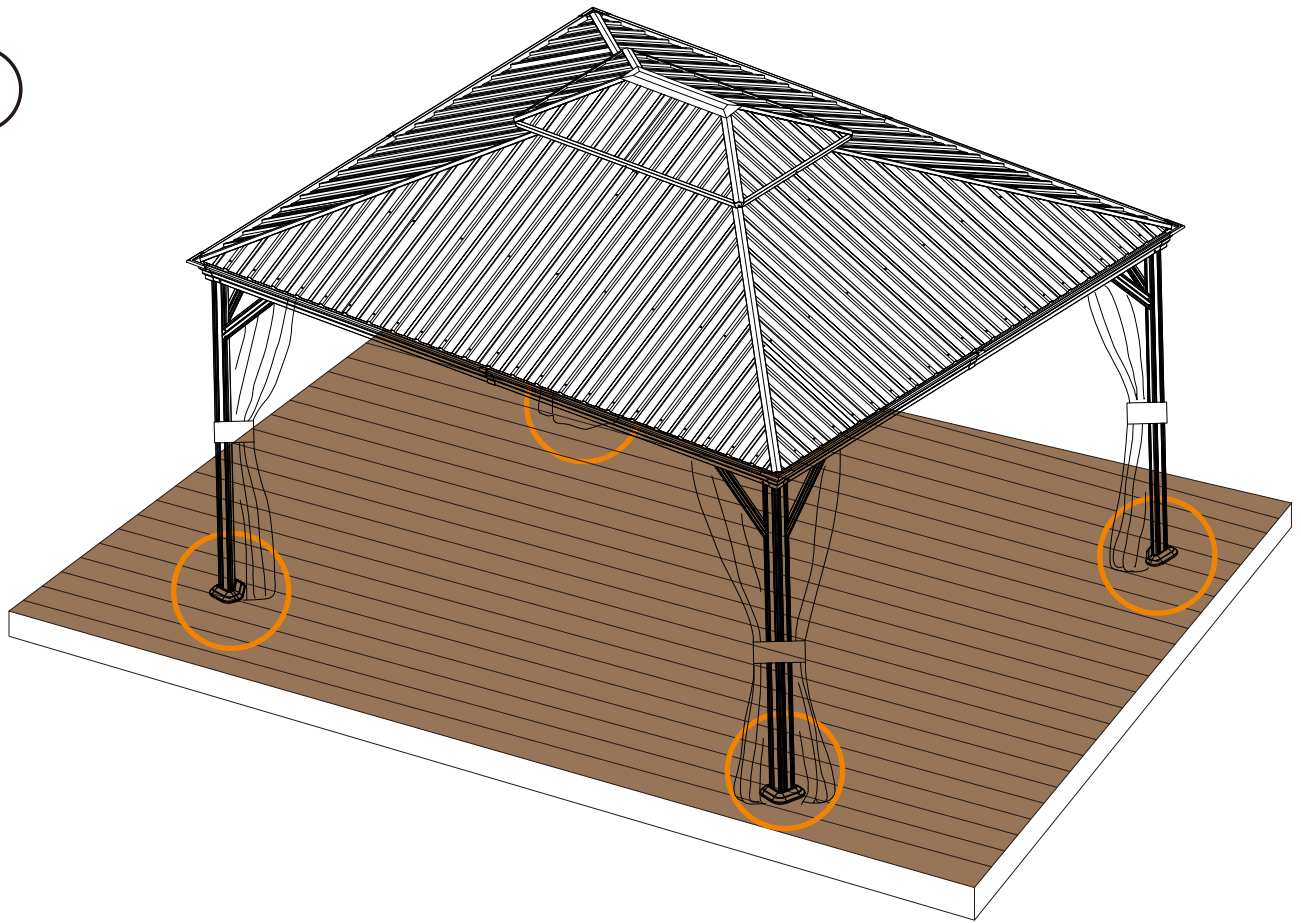
-After assembly, please check whether all screws are tightened, to prevent parts from falling apart.

**▲** Use bolts to secure the frame to the ground to against the strong wind.

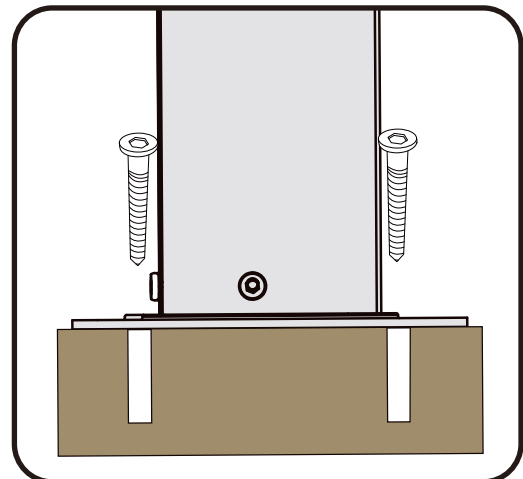
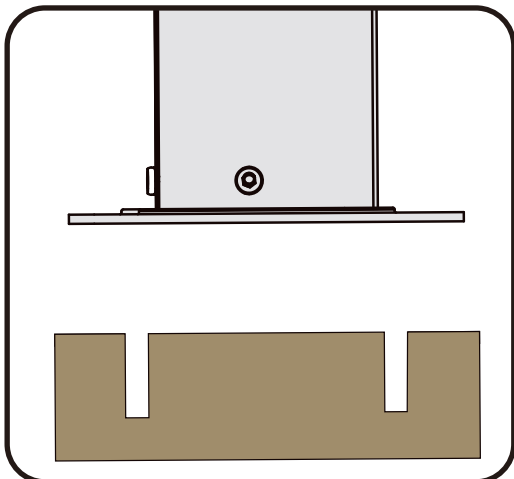
**IMPORTANT:** A gaze may entail to purchase a municipal permit or be subject to specific building codes. It is the consumer's responsibility to inform themselves of any restrictions.



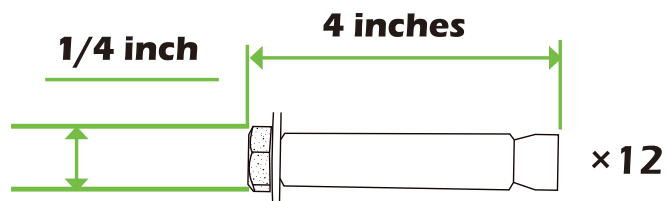
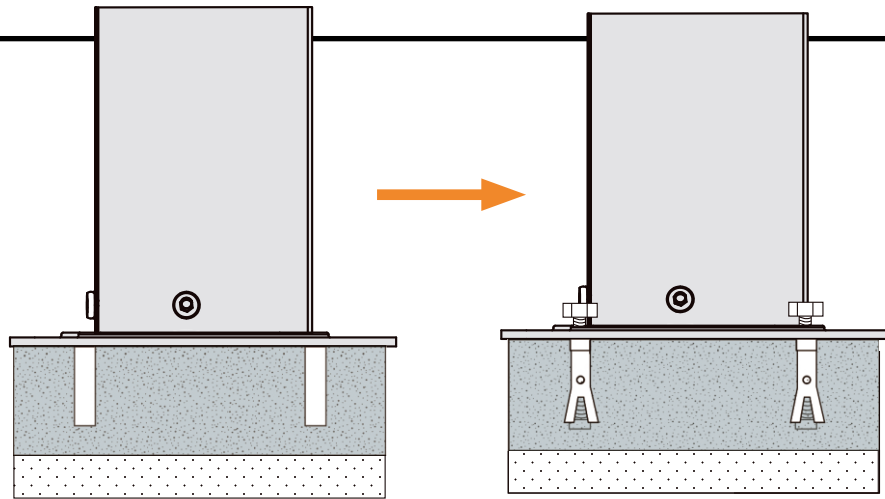
1



If the deck is hard wood and the depth of it is over 3 inch, you can use **5/16 in. x4 in. Structural Wood Screw** to mount the gazebo.

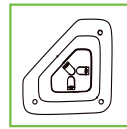
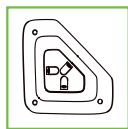


2



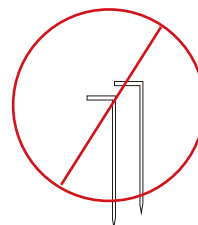
If the ground is concreted and the depth of it is over 3 inch, you can use 1/4 inch expansion bolts to mount the gazebo


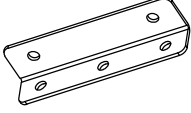





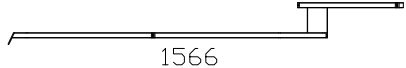

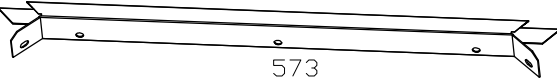

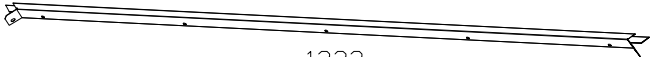
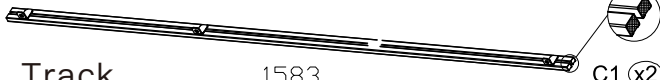
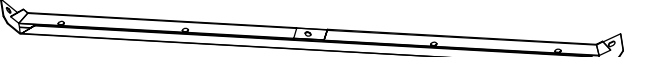

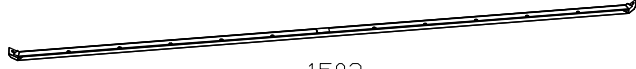


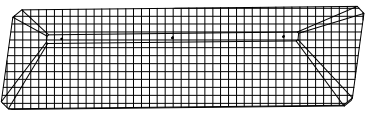
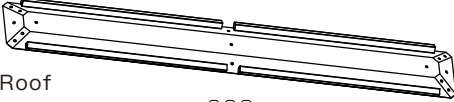
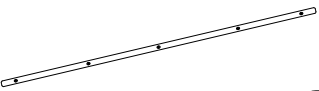
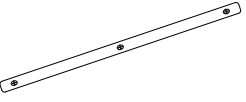



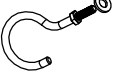
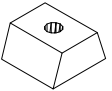

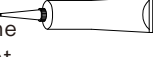


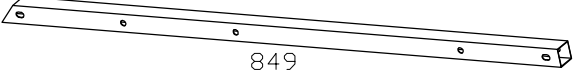
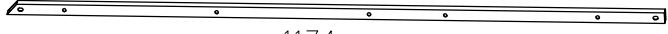


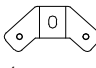

3

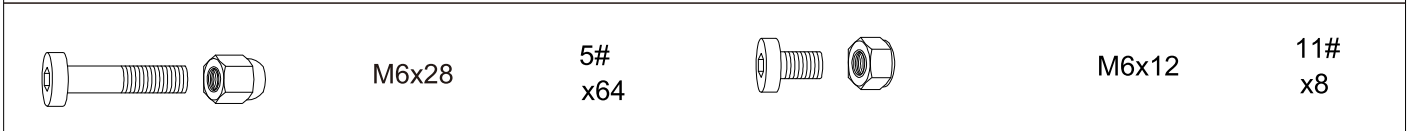
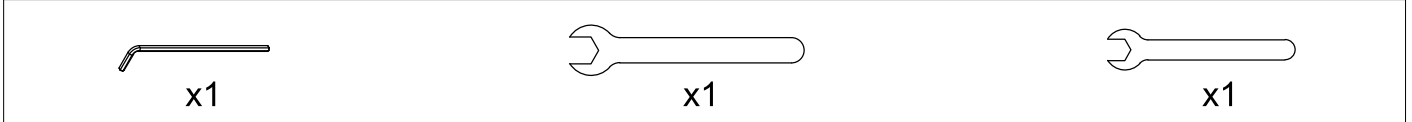
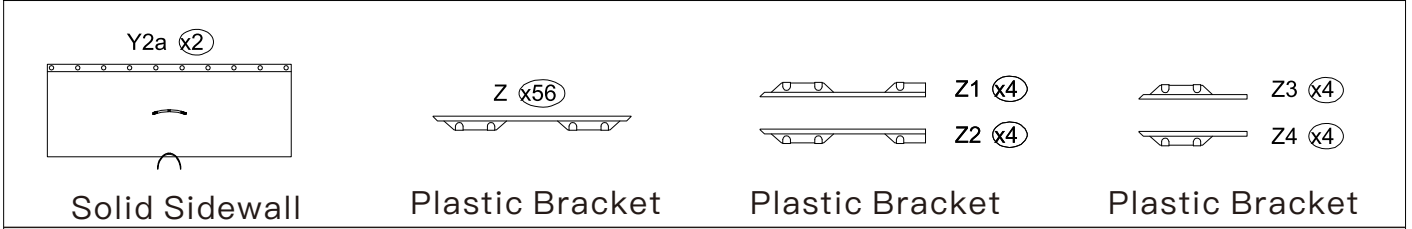
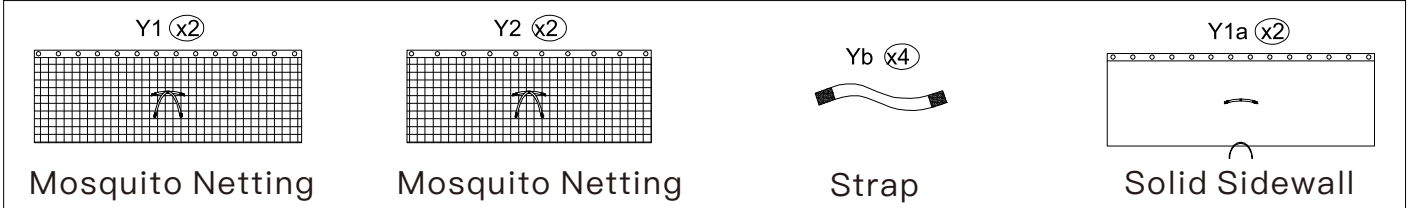
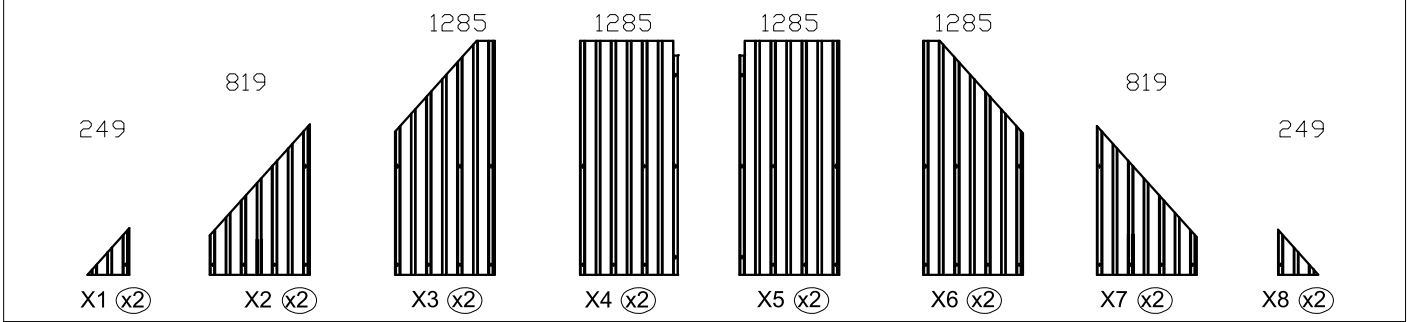
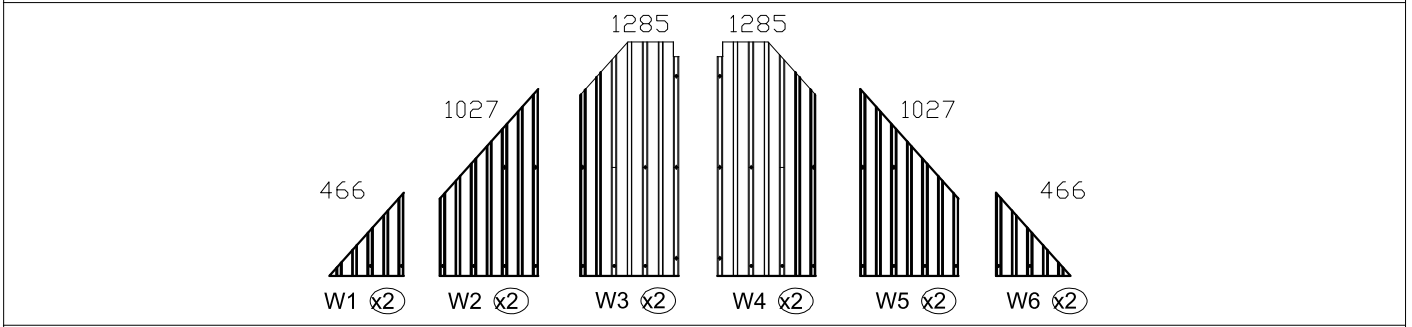
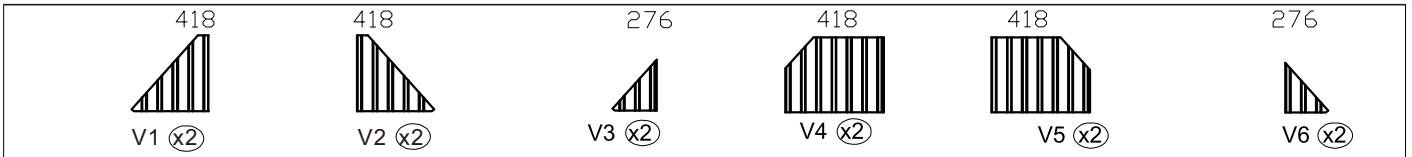


Or you can make a concrete footing for gazebo, **15×15×15 inches** is recommended. use expansion bolts to mount the pergola like ② shows.

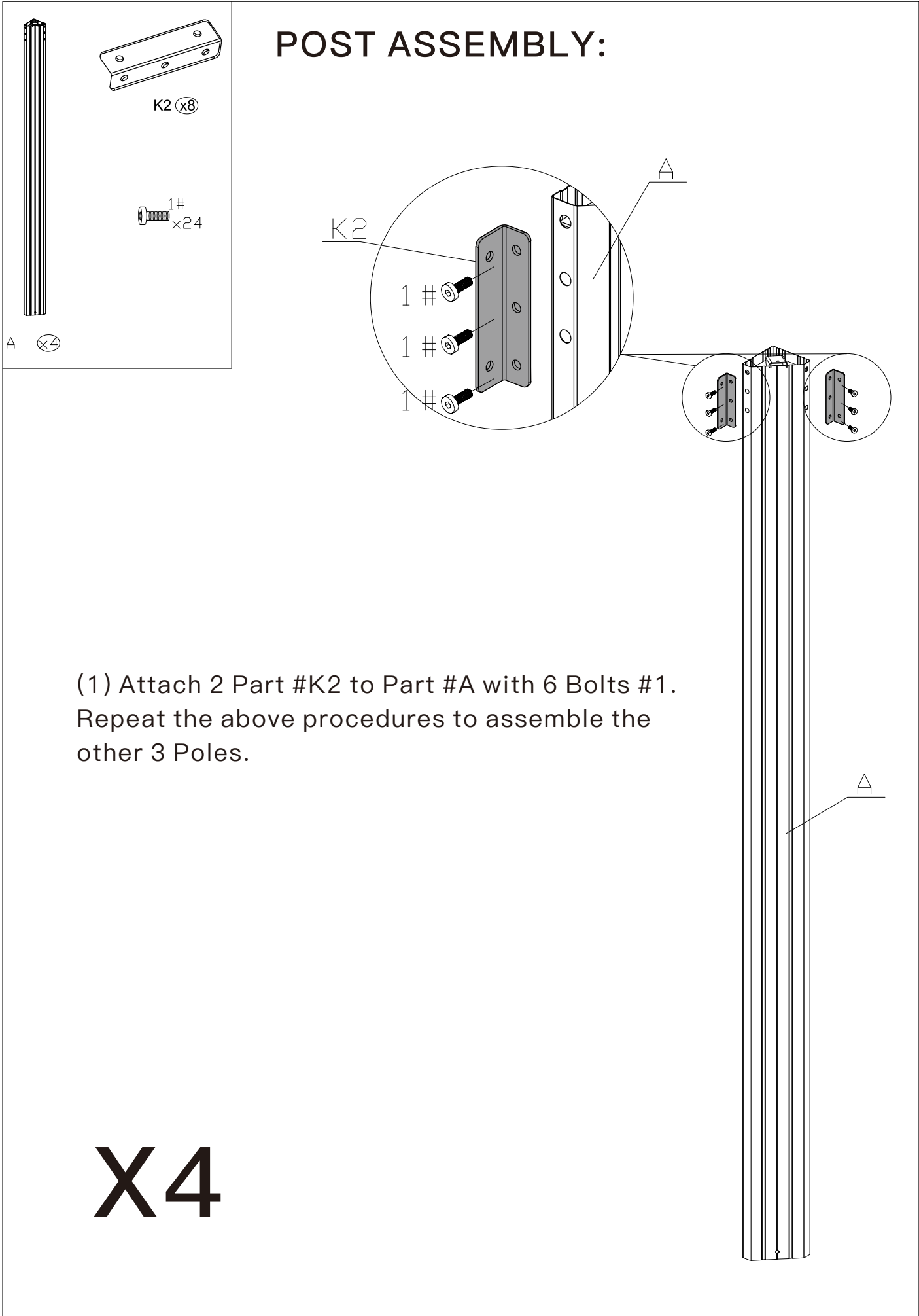
**IMPORTANT:**  
Anchor is not recommended



 Pole 2080 A (x4)		 Bracket K2 (x8)	
 Beam 1715 B (x2)		 Corner Roof Tube Connector 565 L (x4)	
 Beam 1715 B1 (x2)		 Corner Roof Tube 1775 L1 (x4)	
 Beam 1390 B2 (x2)		 Roof Tube 1566 M (x4)	
 Beam 1390 B3 (x2)		 Finishing Bar 573 N (x2)	
 Track 1583 C (x2)		 Finishing Bar 1223 N1 (x2)	
 Track 1583 C1 (x2)		 Finishing Bar 853 O1 (x2)	
 Track 1258 C2 (x2)		 Finishing Bar 1503 O2 (x2)	
 Track 1258 C3 (x2)			
 Outside Roof Cover 915 D (x1)		 Mesh P (x1)	
 Inside Roof Cover 839 D1 (x1)		 Plastic Bar Pa (x2)	
		 Plastic Bar Pb (x2)	
 Union Bar 600 E (x4)	 Corner Cover F (x4)	 Finishing End Q (x8)	 Hooks R1 (x2)
		 Black Rubber S (x104)	
 Joint Cover G (x4)		 Silicone Sealant H (x1)	
 Corner Solidifying Bar 540 J1 (x4)		 Corner Solidifying Bar 540 J2 (x4)	
 Solidifying Bar 849 U1 (x4)		 Solidifying Bar 1174 U2 (x4)	
 Base K (x4)		 Base Cover K1 (x4)	
		 Bracket U3 (x4)	 Bracket U4 (x4)



# POST ASSEMBLY:

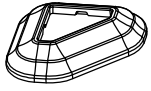


(1) Attach 2 Part #K2 to Part #A with 6 Bolts #1.  
Repeat the above procedures to assemble the other 3 Poles.

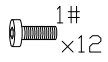
# X4



K ×4



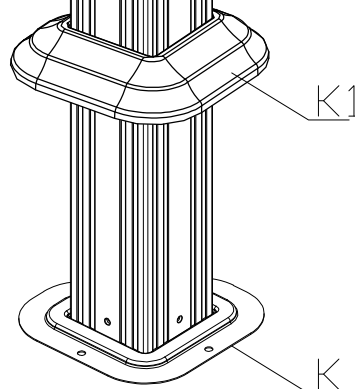
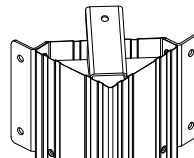
K1 ×4



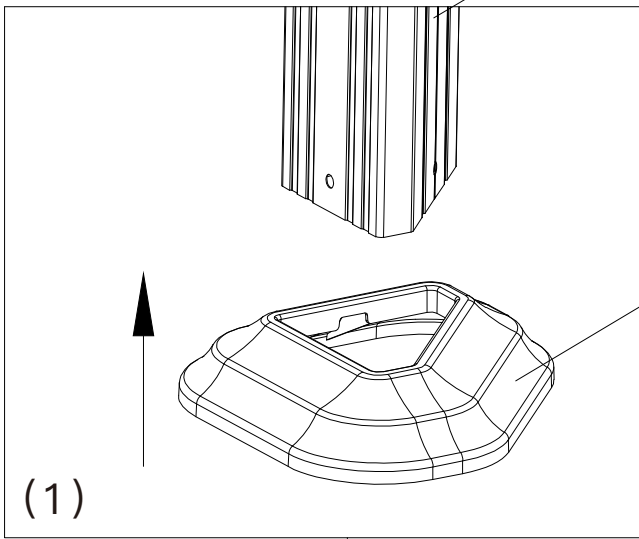
1#  
x12

(1) Put on Base Cover #K1 first;

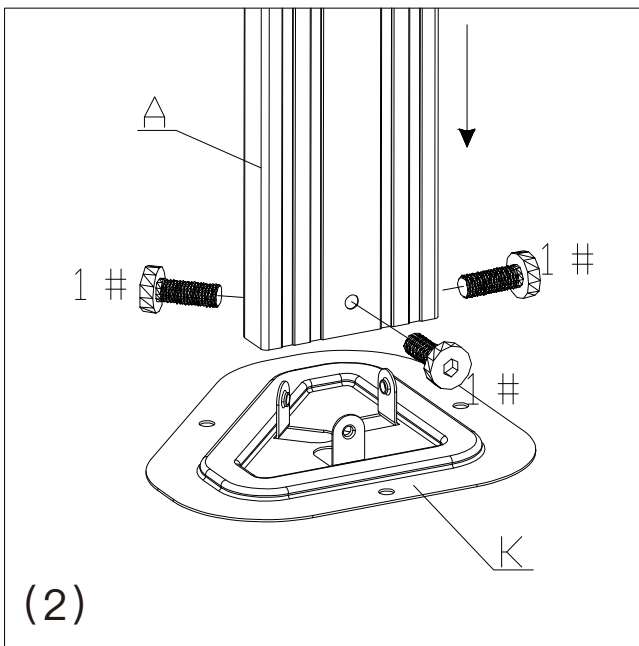
(2) Attach Base #K to Pole #A with 3 Bolts #1.



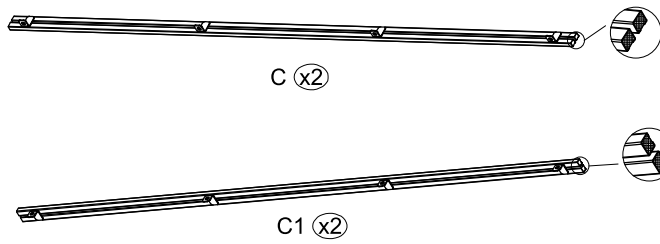
X4



(1)

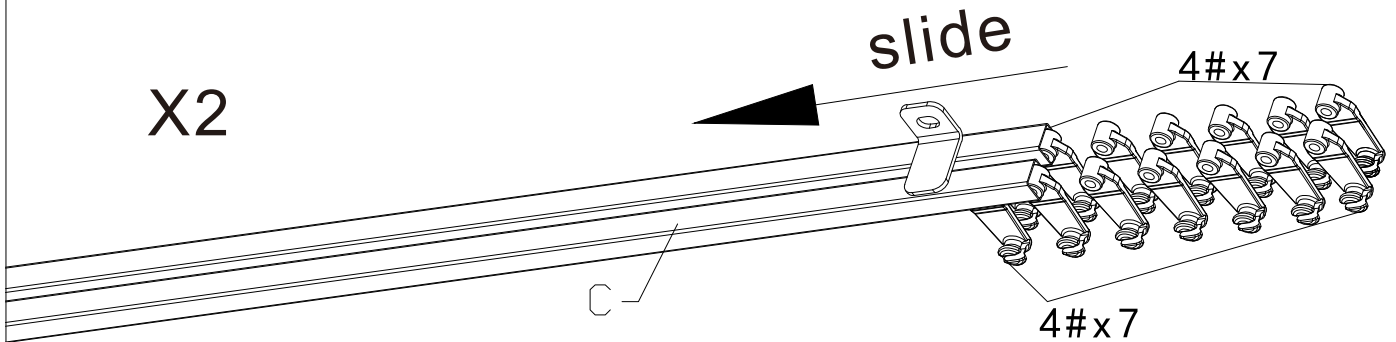


(2)



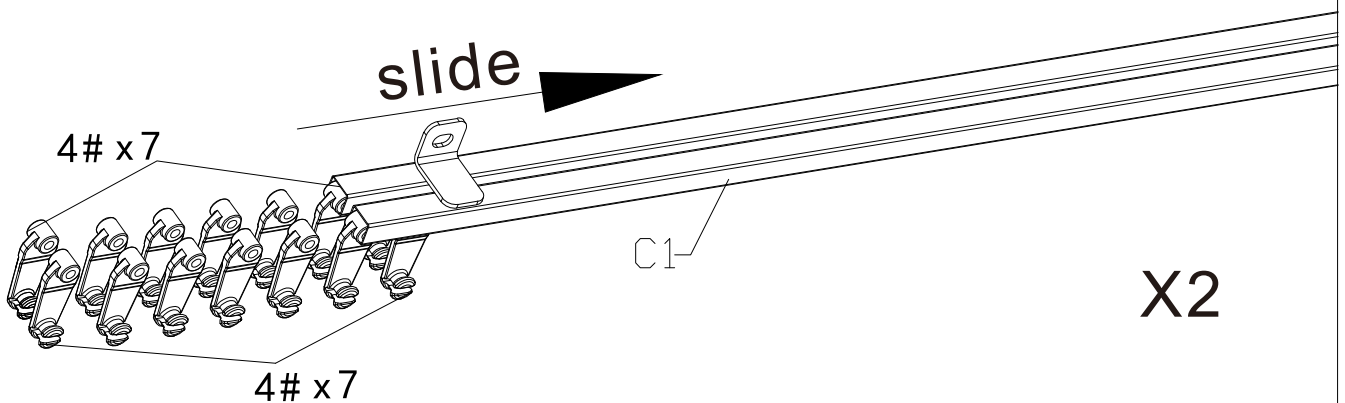
(1) Slide the Plastic Hooks #4 to the double-rail track #C (each slot should slide 7 plastic hooks).

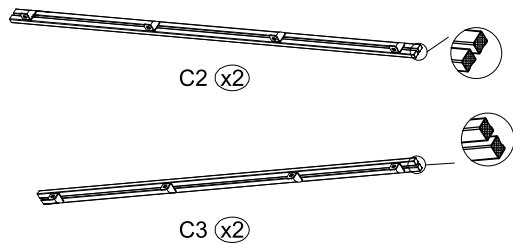
(2) Repeat the above procedures for the another track C.



(1) Slide the Plastic Hooks #4 to the double-rail track #C1 (each slot should slide 7 plastic hooks).

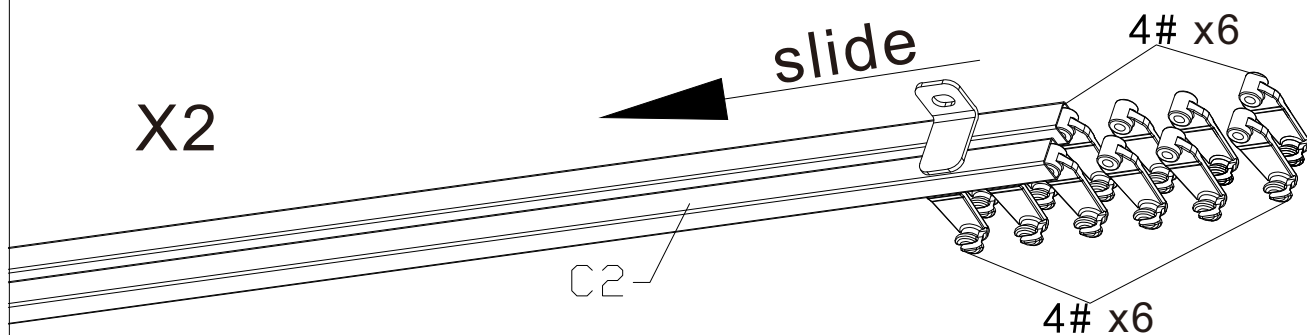
(2) Repeat the above procedures for the another track C1.





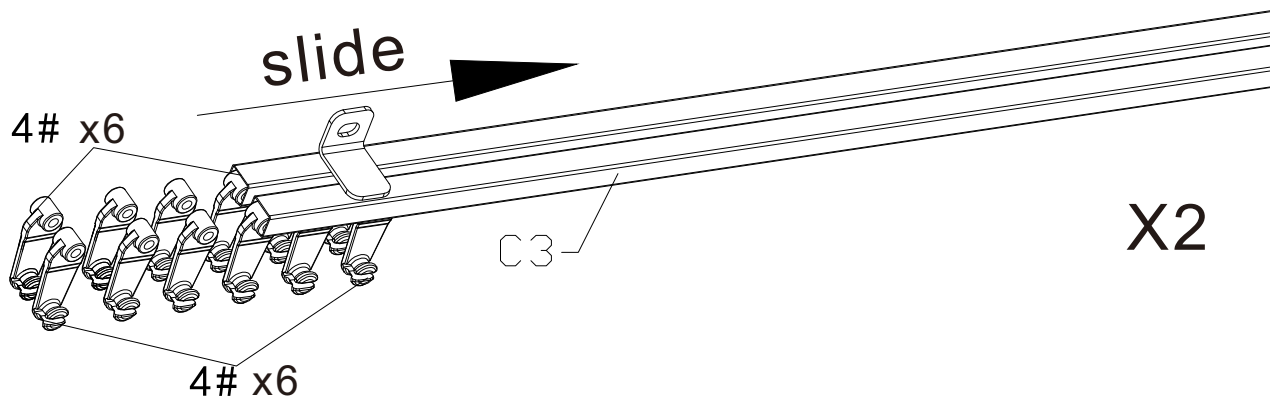
(1) Slide the Plastic Hooks #4 to the double-rail track #C2 (each slot should slide 6 plastic hooks).

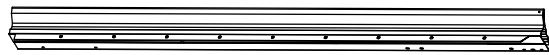
(2) Repeat the above procedures for the another track C2.



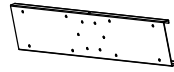
(1) Slide the Plastic Hooks #4 to the double-rail track #C3 (each slot should slide 6 plastic hooks).

(2) Repeat the above procedures for the another track C3.





B (x2)



E (x2)

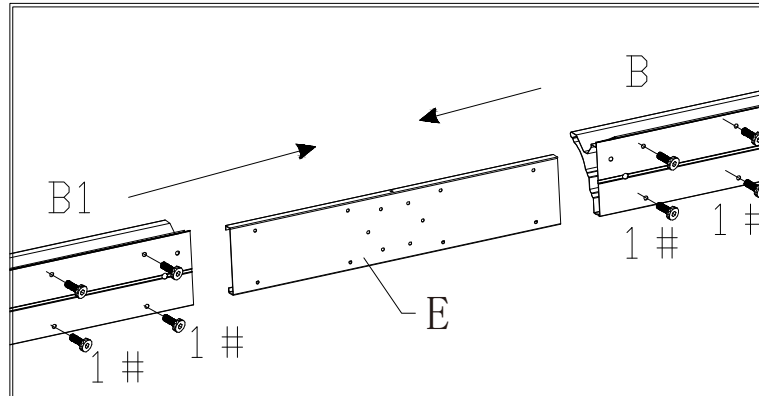


1#  
x16



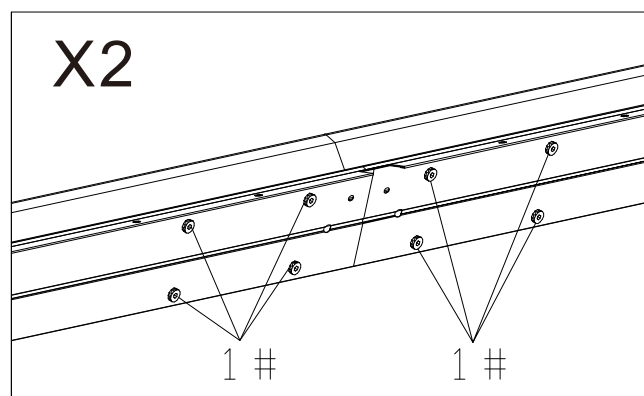
B1 (x2)

## BEAM ASSEMBLY



- (1) Insert Part #E into Part #B1, and secure with 4 Bolts #1.
- (2) Insert the other side of Part #E into Part #B and secure with 4 Bolts #1.

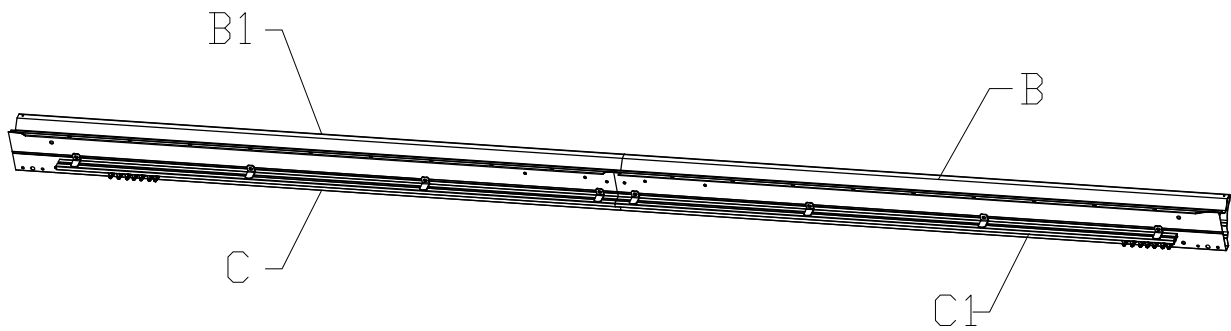
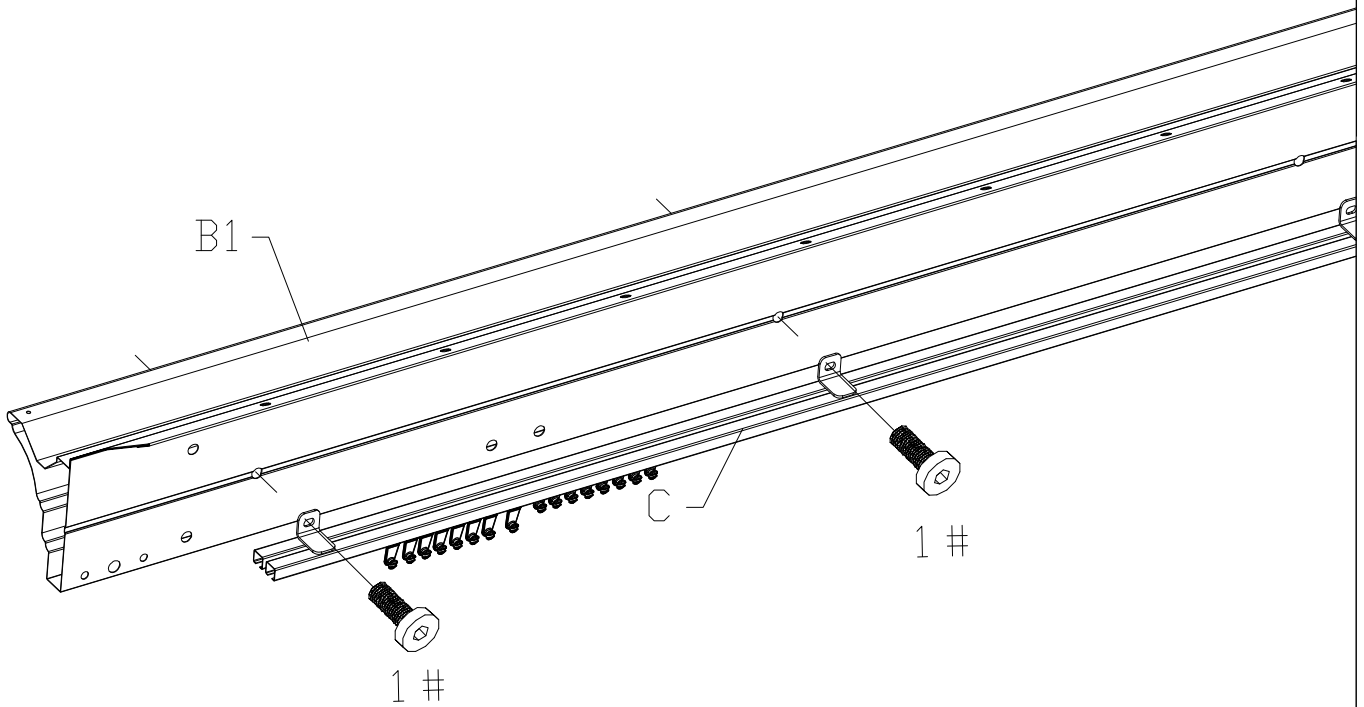
Repeat the above procedures to assemble the other Part #B1 and #B.



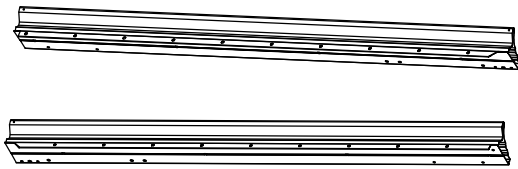
**TIPS:** It's a normal situation that there's a gap between the 2 beams, please use silicone sealant (part #H) and Joint Cover #G to affix the gap.(see P13)

1#  
x16

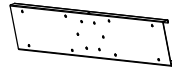
(1) Use 8 Bolts #1 to fix the track C & C1 to the beam B1 & B.  
Repeat the above procedures for another beam B1 & B.



X2



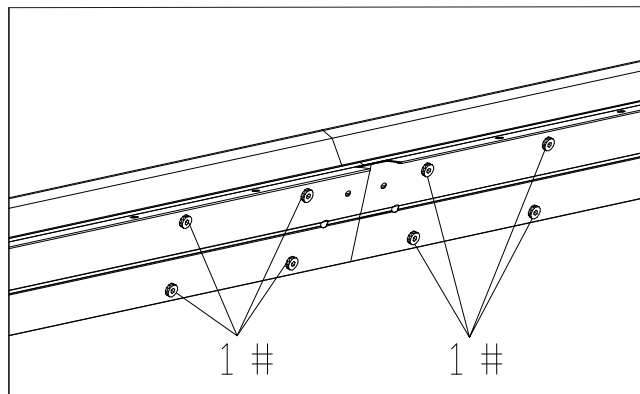
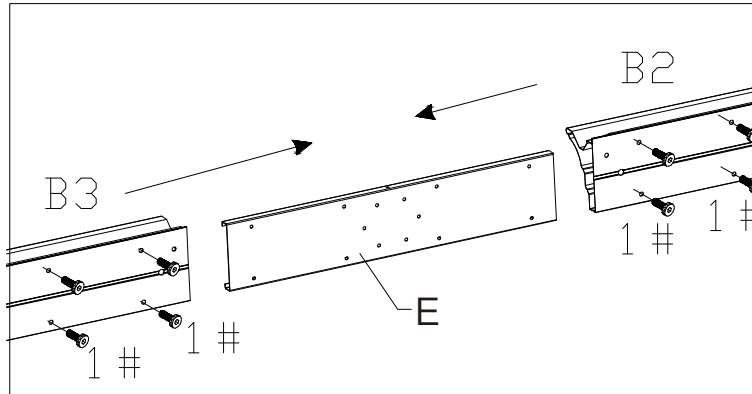
B2 (x2)



E (x2)



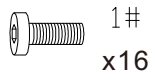
1#  
x16



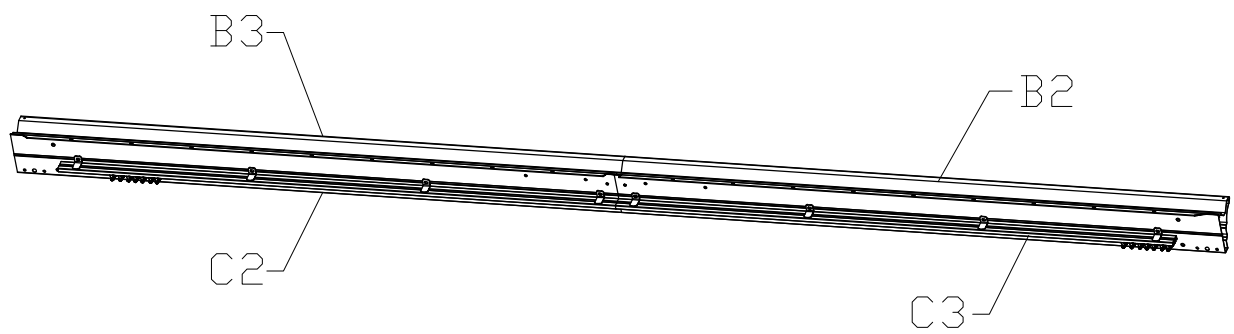
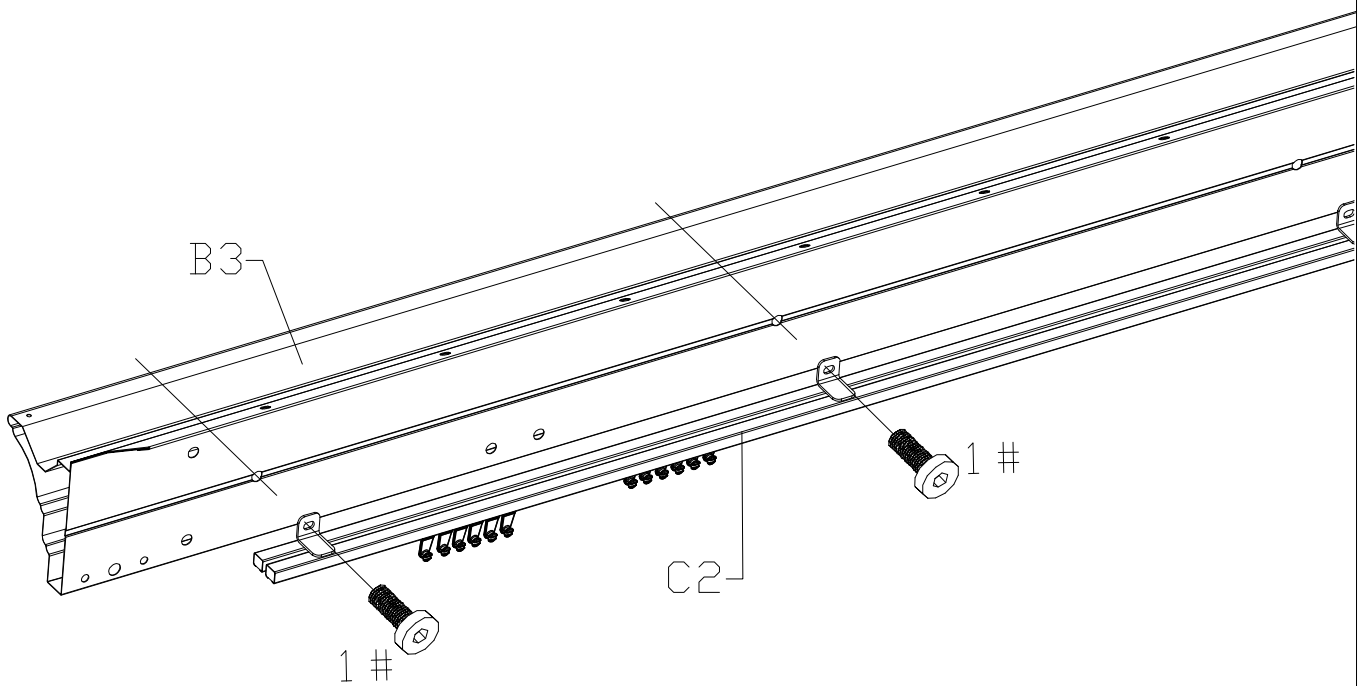
- (1) Insert Part #E into Part #B3, and secure with 4 Bolts #1.
- (2) Insert the other side of Part #E into Part #B2 and secure with 4 Bolts #1.

Repeat the above procedures to assemble the other Part #B3 and B2.

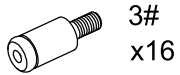
**TIPS:** It's a normal situation that there's a gap between the 2 beams, please use silicone sealant (part #H) and Joint Cover #G to affix the gap.(see P13 )



(1) Use 8 Bolts #1 to fix the track C2 & C3 to the beam B3 & B2.  
Repeat the above procedures for another beam B3 & B2.

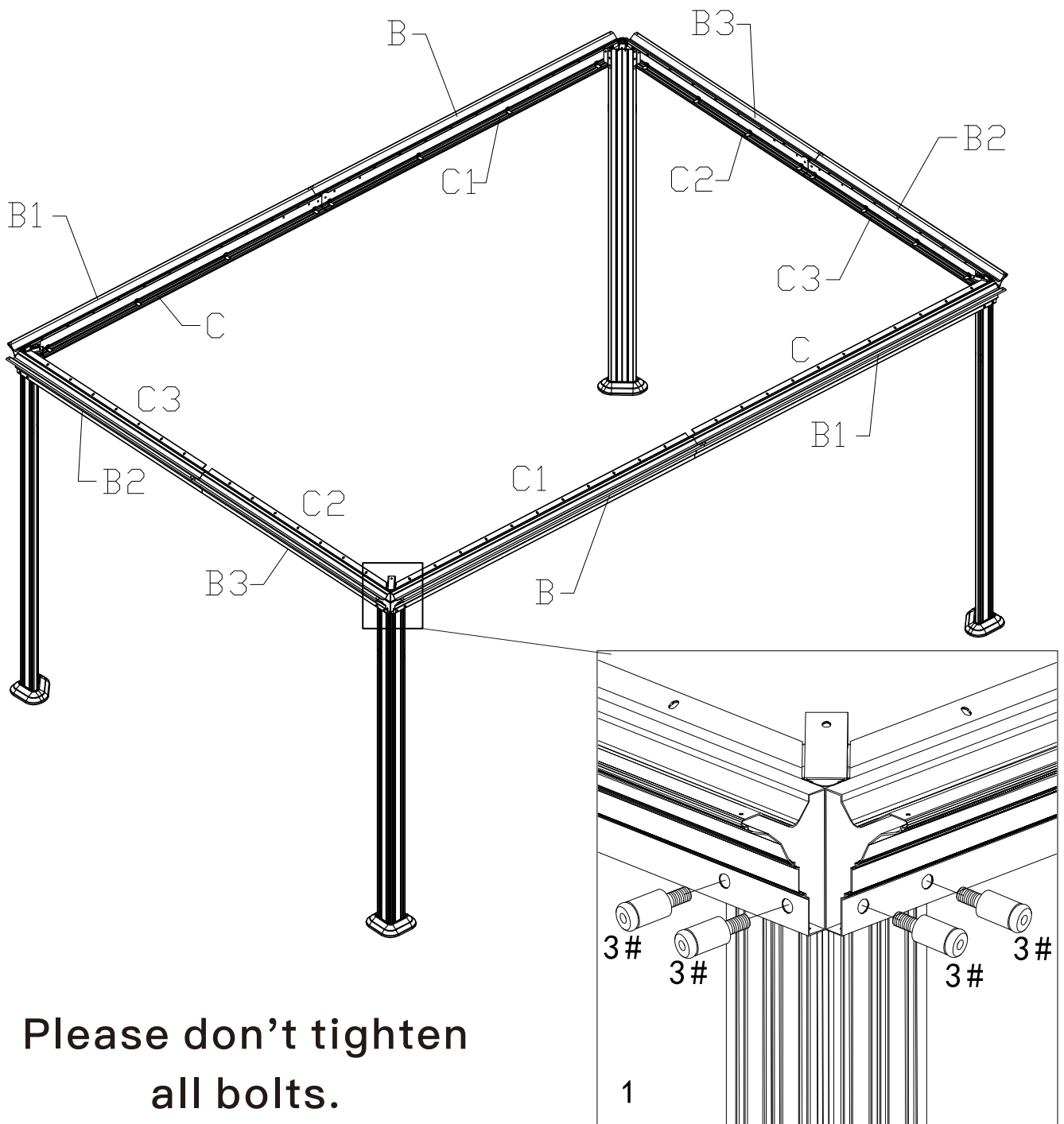


X2



3#  
x16

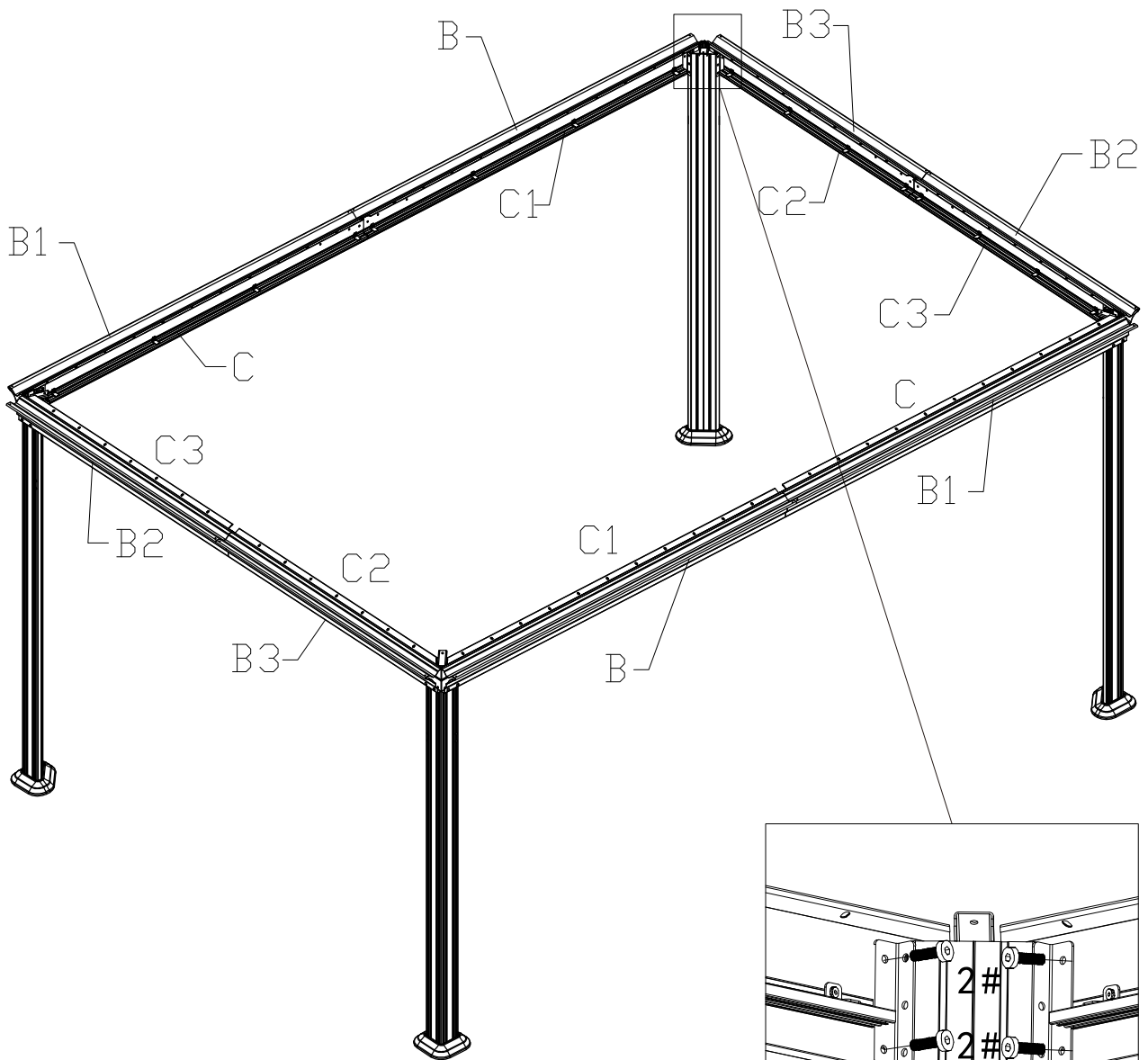
## FRAME ASSEMBLY:



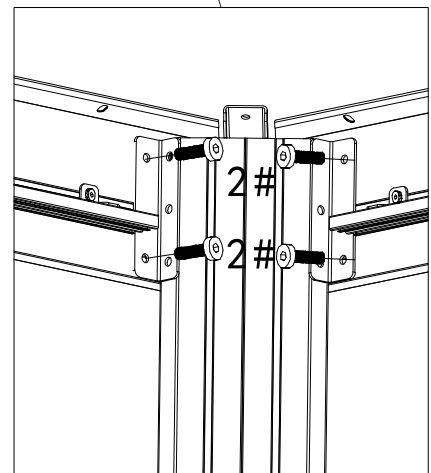
**Outside View**



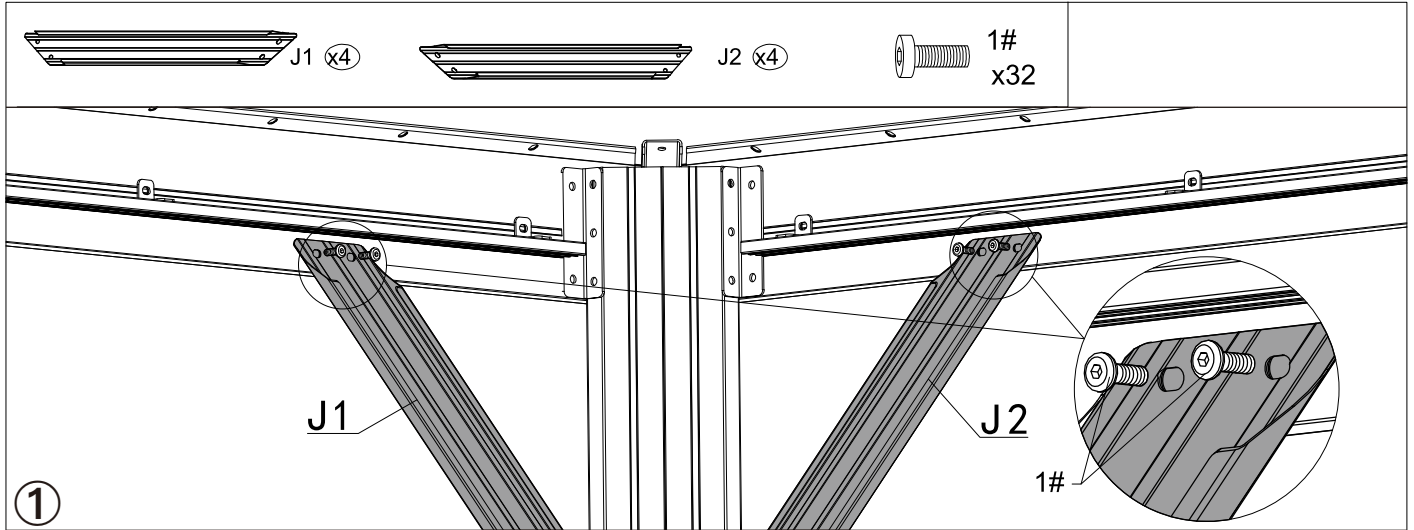
2#  
x16



Please don't tighten  
all bolts.

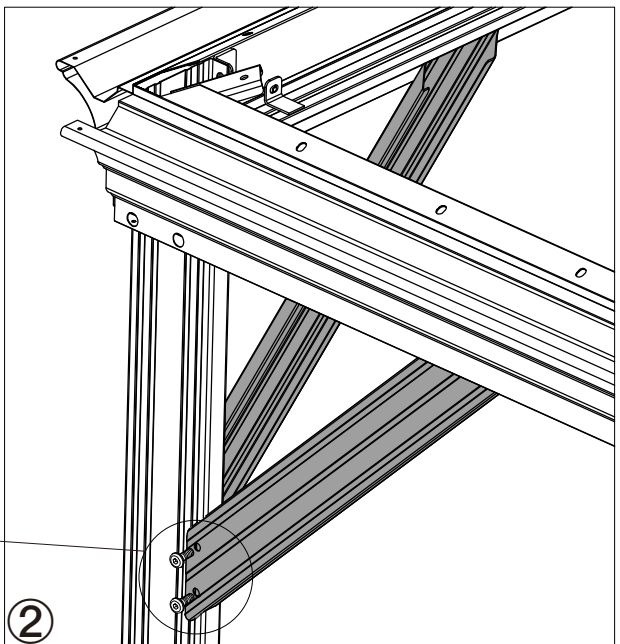
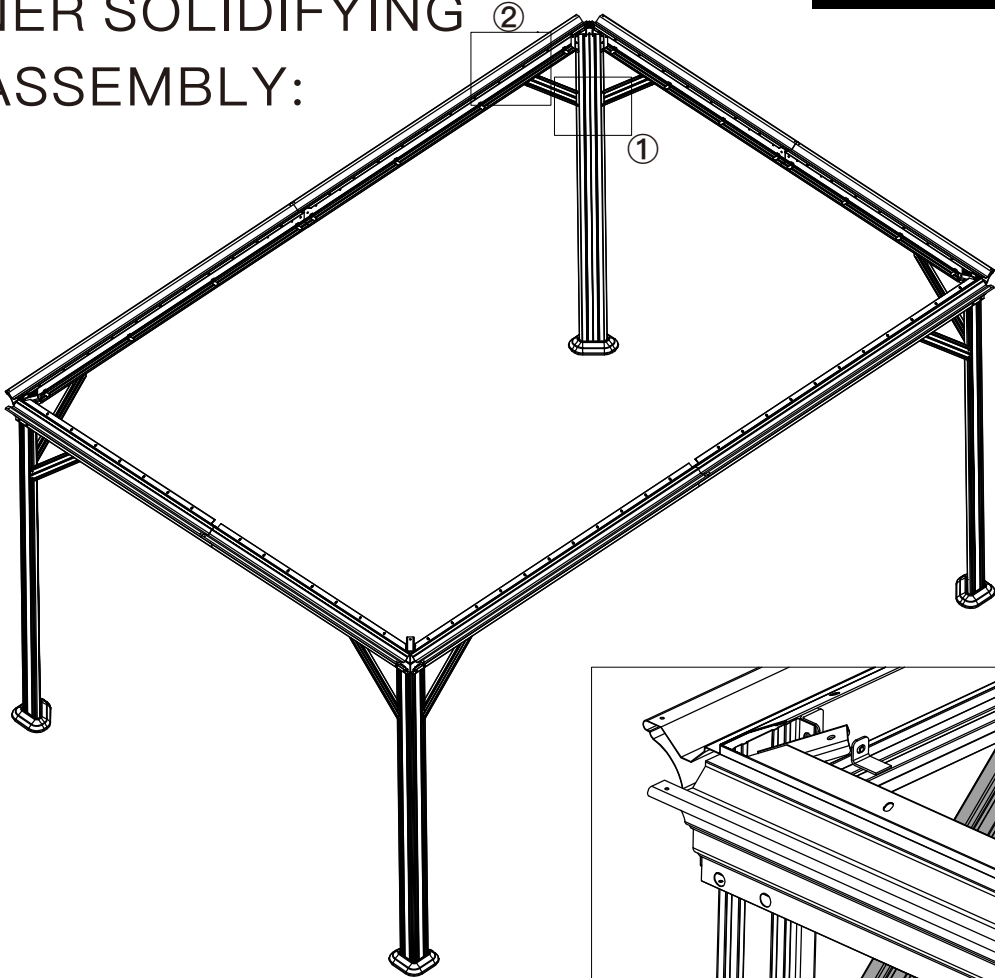


**Inside View**

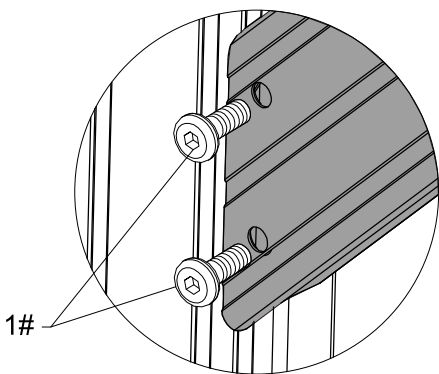


**Inside View**

CORNER SOLIDIFYING  
BAR ASSEMBLY:



**Outside View**



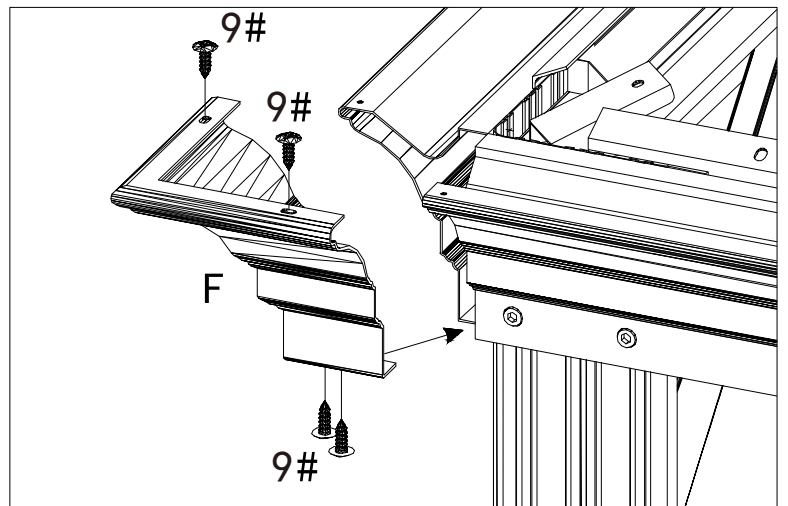
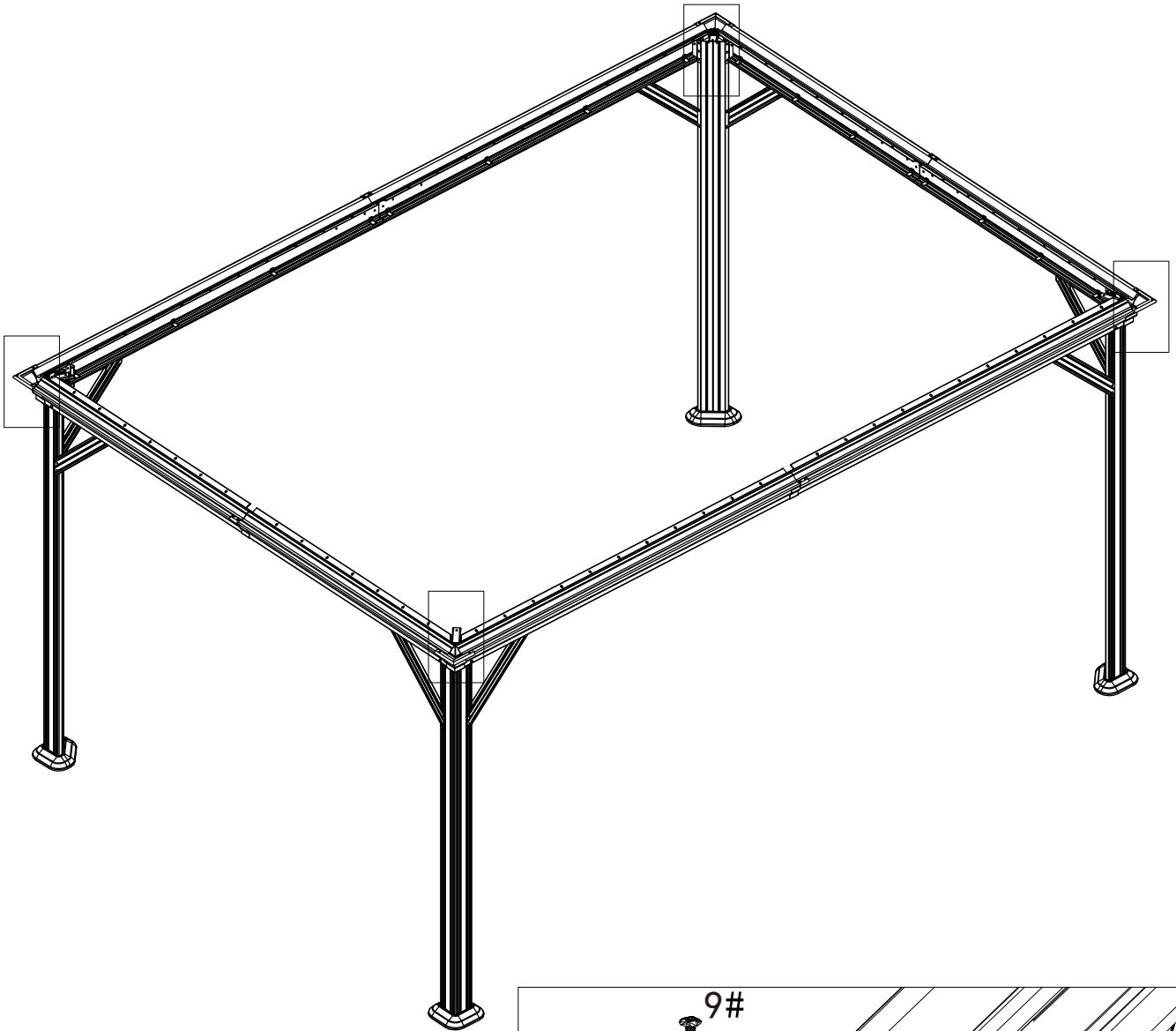


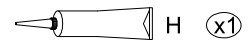
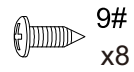
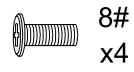
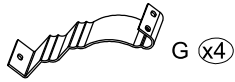
F (x4)



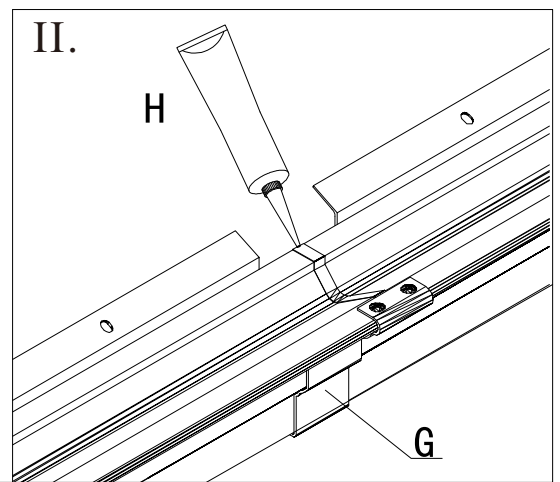
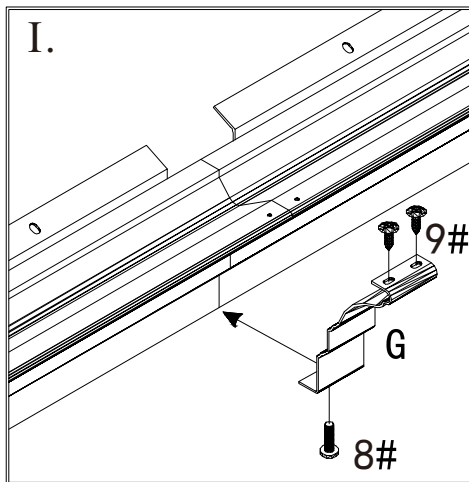
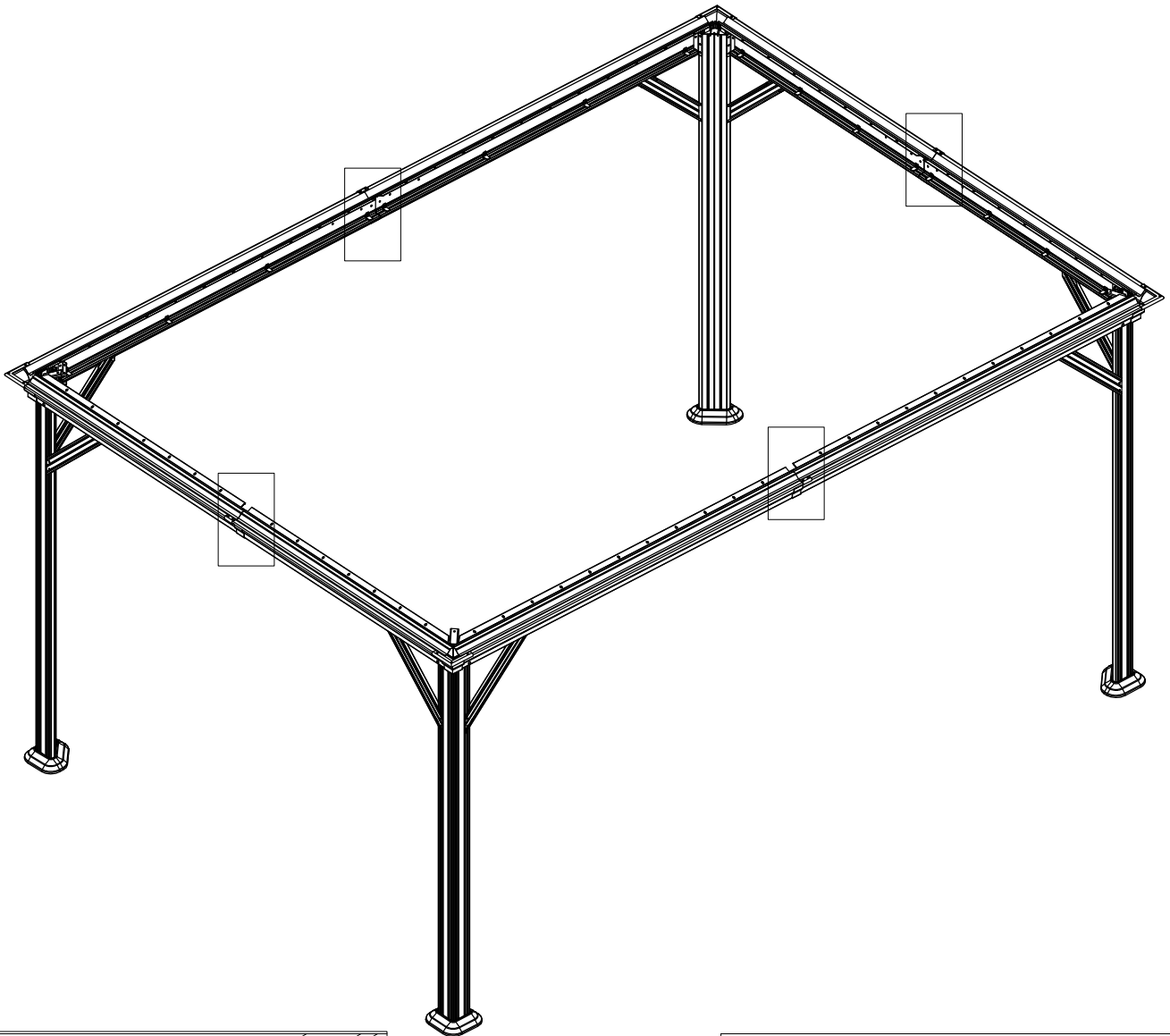
9#  
x16

# CORNER COVER & JOINT COVER ASSEMBLY:





Use 5mm silicone sealant (part #H) and Joint Cover #G to affix the gap.

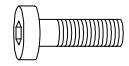




L (x4)

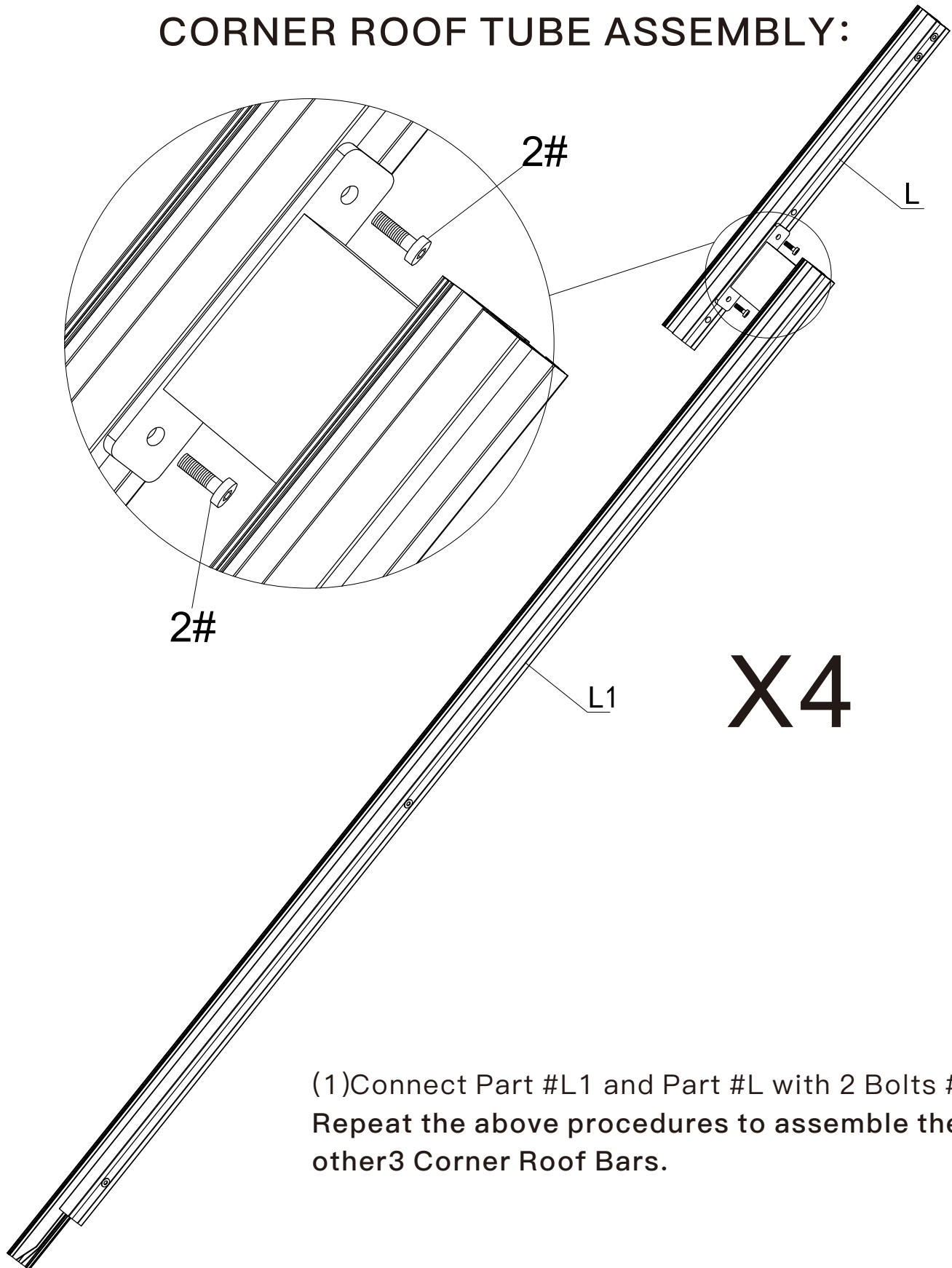


L1 (x4)

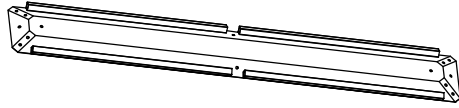


2#  
x8

## CORNER ROOF TUBE ASSEMBLY:

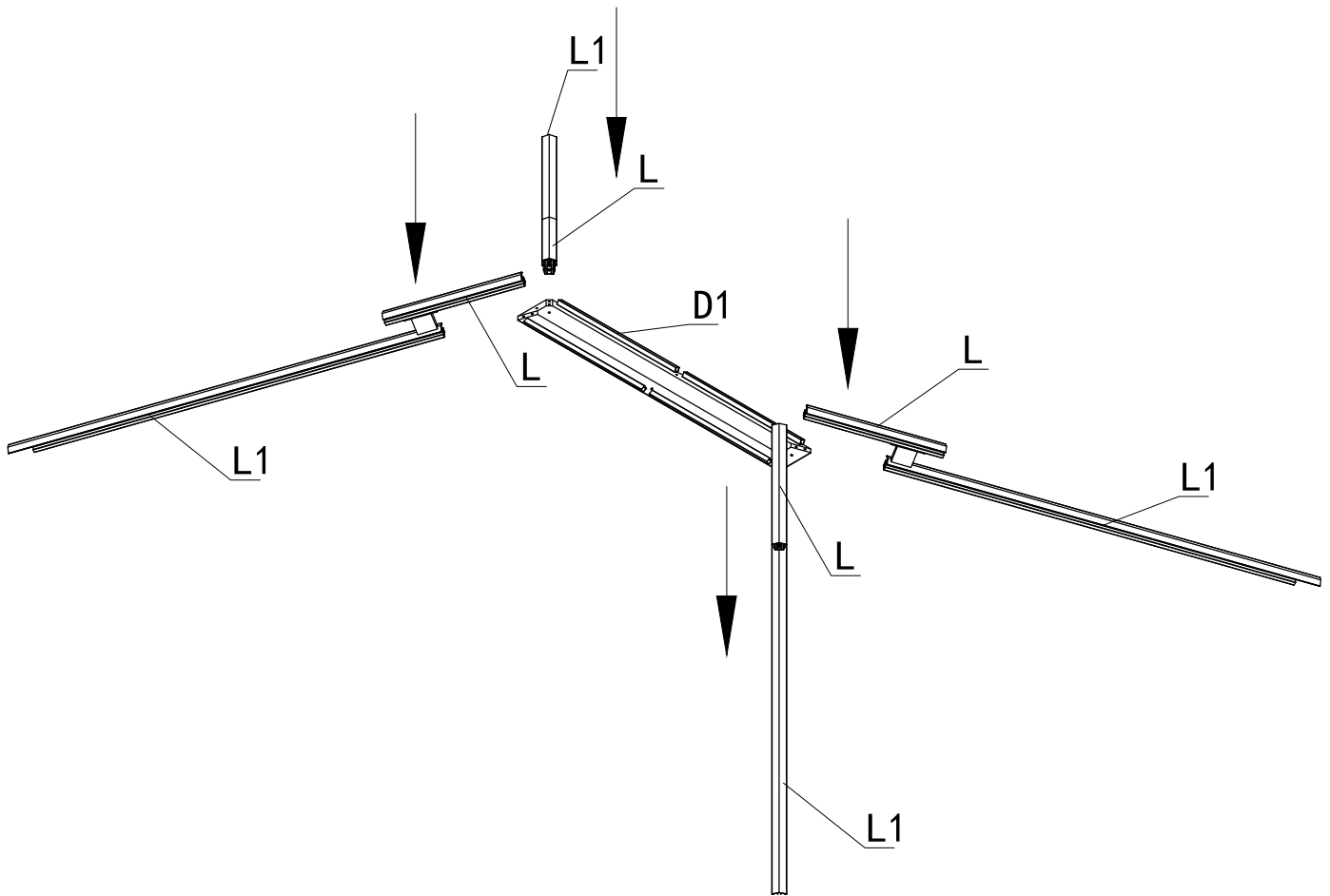


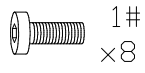
(1) Connect Part #L1 and Part #L with 2 Bolts #2.  
 Repeat the above procedures to assemble the  
 other 3 Corner Roof Bars.



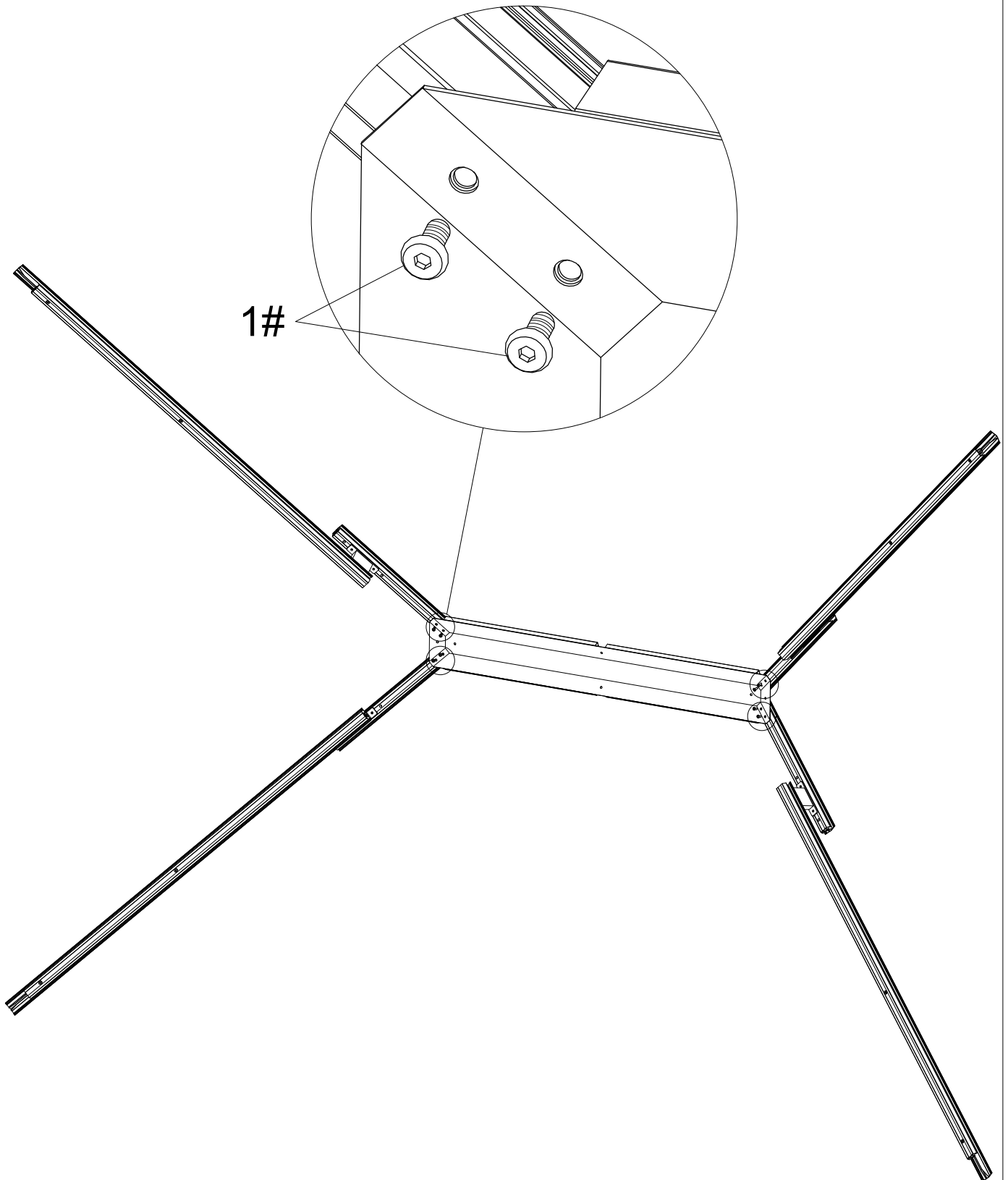
D1 (x1)

## CORNER ROOF TUBE AND INSIDE ROOF CONNECTOR ASSEMBLY:

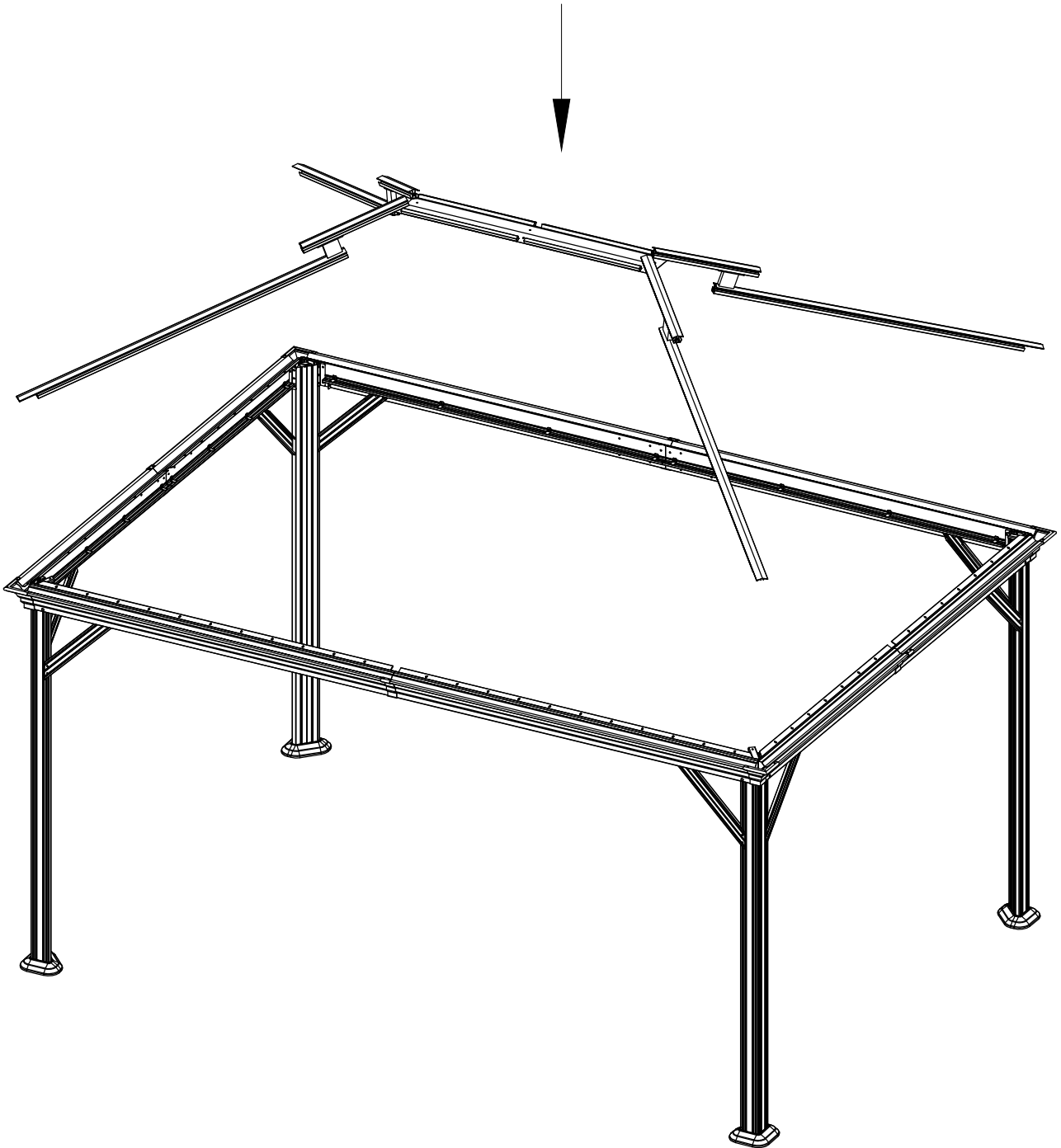




Place 4 Corner Roof Tubes on the 4 corners of Inside Roof Cover #D1, secure with 8 Bolts #1 (from bottom to top).

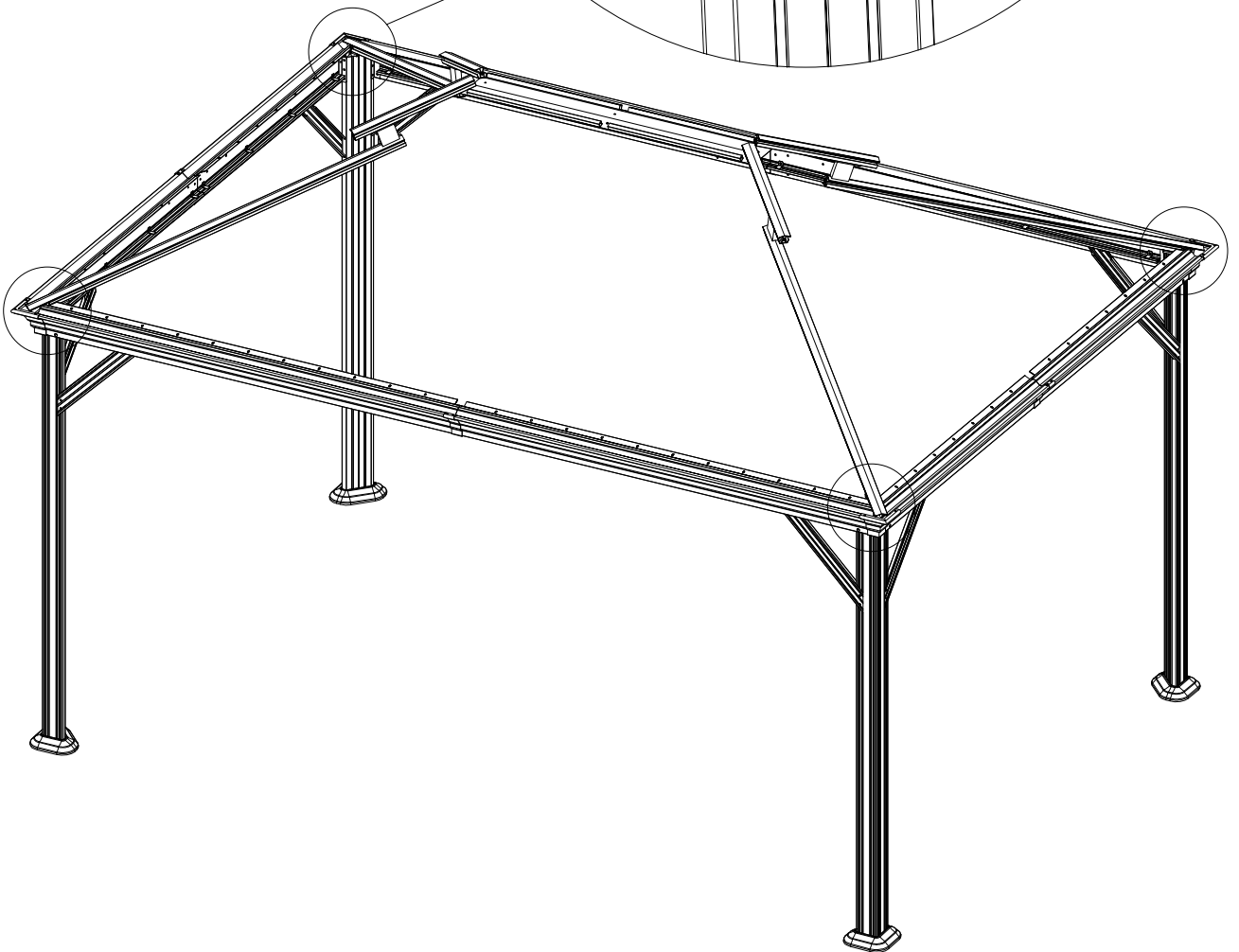
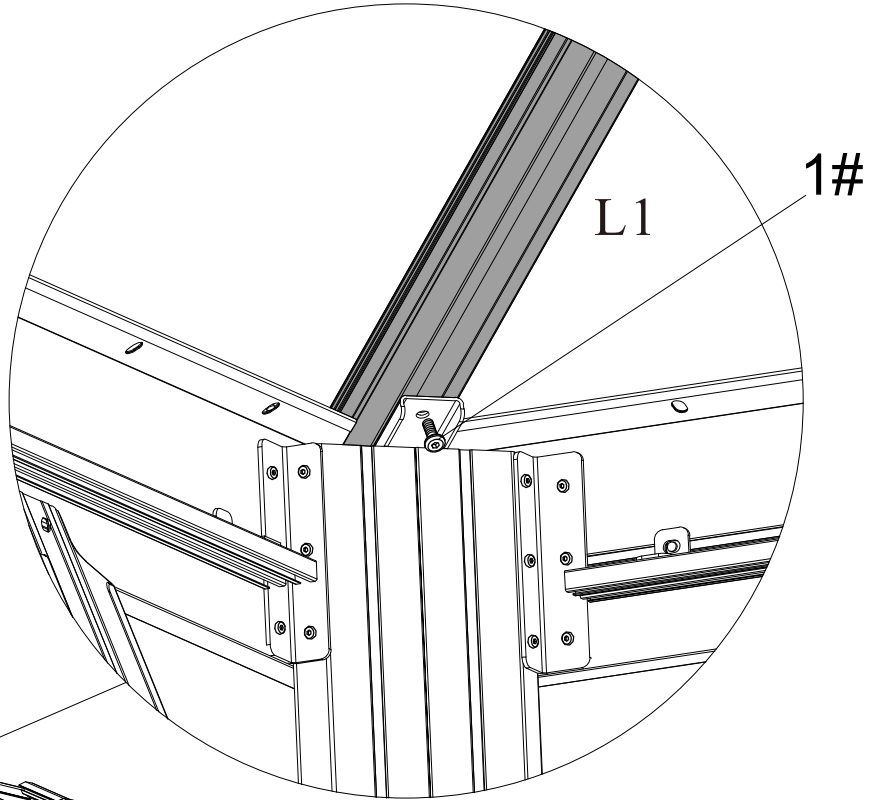


Lift 4 corner roof Tubes and inside roof connector to the top of the frame.(You may need 2 people and 2 ladder).



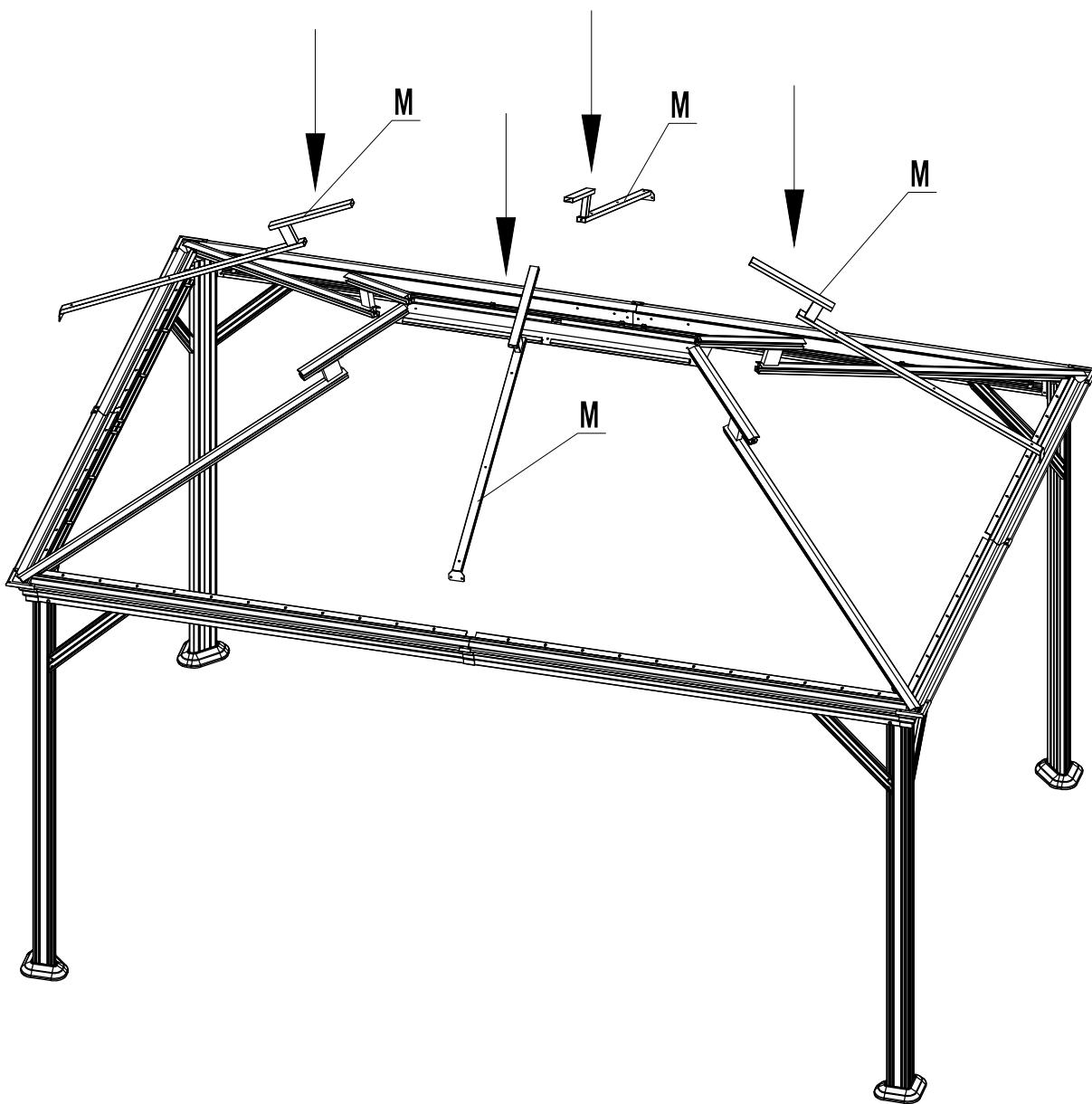
1#  
×4

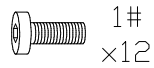
**Inside View**





M (x4)



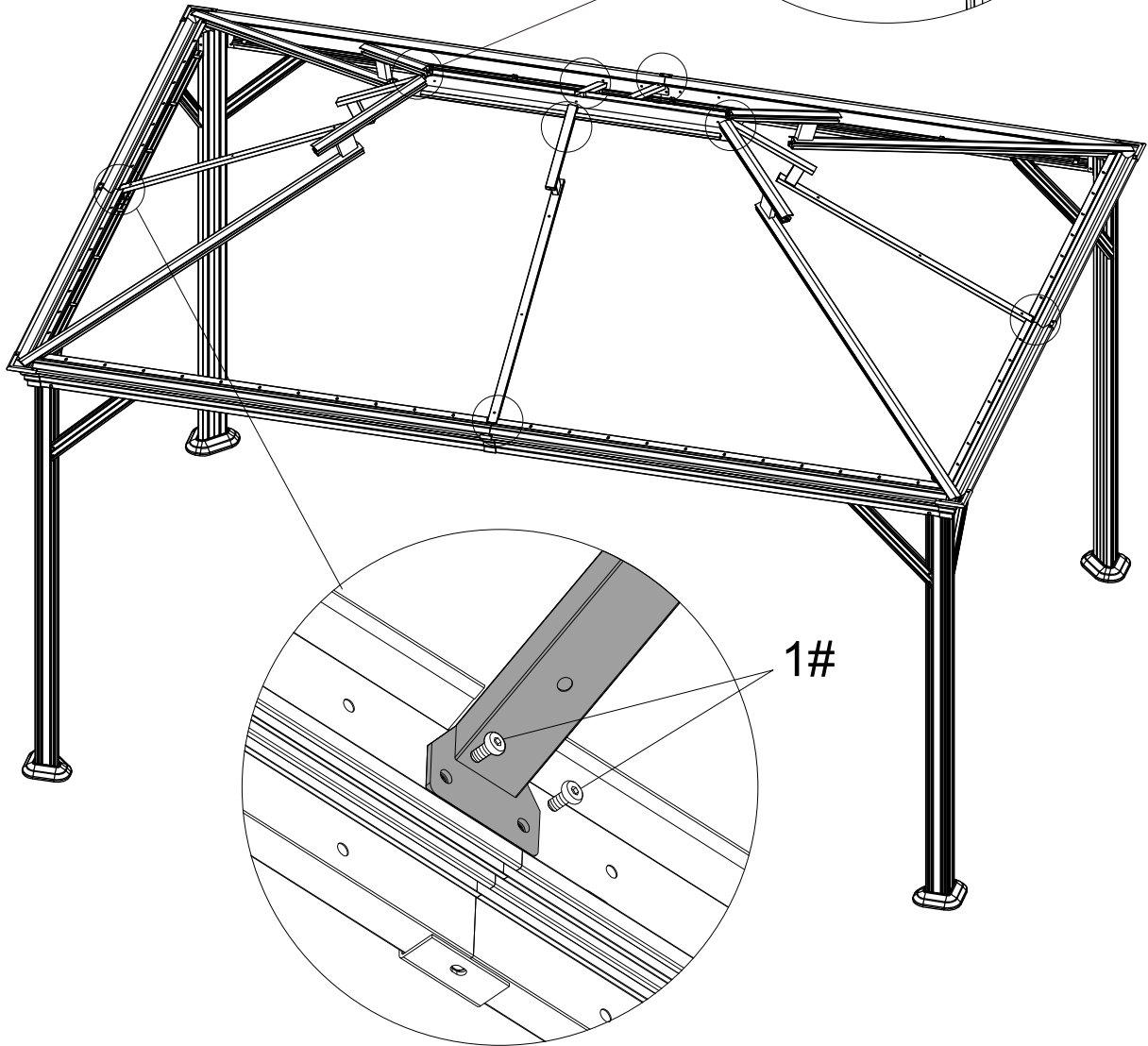
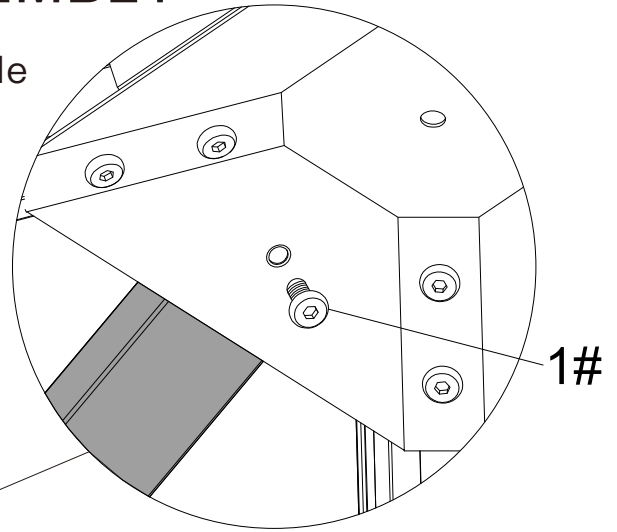


## MIDDLE ROOF TUBE ASSEMBLY:

(1) Place Middle Roof Tube #M on Inside Roof Connector, secure with Bolt #1 (from bottom to top).

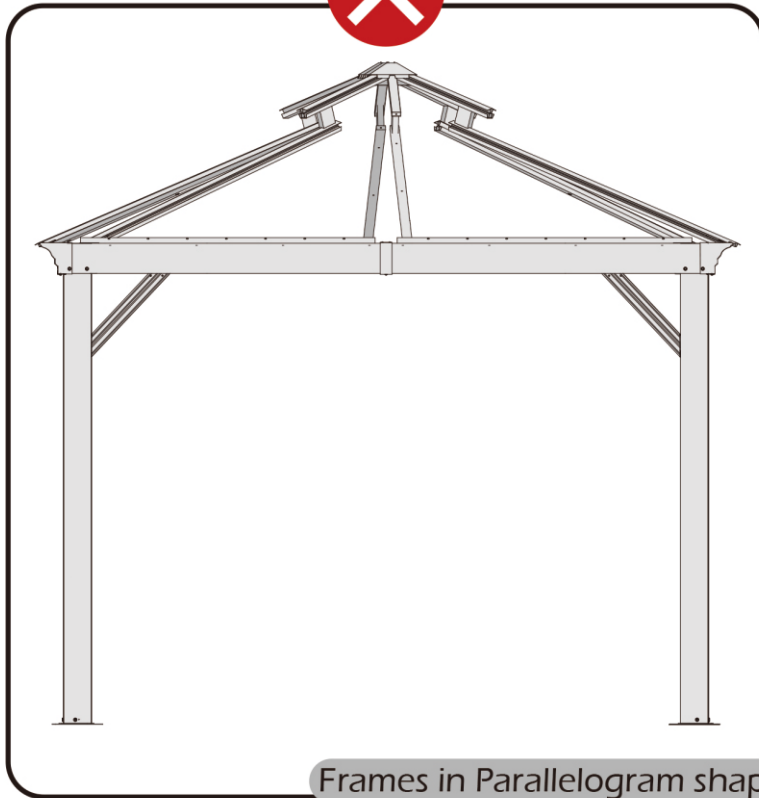
(1) Connect Middle Roof Tube #M and the Assembled Beam with 2 Bolts #1.

Repeat the above procedures to assemble the other sides.

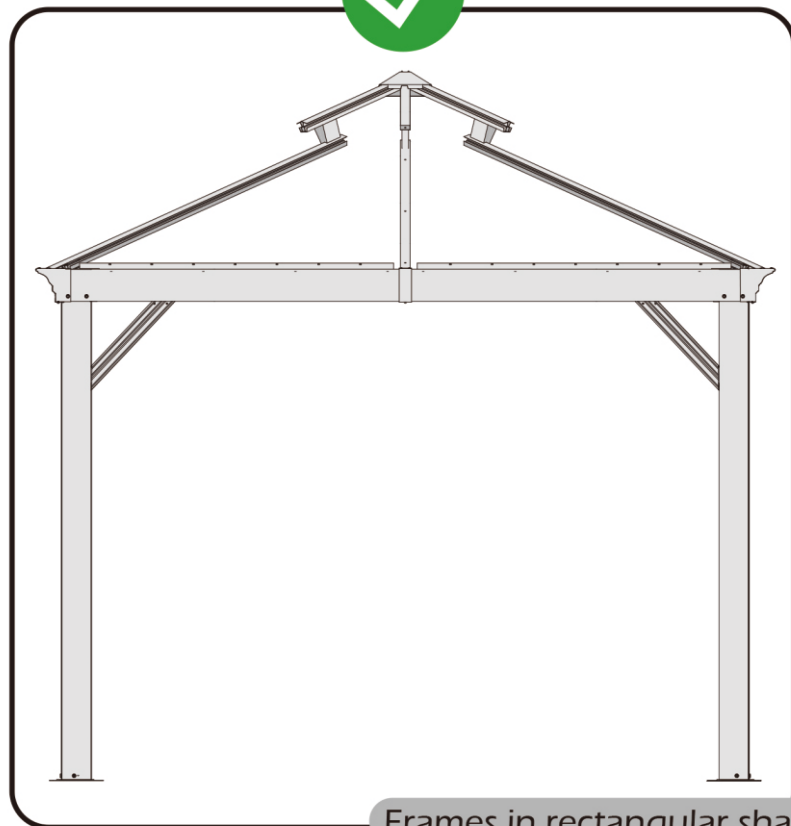


**Inside View**

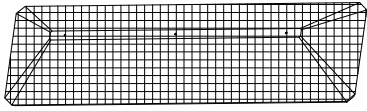
Check the the frame as pictures below shows.



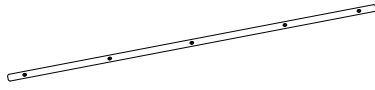
Frames in Parallelogram shape



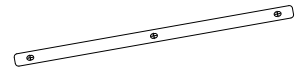
Frames in rectangular shape



P (x1)

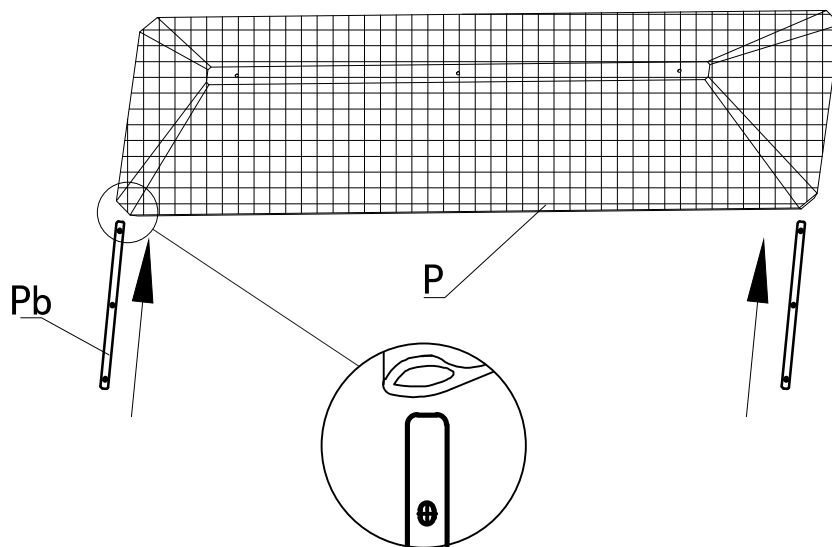
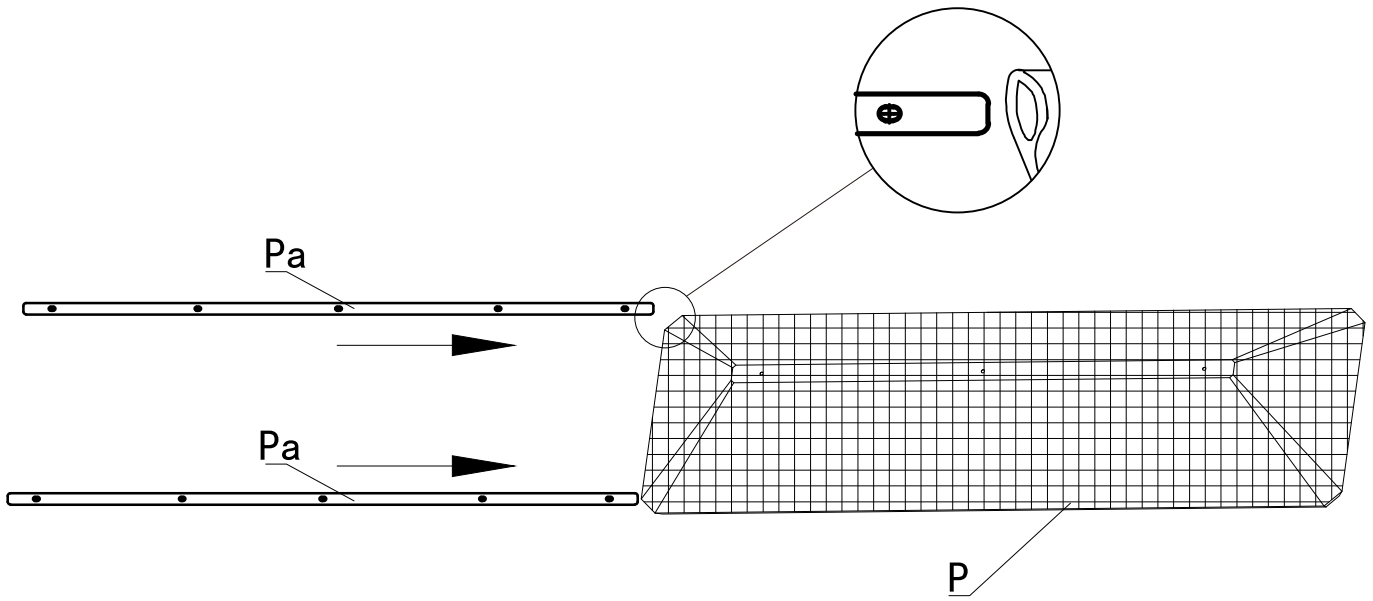


Pa (x2)



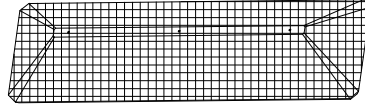
Pb (x2)

## PLASTIC BAR ASSEMBLY :





D (x1)



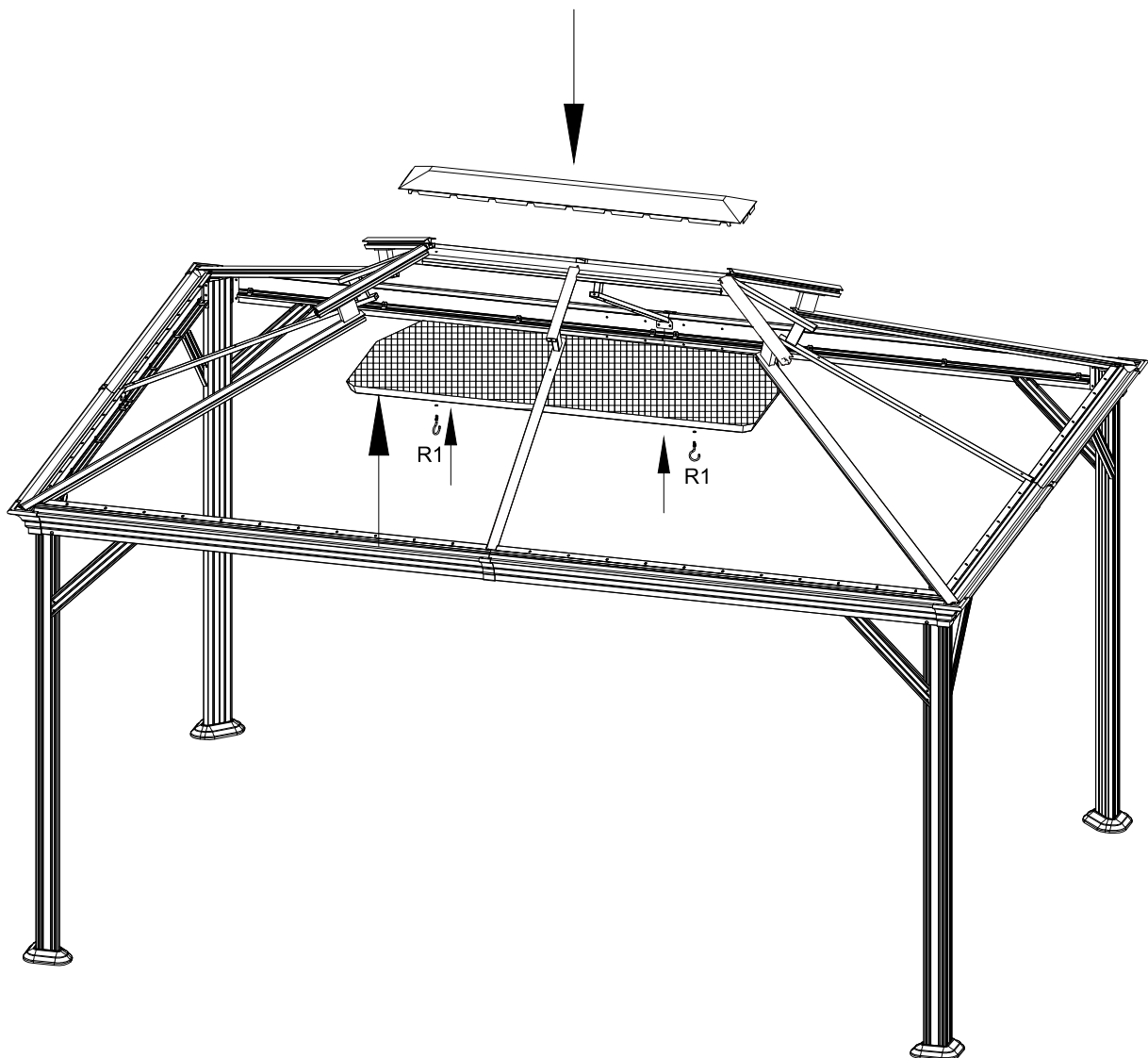
P (x1)

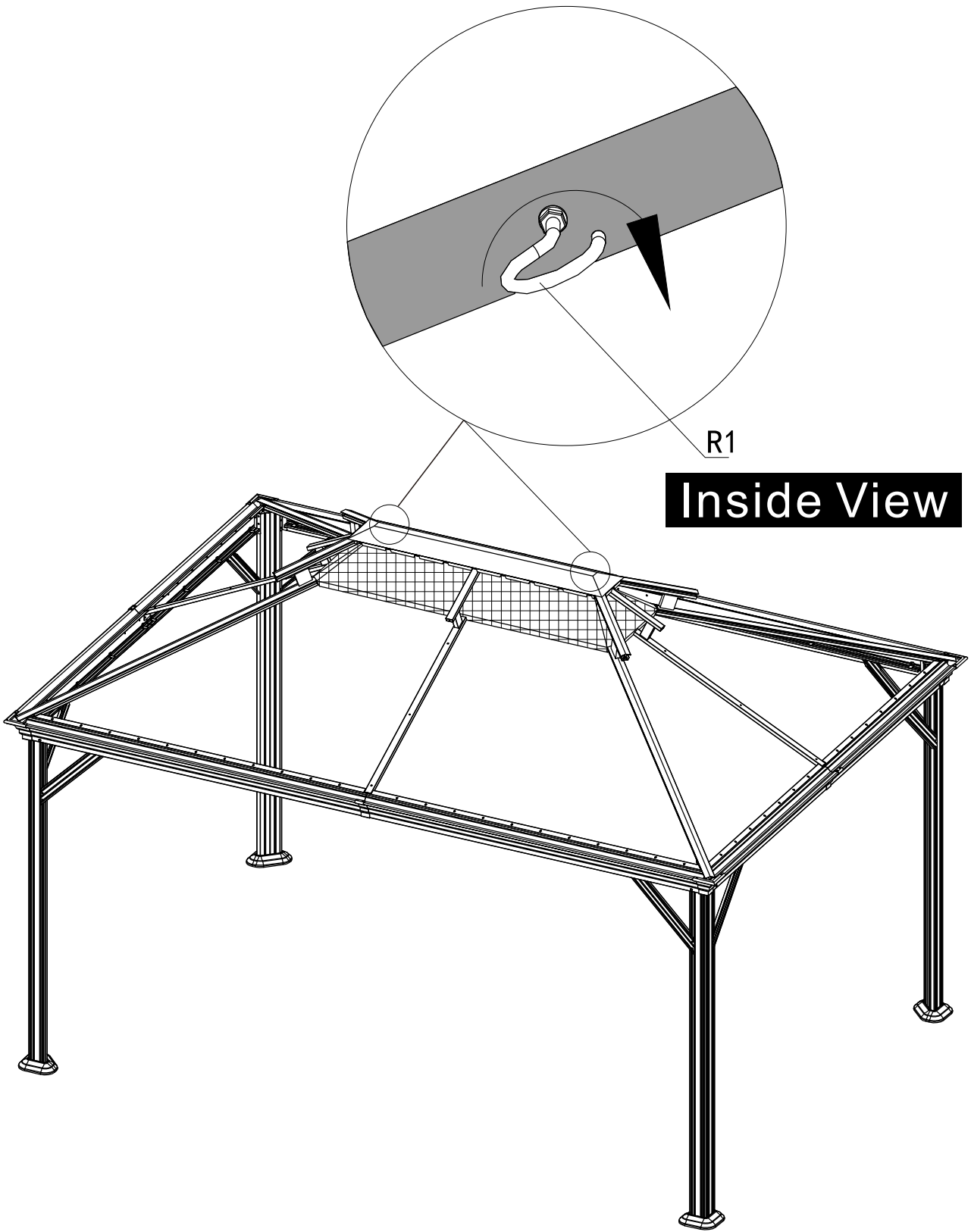


R1 (x2)

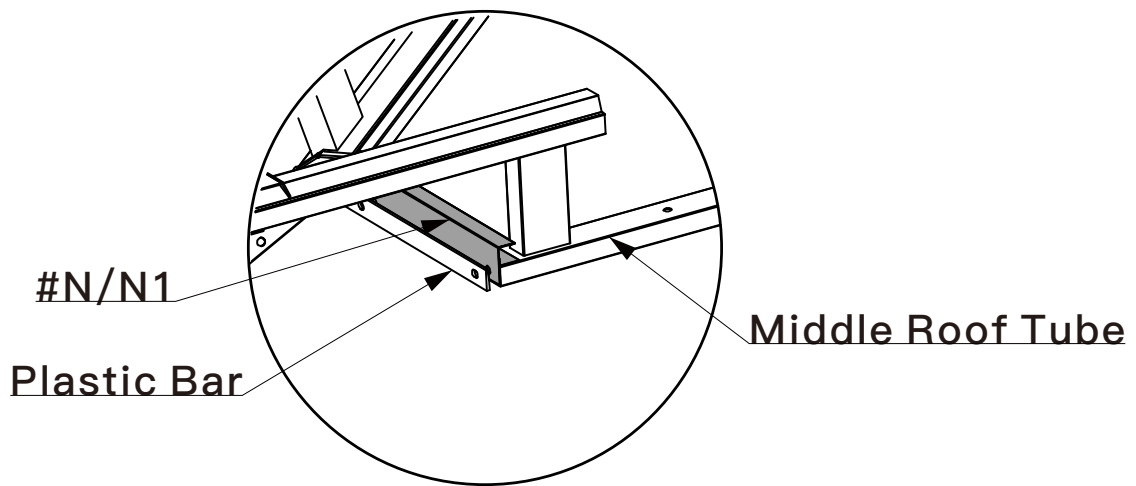
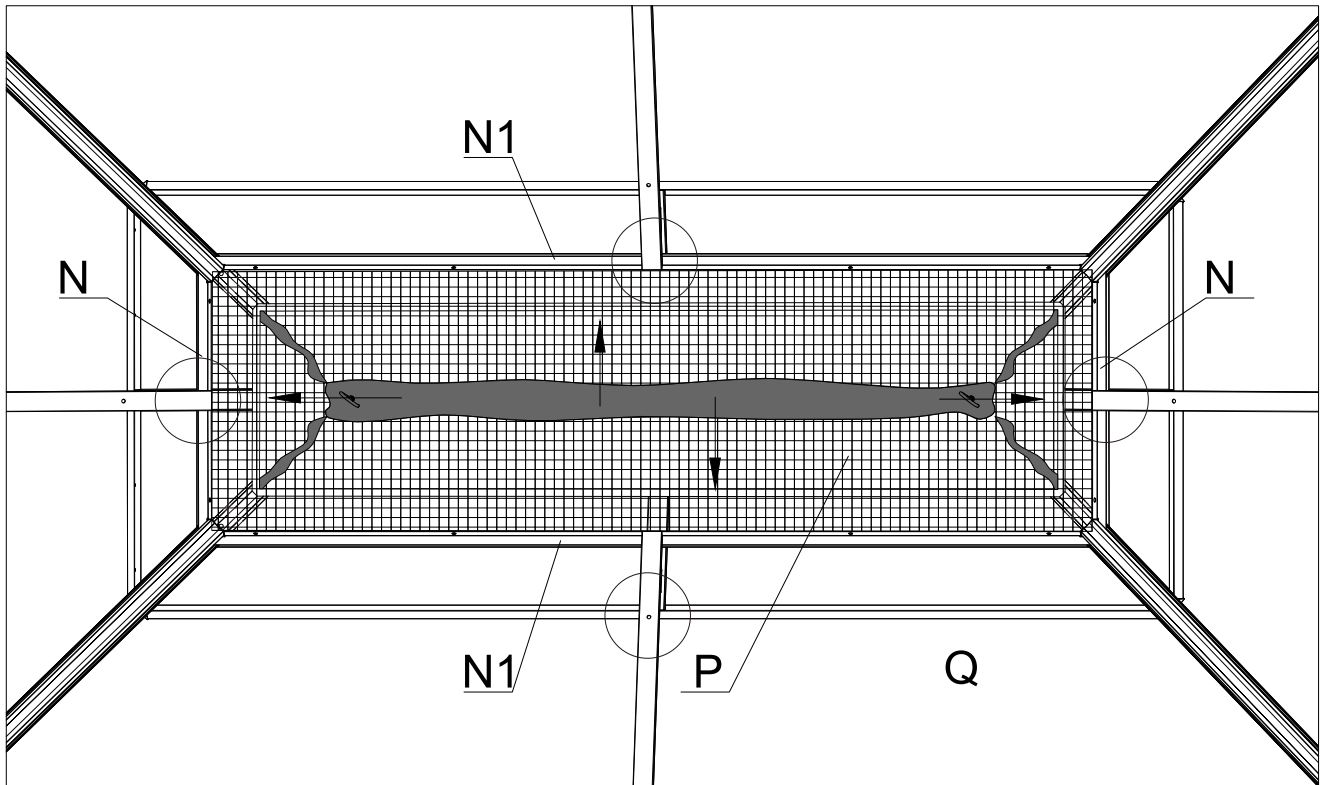
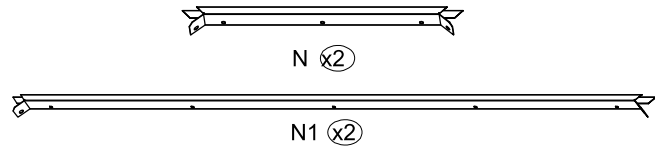
## OUTSIDE ROOF COVER AND MESH ASSEMBLY :

- (1) Place the Outside Roof Cover #D on the inside Roof Cover.
- (2) Align the holes, and use 3 Hooks #R1 to secure Mesh #P to the inside Roof Cover (From Bottom to Top).

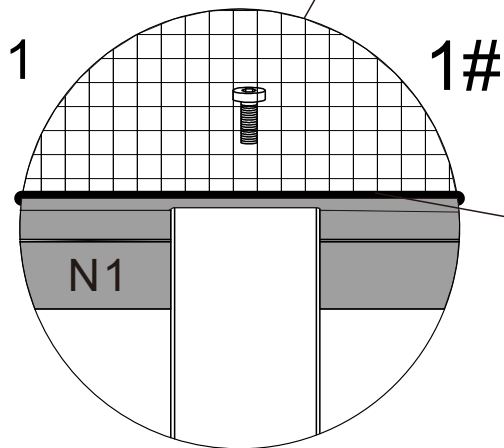
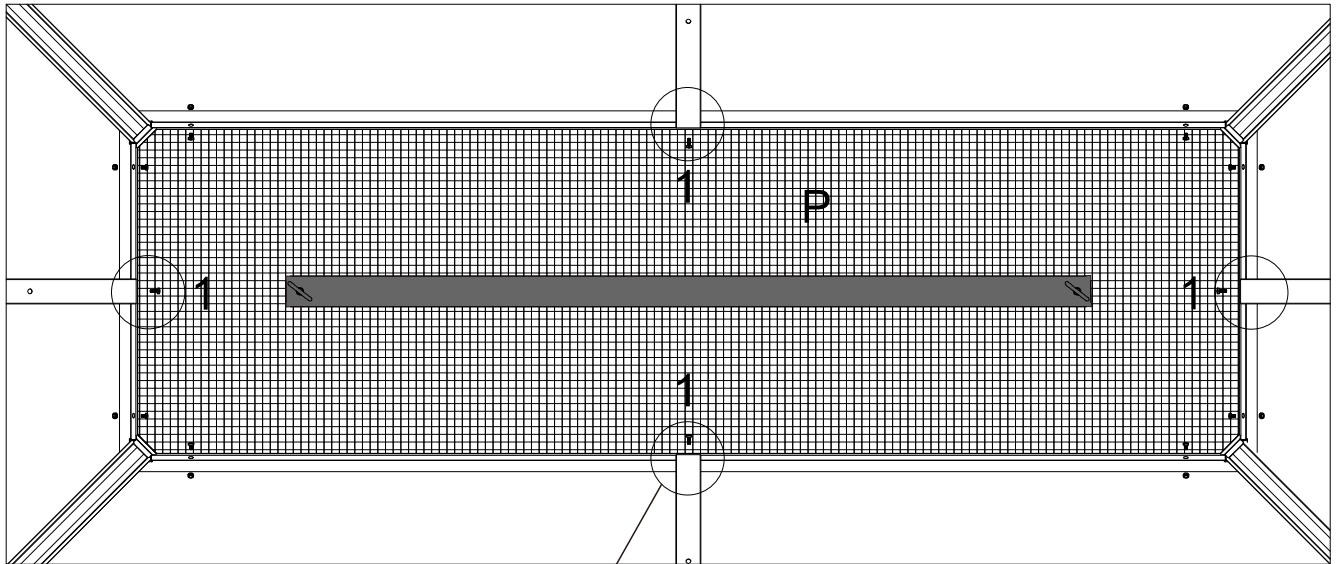
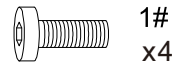
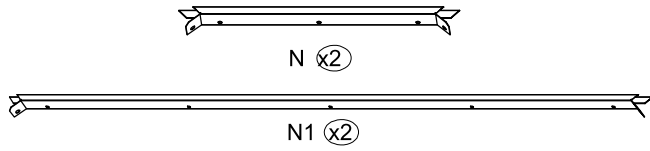




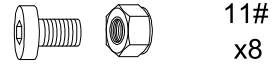
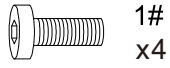
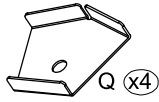
**Inside View**



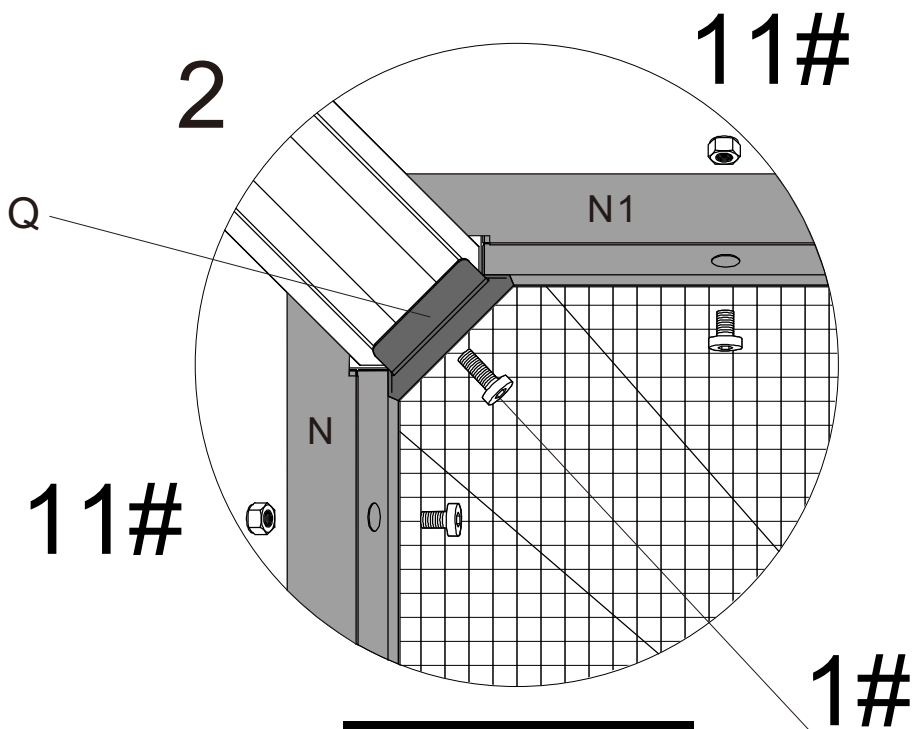
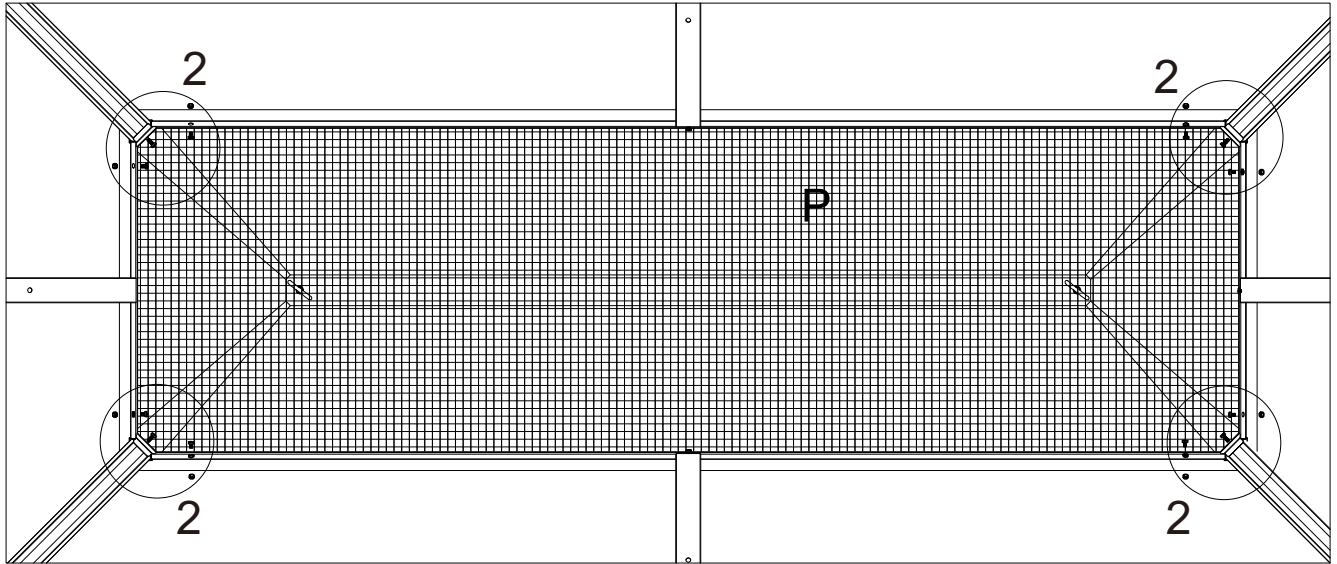
Please do not pull plastic bar out when installing it with #N, N1 on the middle roof tube.



Plastic Bar  
on the mesh



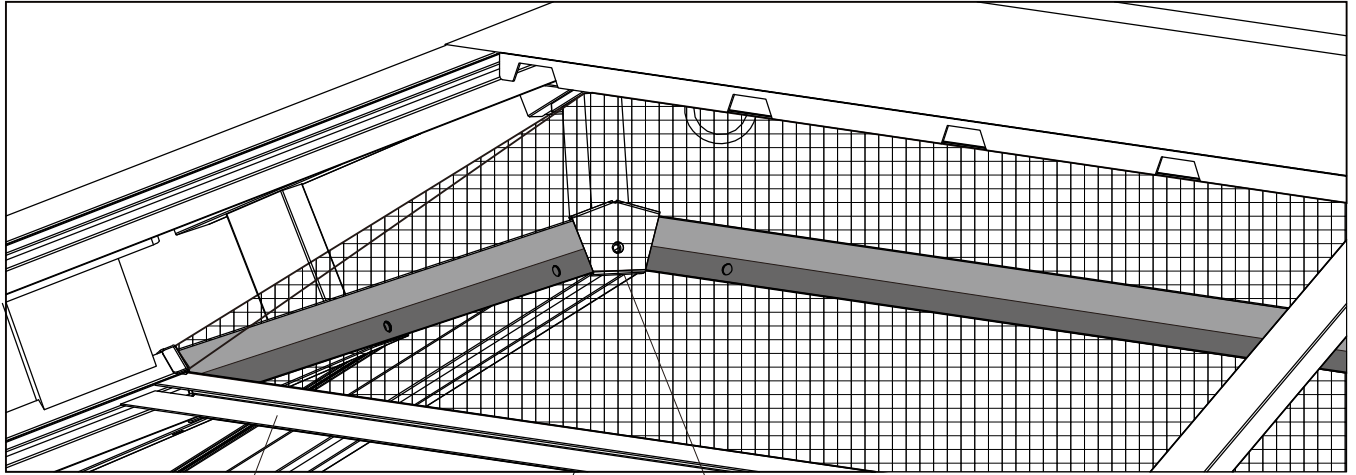
# FINISHING END #Q ASSEMBLY:



**Inside View**

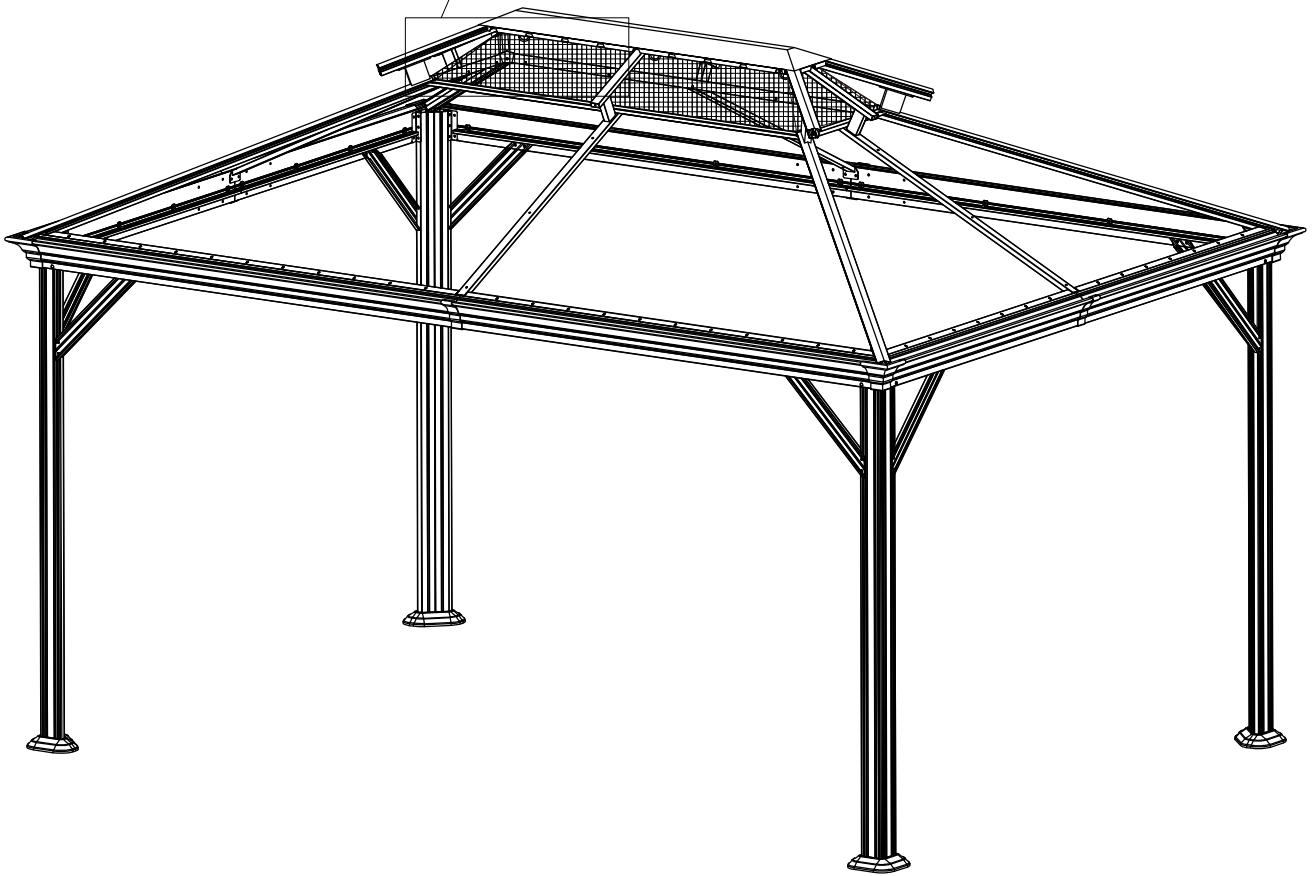
■ Plastic Bar on the mesh

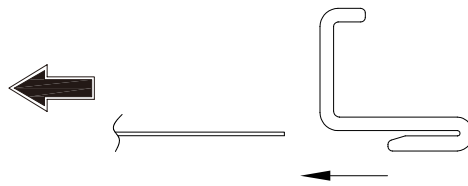
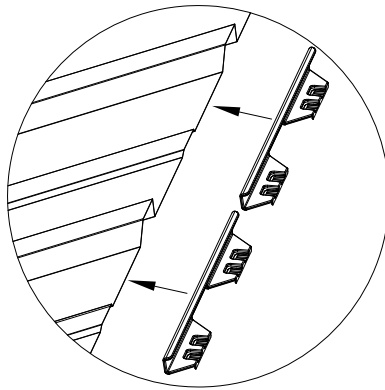
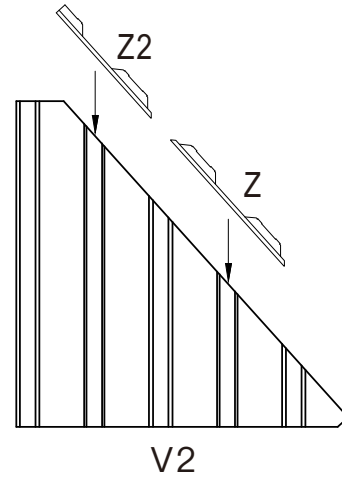
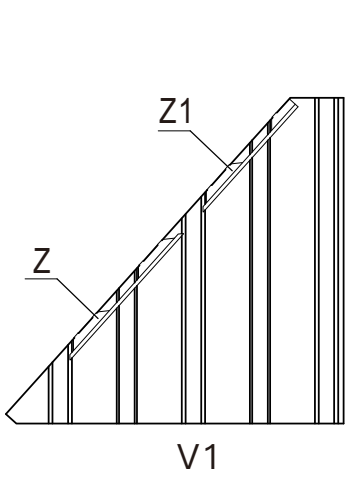
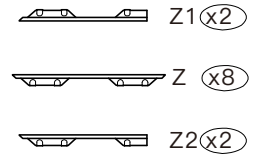
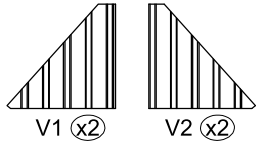
■ #N/N1



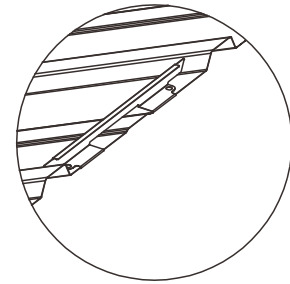
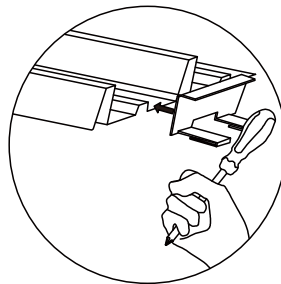
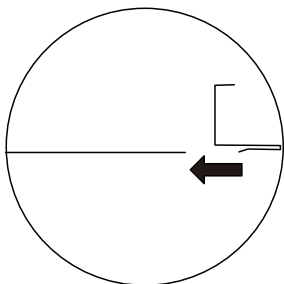
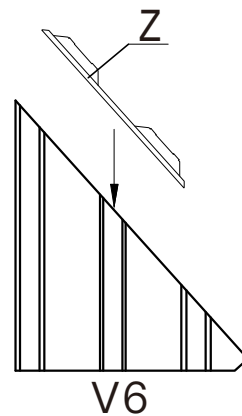
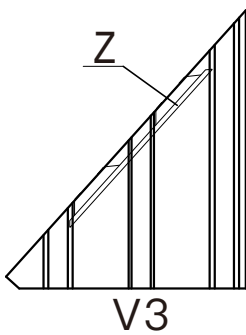
N1

Q

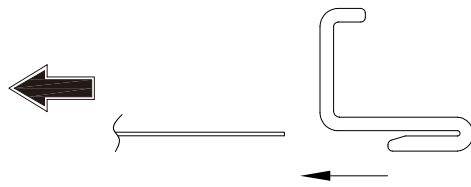
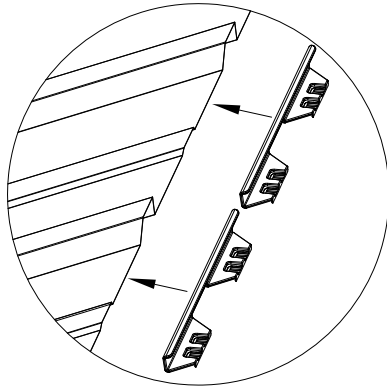
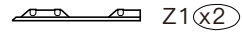
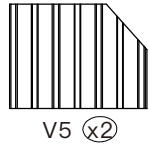
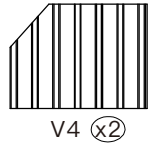




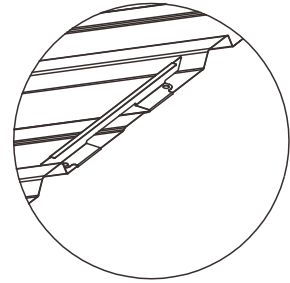
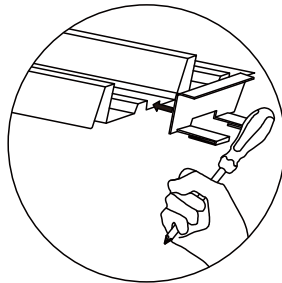
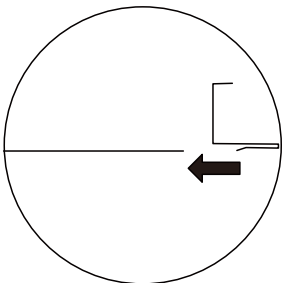
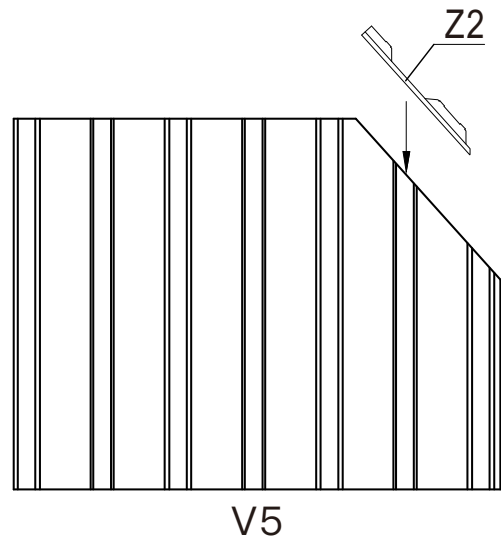
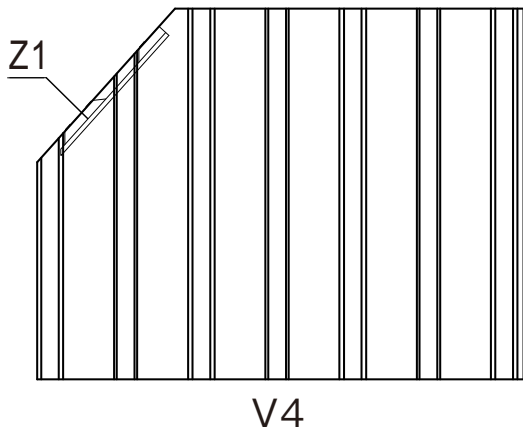
**Section View**



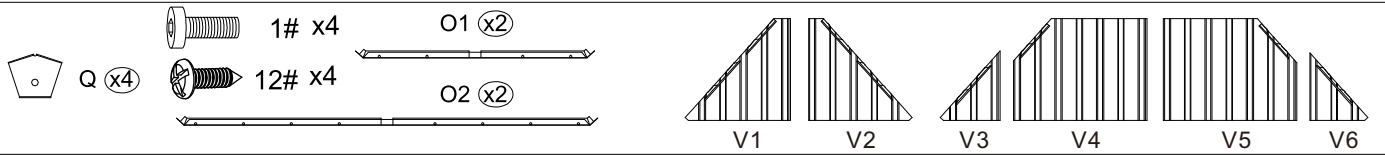
**Attach Part #Z, #Z1 & #Z2 by lightly tapping with screwdriver.**



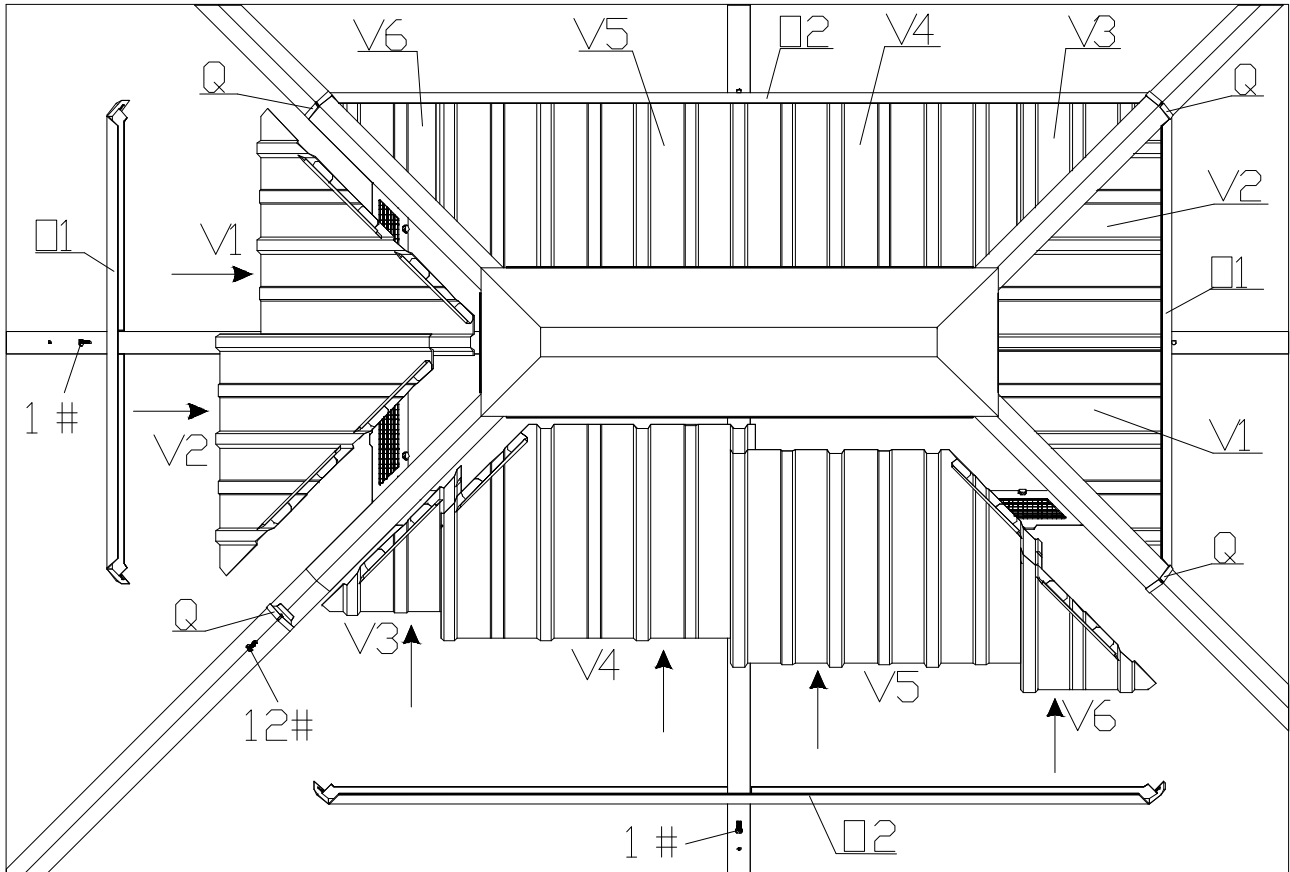
**Section View**



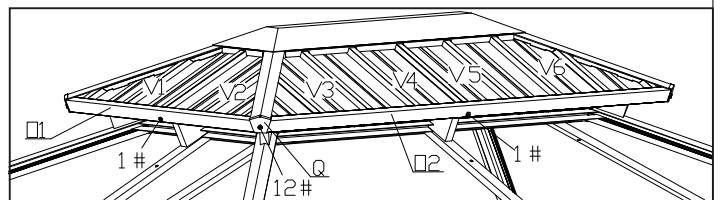
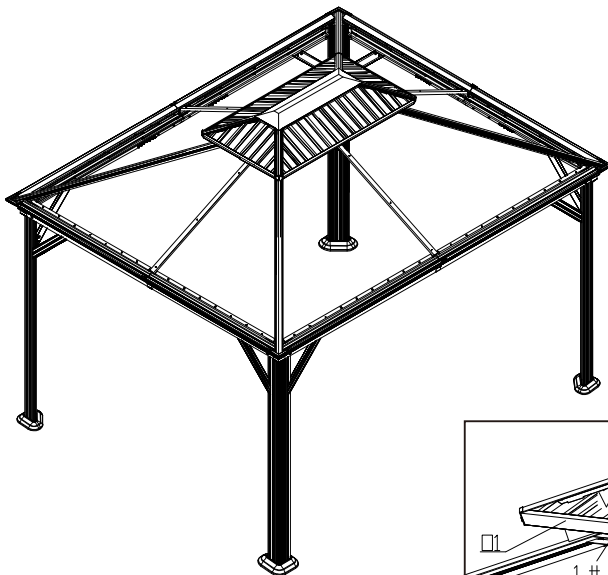
Attach Part #Z1 & #Z2 by lightly tapping with screwdriver.



## SMALL ROOF PANEL AND FINISHING BAR ASSEMBLY:



If you can't install #V4, push the Outside Roof Cover up and try to insert them again.



U1 (x4)

U2 (x4)



U3 (x4)

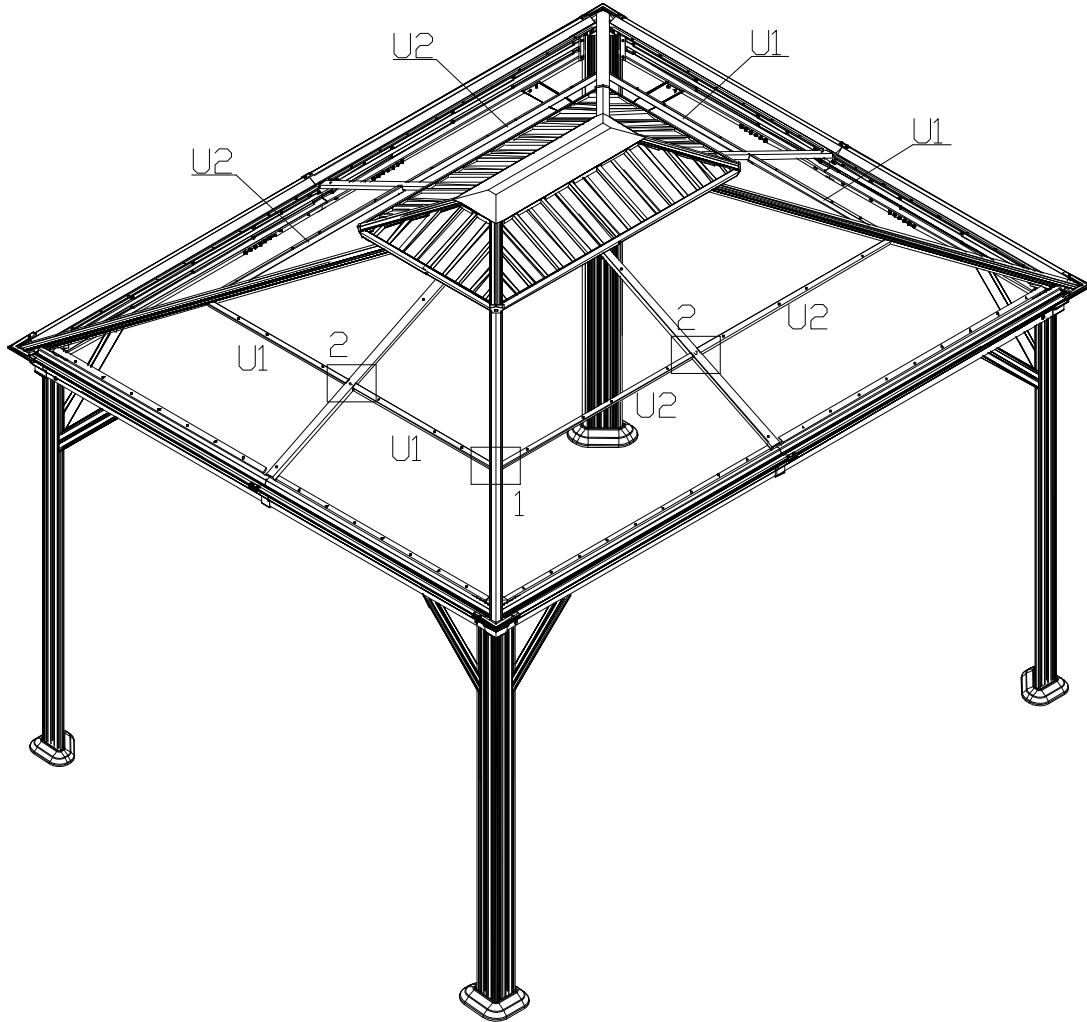


U4 (x4)

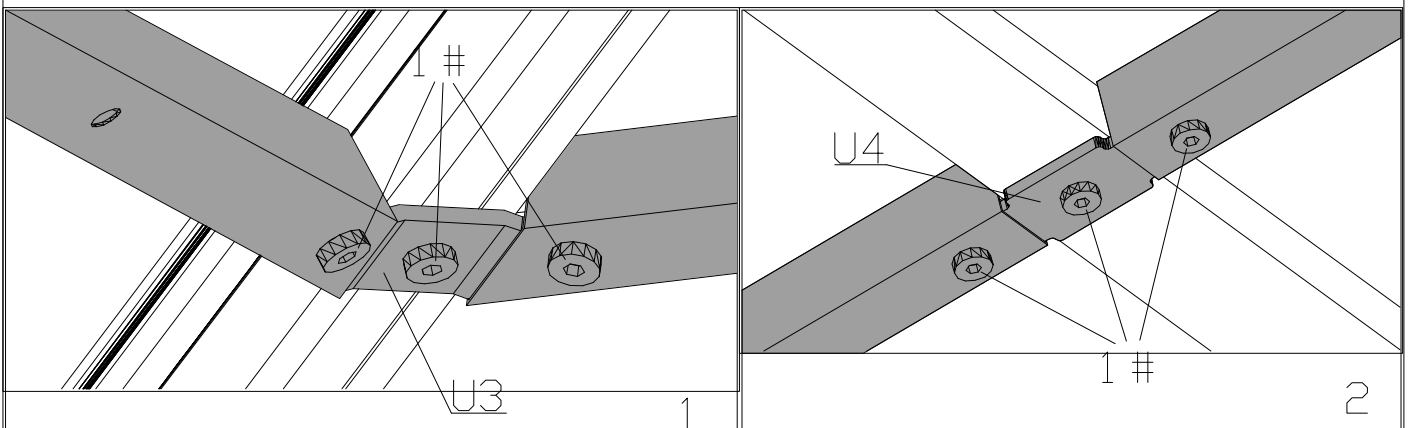


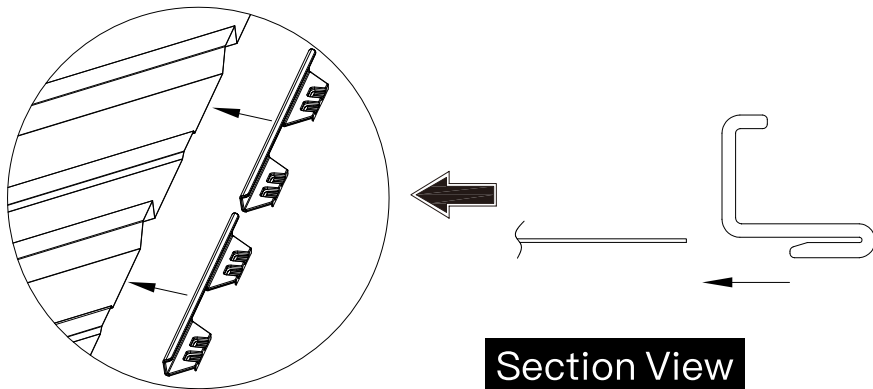
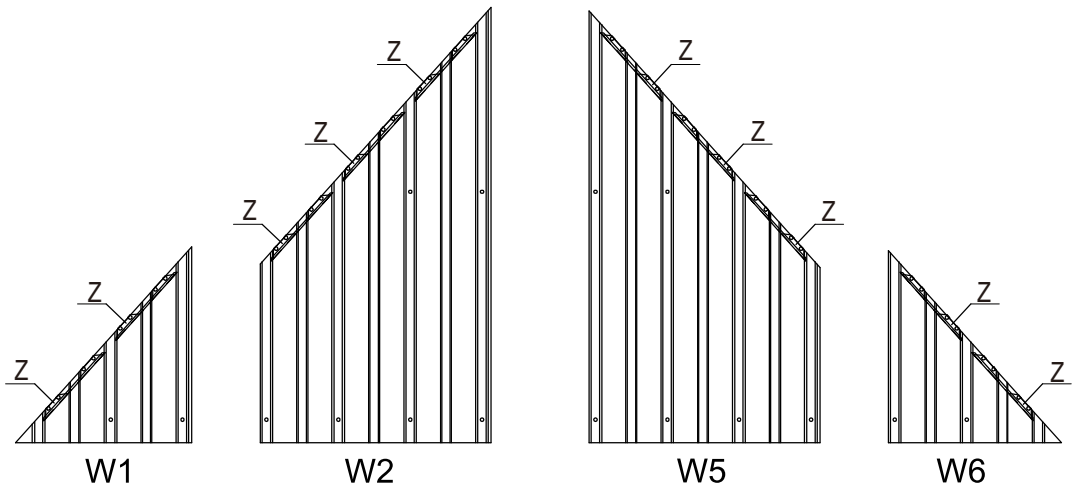
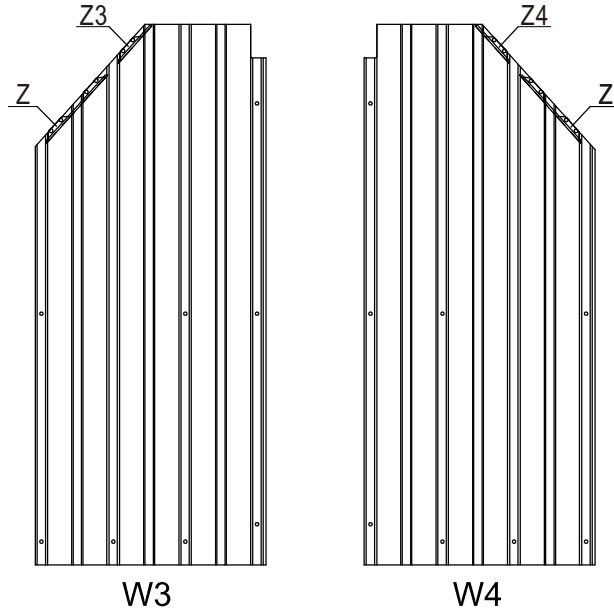
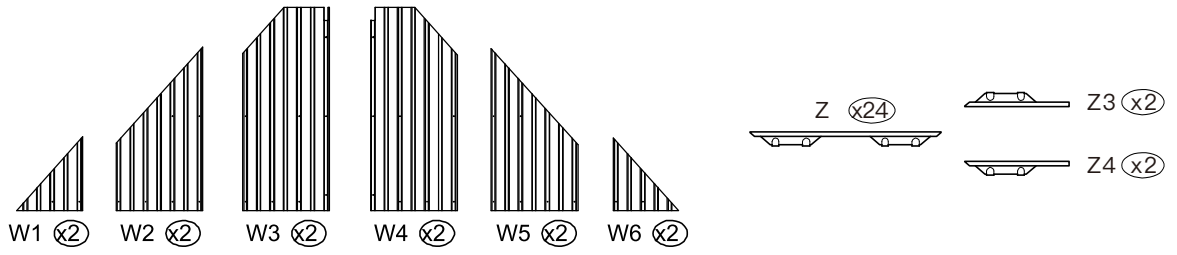
1#  
x24

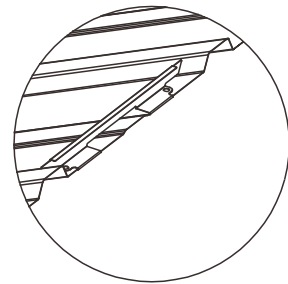
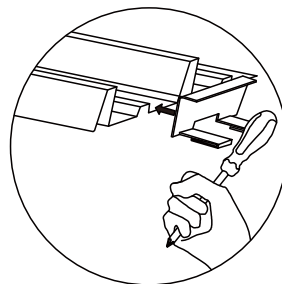
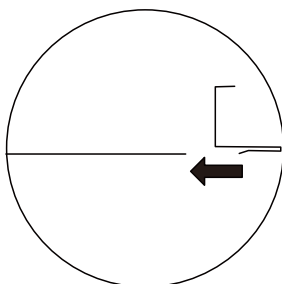
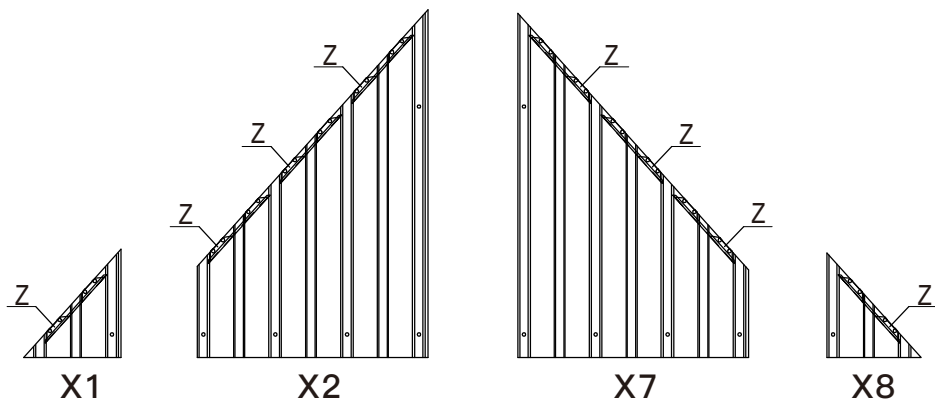
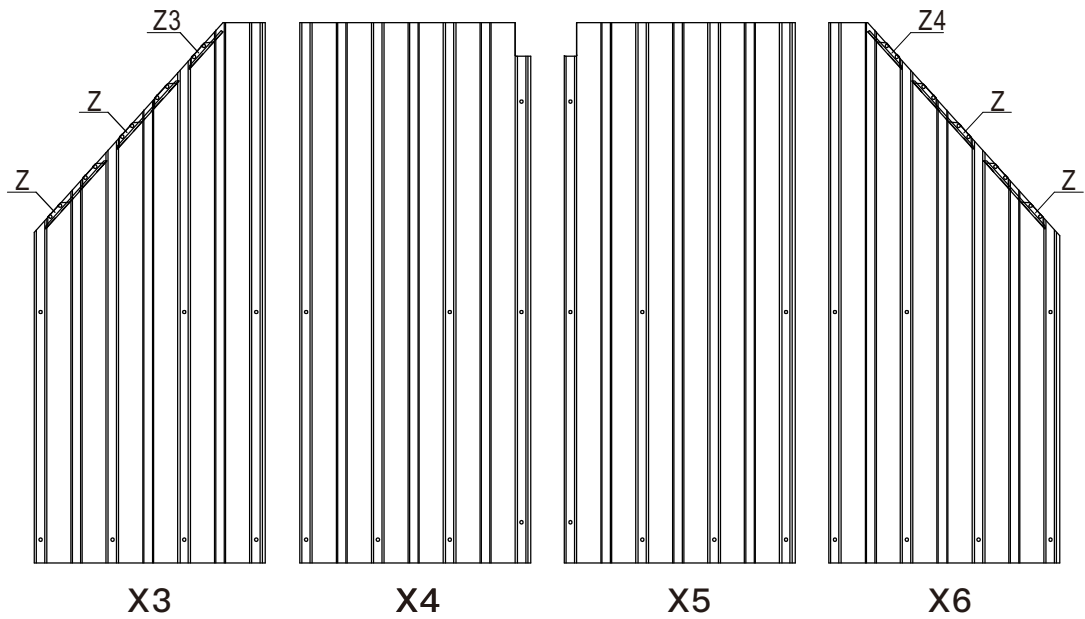
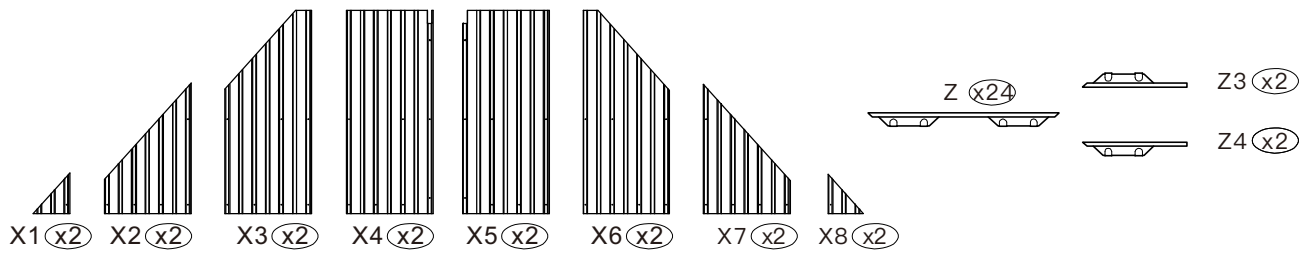
# SOLIDIFYING BAR ASSEMBLY:



## Inside View

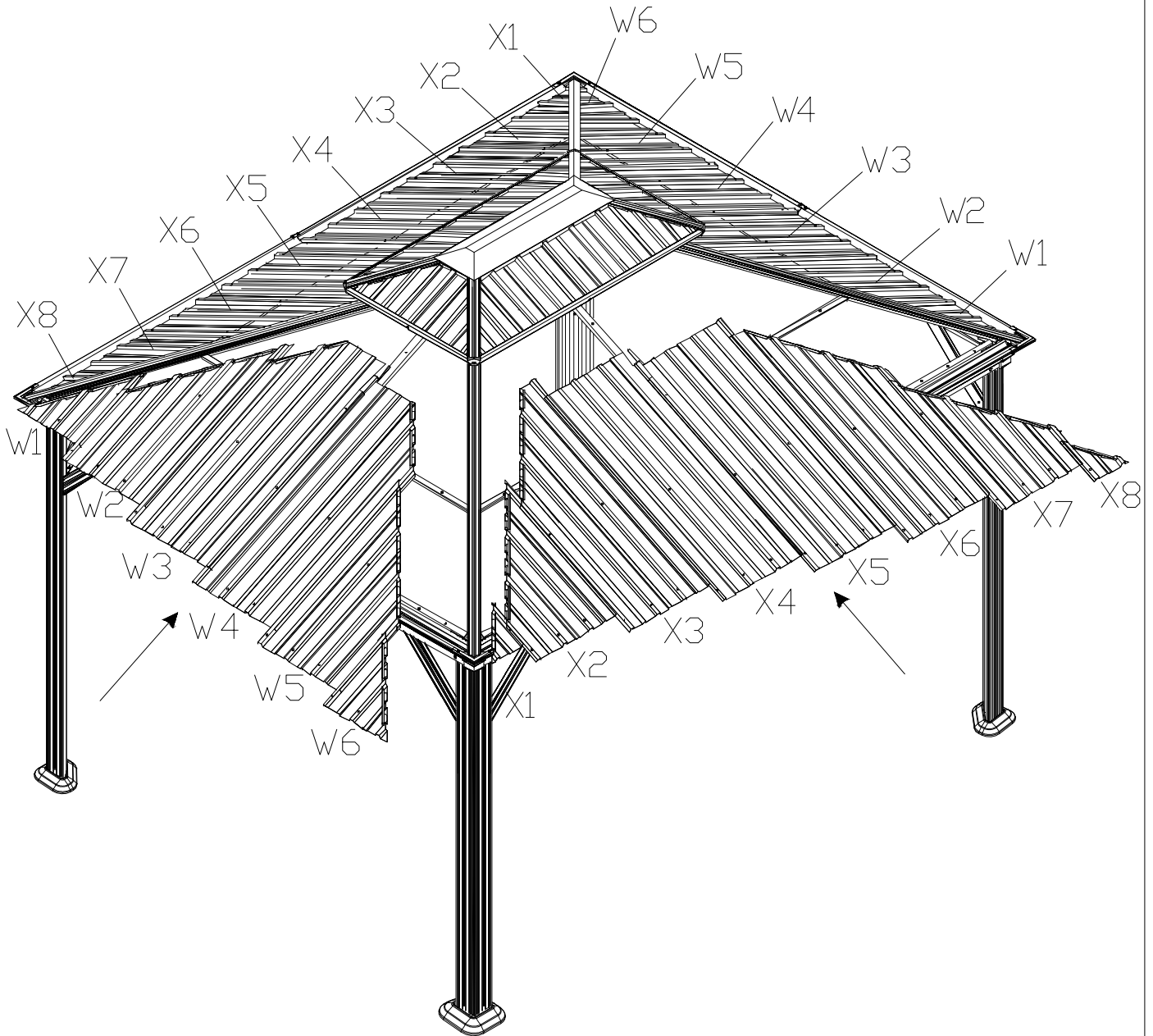




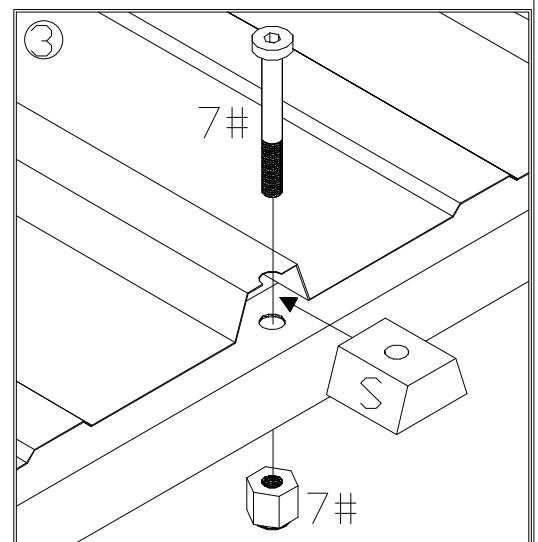
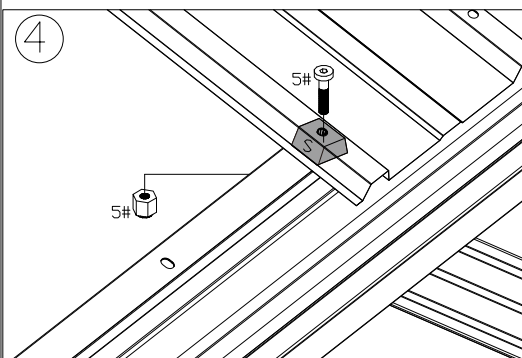
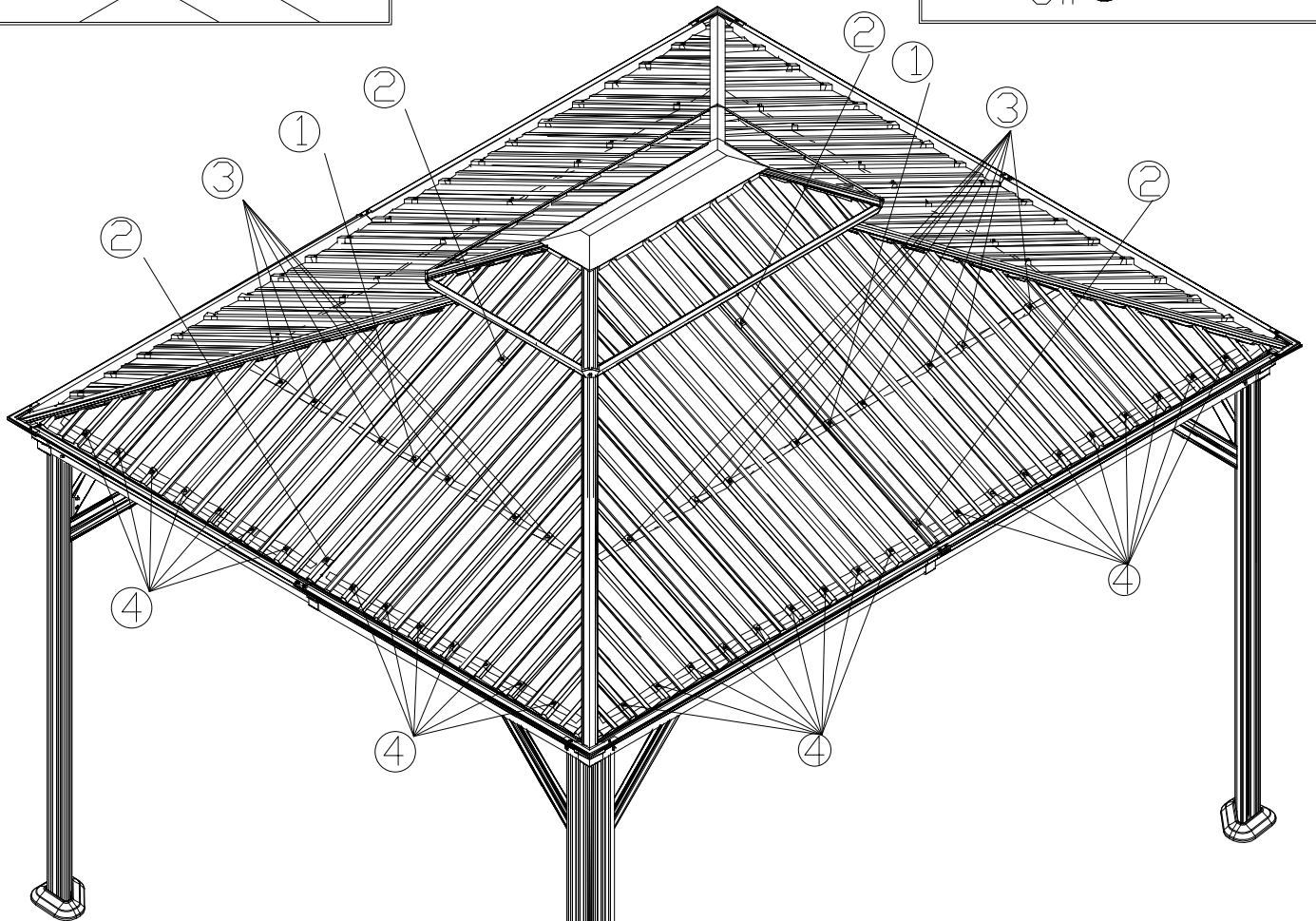
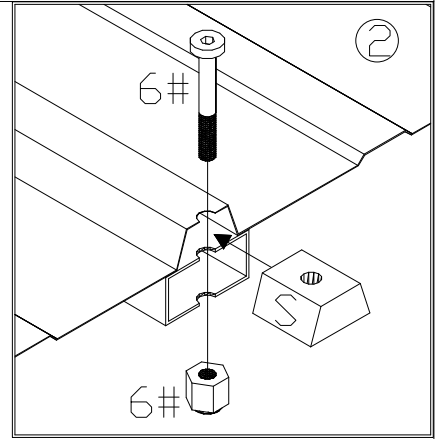
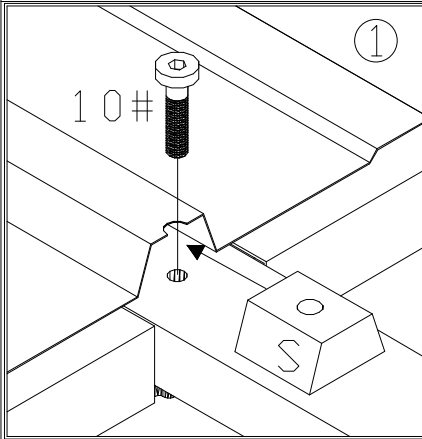
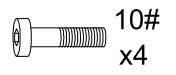
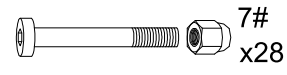
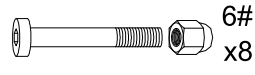
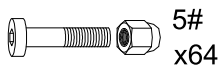
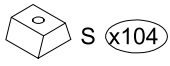


Attach Part #Z, #Z3 & #Z4 by lightly tapping with screwdriver.

Install the Middle Panels (#X4 ,X5 or #W3,W4) first, then the small panels on the edge.

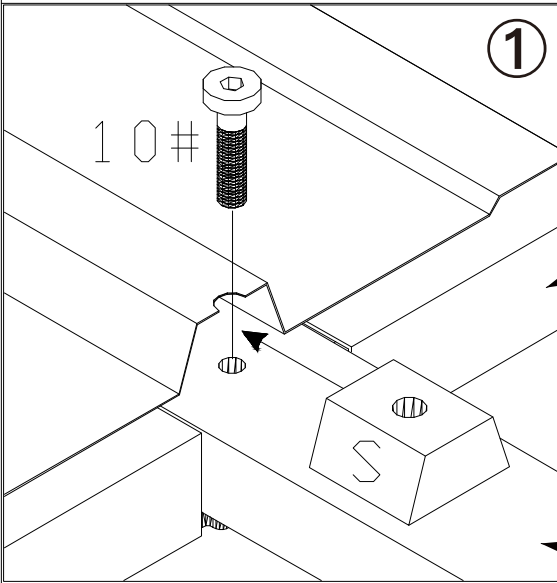


The Black Rubber #S should be assembled when installing the roof panels; please see the next page.



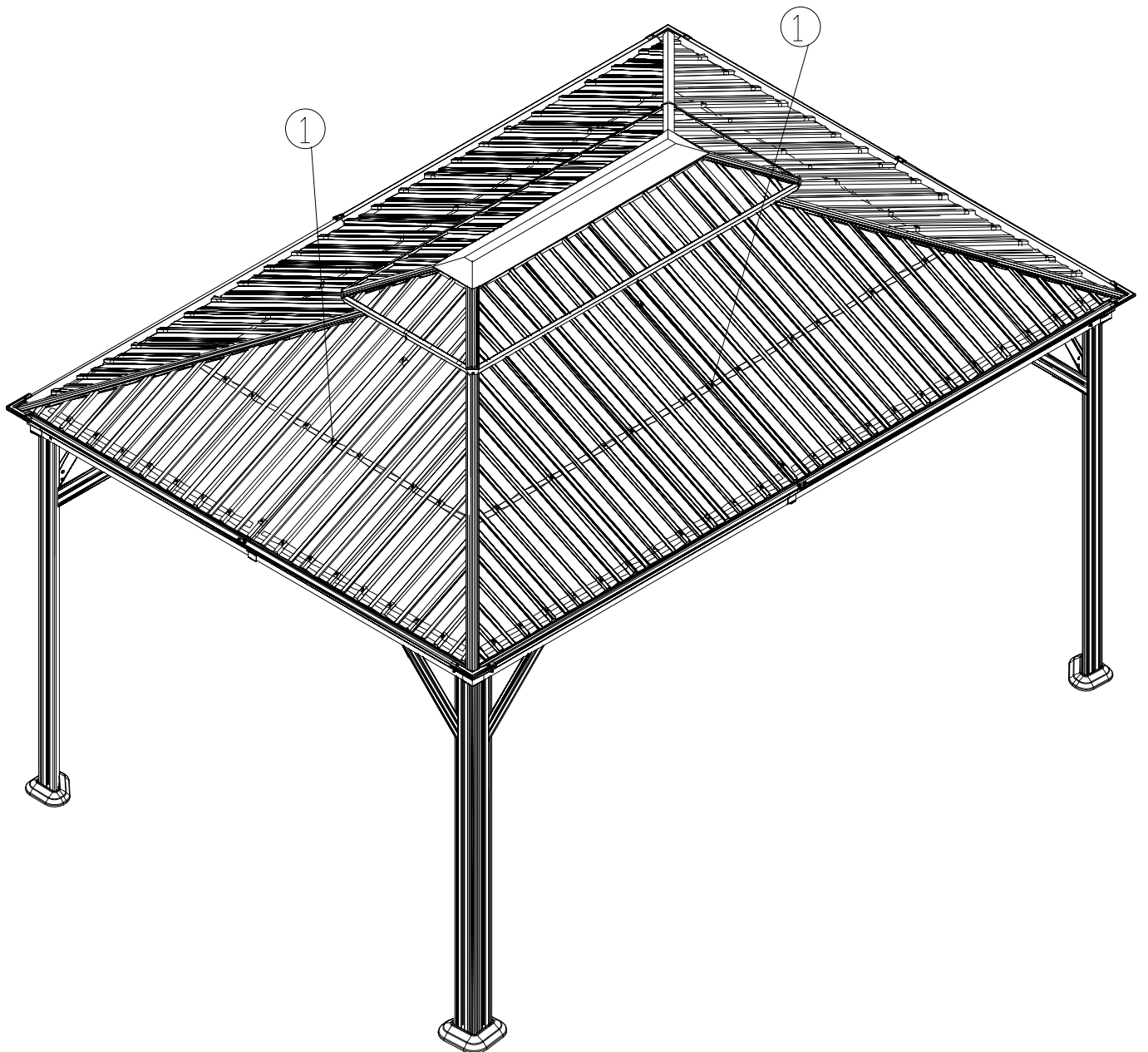
S x4

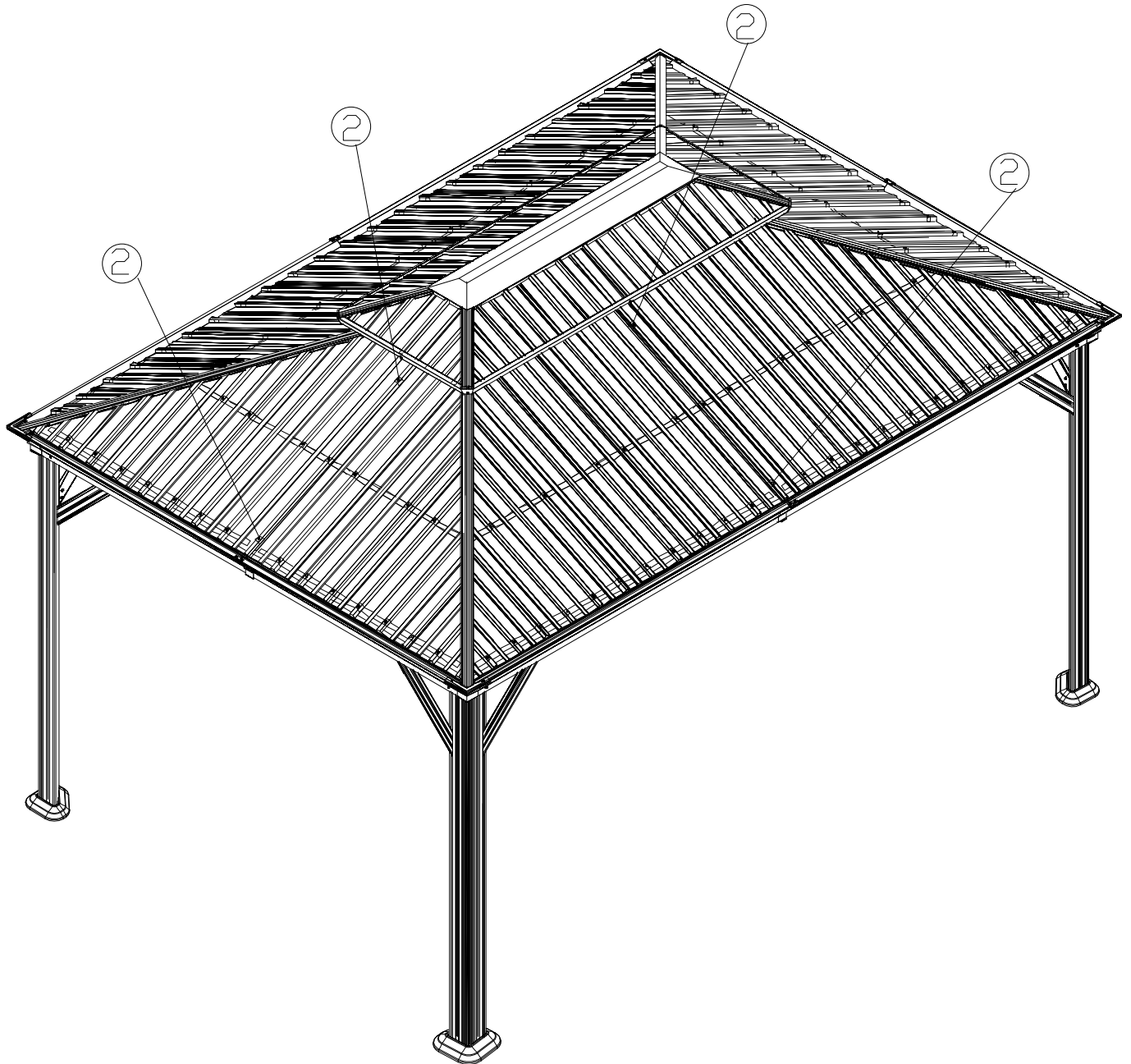
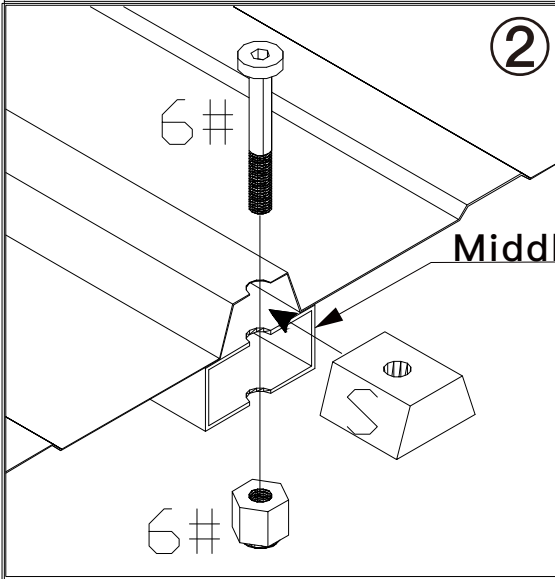
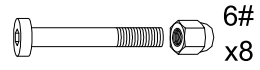
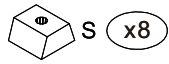
10#  
x4

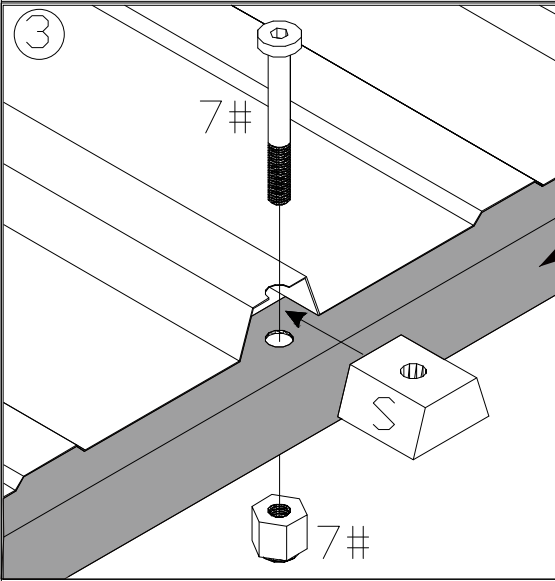
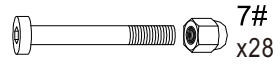
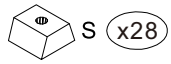


Solidifying Bar

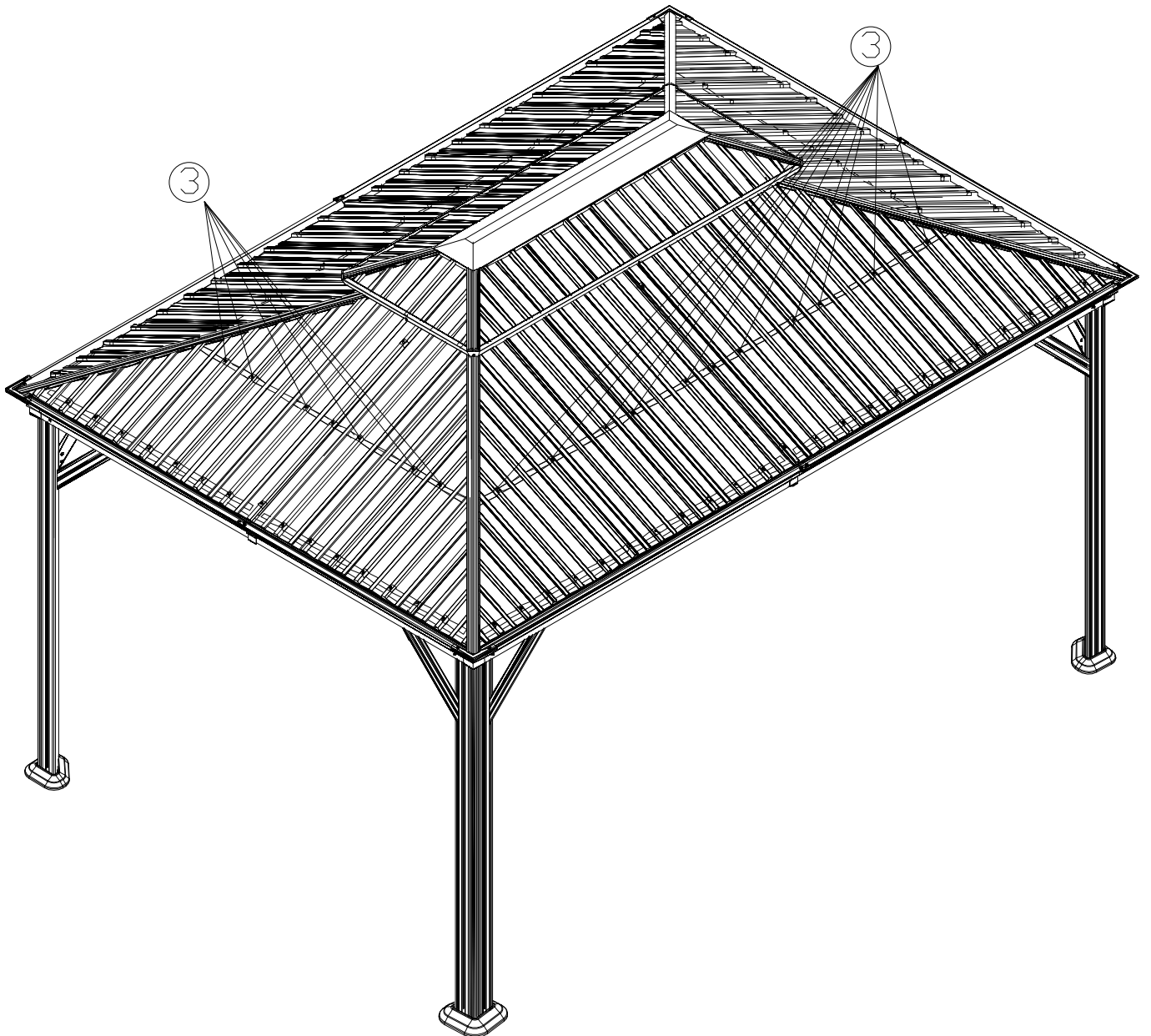
Middle Roof Tube

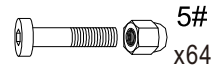
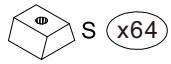




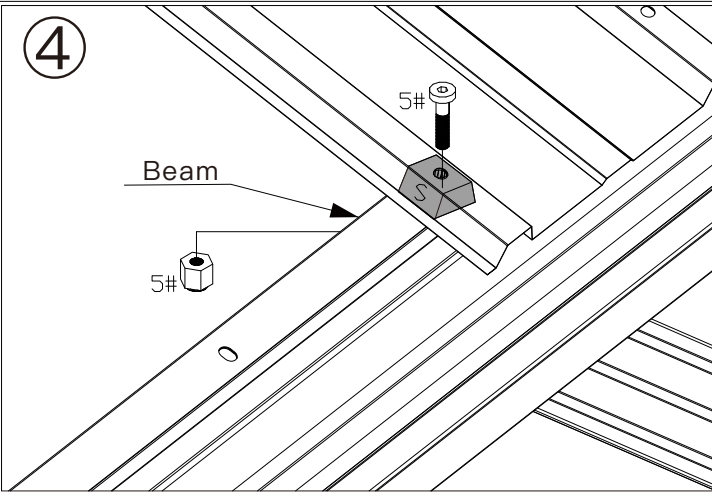


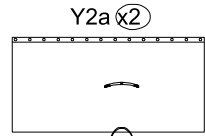
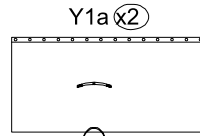
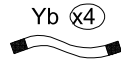
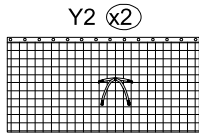
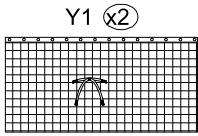
Solidifying Bar



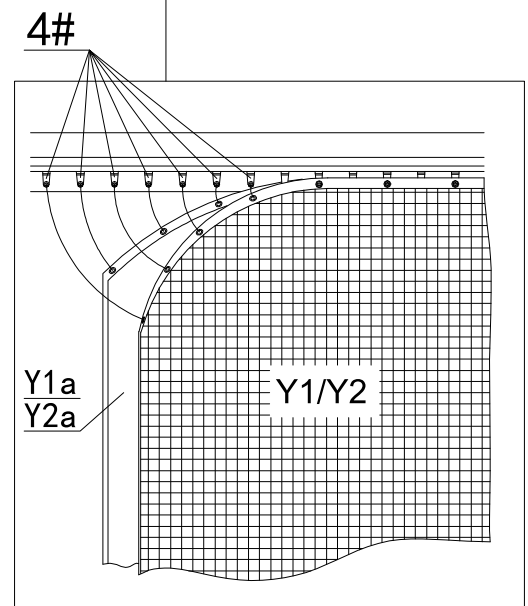
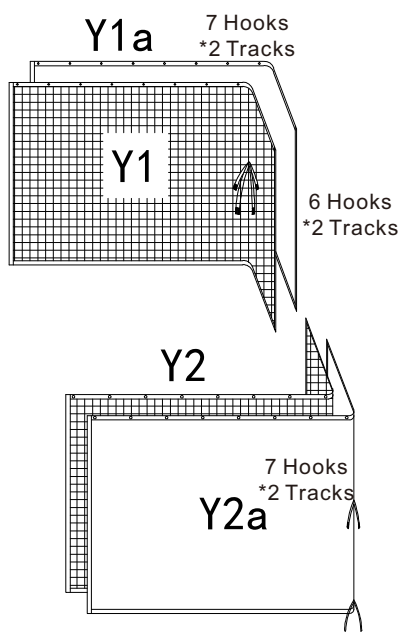
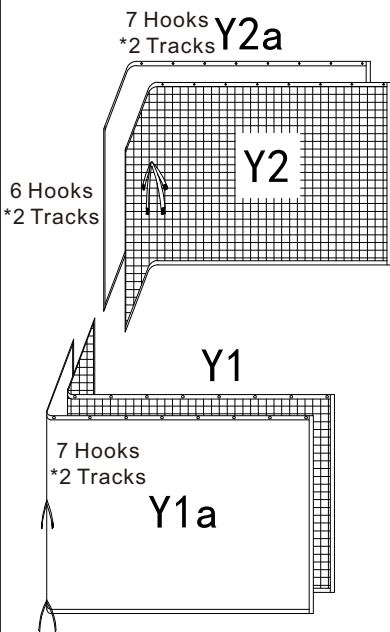
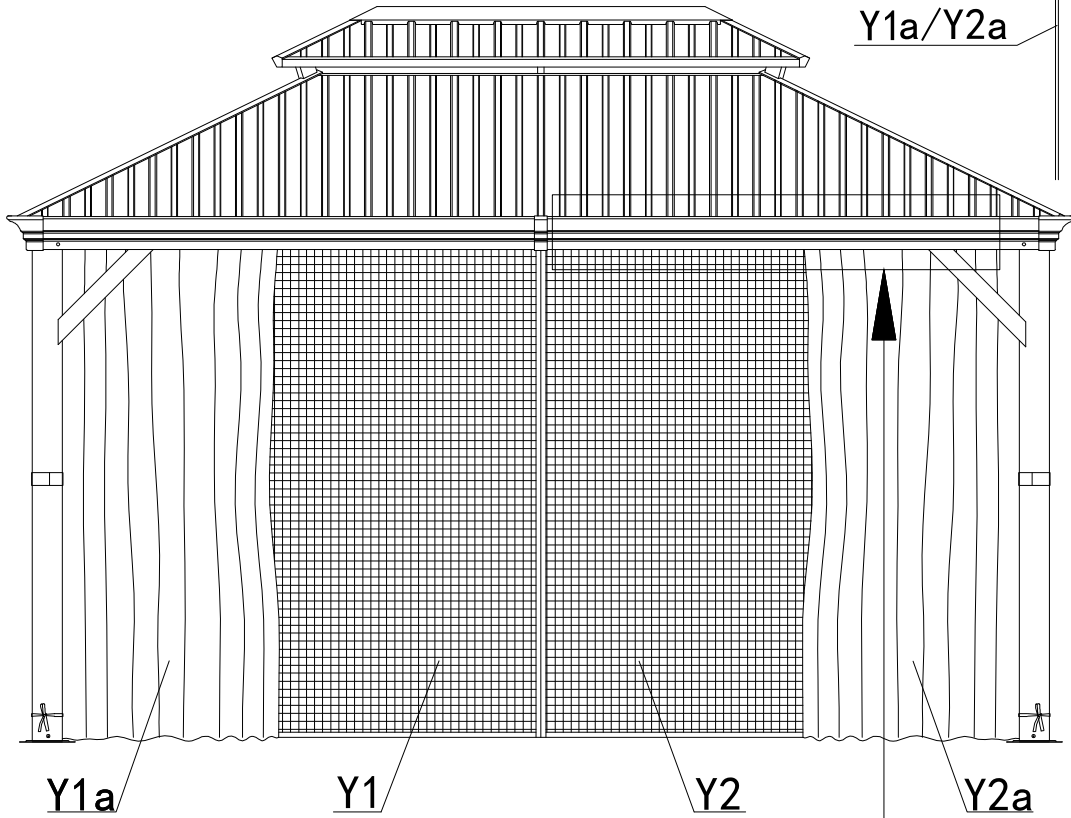


4





# MOSQUITO NETTING AND SOLID SIDEWALL ASSEMBLY:



Please close your gazebo curtain when it is incoming over 30 mph wind, and tie with Strap #Yb.

