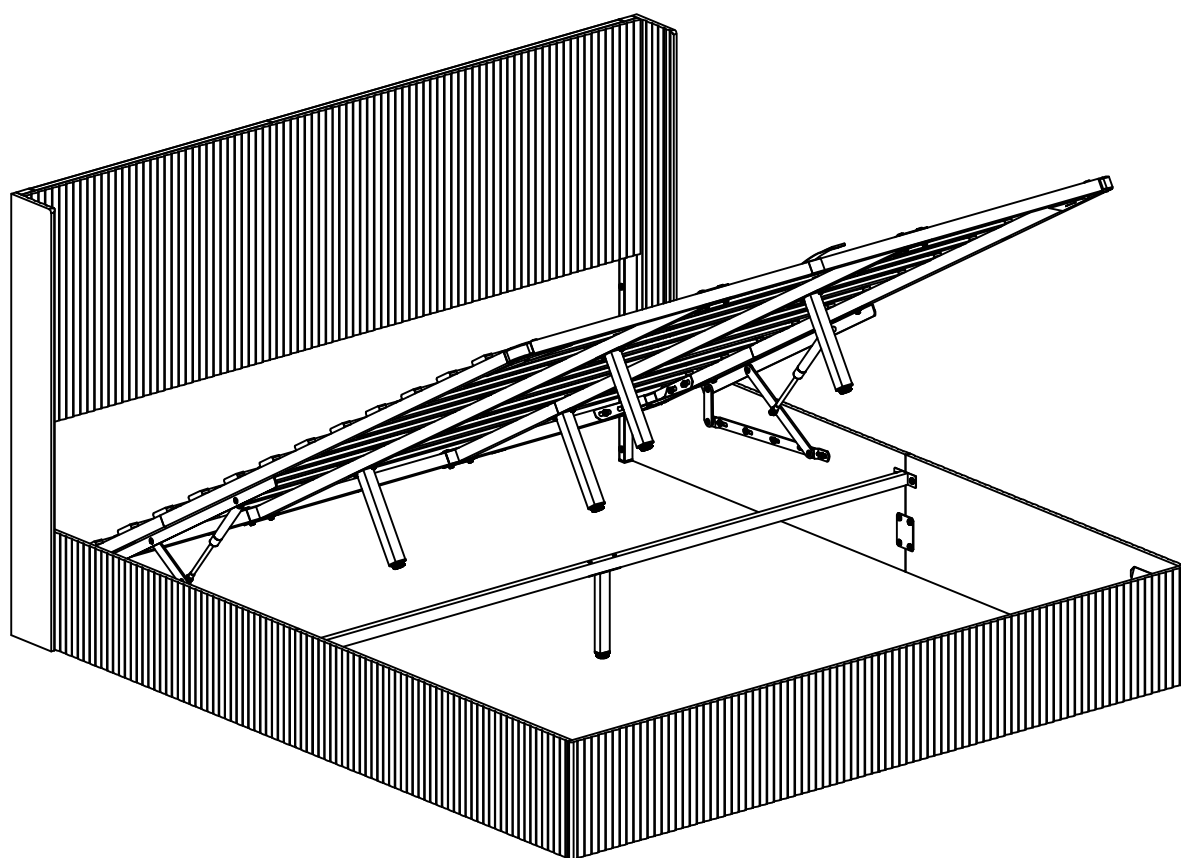


installation manual

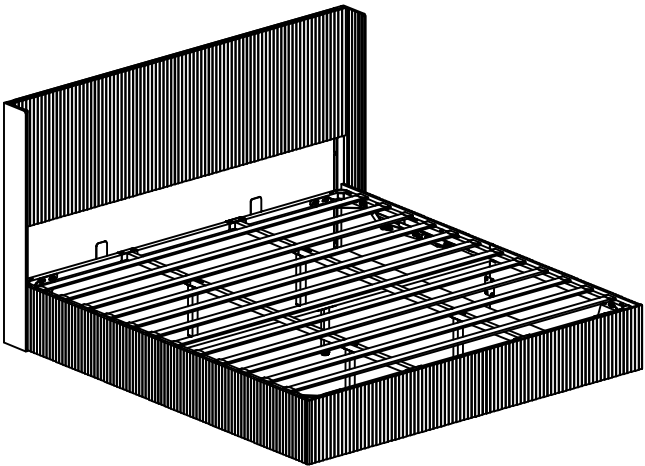


TIPS

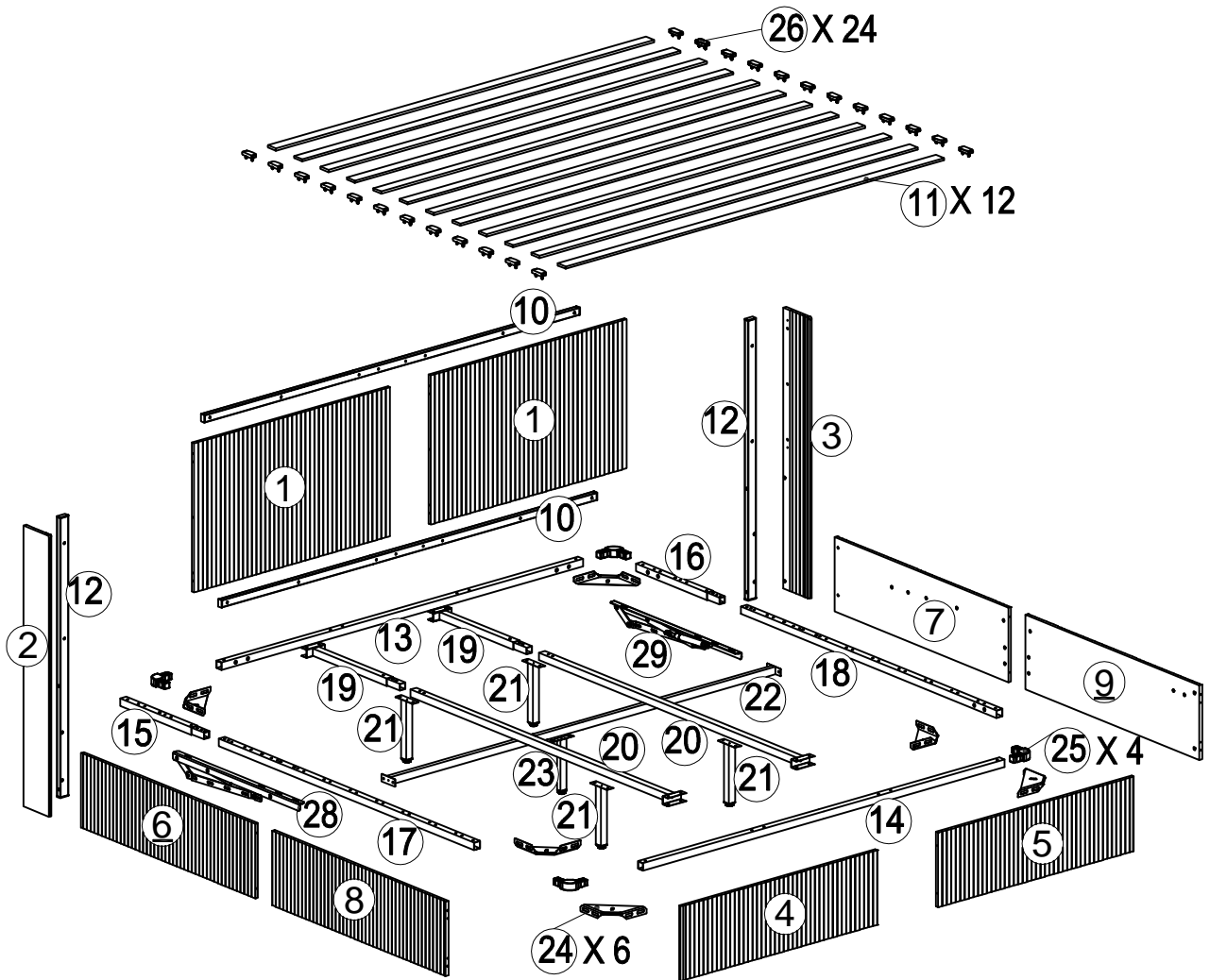
1. Please read the instructions fully before assembly. These instructions include important information which could ensure correct assembly. We have been working on providing high quality products for you. However, in the rare instance that your product is defective, missing parts or there are some issues, please don't hesitate to contact our customer service to submit parts requirements, assembly suggestion or warranty claims, and we will give the best solution as soon as possible. If necessary, we need you to provide some more clear pictures of the issue.

2. insert the screws in holes and tighten the screws, but not too tight, 70%~80% is ok, finally tighten all the screws. If some issues happened that some screws cannot target to the hole or some parts are difficult to install, please adjust the tightness of the screws.

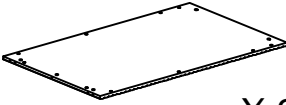

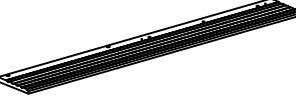


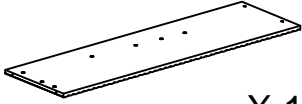
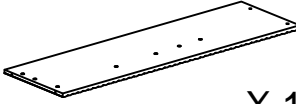





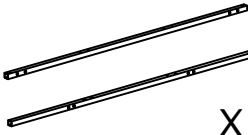

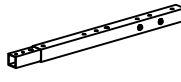
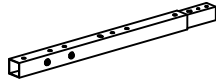
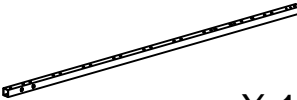

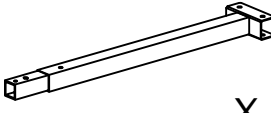

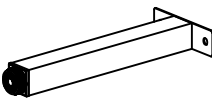

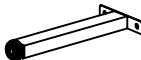


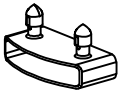

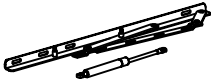
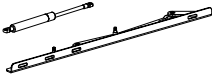

3. 2 people are recommended to finish



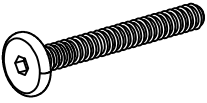
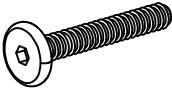
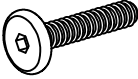

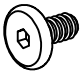
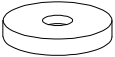

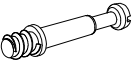
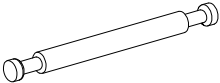
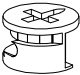
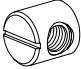

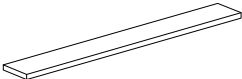
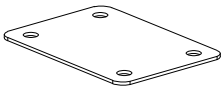
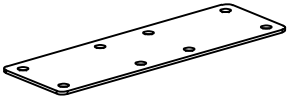

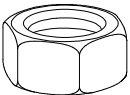
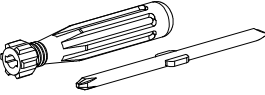

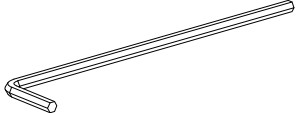
Components





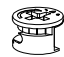

Hardware

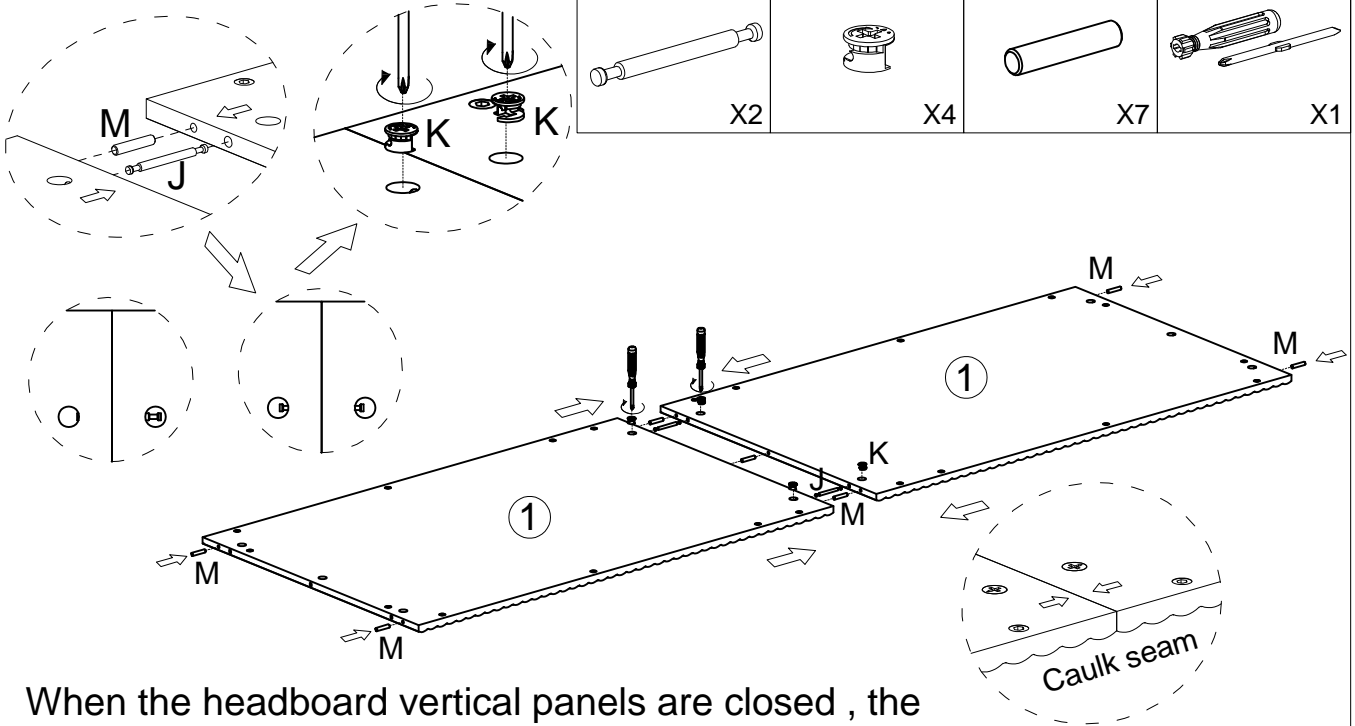
<p>①</p>  <p>X 2</p>	<p>②</p>  <p>X 1</p>	<p>③</p>  <p>X 1</p>	<p>④</p>  <p>X 1</p>
<p>⑤</p>  <p>X 1</p>	<p>⑥</p>  <p>X 1</p>	<p>⑦</p>  <p>X 1</p>	<p>⑧</p>  <p>X 1</p>
<p>⑨</p>  <p>X 1</p>	<p>⑩</p>  <p>X 2</p>	<p>⑪</p>  <p>X 12</p>	<p>⑫</p>  <p>X 2</p>
<p>⑬</p>  <p>X 1</p>	<p>⑭</p>  <p>X 1</p>	<p>⑮</p>  <p>X 1</p>	<p>⑯</p>  <p>X 1</p>
<p>⑰</p>  <p>X 1</p>	<p>⑱</p>  <p>X 1</p>	<p>⑲</p>  <p>X 2</p>	<p>⑳</p>  <p>X 2</p>
<p>㉑</p>  <p>X 4</p>	<p>㉒</p>  <p>X 1</p>	<p>㉓</p>  <p>X 1</p>	<p>㉔</p>  <p>X 6</p>
<p>㉕</p>  <p>X 4</p>	<p>㉖</p>  <p>X 24+2</p>	<p>㉗</p>  <p>X 2</p>	<p>㉘</p>  <p>X 1</p>
<p>㉙</p>  <p>X 1</p>	<p>㉚</p>  <p>X 1</p>		

Hardware

<p>A M6 x 50</p>  <p>X 8+1</p>	<p>B M6 x 40</p>  <p>X 26+2</p>	<p>C M6 x 30</p>  <p>X 20+2</p>	<p>D M6 x 18</p>  <p>X 8+1</p>
<p>E M6 x 12</p>  <p>X 70+4</p>	<p>F Ø24 x 5</p>  <p>X 8+1</p>	<p>G M6 x 6</p>  <p>X 26+2</p>	<p>H M6 x 35</p>  <p>X 10+1</p>
<p>J Ø5 x 60</p>  <p>X 2</p>	<p>K Ø15 x 9.5</p>  <p>X 14+1</p>	<p>L Ø9.8 x 10.5</p>  <p>X 4</p>	<p>M Ø6 x 30</p>  <p>X 17+2</p>
<p>N 12 x 100</p>  <p>X 16+2</p>	<p>O 84 x 60 x 1.5</p>  <p>X 2</p>	<p>P 188 x 60 x 2</p>  <p>X 2</p>	<p>Q 100 x 60 x 2</p>  <p>X 2</p>
<p>R M8 x 6</p>  <p>X 4+1</p>	<p>S</p>  <p>X 1</p>	<p>T 10 / 13</p>  <p>X 1</p>	<p>U M4</p>  <p>X 1</p>



01

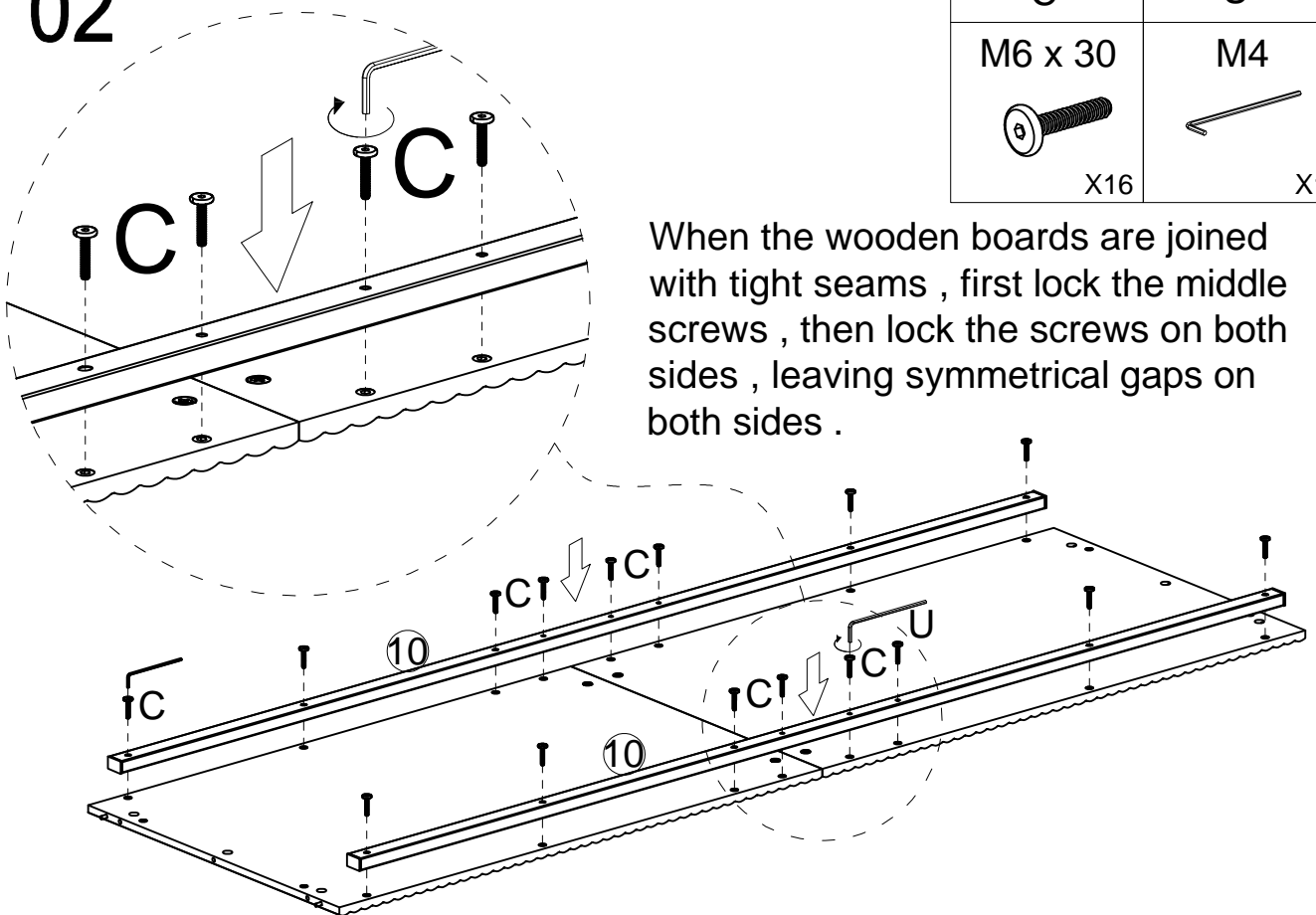
J	K	M	S
Ø5 x 60	Ø15 x 9.5	Ø6 x 30	
			
X2	X4	X7	X1



When the headboard vertical panels are closed , the distances on both sides of the double-headed part should be symmetrical . Place the three-in-one plate and lock the seams of the wooden panels clockwise at both ends .



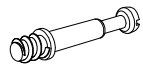
02

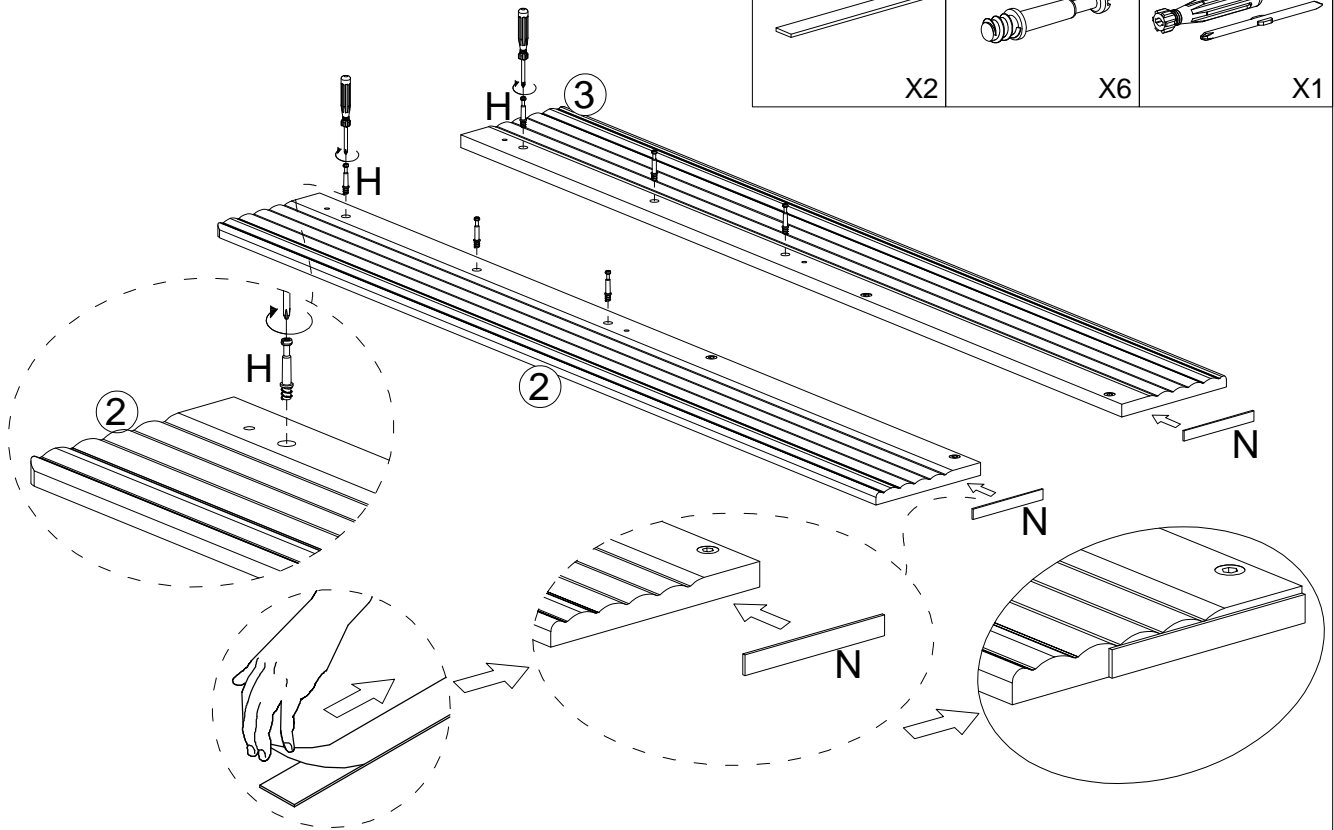
C	U
M6 x 30	M4
	
X16	X1



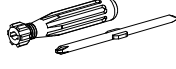

When the wooden boards are joined with tight seams , first lock the middle screws , then lock the screws on both sides , leaving symmetrical gaps on both sides .

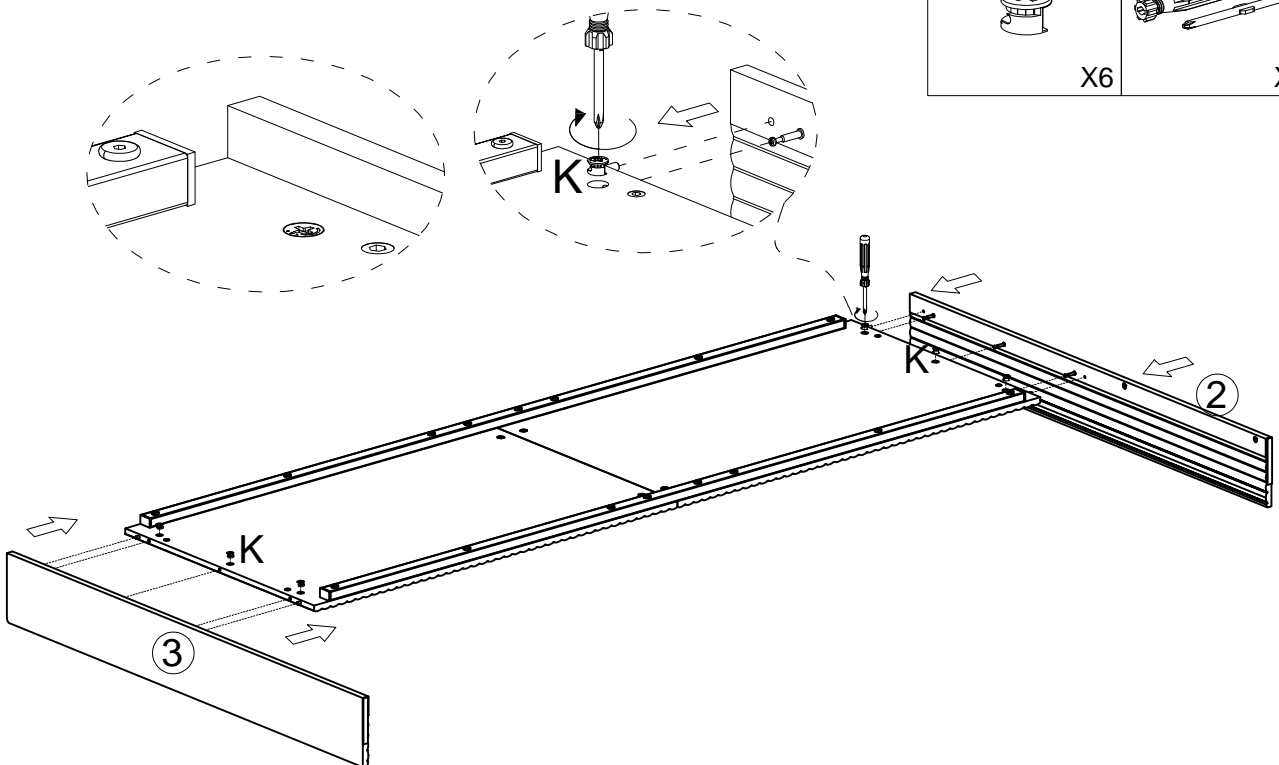
03

N	H	S
12 x 100	M6 x 35	
		
X2	X6	X1





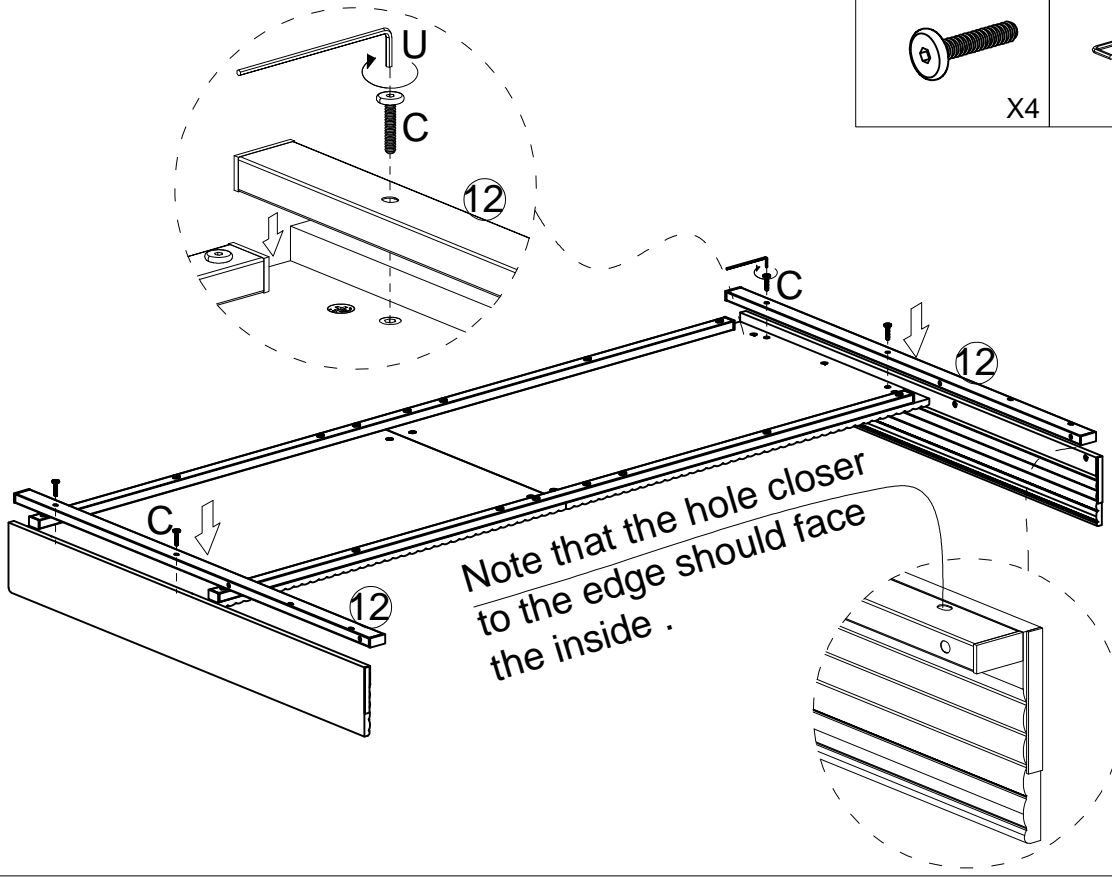
04

K	S
Ø15 x 9.5	
	
X6	X1





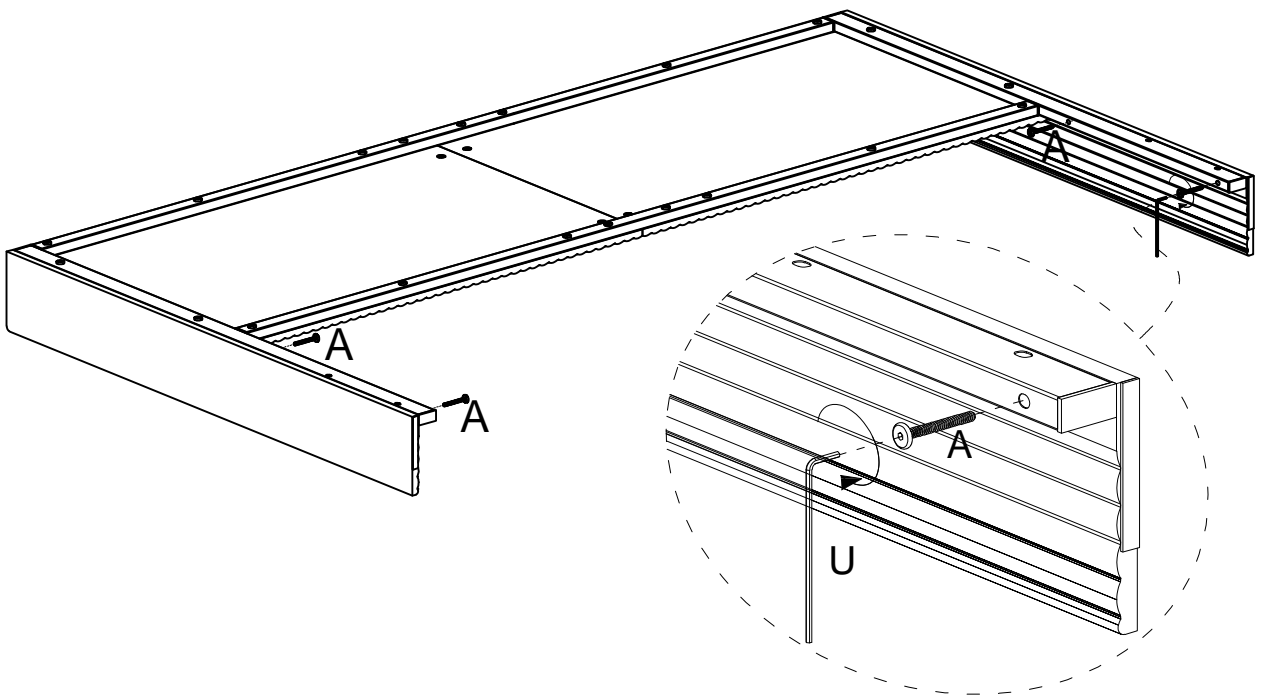
05

C	U
M6 x 30	M4
	
X4	X1





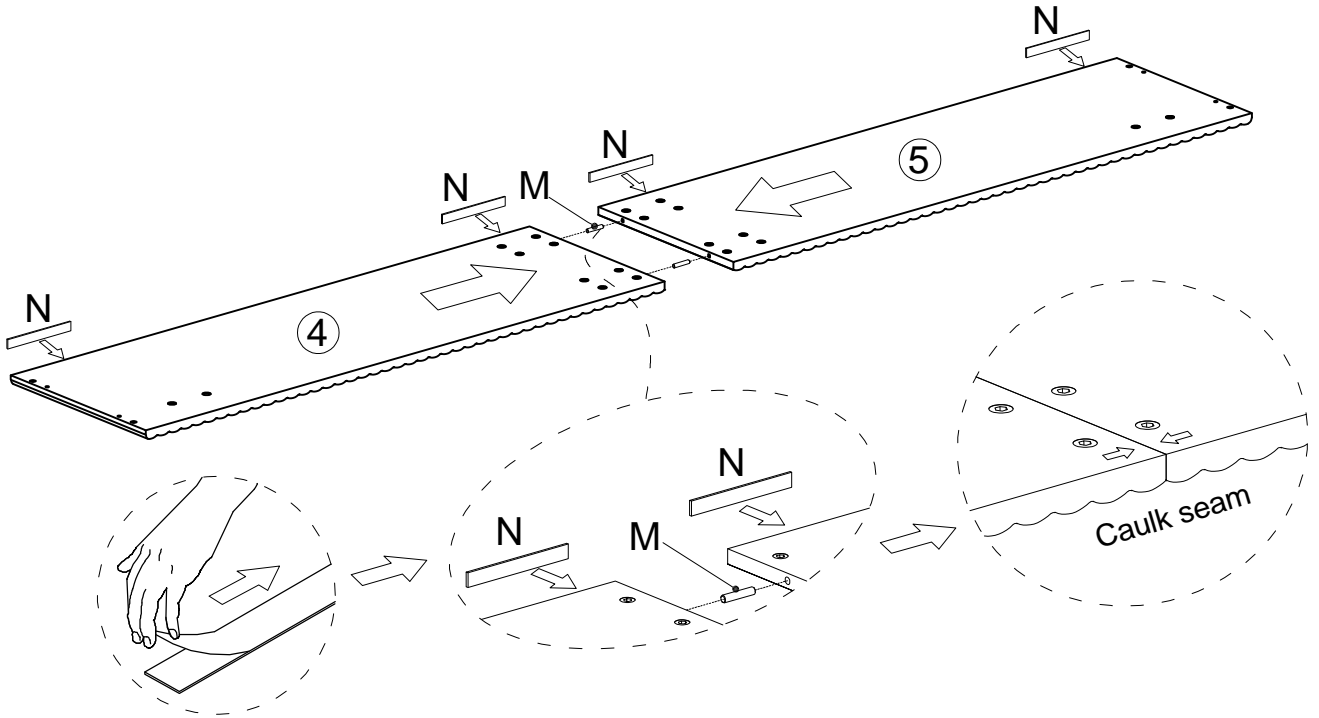
06

A	U
M6 x 50	M4
	
X4	X1


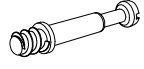





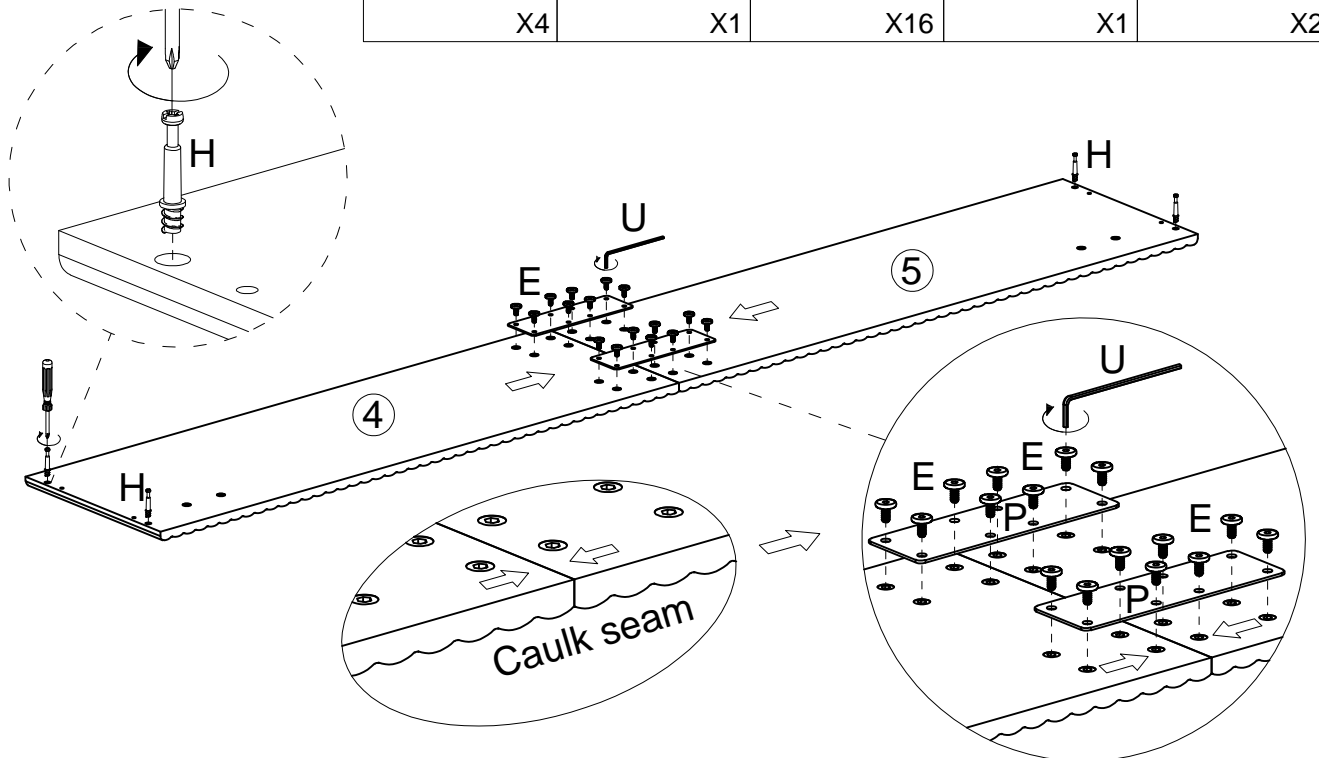
07

N	M
12 x 100	Ø6 x 30
	
X4	X2

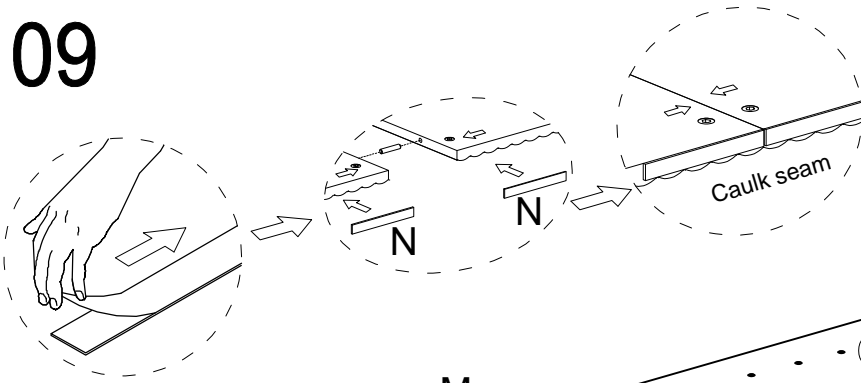




08

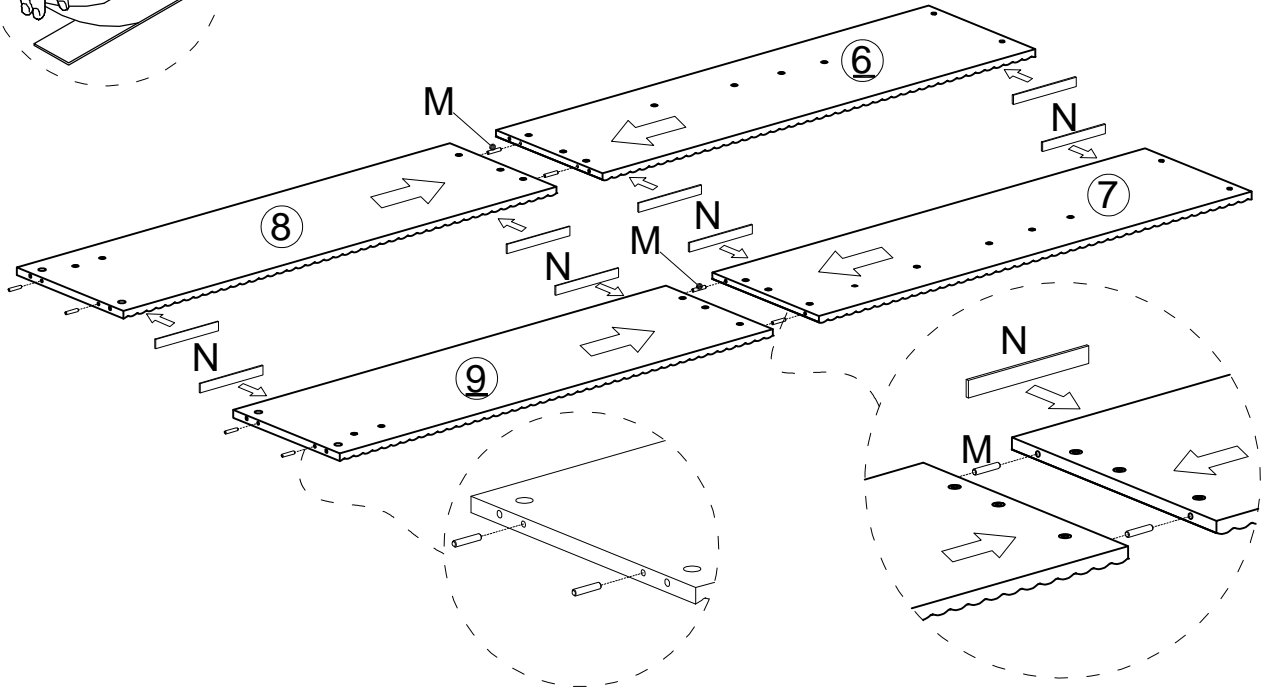
H	S	E	U	P
M6 x 35		M6 x 12	M4	188x60x2
	X1			
X4		X16	X1	X2



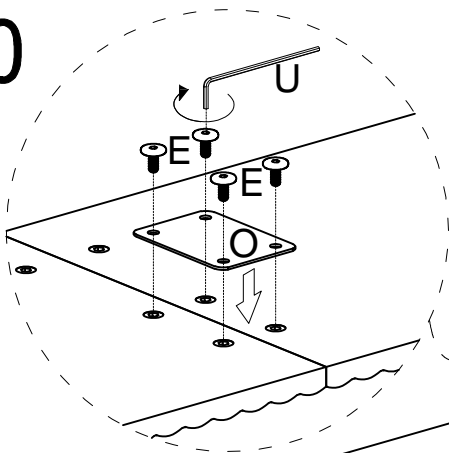
09






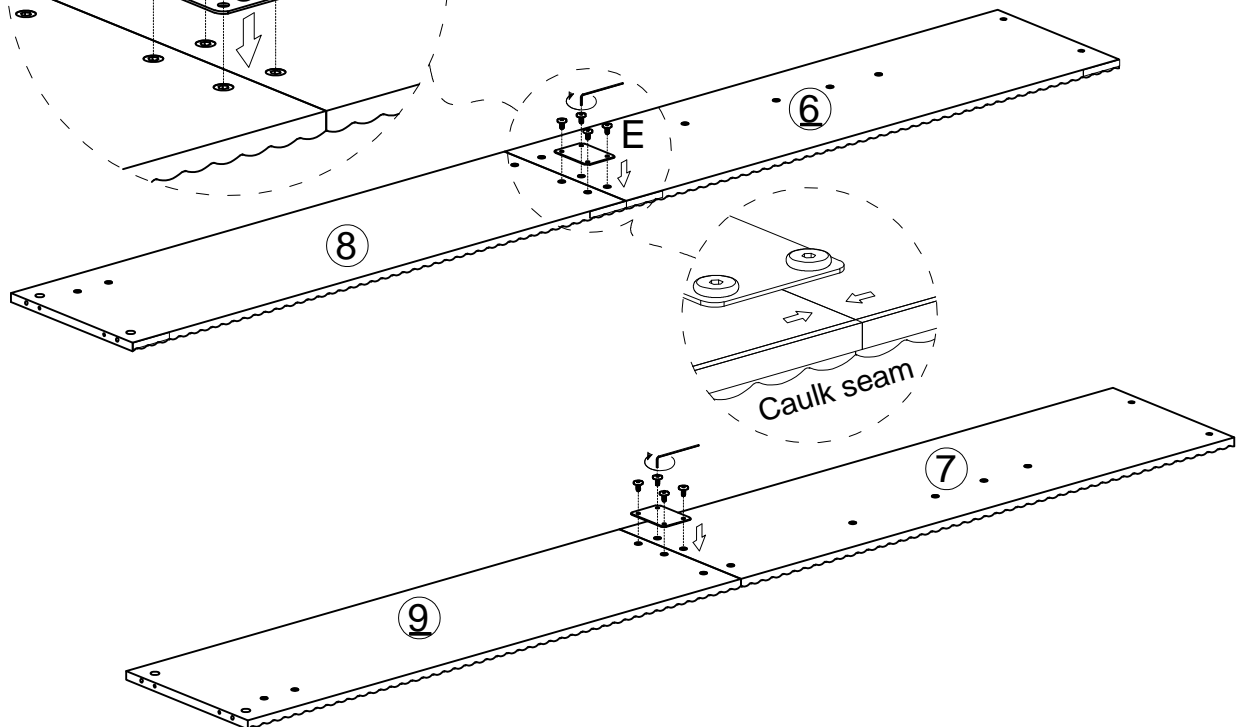
N	M
12 x 100	Ø6 x 30
	
X8	X8






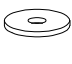

10

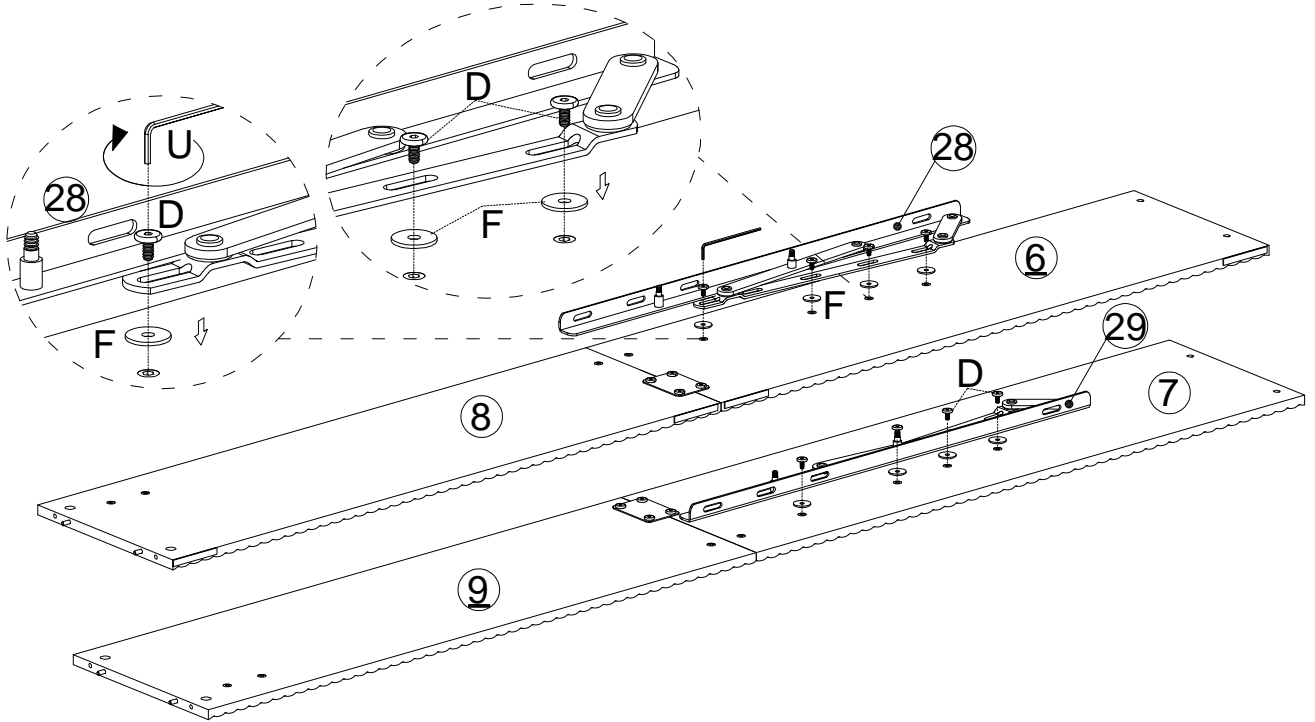


E	O	U
M6 x 12	84x60x1.5	M4
		
X8	X2	X1

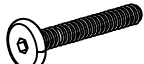
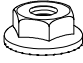




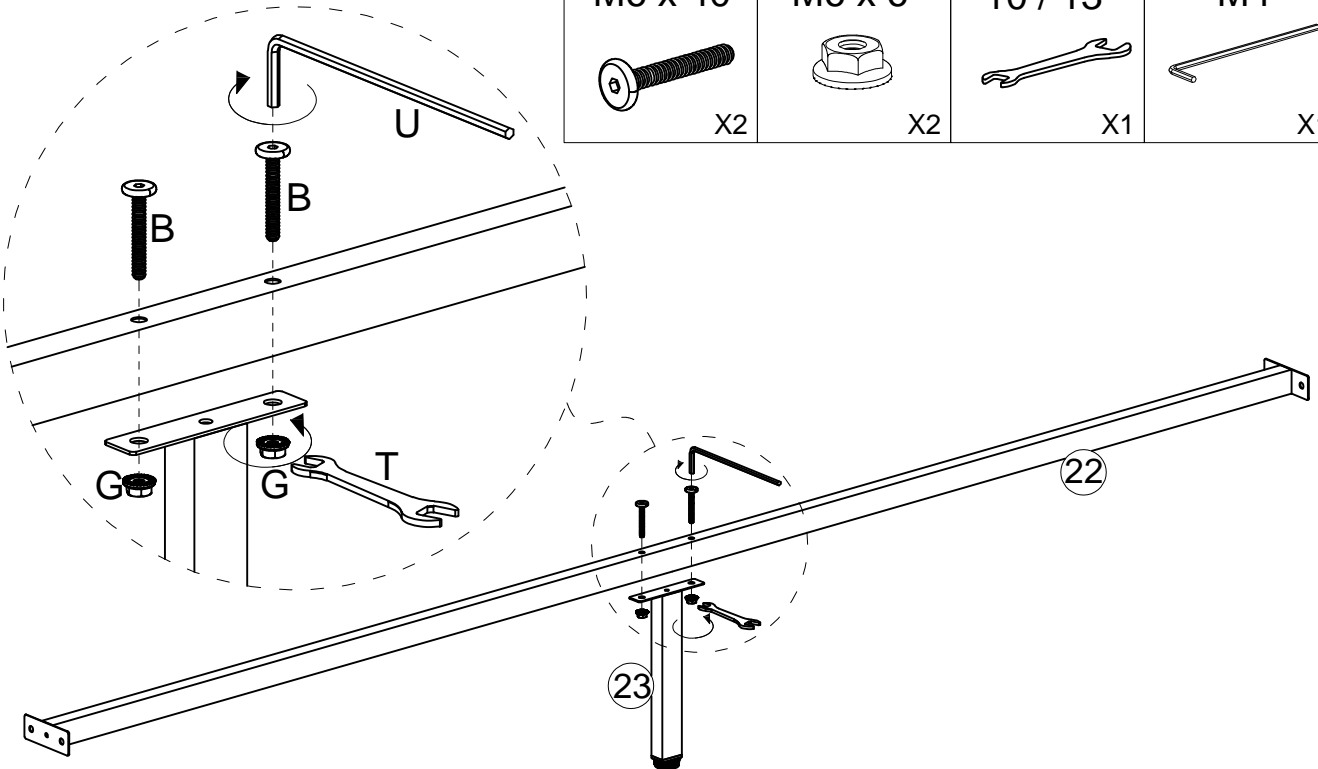
11

28	29	D	F	U
L750	L750	M6 x 18	Ø24 x 5	M4
				
X1	X1	X8	X8	X1





12

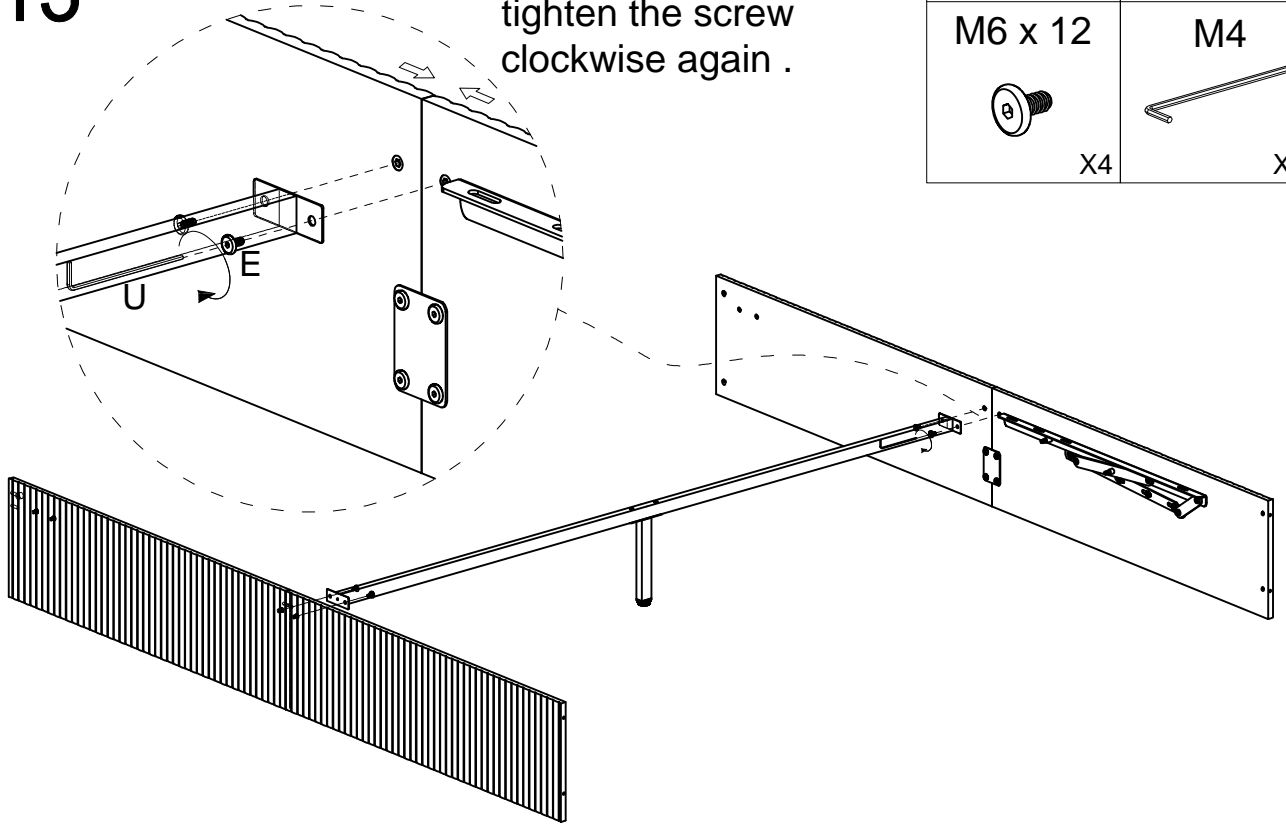
B	G	T	U
M6 x 40	M6 x 6	10 / 13	M4
			
X2	X2	X1	X1



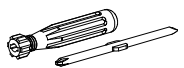

13

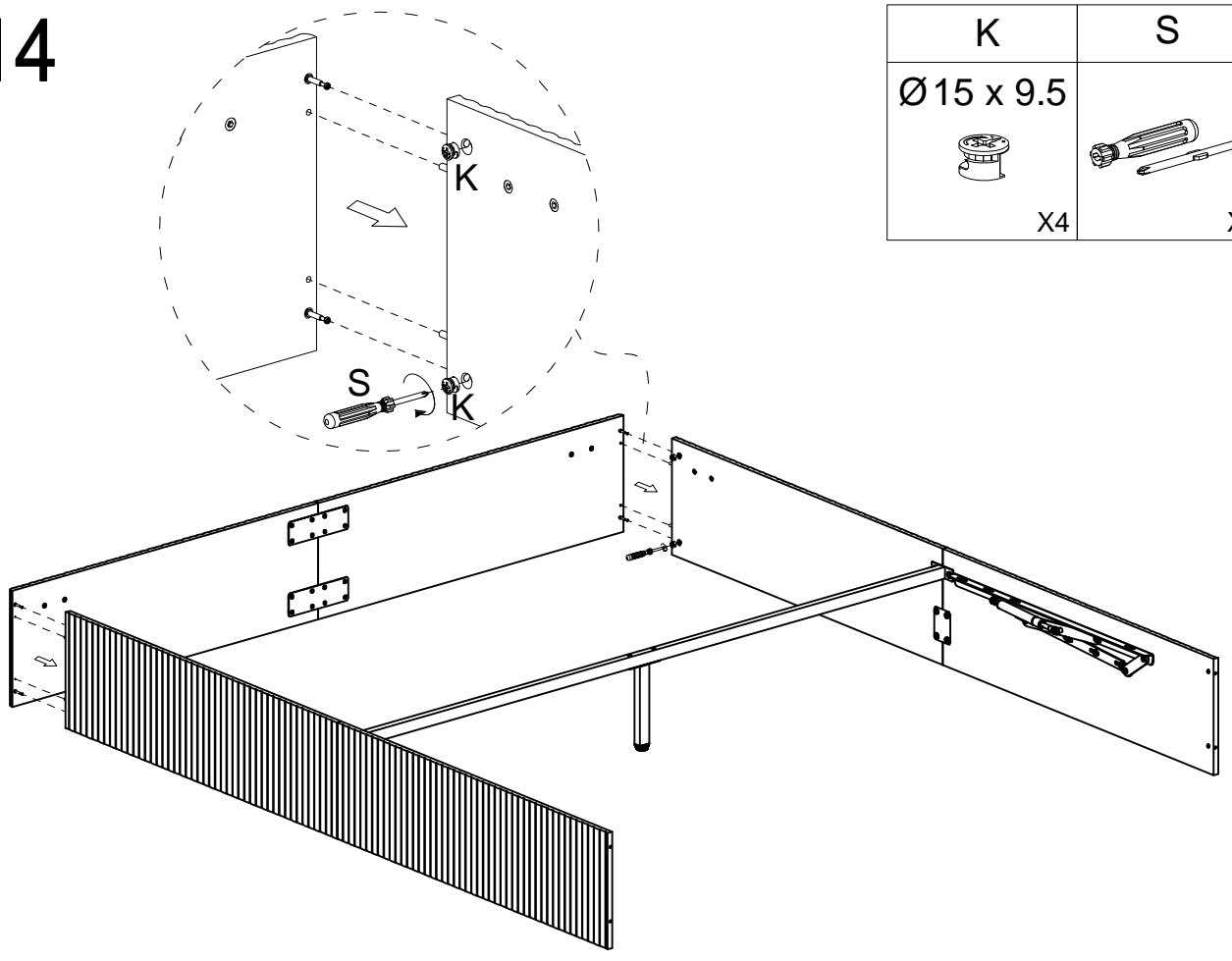
When joining closely ,
tighten the screw
clockwise again .

E	U
M6 x 12	M4
	
X4	X1






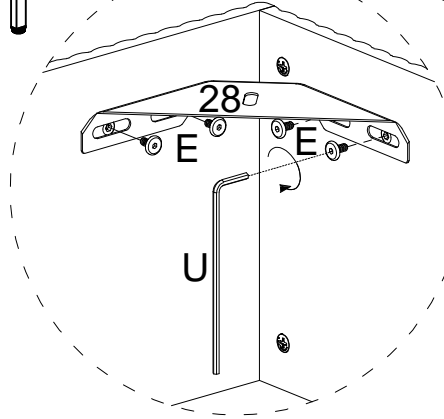
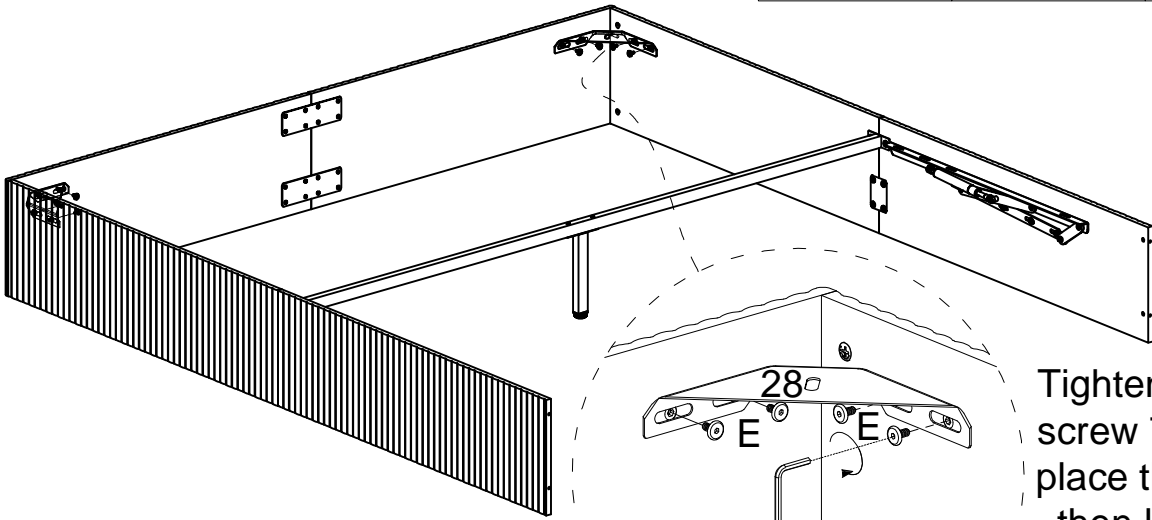
14

K	S
Ø15 x 9.5	
	X1
X4	







15

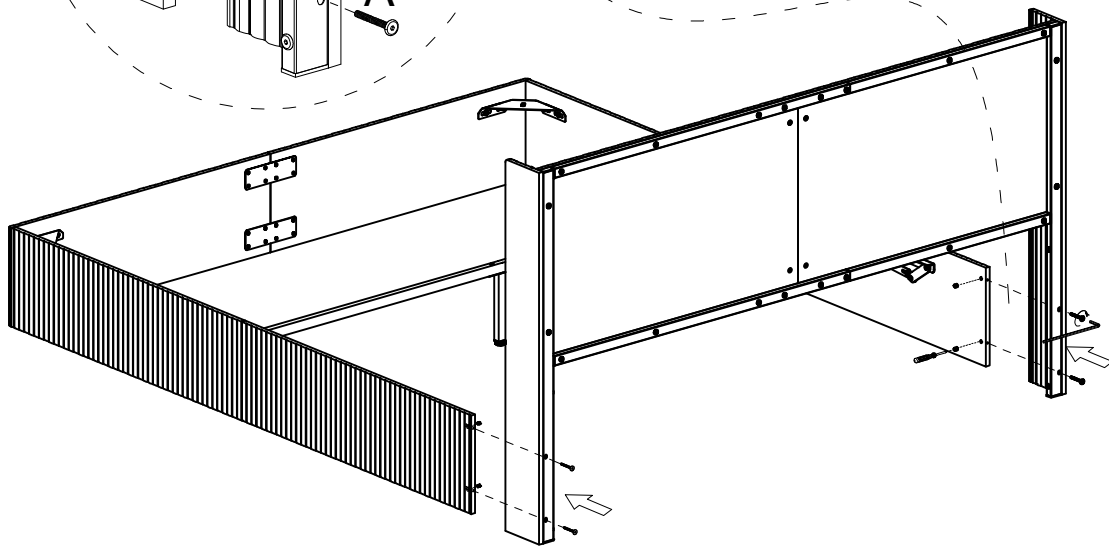
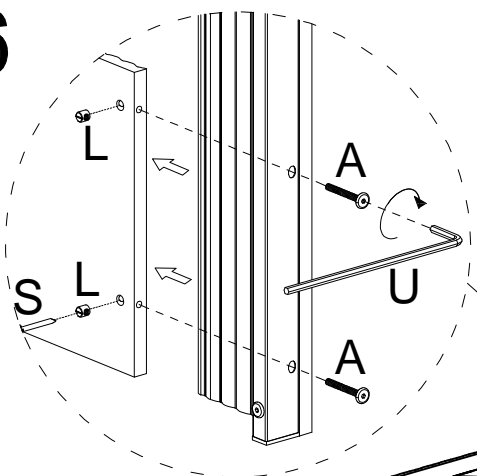
28	E	U
	M6 x 12 	
X2	X8	X1





Tighten the screw 70%, place the frame, then level it and tighten the screw to 100%.

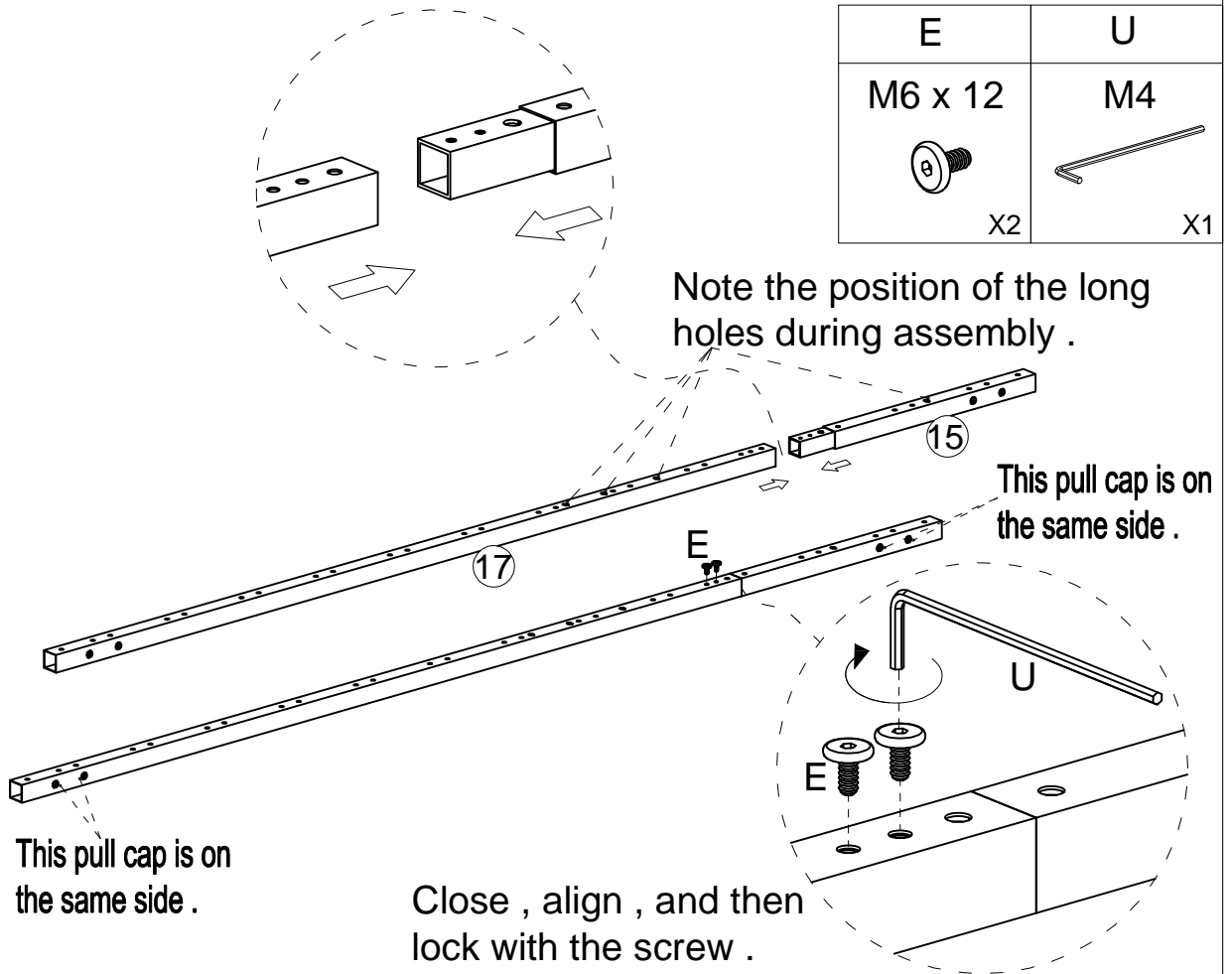
16

A	L	S	U
M6 x 50 	Ø9.8x10.5 		M4 
X4	X4	X1	X1





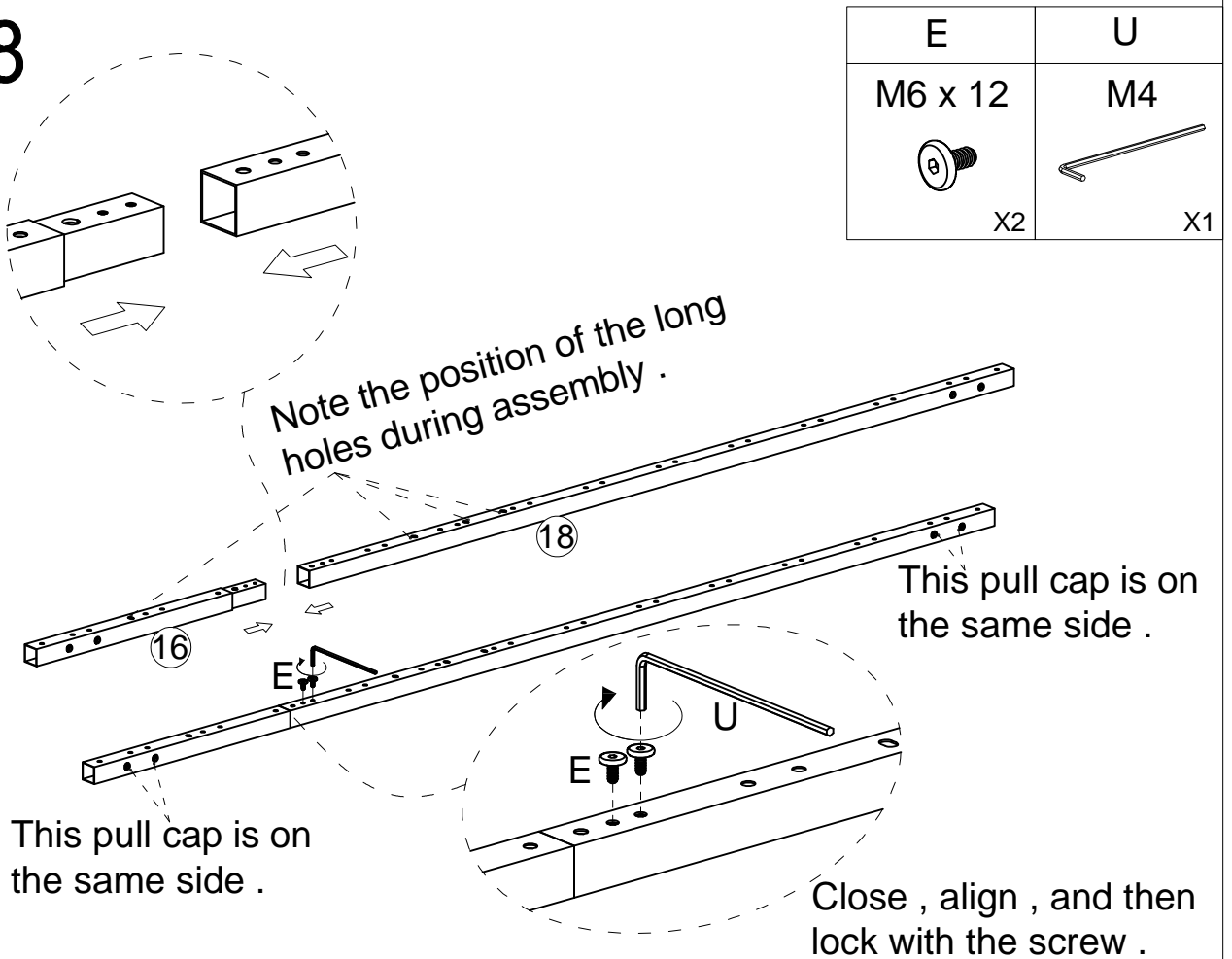
17

E	U
M6 x 12	M4
	
X2	X1





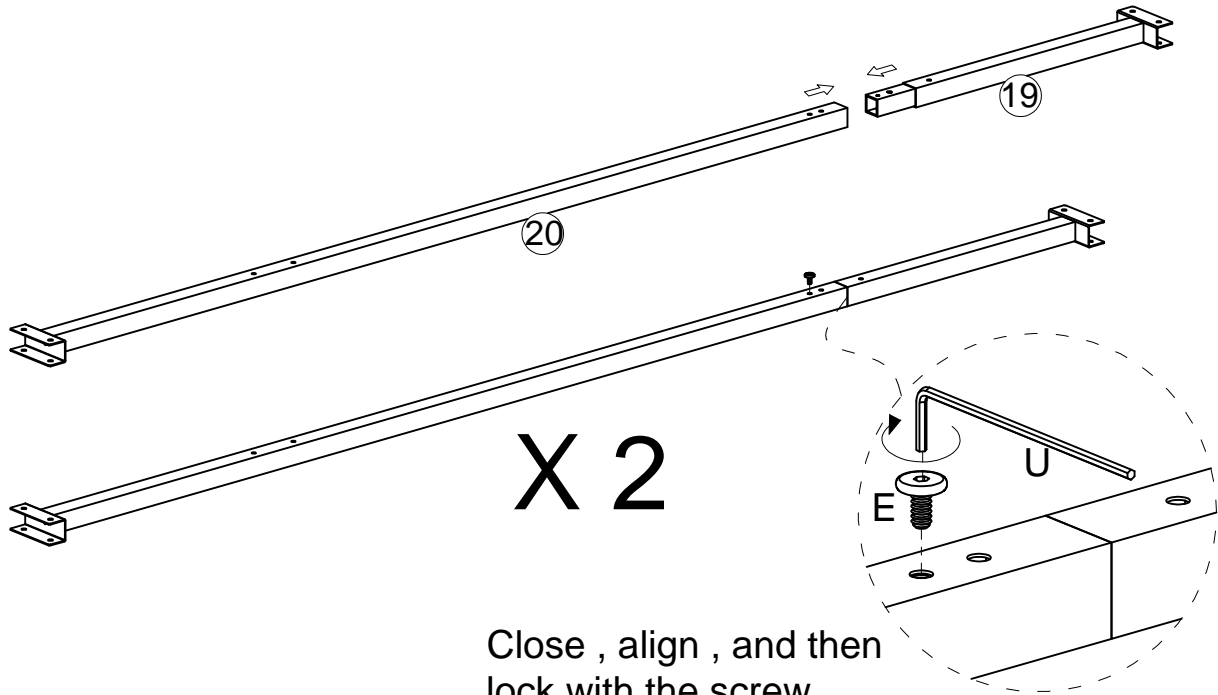
18

E	U
M6 x 12	M4
	
X2	X1



19

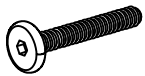



E	U
M6 x 12	M4
	
X2	X1

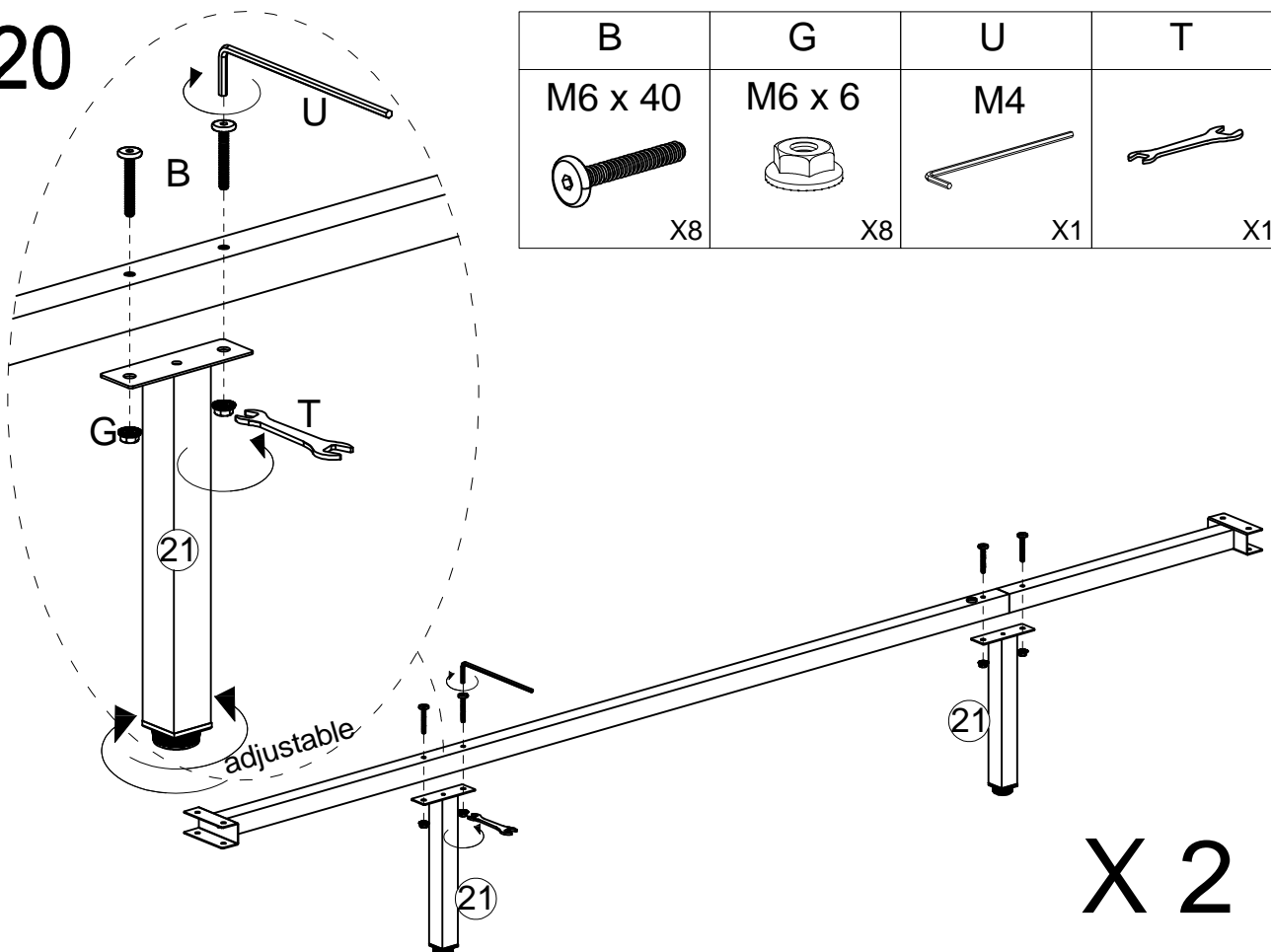


X 2

Close , align , and then lock with the screw .




20

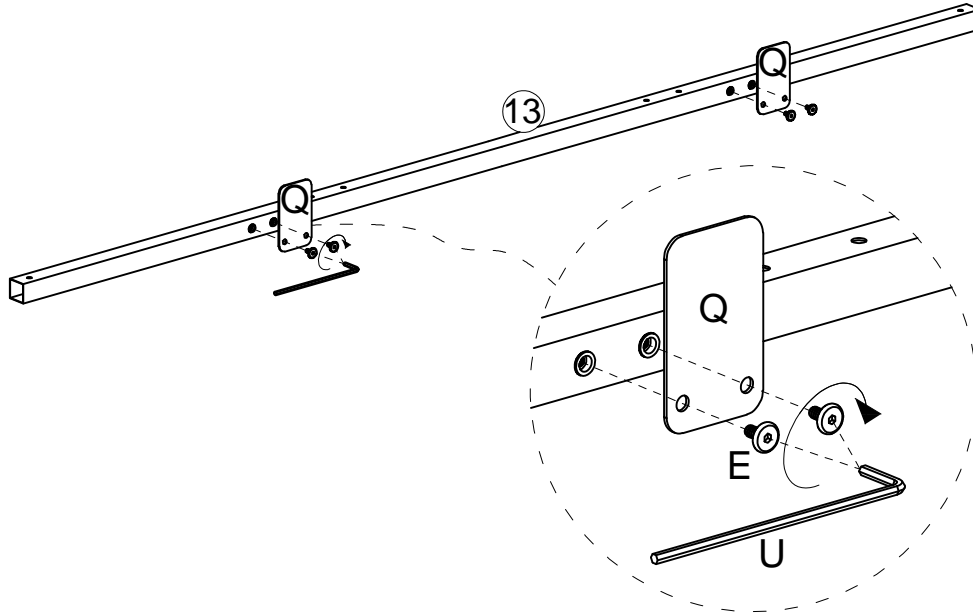
B	G	U	T
M6 x 40	M6 x 6	M4	
			
X8	X8	X1	X1






X 2

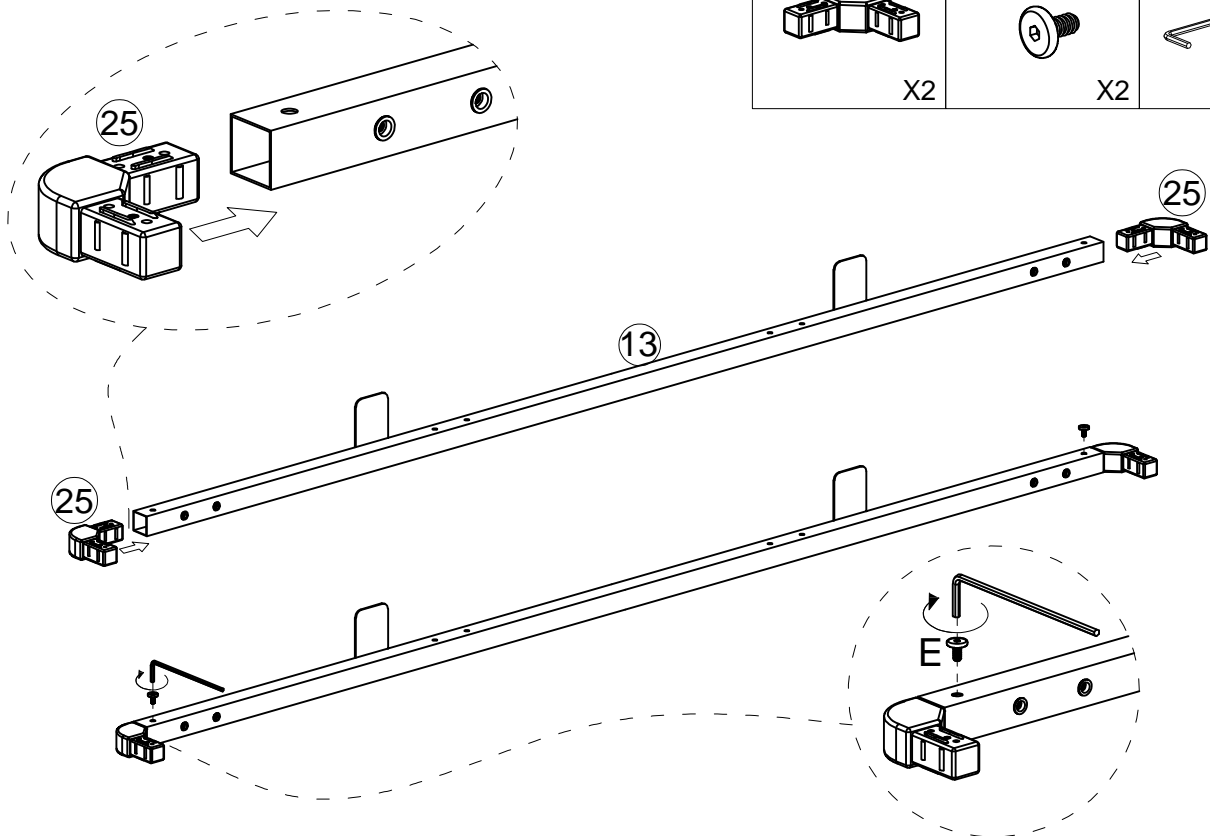
21

Q	E	U
100 x 60 x 2	M6 x 12	M4
		
X2	X4	X1






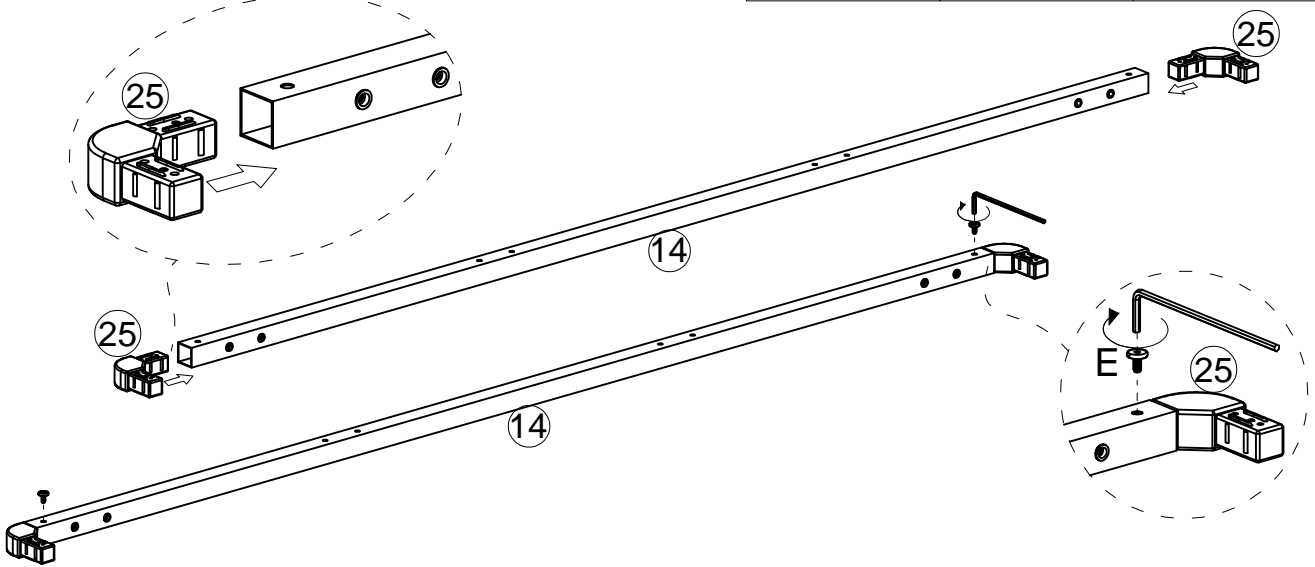
22

25	E	U
	M6 x 12	M4
		
X2	X2	X1



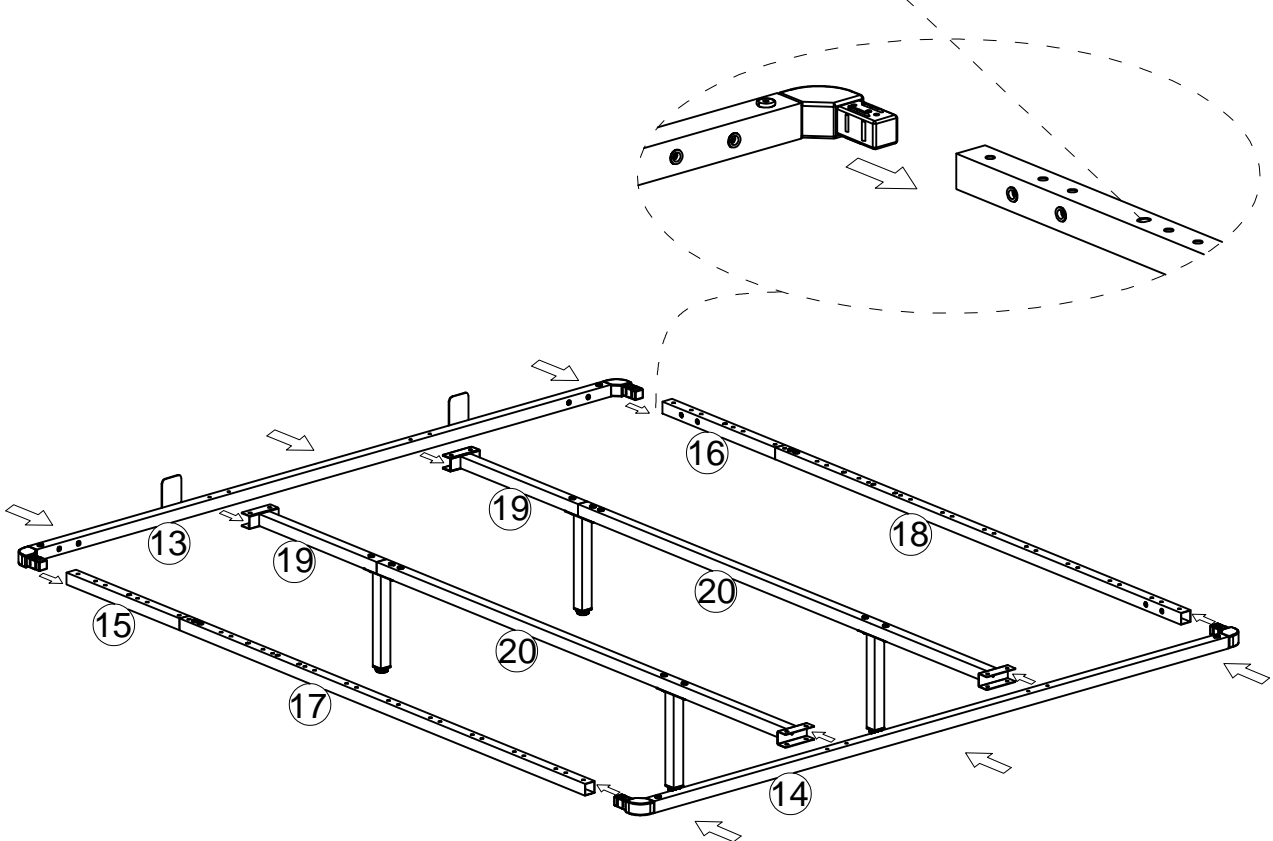
23

25	E	U
	M6 x 12 	M4 
X2	X2	X1


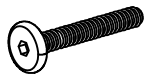

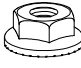



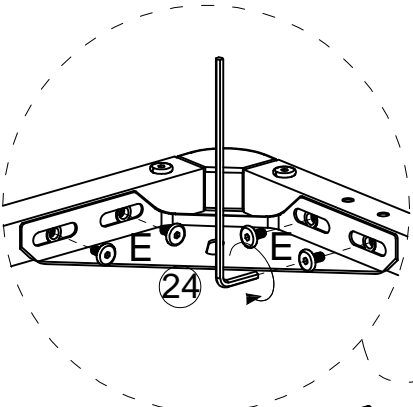
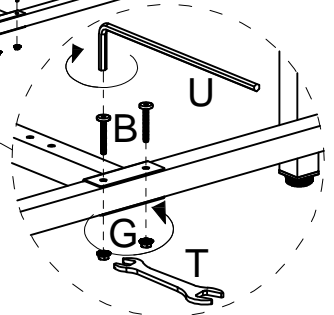
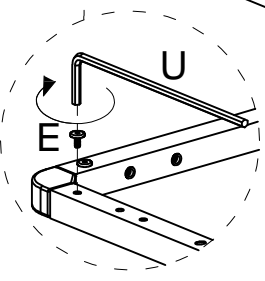
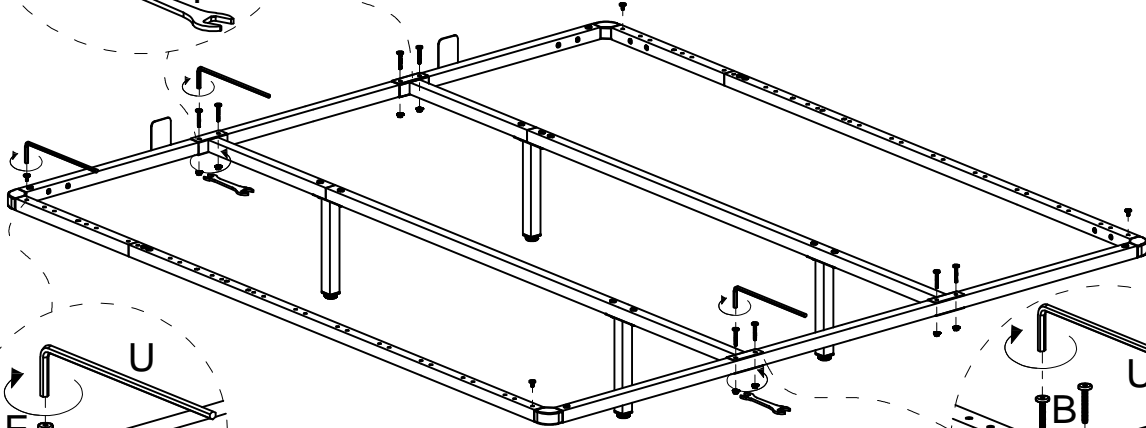
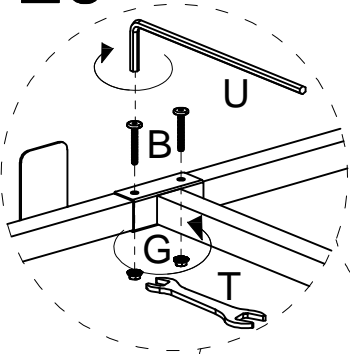
24

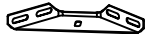


The long hole points forward

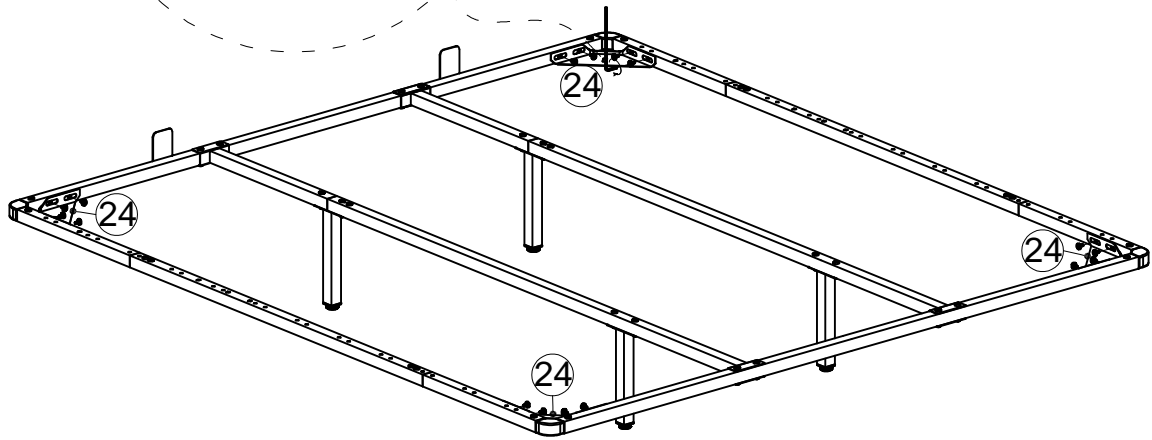


26


B	E	G	T	U
M6 x 40	M6 x 12	M6 x 6		M4
				
X8	X4	X8	X1	X1

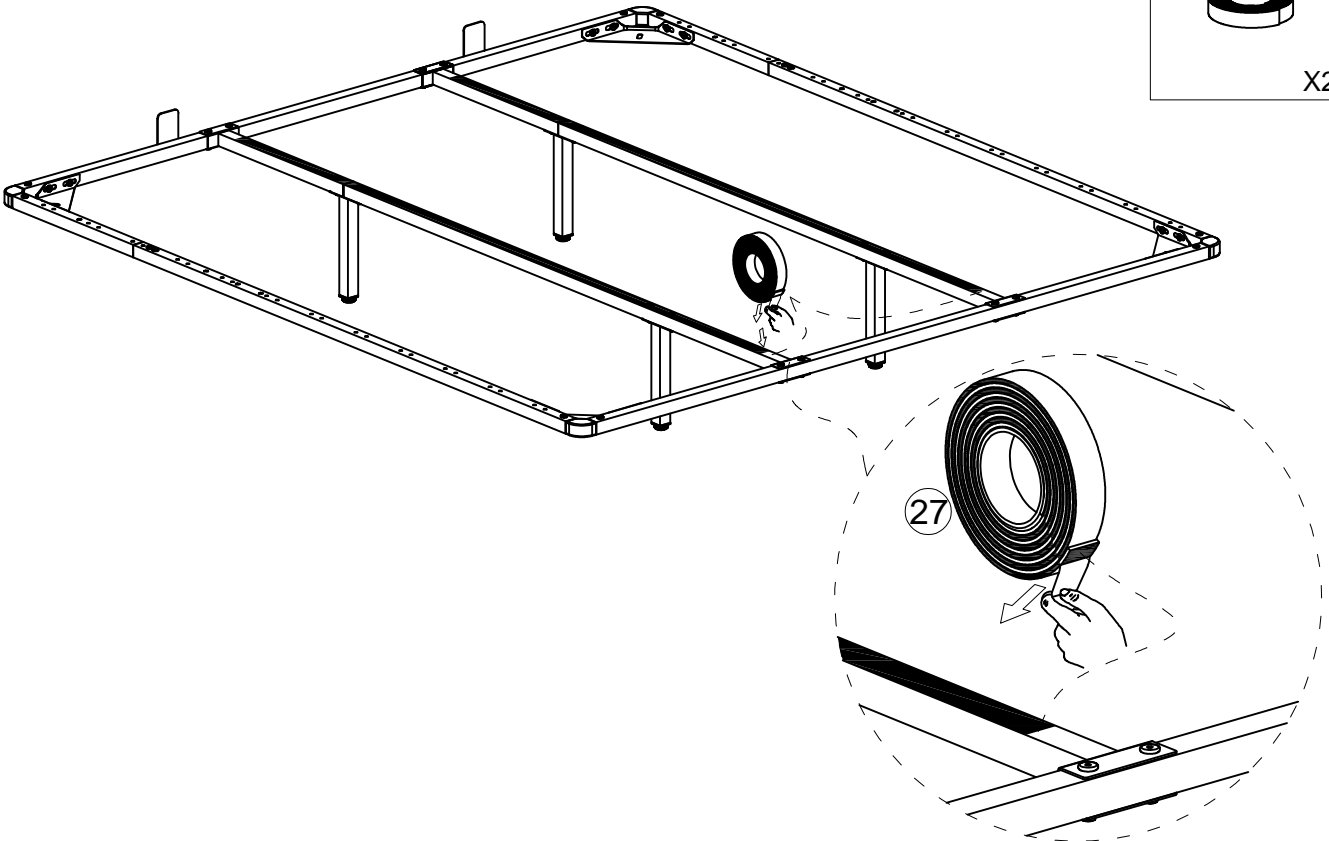


24	E	U
	M6 x 12	M4
		
X4	X16	X1

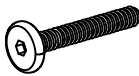





27

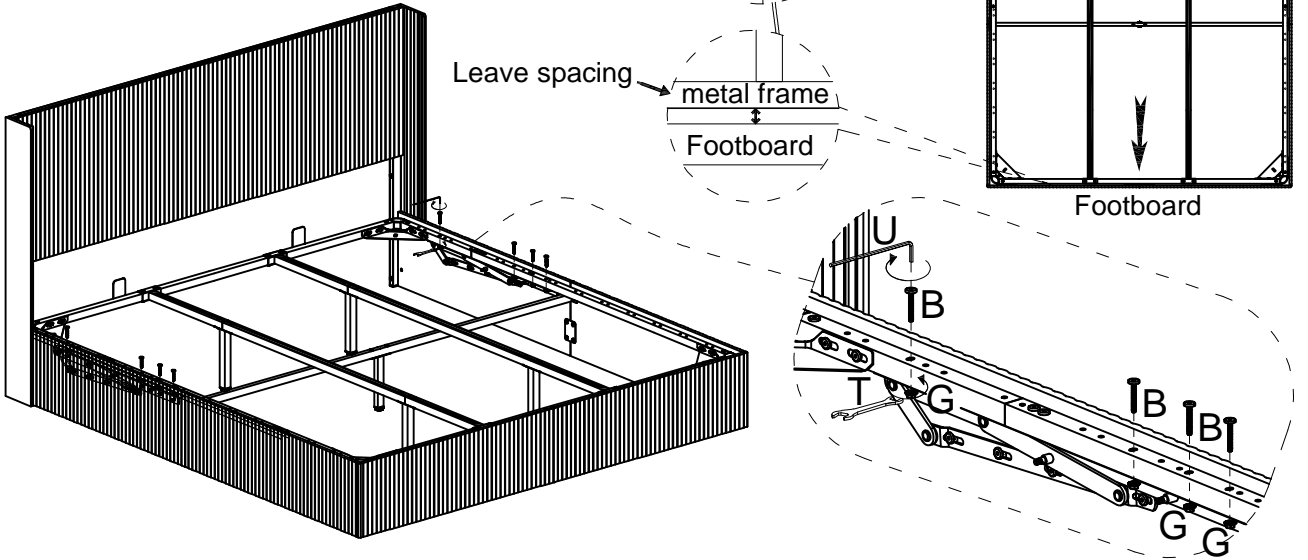
27

X2




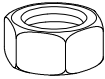

28

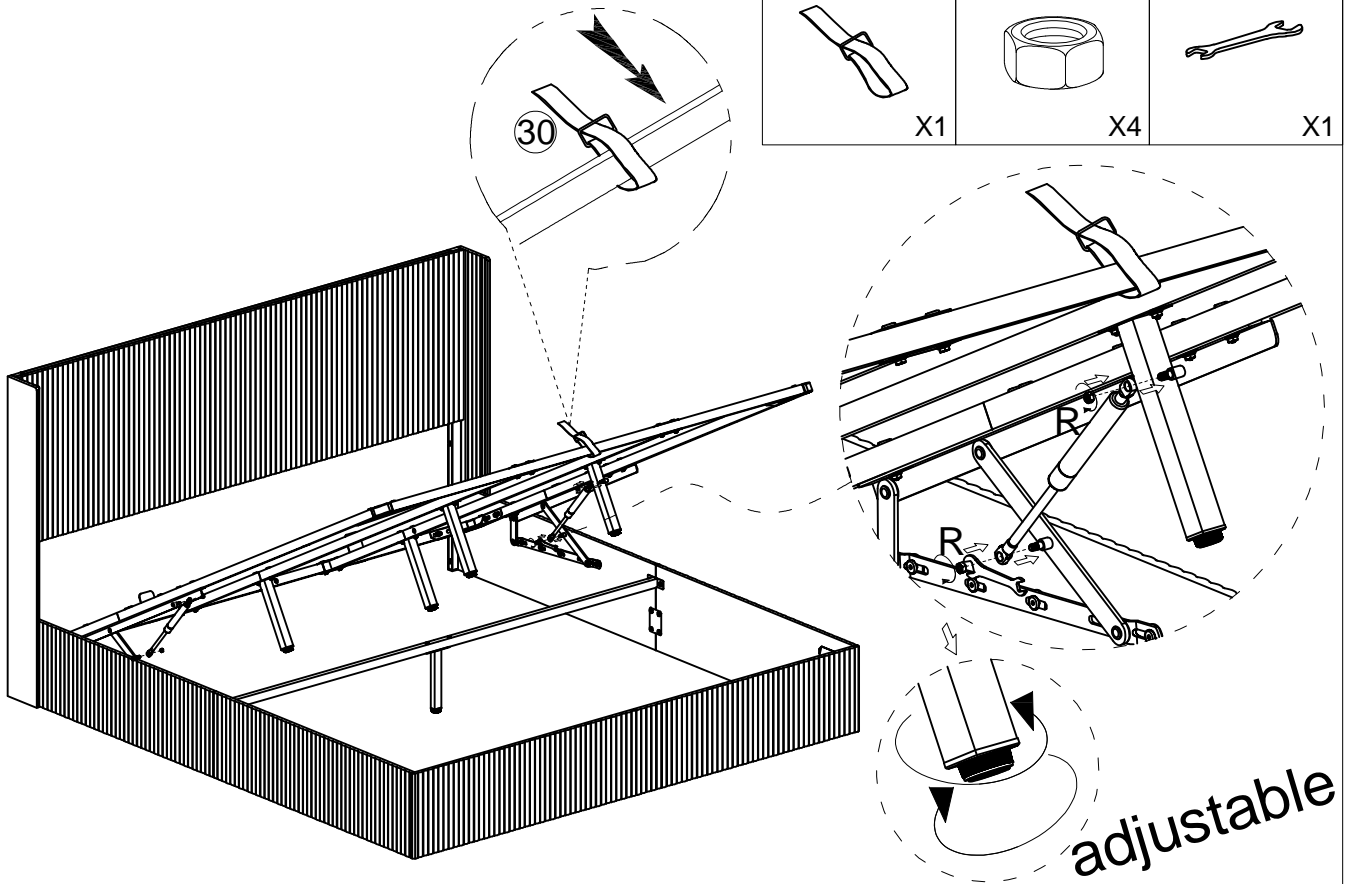
B	G	U	T
M6 x 40	M6 x 6	M4	
			
X8	X8	X1	X1

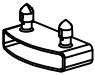
Place the frame in the center position, lock the screw and nut to 70%, adjust the clearance on the left, right, front and back, and then lock it to 100%

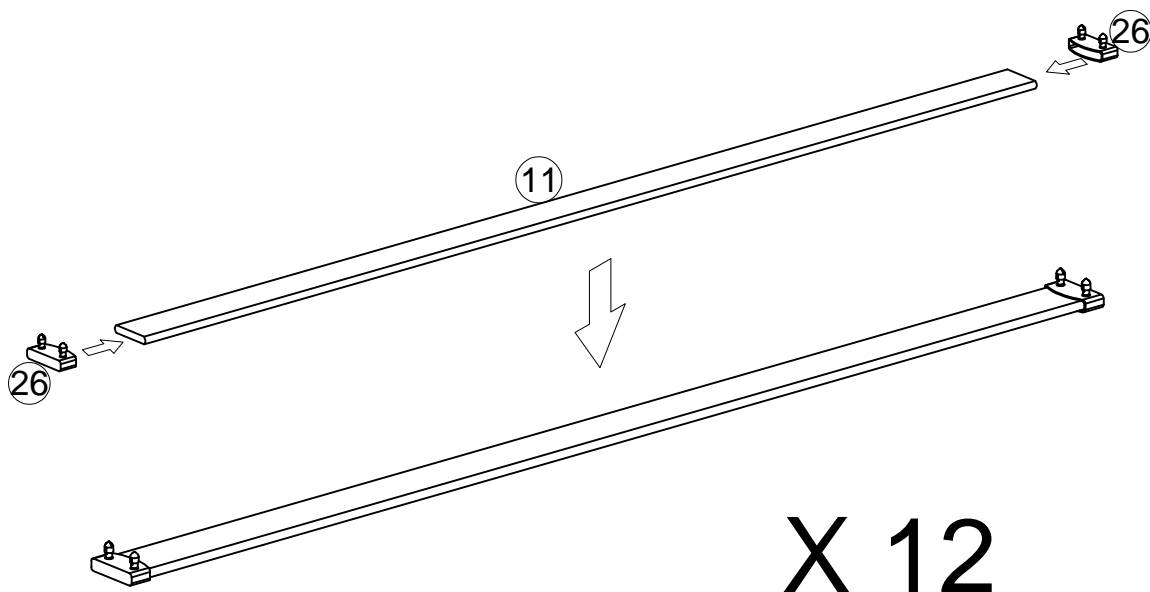


29

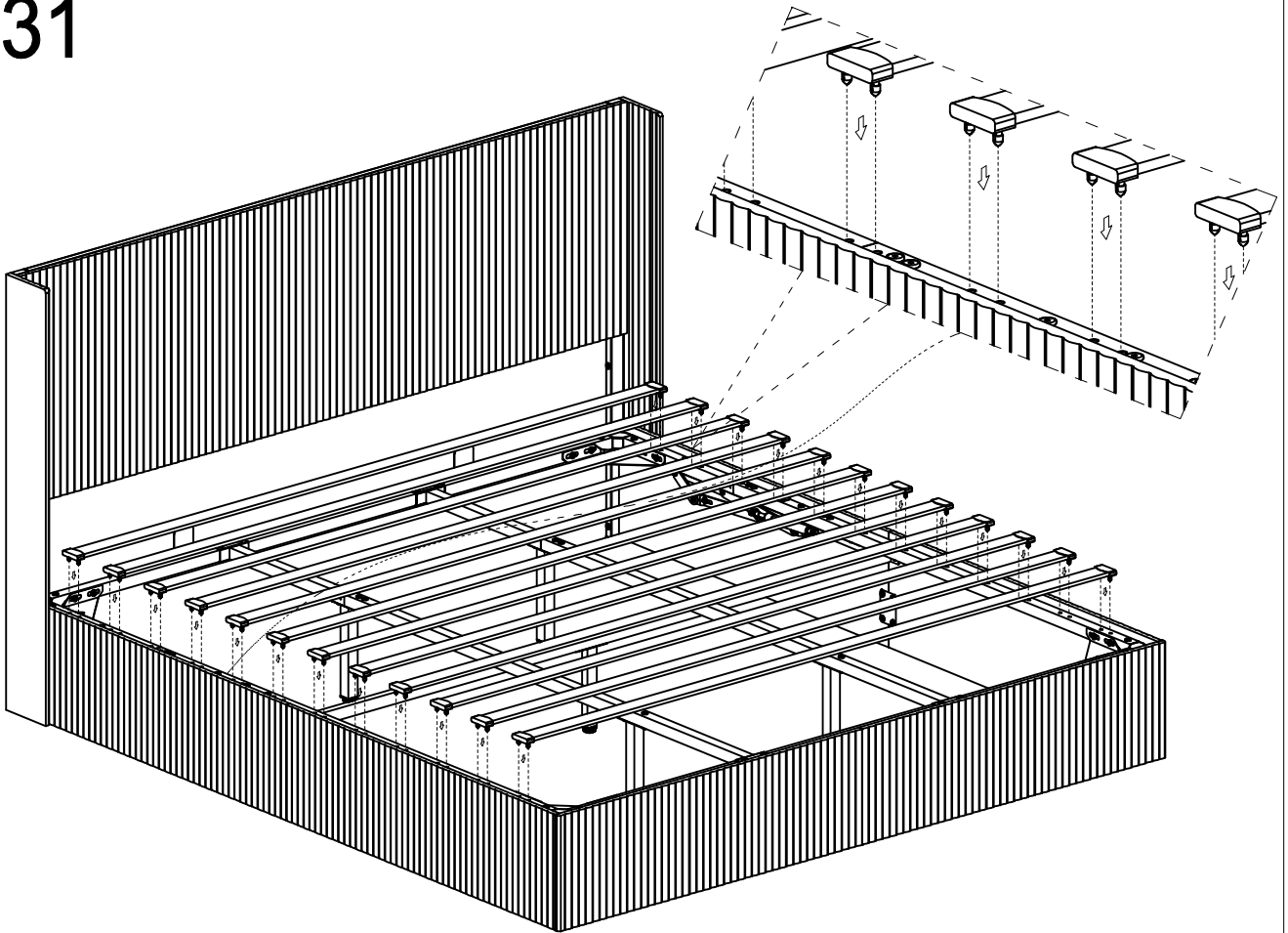
30	R	T
		
X1	X4	X1



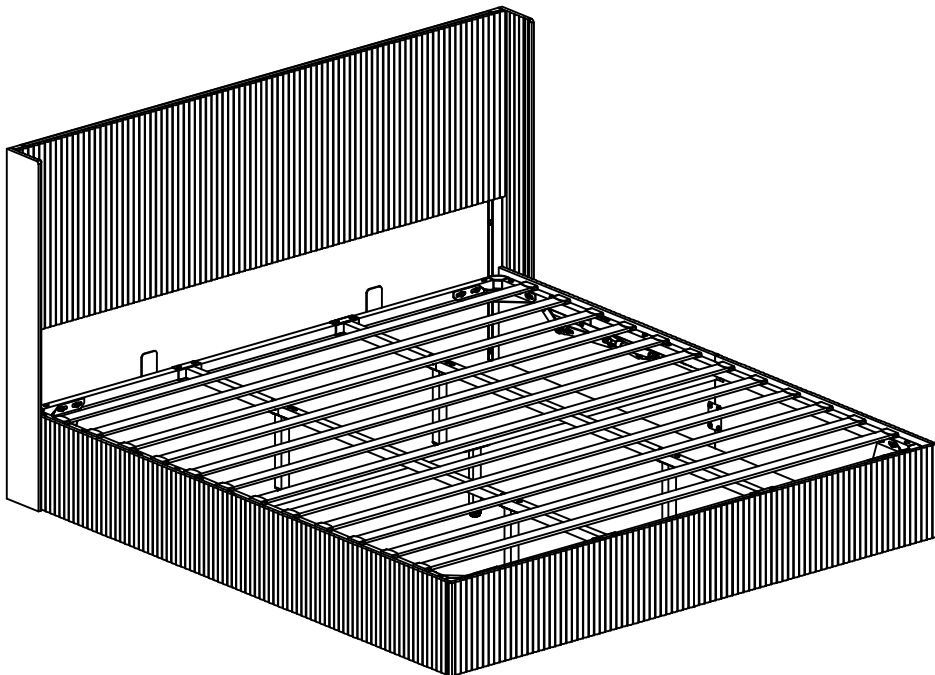
26

X24



31



32



Note : When adjusting , clockwise rotation means locking , and counterclockwise rotation means loosening .

After - sales service: 592204677@qq.com