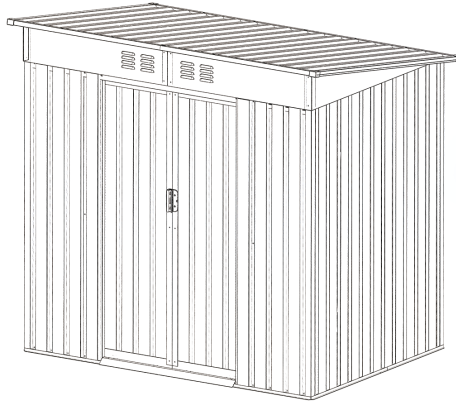


Metal Garden Shed

OWNER'S MANUAL

Size 6 Ft X 4 Ft



Tall walk in Shed

Quick & Easy Assembly

Ridge Reinforced walls

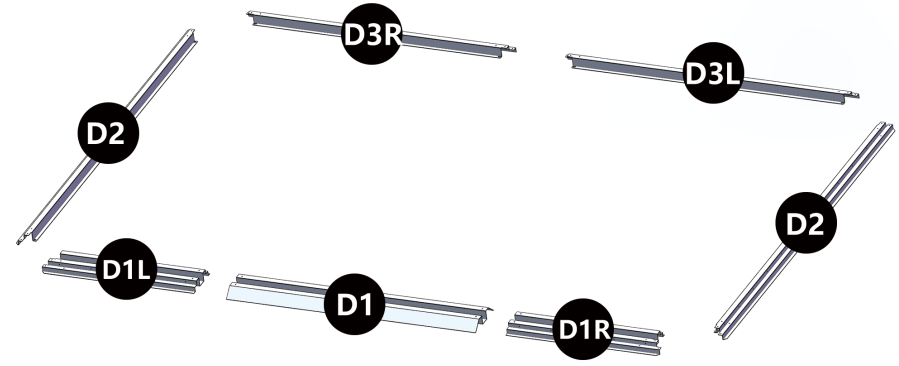
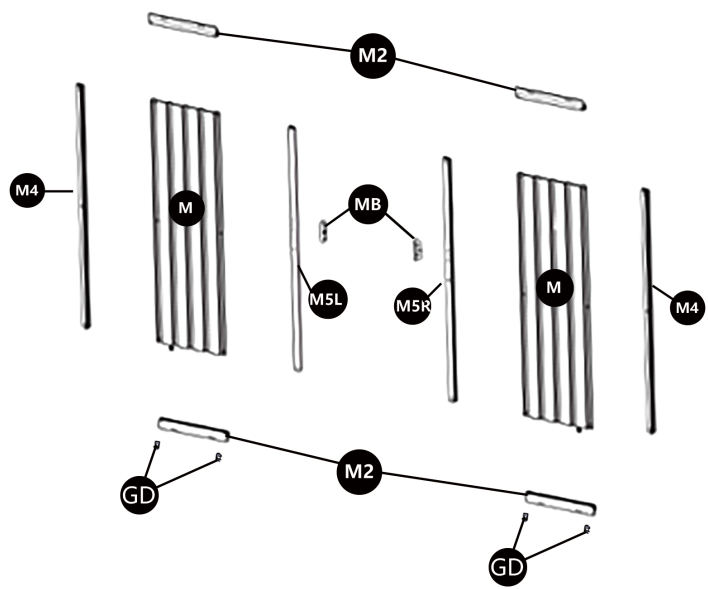
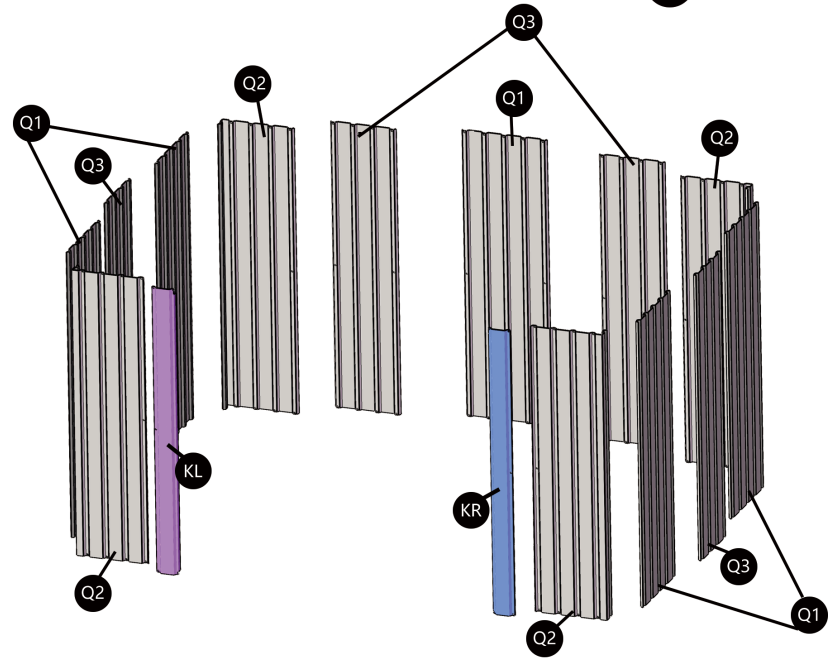
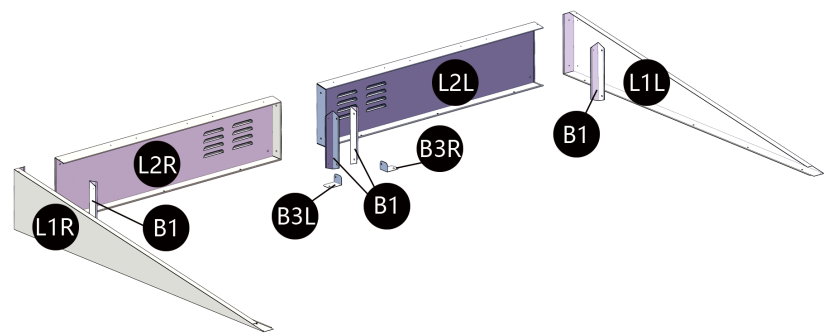
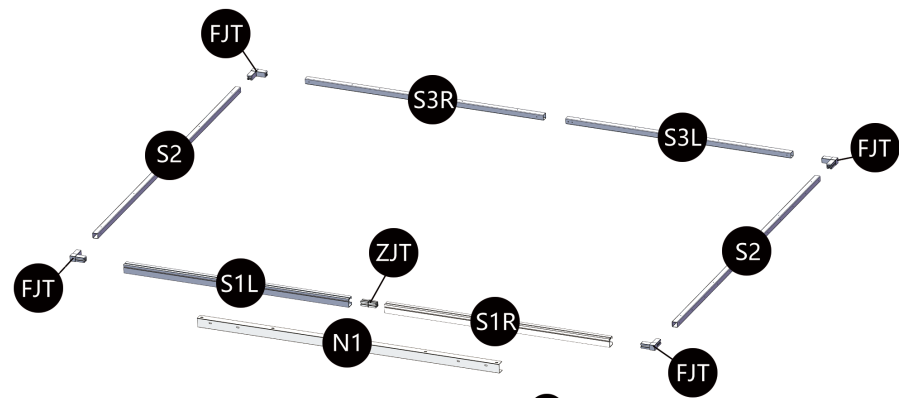
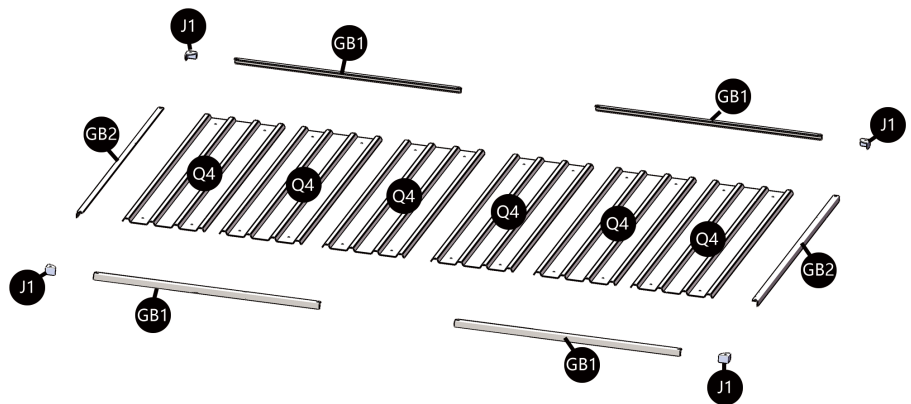
Wide Double Doors

Available in Various Sizes

Take care of sharp edges;

Please wear gloves;

It will take 2 people 3 - 4 hours to install.



PARTS LIST

NO.	PART	QTY
D1		1
D1L		1
D1R		1
D2		2
D3L		1
D3R		1
S1R		1
S1L		1
S2		2
S3L		1
S3R		1
N1		1
KL		1
KR		1
L1L		1
L1R		1

NO.	PART	QTY
L2L		1
L2R		1
B1		4
GB1		4
GB2		2
M2		4
M3		4
M4		2
M5L		1
M5R		1
Q1		5
Q2		4
Q3		4
Q4		6
M		2
J1		4

NO.	PART	QTY
B3L		1
B3R		1
MB		2
FJT		4
ZJT		1
G2		4
GD		4
F1		200
F3		10
F4		12
F8		7
F11		14

PARTS LIST

NO.	PART	QTY
LSM		25
F14		200

Install LSM at screw exposure, Prevent collisions.

This component is only compatible with F1, F3, and F11. It is located in the external tool room and is easy to seal and waterproof.

Warning & Attention:

-Take care of sharp edges; Please wear gloves;

-You are advised to read the whole procedure before installing it;

-Try to assemble this product on the flat ground, otherwise it is difficult to carry out;

-It would be much easier to assemble the product with three or more people;

-All panels are clearly marked and care should be taken to use the correct one. It is important that these instructions are followed step by step.

Each screw has a surplus quantity, which can be used in reserve

-After assembly, please check whether all screws are tightened, to prevent parts from falling apart.

Tools:



Gloves



Ladder



Electric drill



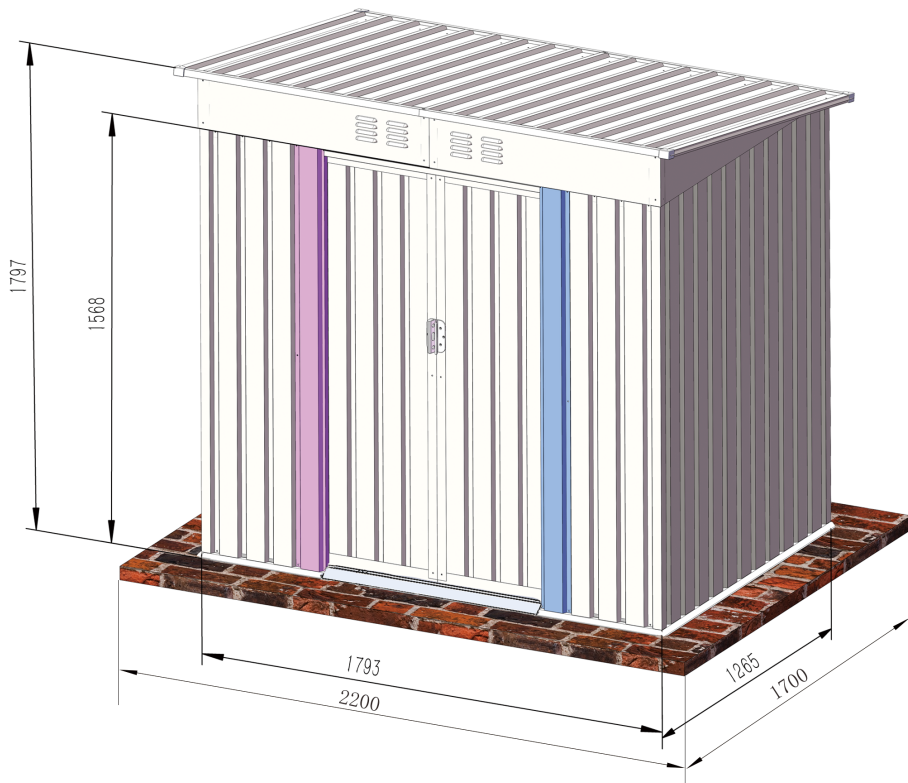
Phillips screwdriver



Safety Helmet Hat



goggles



Note: Take care of sharp edges.

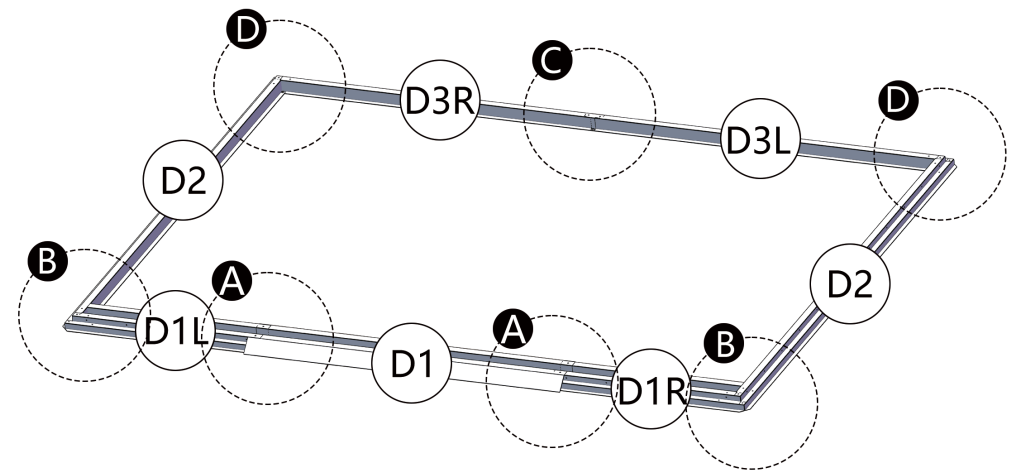
All panels are clearly marked and care should be taken to use the correct one. It is important that these instructions are followed step by step.

NO.	PART	Qty.
D1		1
D1R		1
D1L		1

NO.	PART	Qty.
D2		2
D3R		1
D3L		1

NO.	PART	Qty.
F1		12

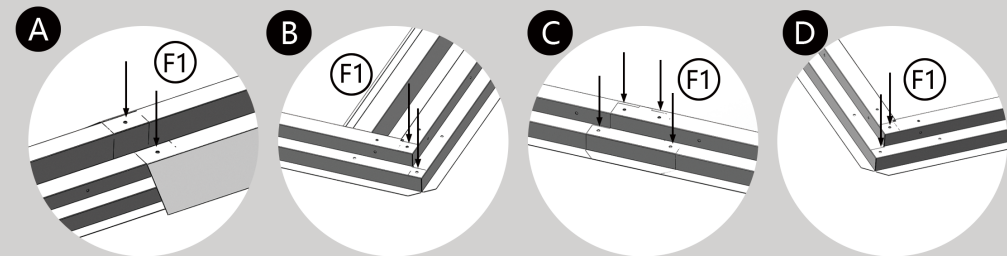
Tip: All screws installed on the exterior should be fitted with F14, and this will not be repeated in the following steps.



Assemble the accessories according to the positions shown in the diagram, align the holes, and then use F1 to secure steps A, B, C, and D.



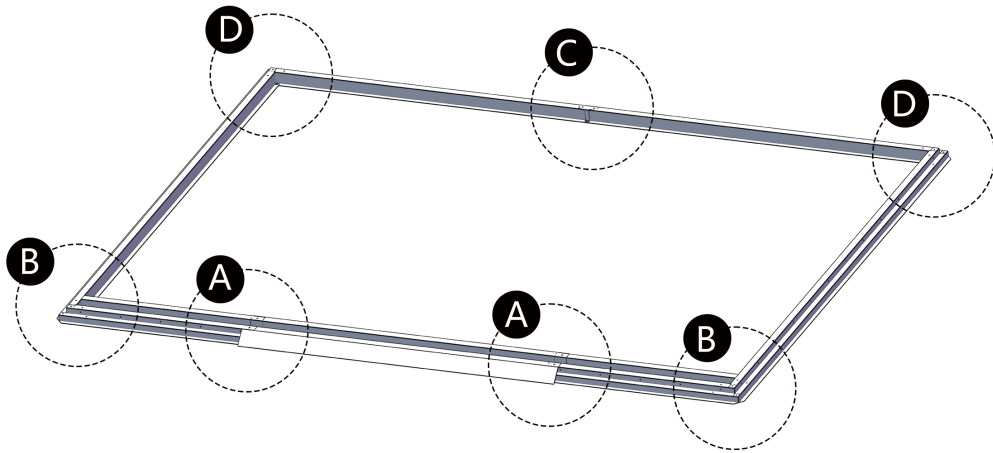
The installation space should be flat, and at least 2200x1700mm. The foundation is fixed on the ground in this space.



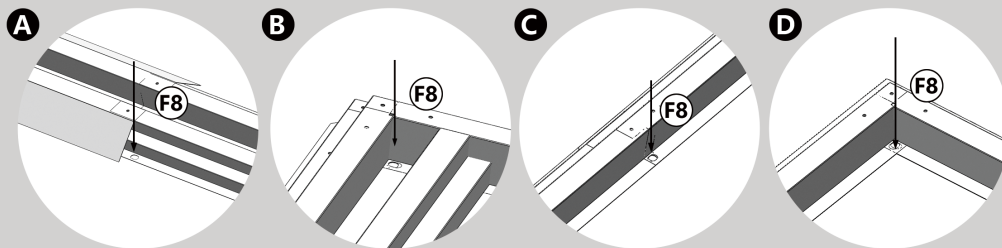


Note: Please wear gloves

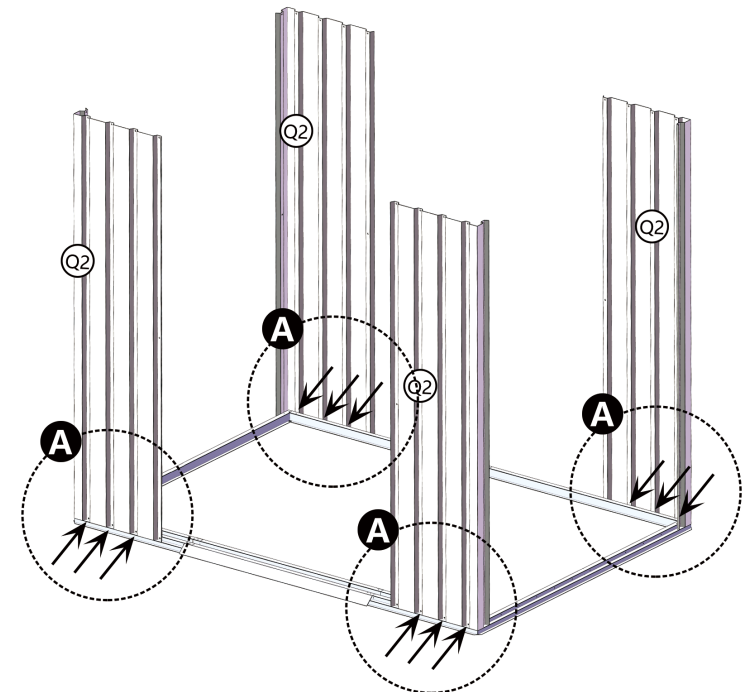
NO.	PART	Qty.
F8		7



After securing the foundation frame, if the ground is soil, use F8 to fix the holes at steps A, B, C, and D.

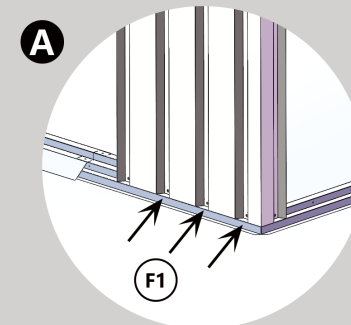









NO.	PART	Qty.
Q2		4
F1		12

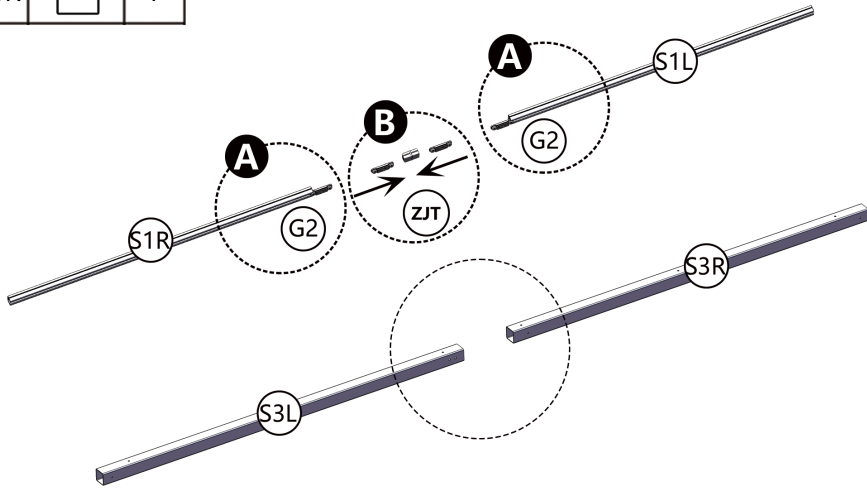


Notice:

In this step, only the three holes in the middle of Q2 need to be installed and reserved on both sides. The reserved holes are shared with the following steps.

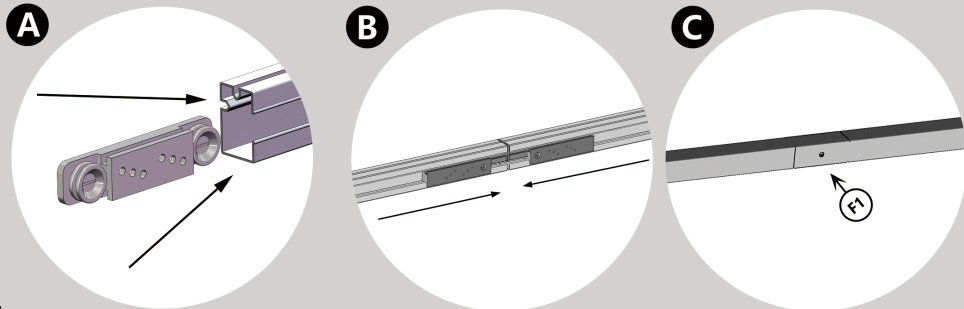








NO.	PART	Qty.	NO.	PART	Qty.
S1R		1	G2		4
S1L		1	F1		1
S3L		1	ZJT		1
S3R		1			

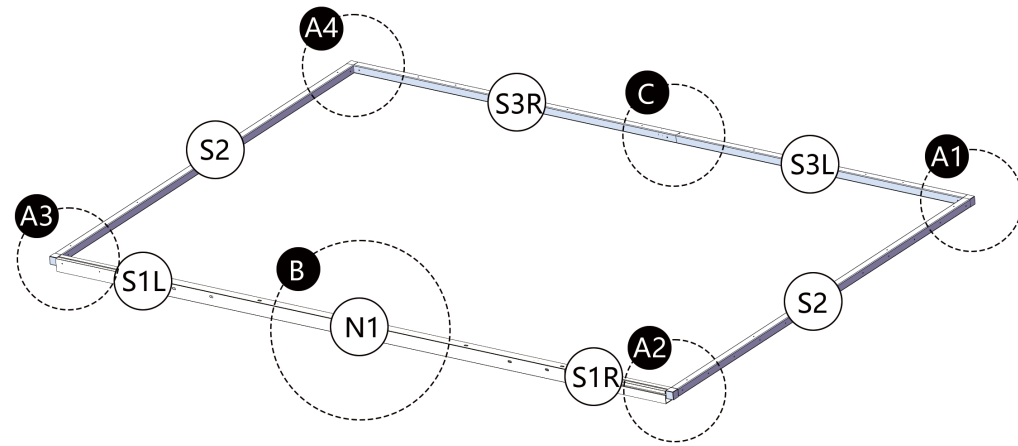
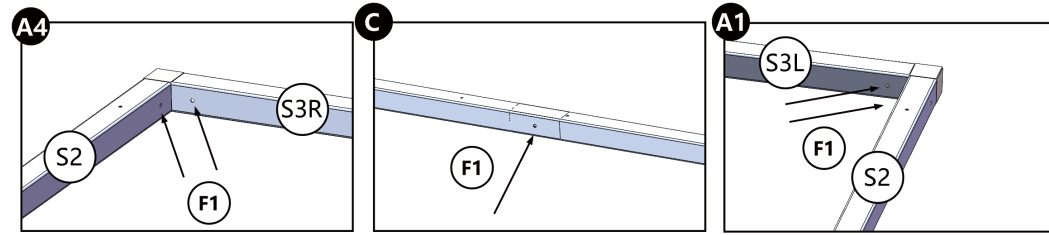


Notice:

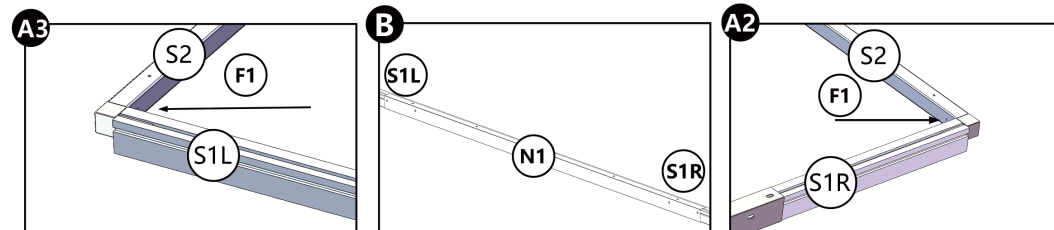
G2 has been placed in the S1R and S1L positions prior to shipment. If it slides out, reinsert it following step A. Connect S1L and S1R via ZJT. After connecting S3L and S3R, secure them with F1.




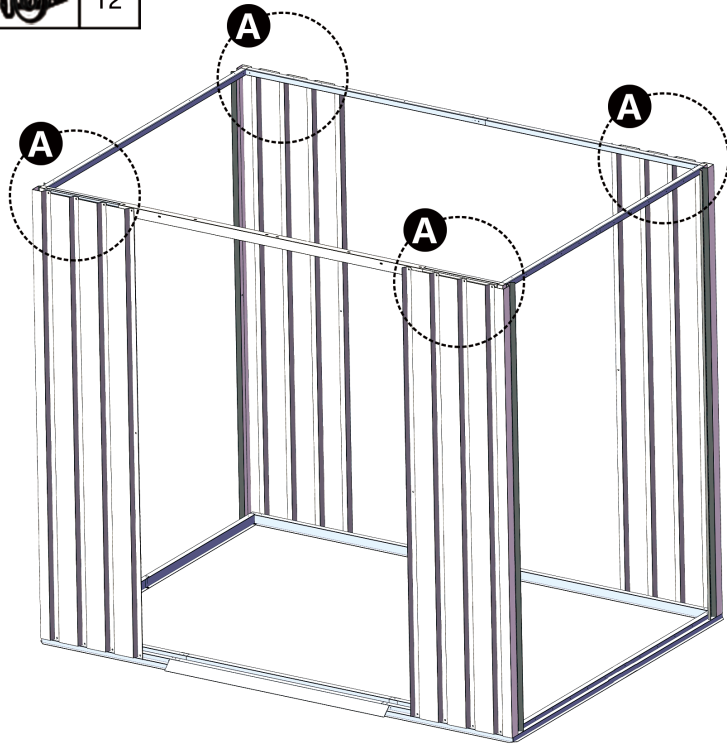
NO.	PART	Qty.	NO.	PART	Qty.	NO.	PART	Qty.
S2		2	S3R		1	FJT		4
S3L		1	N1		1	F1		7





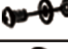

Assemble the frame according to the positions shown in the diagram, and use F1 to secure the indicated locations. Then, place N1 between S1L and S1R.

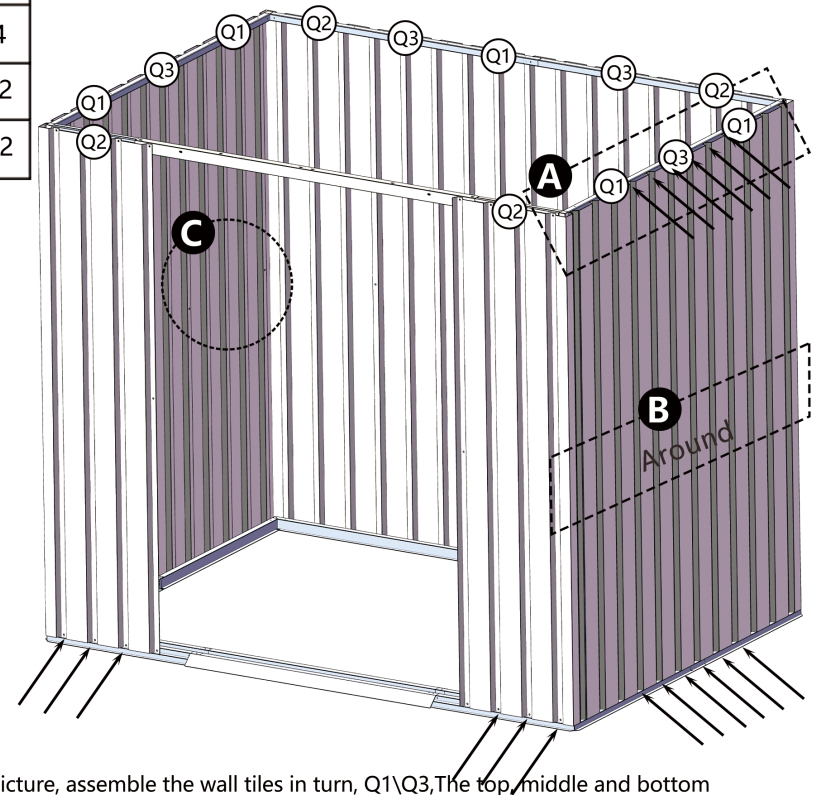


NO.	PART	Qty.
F1		12

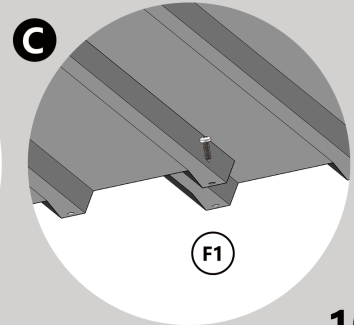
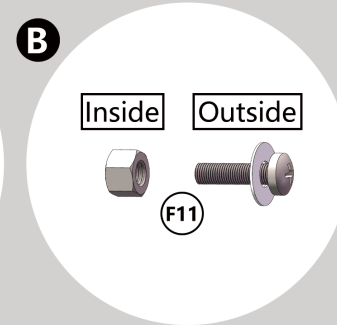
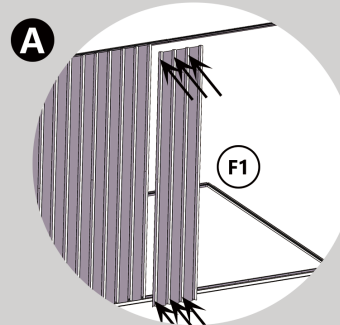
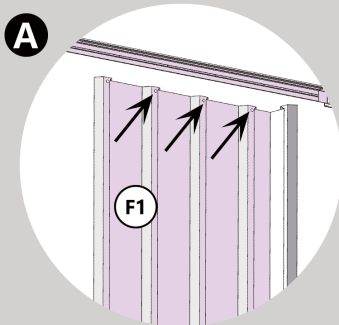






Notice:
 In this step, only the middle three holes need to be installed, and both sides need to be reserved.
 The reserved hole is shared with other steps.
 The walls are tiled on the outside and framed on the inside.

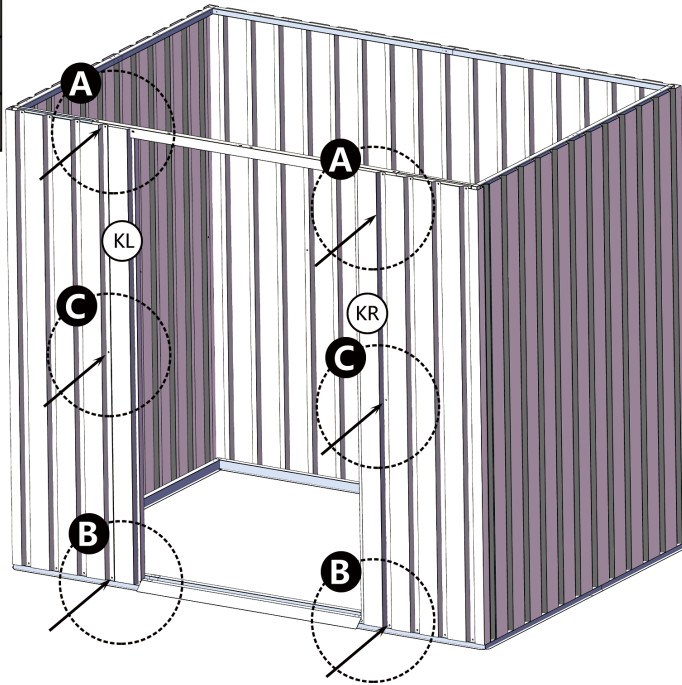
NO.	PART	Qty.
Q1		5
Q3		4
F11		12
F1		82



Notice:
 As shown in the picture, assemble the wall tiles in turn, Q1\Q3, The top, middle and bottom of the wall tiles need to be screwed.
 The upper and lower ends are fixed with F1, and the middle is fixed with F11.



NO.	PART	Qty.
KL		1
KR		1
F1		8
F11		2

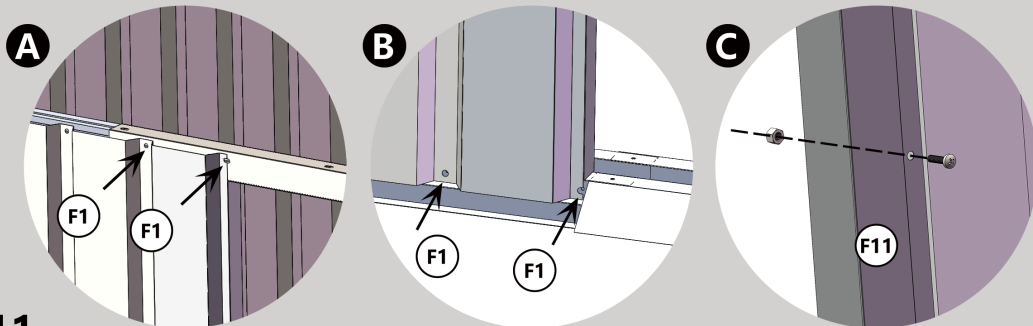


Notice:






As shown in the picture, the steps of door frame and wall tile installation are the same.





The upper, middle and lower parts of KR and KL need screws.

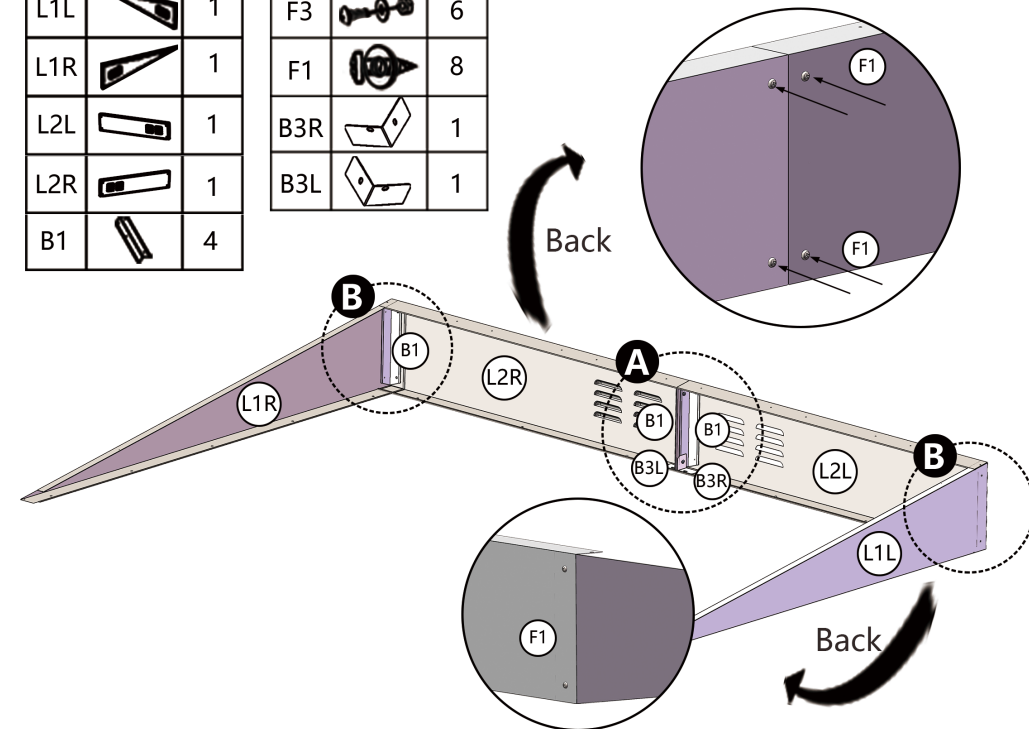
The upper and lower ends are fixed with F1, and the middle is fixed with F11.



11

NO.	PART	Qty.
L1L		1
L1R		1
L2L		1
L2R		1
B1		4

NO.	PART	Qty.
F3		6
F1		8
B3R		1
B3L		1

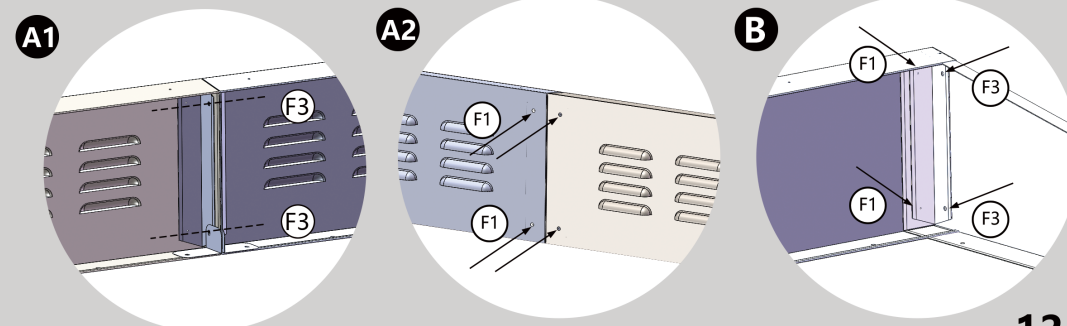


A1: Join L2L and L2R together, then place B1, B3L, and B3R in the positions as shown. Secure B1, B3L, and B3R using F3 screws.


A2: From the outside of L2L and L2R, use F1 screws to secure them.

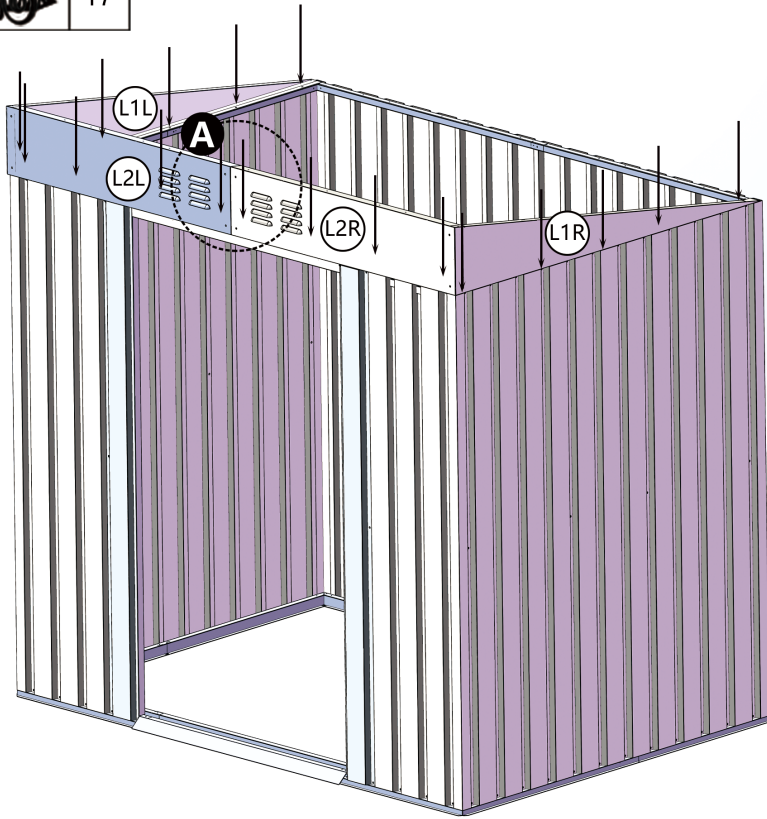
B: Place L1L and L1R on the left and right sides of the assembly respectively.

Then place B1 in the position shown in the diagram. From the outside, use F3 and F1 screws respectively to secure them.





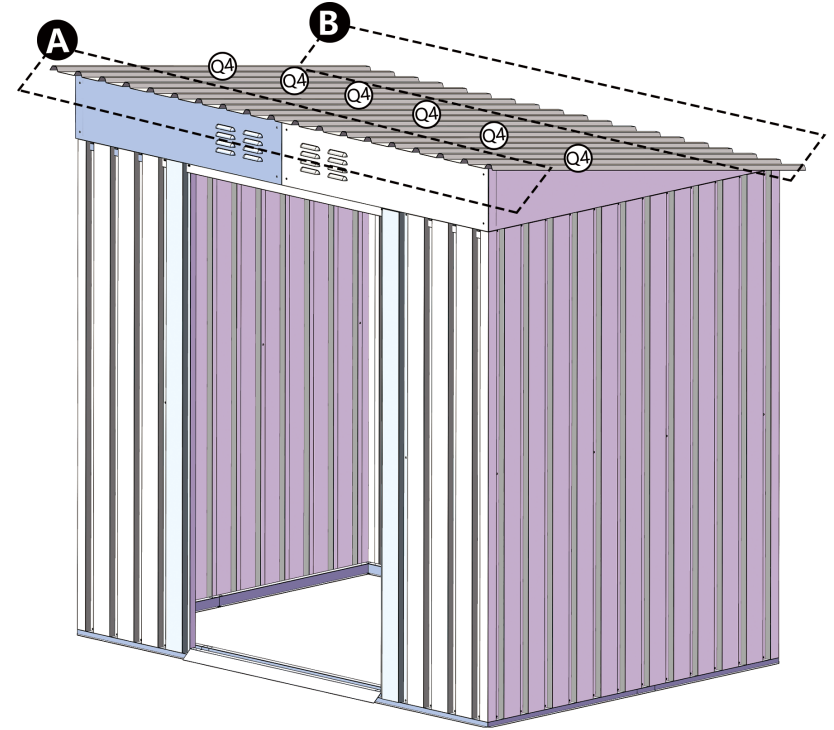
12

NO.	PART	Qty.
F1		17

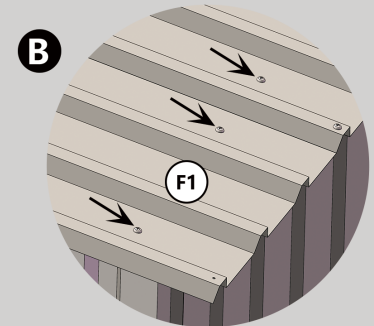
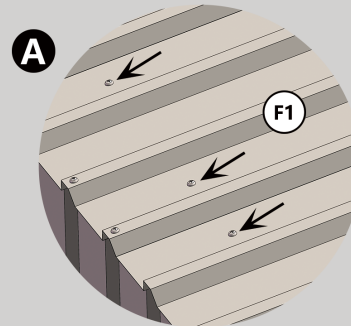
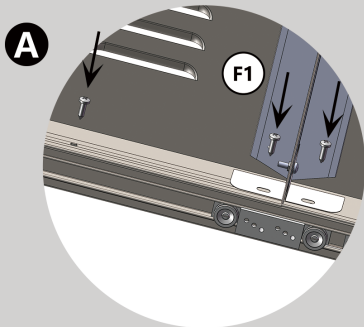






Notice:
The assembled roof support parts are successively installed on the wall tiles with F1.

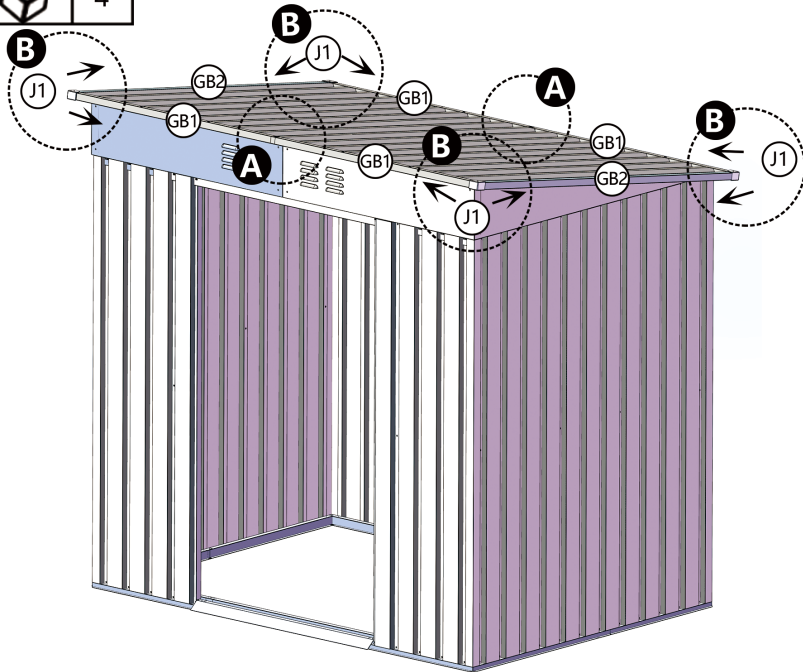
NO.	PART	Qty.
Q4		6
F1		24



Notice:
Install Q4 in sequence, overlap between every 2 pieces, and each Q4 needs 3 rows of F1 fixed.



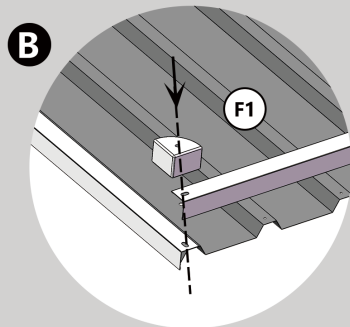
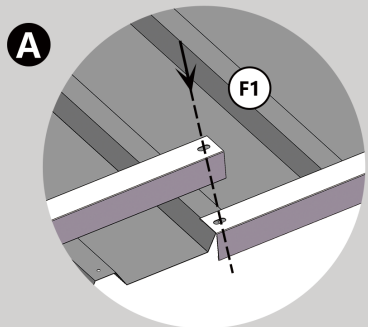
NO.	PART	Qty.	NO.	PART	Qty.
GB1		4	F1		6
GB2		2			
J1		4			














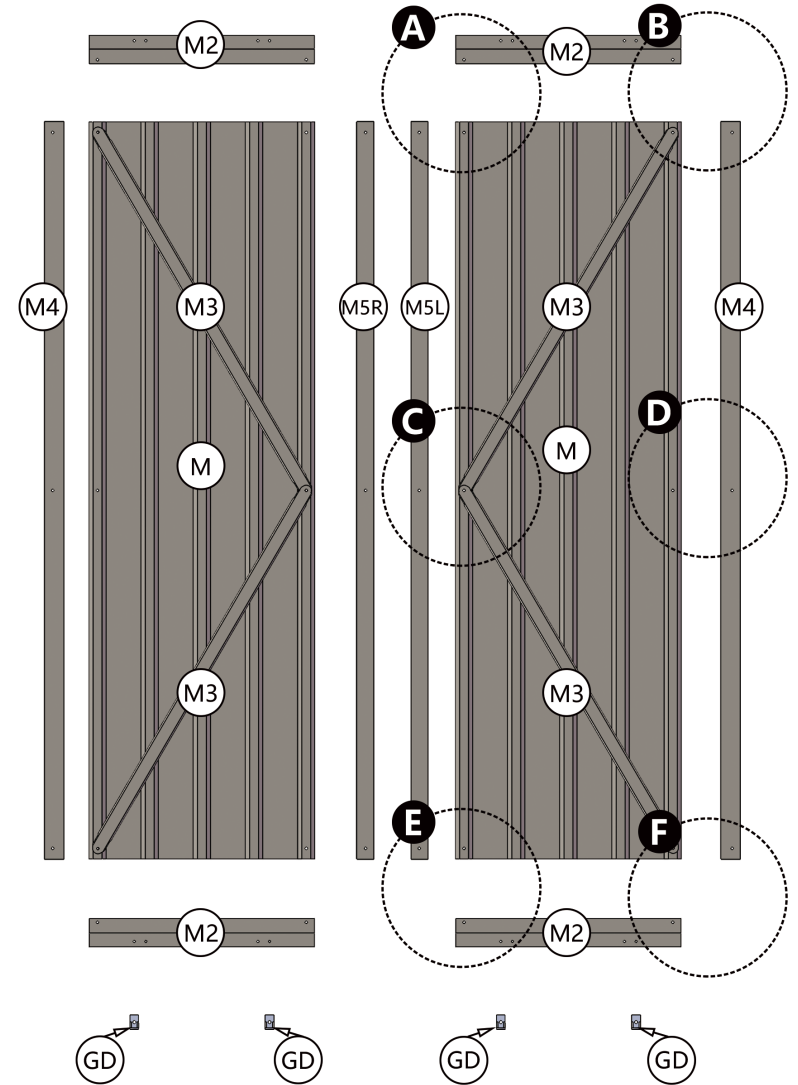
Notice:

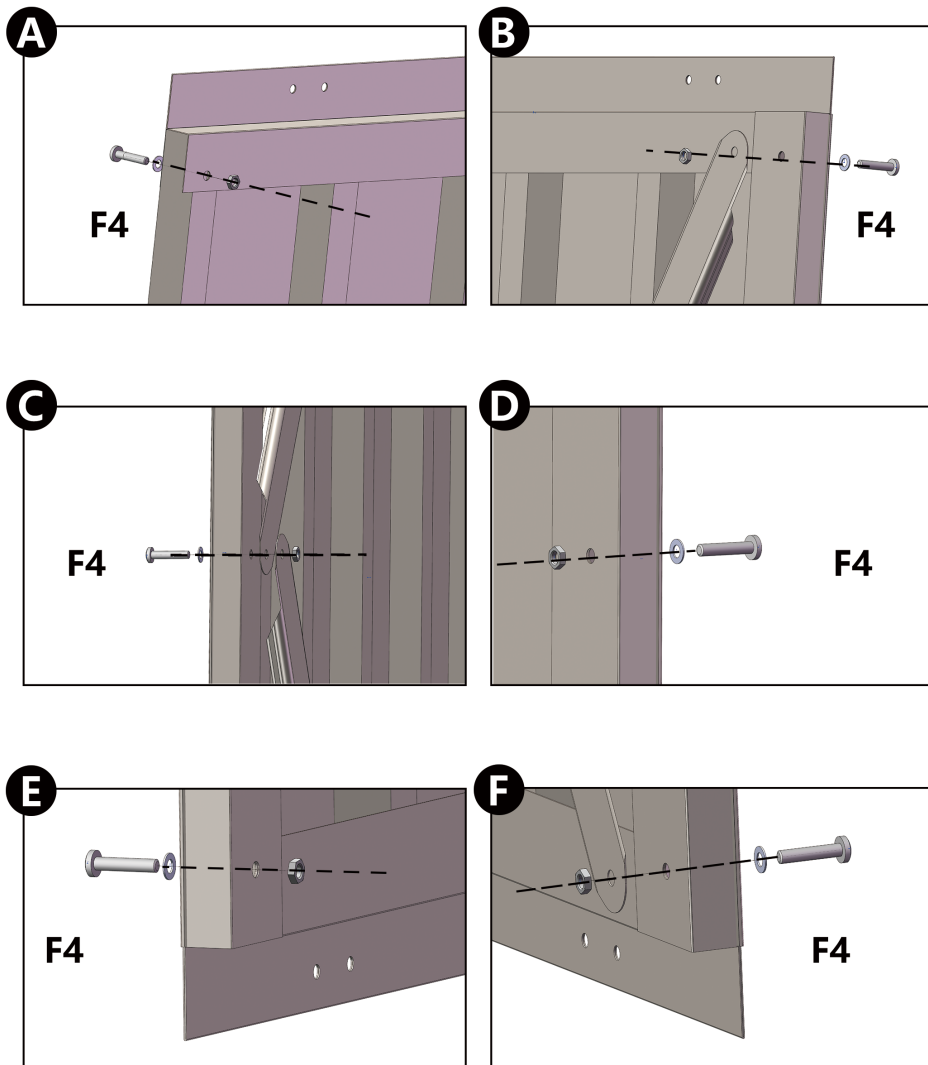
Step A: Fix 2 GB1 parts with F1, fix other holes with F1.

Step B: Fix GB1, GB2, J1 parts with F1.

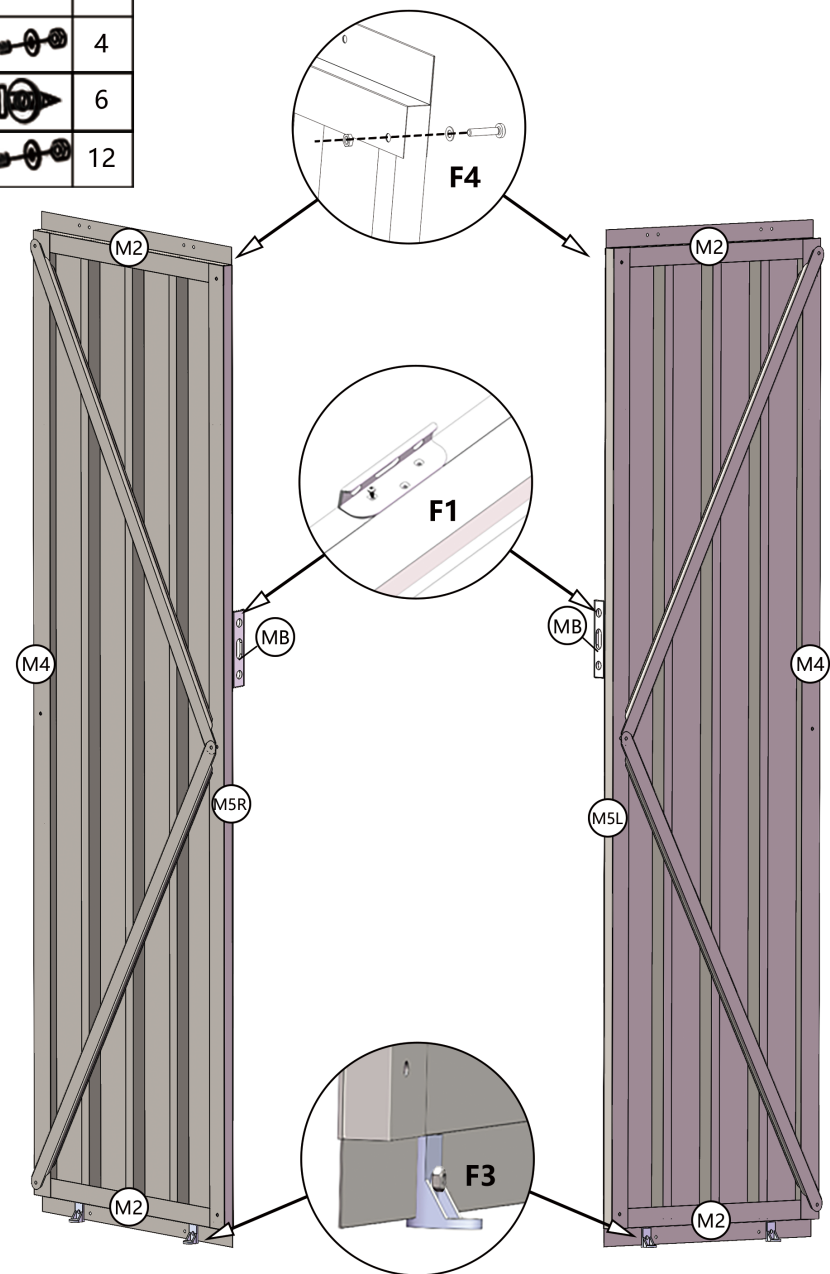



NO.	PART	Qty.	NO.	PART	Qty.	NO.	PART	Qty.	NO.	PART	Qty.
M2		4	M5L		1	GD		4	F3		4
M3		4	M5R		1	M		2	F1		6
M4		2	MB		2	F4		12			

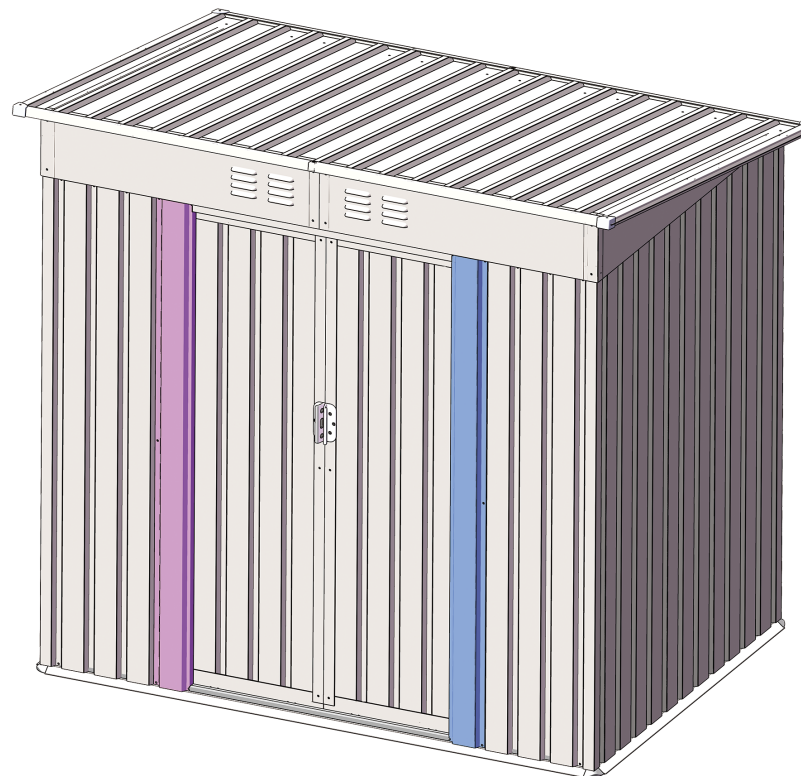
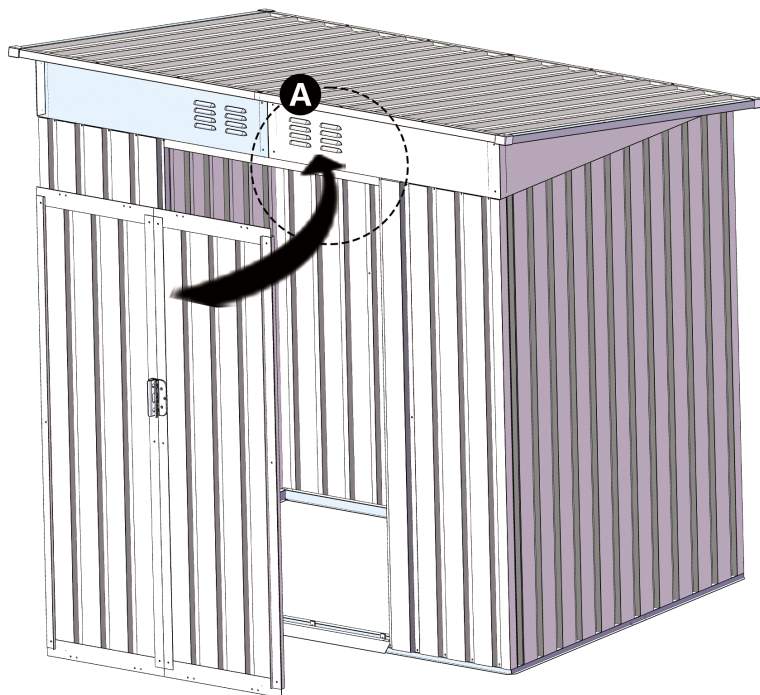




NO.	PART	Qty.
F3		4
F1		6
F4		12



NO.	PART	Qty.
F1		8



Notice:
 Use F1 to secure the installed door to the pulley.
 The adjustment of the door can be achieved by the three holes of the pulley being at different heights.

