

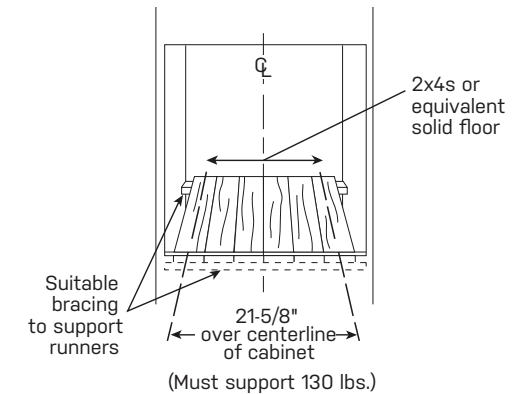
# PWB7030SV

## GE Profile™ Series 30" Built-In Microwave/Convection Oven

### DIMENSIONS AND CABINET INSTALLATION INFORMATION (IN INCHES)

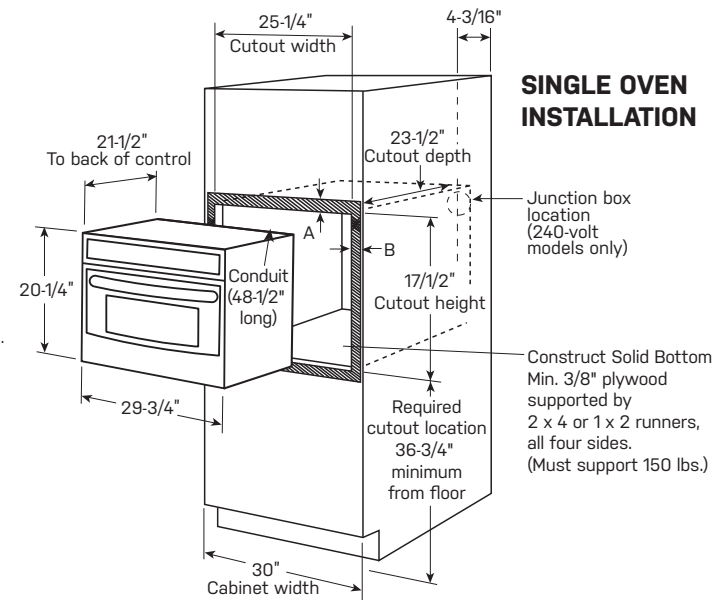
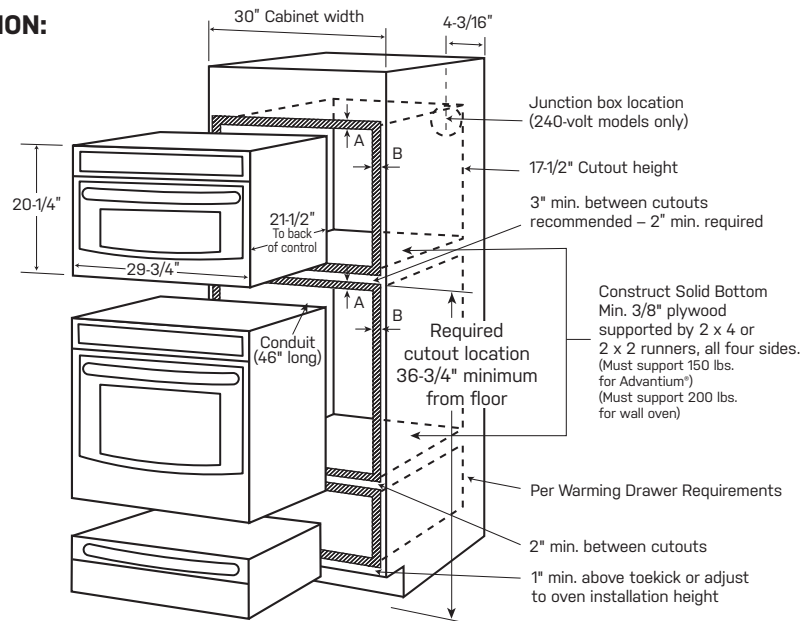
#### NOTE:

- Cabinets installed adjacent to wall ovens must have an adhesion spec of at least a 194°F temperature rating.
- 2" minimum between cutouts when installed above warming drawer or single wall oven.
- Built-In Convection Oven can be installed in combination with other Built-In appliances. Always follow each product's Installation Instructions to complete the installation



#### INSTALLATION INFORMATION:

Before installing, consult installation instructions packed with product for current dimensional data.



#### SINGLE OVEN INSTALLATION

A / B = Allow the following clearances around the cutout on the front surface of the cabinet: 1-7/8" from the top, 2-3/8" from the side edges and 1-1/8" from the bottom. **NOTE:** these refer to minimum clearances required for installation and do not reflect actual product dimensions.



For answers to your Monogram, Café™, GE Profile™ or GE Appliances product questions, visit our website at [geappliances.com](http://geappliances.com) or call GE Answer Center® Service, 800.626.2000.



Product Specification Revised 7/24

# PWB7030SV

## GE Profile™ Series 30" Built-In Microwave/Convection Oven

### FEATURES AND BENEFITS

**1.7 CU.FT CAPACITY** – 1000 microwave watts and 1500 convection watts

**CONVECTION COOKING** – Choose this setting when baking or browning is desired

**COMBINATION FAST COOK SETTING** – Combines microwave and radiate heat for speed.

**BRILLIANT 7" TOUCHSCREEN DISPLAY** – A bright, interactive touch screen is easy to use and includes custom screen backgrounds, weather updates etc.

**IN-OVEN CAMERA** – Check on your food from anywhere without opening the oven door by livestreaming video of your food on your smartphone

**BUILT-IN WIFI** – Ensure your oven always has the latest features with downloadable software upgrades.

**MULTIPLE COOKING MODES** – Convection bake, sensor microwave, broil, toast, warm, proof

**DEFROST OPTIONS** -- Defrost by time, weight or food type

**WARMING AND PROOFING OVEN** -- Keep food hot and ready to serve with the warming mode or use the proofing mode to provide the ideal environment for bread dough to rise

### UNDER-THE-COUNTER INSTALLATION FLEXIBILITY

**MODEL PWB70303SVSS** – Stainless steel

