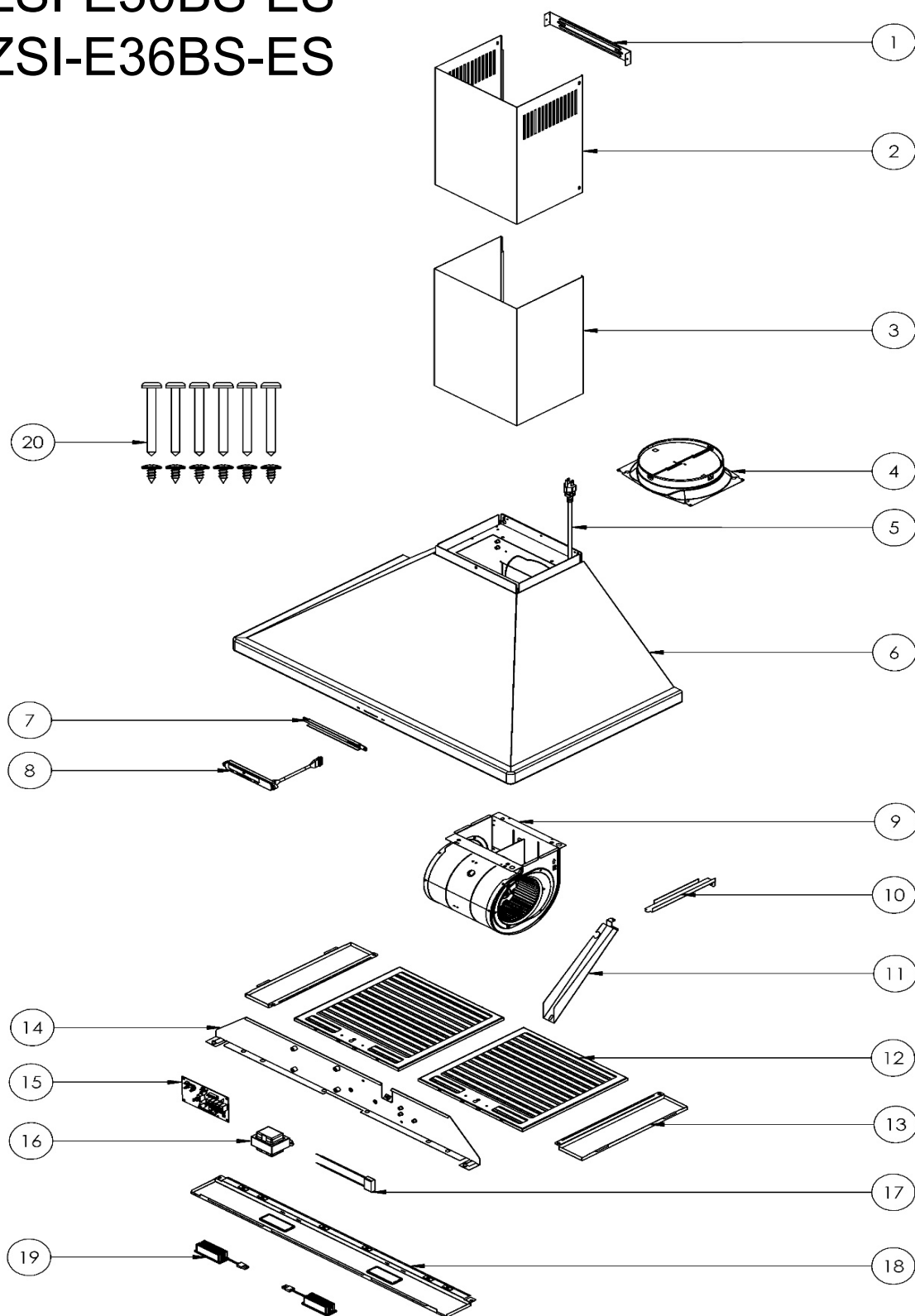


ZSI-E30BS-ES ZSI-E36BS-ES





Sienna ENERGY STAR

ZSI-E30BS-ES, ZSI-E36BS-ES

Ref #	Part #	Description	Qty.
1	54110050	Duct Cover Wall Bracket	1
2	50050145	Upper Duct Cover	1
3	50050146	Lower Duct Cover	1
4	54050078	8 Inch Round Coller	1
5	11030082	Electrical Cord	1
7	54140154	Switch Bracket	1
8	11000175	Switch Assembly	1
9	12120077	Motor	1
10	54210011	Wiring Cover	1
11	54210012	Wiring Cover	1
12	50210041	Hybrid Baffle Filter	2
13	50120104	Side Panel, ZSI-E36BS-ES	2
14	50140133	Internal Panel, ZSI-E30BS-ES	1
14	50140134	Internal Panel, ZSI-E36BS-ES	1
15	11010172	Control Board	1
16	12110019	Transformer	1
17	12050012	Capacitor	1
18	50110395	Light Panel, ZSI-E30BS-ES	1
18	50110396	Light Panel, ZSI-E36BS-ES	1
19	Z0B0065	LED Light, AC, 7W	2
20	05000175	Hardware Packet	1
21	54140146	Rear Ducting Motor Bracket	2
22	56210120	Top Ducting Cover Plate	1

MAR23.0101