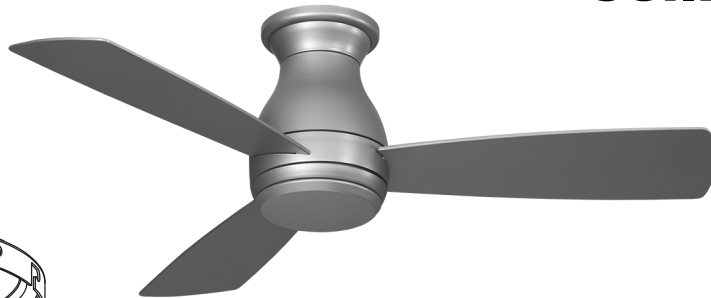
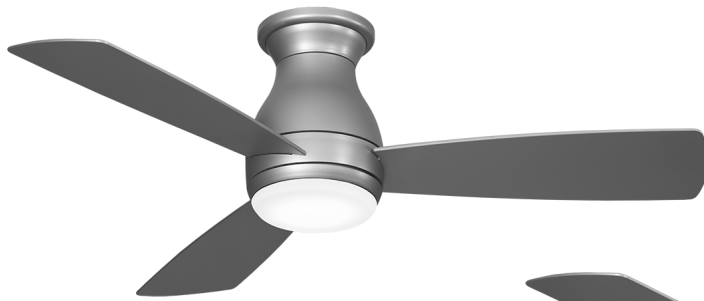


**HUGH™ 44**

**FPS8332\*\***

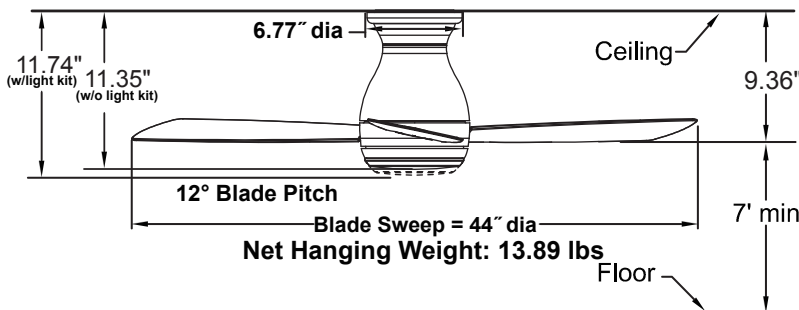
# 44" Wet Location Ceiling Fan



**Ceiling Bracket**  
Width of the screw slot



0.67" 2.52"



Available Finishes	
BNW	Brushed Nickel with Brushed Nickel blades and Opal Frosted Glass / Steel Cap
DZW	Dark Bronze with Dark Bronze blades and Opal Frosted Glass / Steel Cap
GRW	Matte Greige with Matte Greige blades and Opal Frosted Glass / Steel Cap
MWW	Matte White with Matte White blades and Opal Frosted Glass / Steel Cap

### INSTALLATION REQUIREMENTS:

Fan must be attached to a securely anchored electrical junction box capable of withstanding a load of at least 35 lbs.

### ELECTRICAL REQUIREMENTS:

Requires a grounded electrical supply line of 120 volts AC, 60 Hz, 15 amp circuit.

### MOTOR SPECS:

153 x 12 AC motor is designed for optimal performance with this fan.

### BLADE SET:

A set of three 20" plastic blades is included.

### CONTROL OPTIONS:

CW60WH-8332-8355 wall control is included.

Switch control has 3 fan speeds, light levels and off button. The reverse switch is inside the light kit.

Optional BTCR9, CRL4WH and CRL8TS hand-held remote controls with receiver units are available—sold separately.

Instructions are provided with each control.

### LIGHTING OPTIONS:

One 18-watt LED included.

### LOCATION USE:

Fan is rated for dry, damp and wet locations.

### Fan Airflow / Energy Efficiency Info (120V)

Fan Speed	Max RPM	CFM	CFM / Watts	Amps	Watts
High	250	4503	90	0.43	50
Med	212	3854	116	0.35	33
Low	135	2551	181	0.23	14

### Light Bulb Information (120V)

Bulb Type	Watts	QTY	Lumens Amount	Color Temp	CRI
LED	18	1	1440	3000	80%