

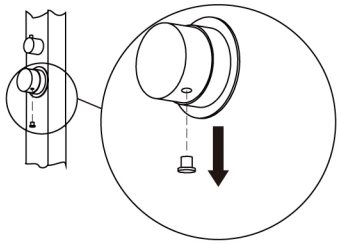


NOTE: IF YOU NEED TO CLEAN THE VALVE, PLEASE FOLLOW THE STEPS BELOW:

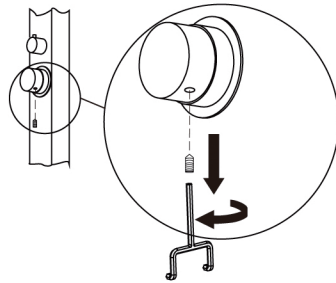
## Thermostatic valve removal and installation

### Remove process:

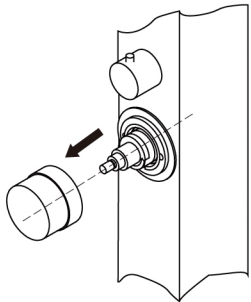
① Remove the small cover



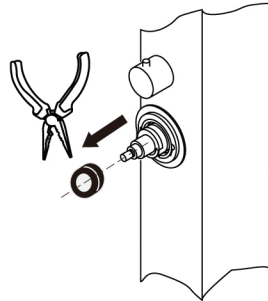
② Loosen the HEX screw with an allen wrench



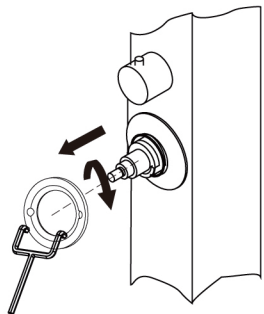
③ Take off the knob



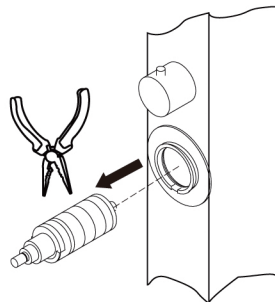
④ Take off safety-ring



⑤ Loosen the metal lock-ring and remove by tool (not available)

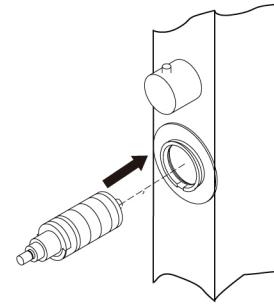


⑥ Remove the valve and clean

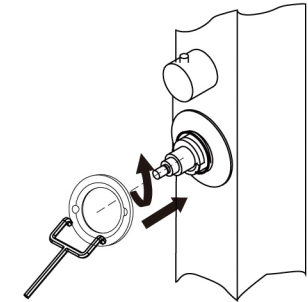


### Installation process:

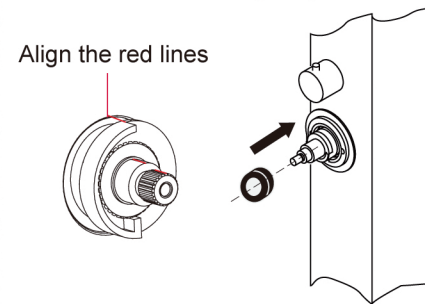
① Place the valve in place (ensure the screw head is pointing to the cut off of the plated ring)



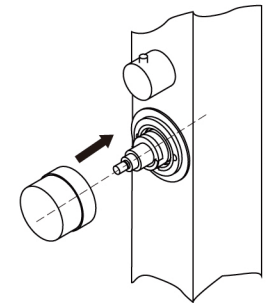
② Thread metal lock-ring back on the valve



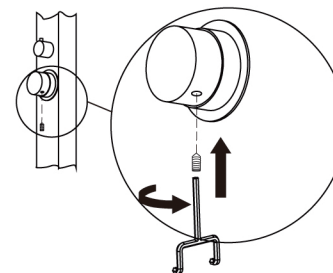
③ Put the ring in place



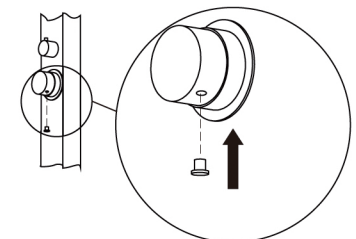
④ Press the button on the knob and put on the valve as shown ensuring the HEX screw points down



⑤ Use an allen wrench to tighten the HEX screw



⑥ Put back the small cover

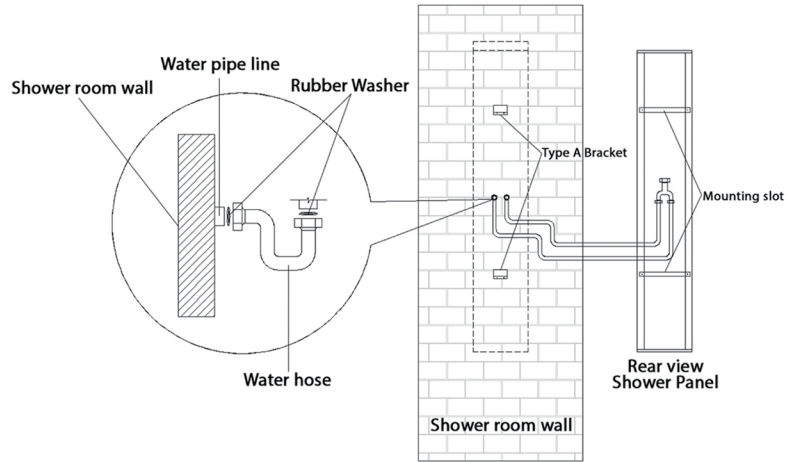


# General Installation Instruction for Shower Panel

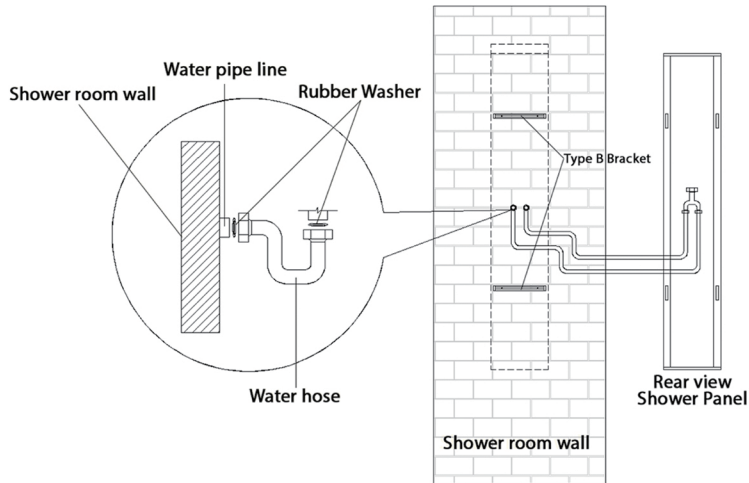
## Step 1. Linking Instruction

Join the elbow bend to the faucet insert, and then join the hot and cold water lines together with the elbow bends. The shower panel can be put into use after mounting it.

### Type A mounting bracket:



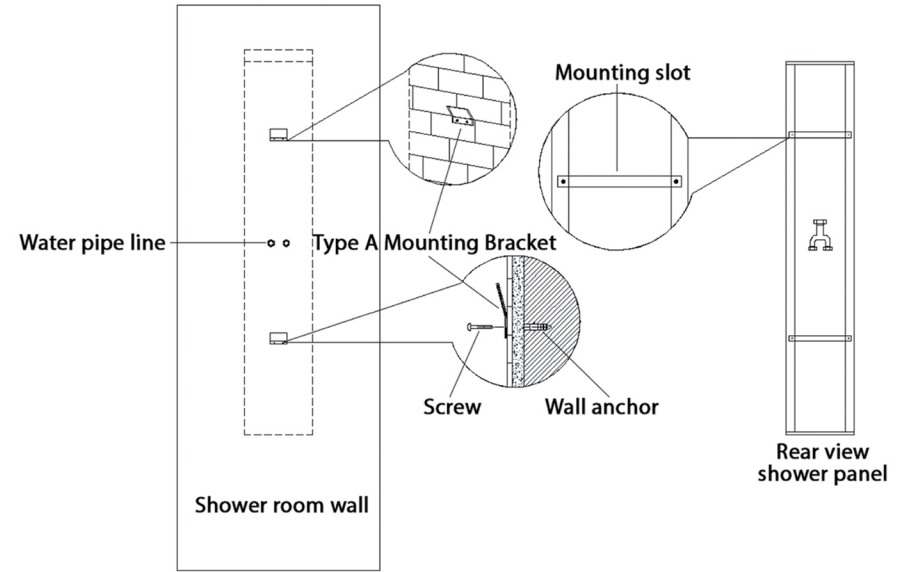
### Type B mounting bracket:



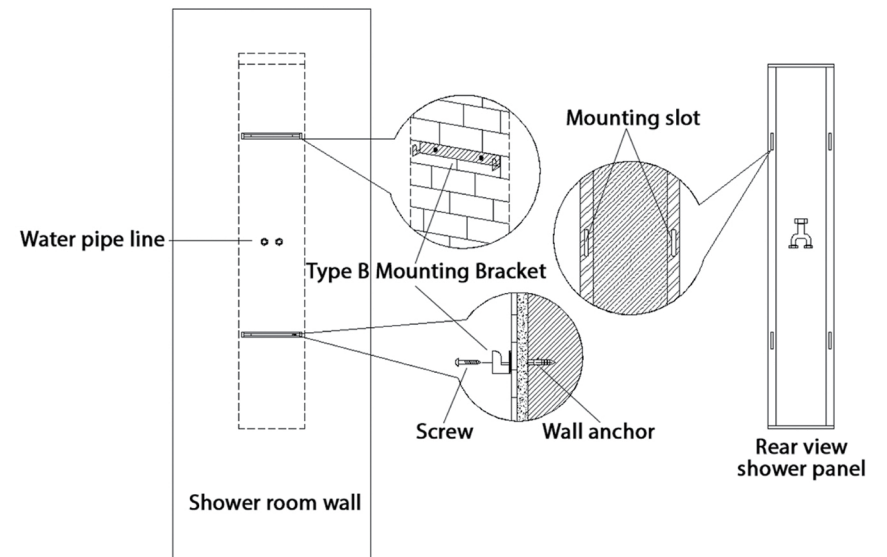
www.akdytrading.net 6/23/14

## Step 2. Mounting Instruction

### Type A mounting bracket:



### Type B mounting bracket:



www.akdytrading.net 6/23/14