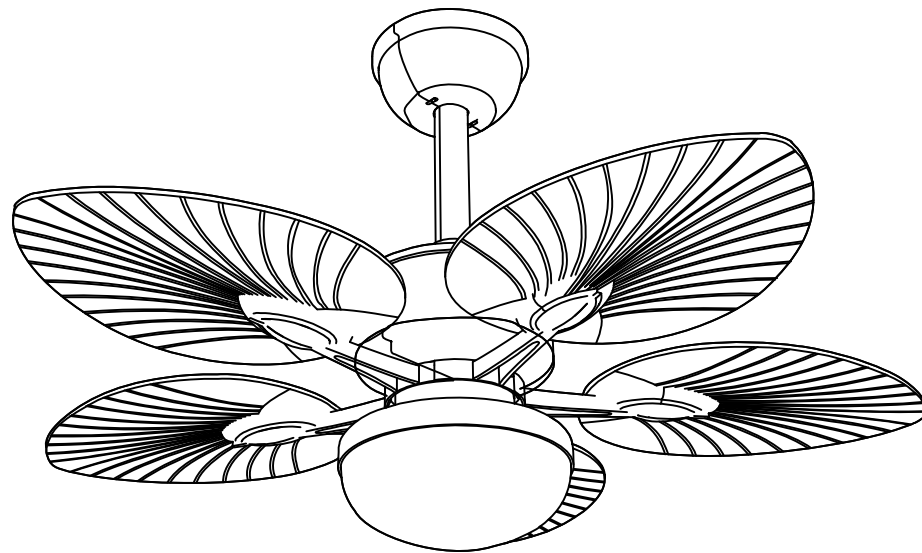


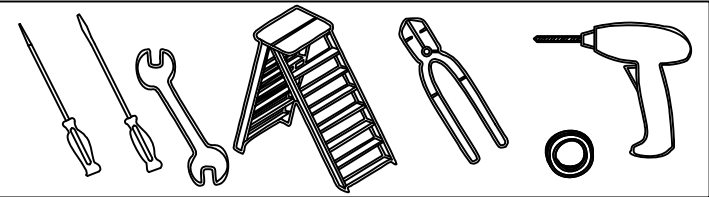
CEILING FAN INSTRUCTION MANUAL

F8033-52DB

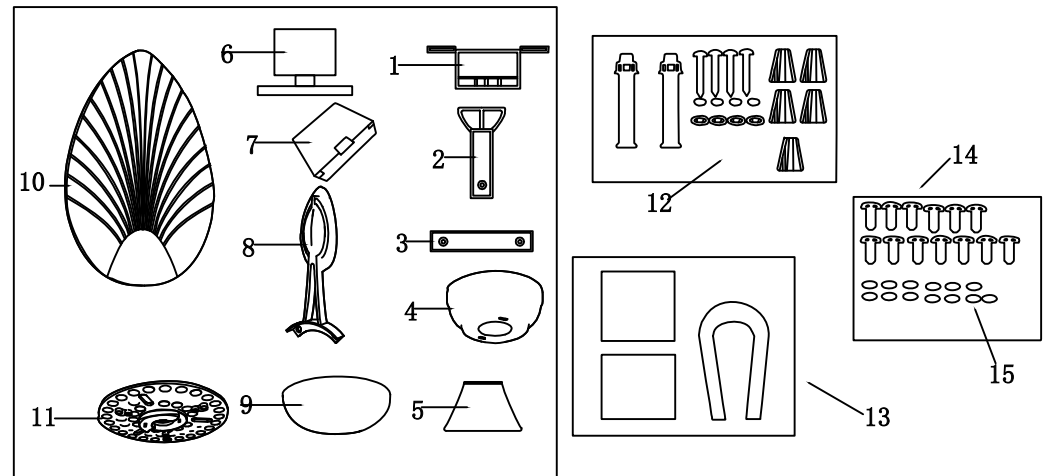


1, Tools ready

- Philips screwdriver
- Blade screwdriver
- Adjustable pliers or wrench
- Step ladder
- Wire cutter
- Electrical tape
- Impact drill



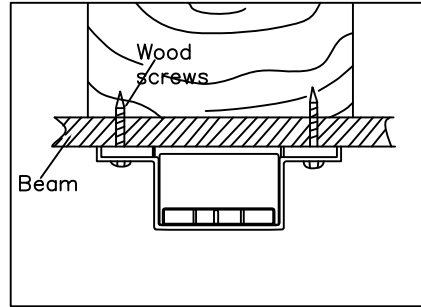
2, Parts inspection



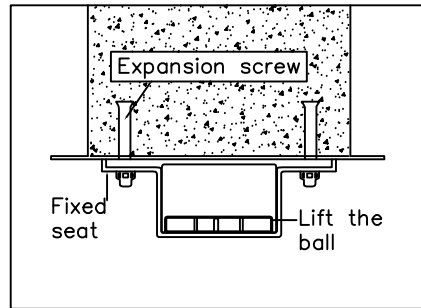
NO.	Name	Quantity	NO.	Name	Quantity
1	Hanger bracket	1	10	fan blade	5
2	5 inch downrod	1	11	light source	1
3	10 inch downrod	1	12	Expansion screws	1
4	Canopy	1	13	Balance package	1
5	Decorative cover	1	14	Blade screw	16
6	Motor and housing	1	15	Shim	16
7	Remote controller	1			
8	Yaksha	5			
9	lampshade	1			

3. Installation of bracket

1) To use wood screws to fix bracket for wooden or false ceiling.



2) To use expansion screws to fix bracket for concrete ceiling before that will need to drill dia.8mm expansion bolts.



4. Install the blades

1) Fix the bracket and fan blade with screws in turn.(Figure 1)

2) Fix the fixed support blades on the motor in turn..(Figure 2)

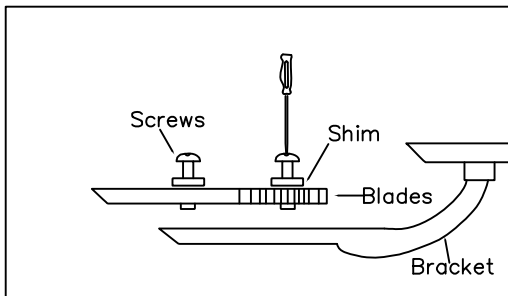


Figure 1

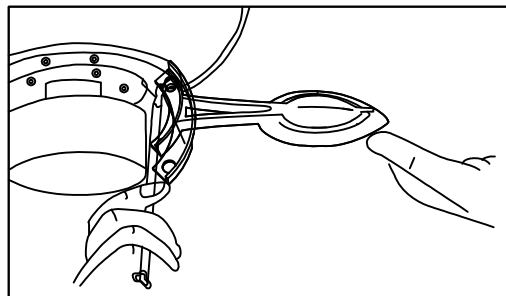


Figure 2

2

5. Lamp installation

1. Connect the corresponding wires at the bottom of the lamp and the motor.

2. Tighten the three screws on the edge of the switch cover

3. Take out the decorative nuts, nuts, iron washers and plastic washers pre-locked on the lamp tube

4. Install COVER

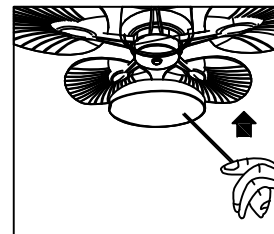
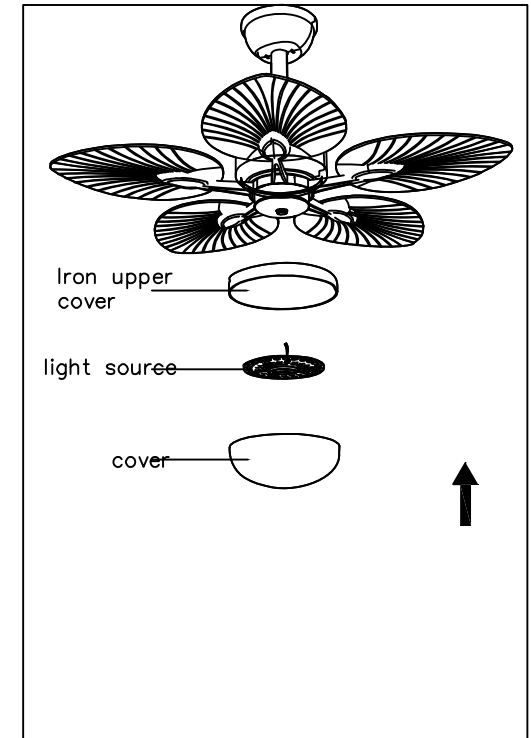


Figure 1



Figure 2



Figure 3

3

6, Installation of downrod, canopy and decorative cover Selection of downrod

1) To select the correct downrod, either 5 inch or 10 inch according to the ceiling height. Put the canopy and decorative cover through the downrod;

2) Remove the locking pin and the long pin. then remove the two downrod set screws;

3) Fix the downrod set into the fan body, lock the downrod to the fan body with set screws.

4) Mount the bracket onto outlet box by the screws, spring washers and flat washers.

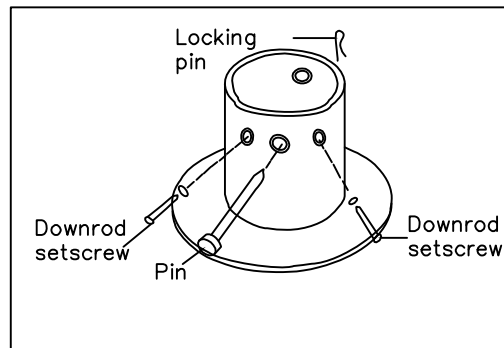
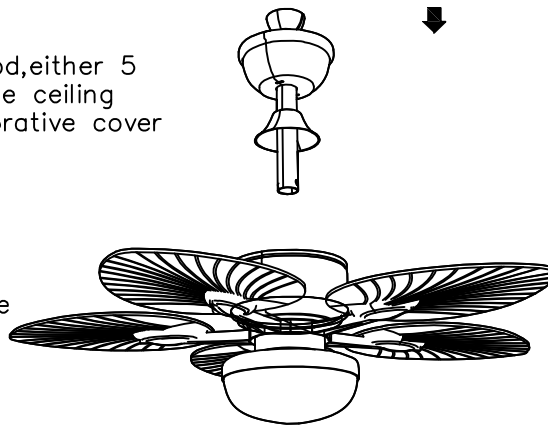
5) Hang the ball joint and the fan onto the bracket, make sure the guide pin of the bracket is fitted into slot of ball joint.

6) Insert the remote control receiver between the bracket and the downrod.

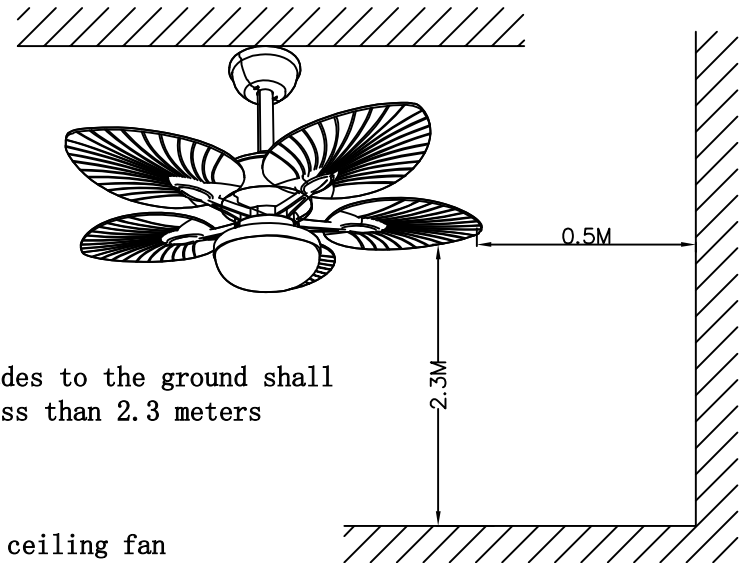
7) Connect wires from supply and the bracket to the wiring terminals.

8) Attached canopy to the bracket by aligning canopy holes with the bracket holes. Fix the canopy to bracket with set screws.

9) Install the blade brackets and blades with screws.



7. Installation height

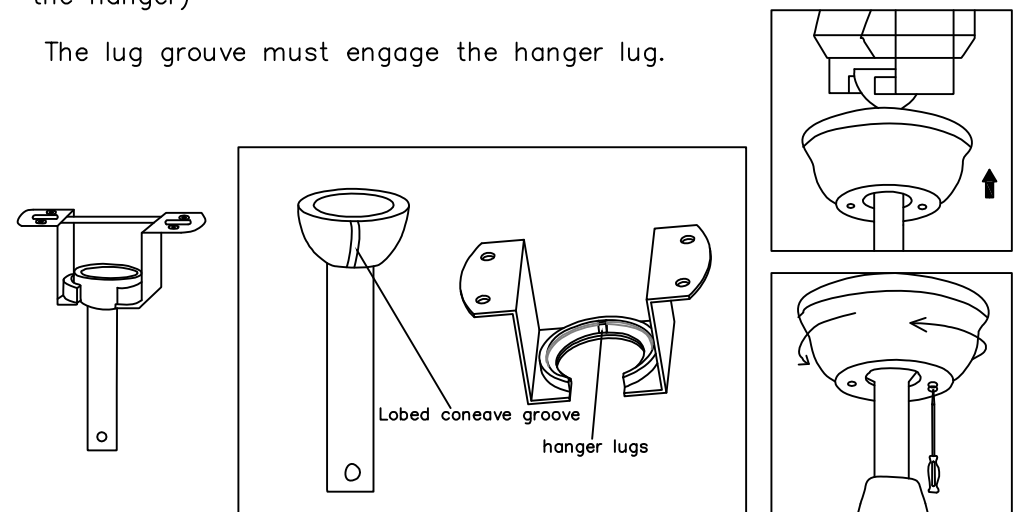


Fan blades to the ground shall note less than 2.3 meters

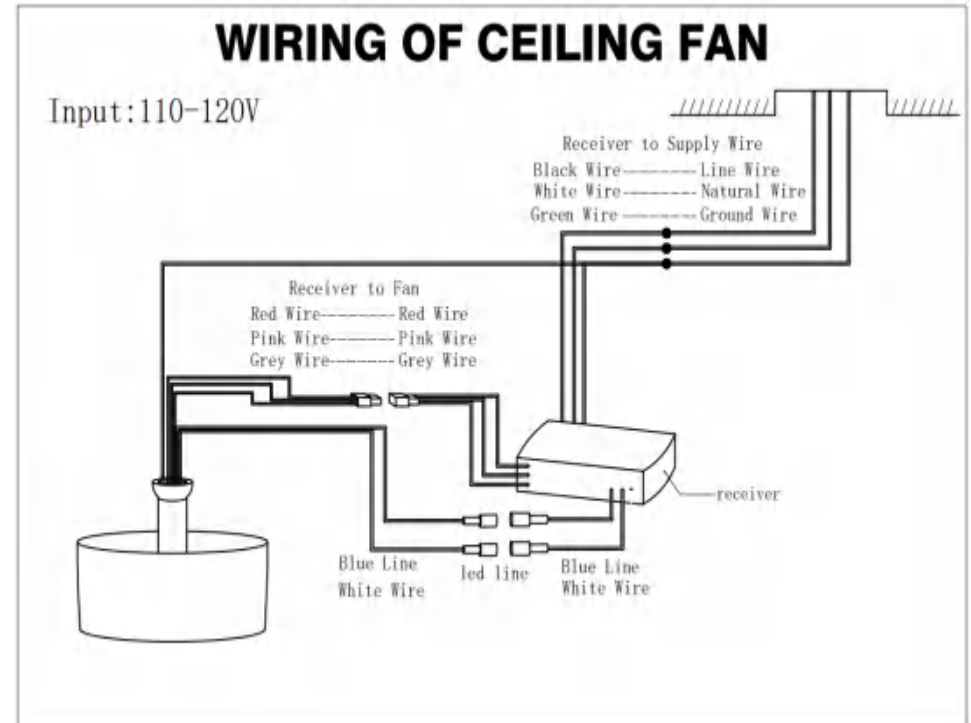
8, Hanging ceiling fan

1) Place the lobes in the hanger and turn the pipe so that the groove on the lobes engages the lugs on the dome (inside the hanger)

The lug groove must engage the hanger lug.



9, Connect the power cord



10, The balance adjustment of the fan

Fan is installed, if it shakes up and down, please check the screws in blades, downrod, and the lamp kit if they are fixed, if not, please fix it with screw driver. If it still shakes, please use the balancing kit stools and check the instruction of balancing kit inside the carton.

Warm Tips: the Maintenance of Ceiling Fans

- 1) Because the ceiling fan always runs, please check regularly whether the hanger, fan blade, leaf rack and other parts are loose, if not, please fasten it in time to ensure it runs with safety.
- 2) Keep ceiling fans clean regularly. Only use a soft brush or a lint-free cloth to clean it gently. Do not use a damp cloth or other destructive cleaner.
- 3) Don't add lubricating oil or lubricant to any part of this product.

Safety Instructions

1. In order to reduce the occurrence of electric shock,the supply line is connected between the fan and must be installed an all-pole Disconnect switch,(switch contacts opening distance requirements played a 3mm).
If you lack of electrical knowledge,bo sure Please hold"electrician card" professional install it for you.
2. To avoid electrical shock hazard,ceiling fan installation,removal before you tun off the power first,will be installed Shall be ground,FireWire,zero line order of installation,disassembly must be disassembled to the zero line,the line of fire,earth order.
3. In order to reduce electric shock or from accidents.do not use non-local governor or switchproductrequirements
4. When a ceiling fan installation,you must determine the varlous parts of screws securely latched.
5. rotating celling fan,the blades should not touch any object to avoid danger.
6. Select the appropriate location to install a ceiling fan,ceiling fan blade away from the ground should Above2.3 meters or more Prevent accidental blade collision accident.
7. To change the fan rotation direction.please turm off and wait for the blades stop turning after adjustmentreversing switch.
8. The power of this machine is 120V/60Hz,maximum motor power of 60W(specifications of different models of ceiling fans,which Motor power will be different),each light source lamps maximum 40w.
- 9.about how to install a ceiling fan and connect the power,please read the fan assembly procedures carefully.
- 10.Do not clean the ceiling fan blades and clean water or detergent directly,use a dry cloth or slightly dampcloth to wipe In addition to dust.Before cleaning the ceiling fans,ceiling fan must be disconnected fromthe power switch.

Tools Needed

- *Phillips Screwdriver
- *Blade Screwdriver
- *Adjustable Pliers or Wrench
- *Step Ladder
- *Wire Cutter
- *Electrical Tape

