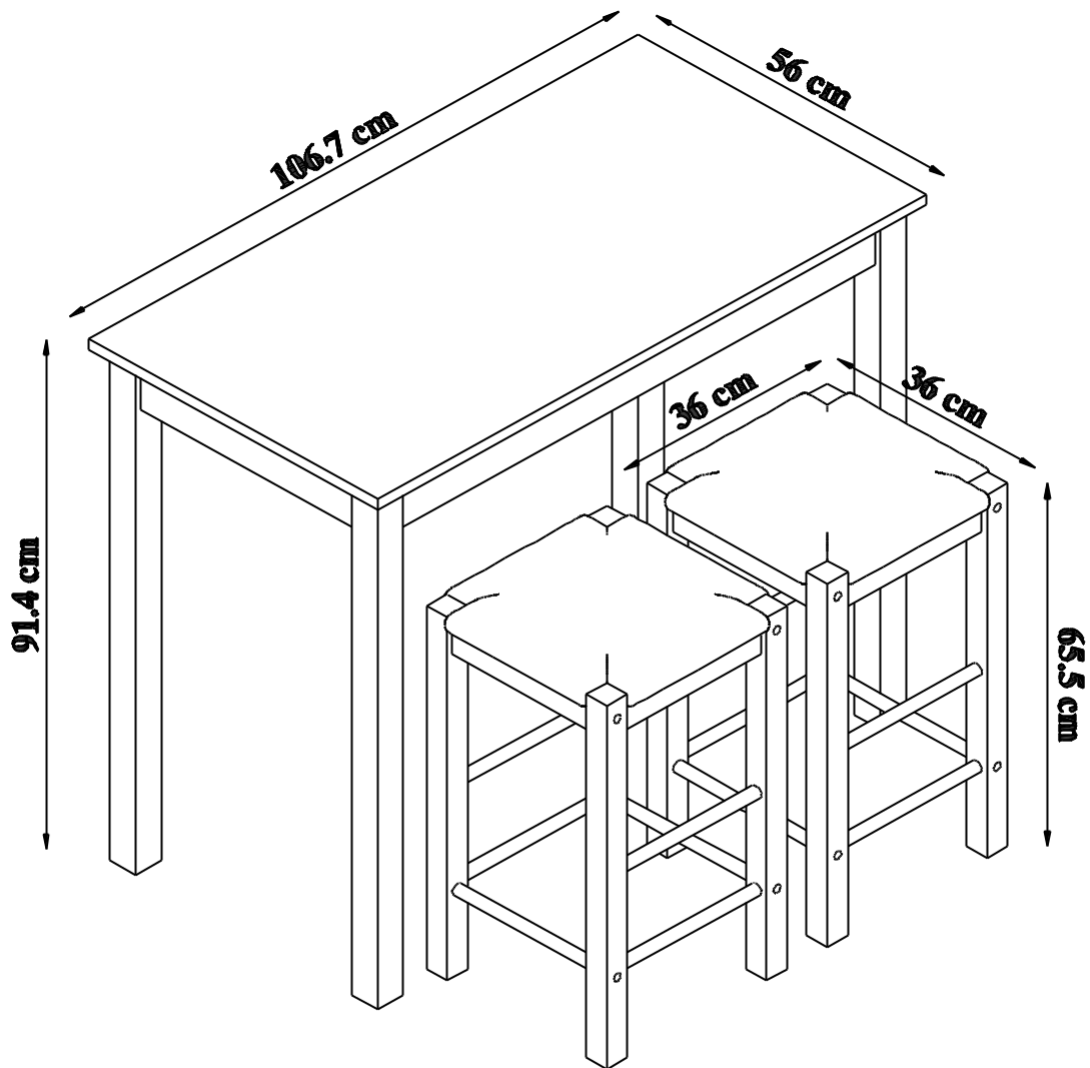


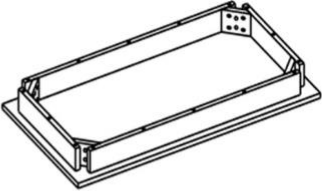
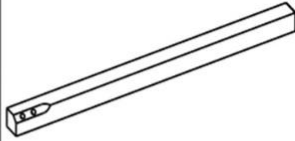
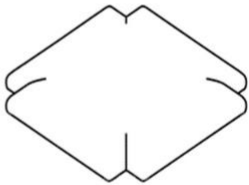
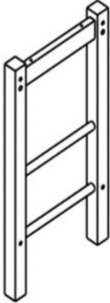
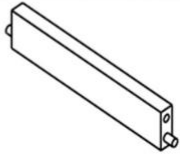
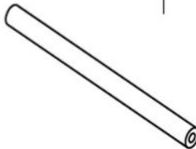
Counter Table with 2 Stools

Assembly Instructions





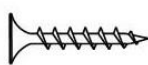

F00035



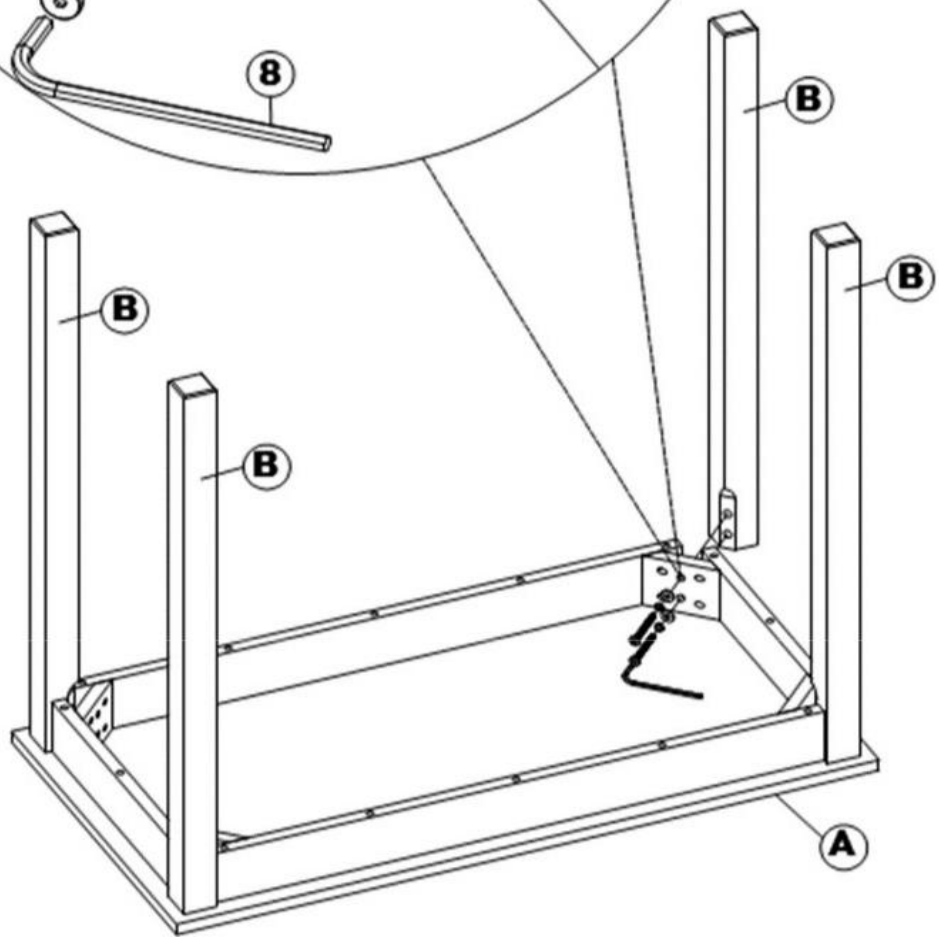
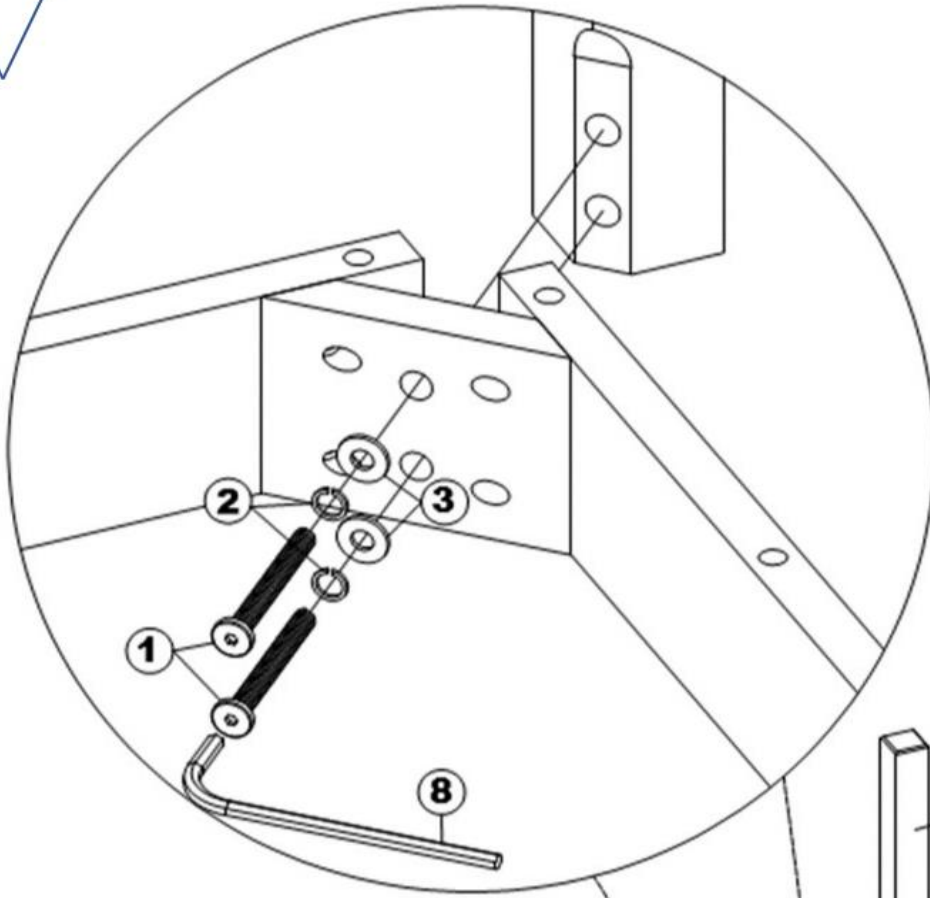
PARTS LIST

| NO | Description | Qty | Sketch | NO | Description | Qty | Sketch |
|----|-------------|-----|---|----|----------------|-----|---|
| A | Table Top | 1 |  | B | Legs | 4 |  |
| C | Seat | 2 |  | D | Leg Frame | 4 |  |
| E | Side Apron | 4 |  | F | Side Stretcher | 4 |  |

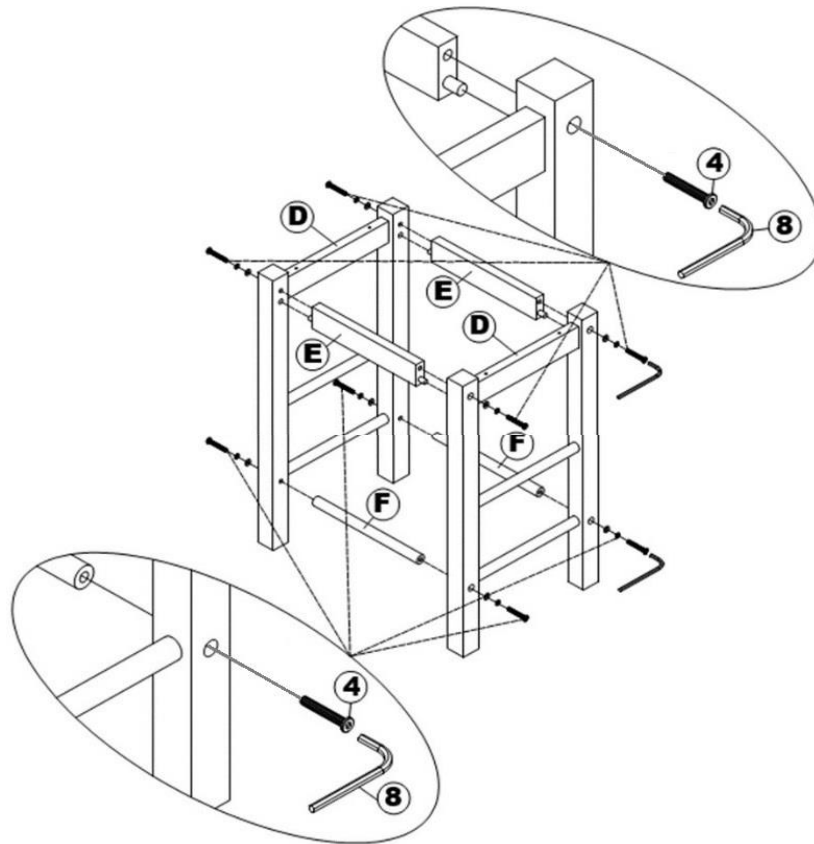
HARDWARE LIST

| NO | Description | Qty | Sketch | NO | Description | Qty | Sketch |
|----|------------------------------|-----|---|----|--------------------------------|-----|---|
| 1 | Bolt (M8 x 70mm) | 8 |  | 2 | Spring washer (Φ8.5 x 13mm) | 8 |  |
| 3 | Flat Washer (Φ8.5 x 19mm) | 8 |  | 4 | Bolt (M6 x 45mm) | 16 |  |
| 7 | Screw (M4 x 30mm) | 8 |  | 8 | Allen key | 1 |  |

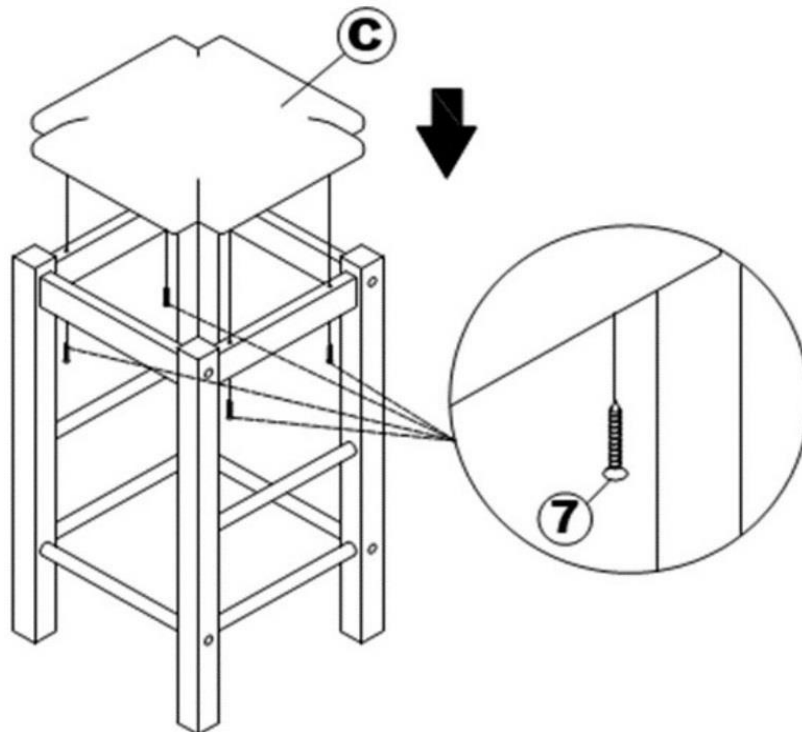
1



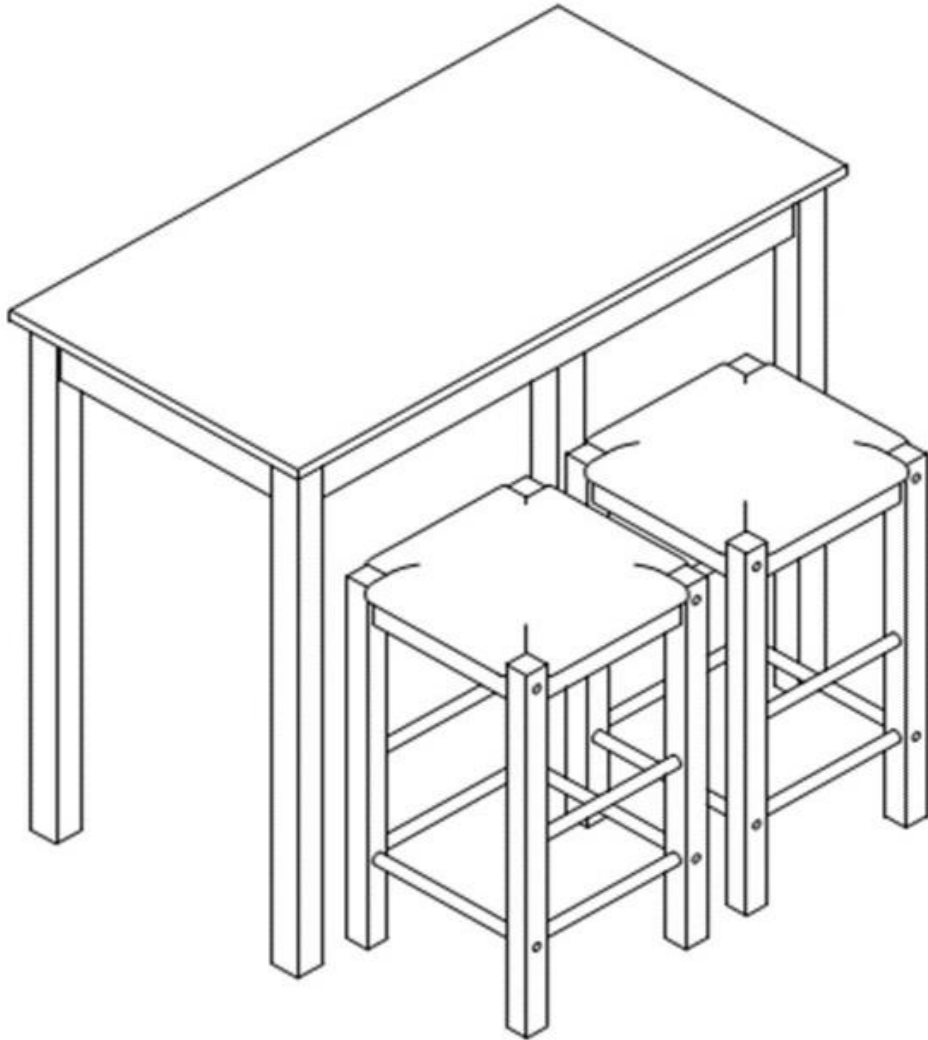
2



3



4



Finish