

Features:

GRS48320

Include Components:

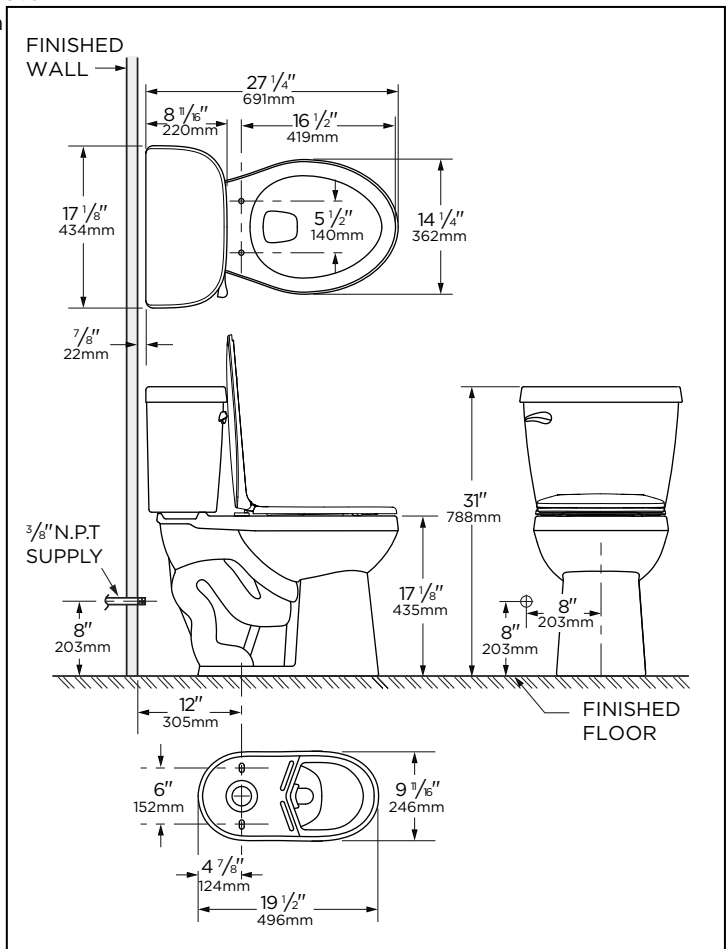
- Combination GRS48320
- Bowl GMX21958
- Tank GRS48205

- Vitreous China
- 12" Rough-In
- ReadySet(TM) Toilet Installation Kit with Low Profile Bolt Caps
- Soft Close Toilet Seat and Cover
- 3" Flush Valve for Maximum Water Force
- Fluidmaster® 400A Fill Valve
- Corrosion-Resistant Flapper
- Extra-Large Dual Fed Siphon Jet for High Power Bowl Clearing
- 100% Glazed, Large Trapway for Clog-Free Waste Removal
- Double Nut Multi-Point Tank-to-Bowl Mounting System for Tool-Free Installation
- Chrome-plated left side-front plastic lever with plastic rod
- MaP Rating: 1000g
- Includes: Bowl, Tank, Seat, ReadySet installation kit, wax ring, tank to bowl hardware, low profile bolt caps
- Supply Line is not included



Technical Information:

Configuration	Two-Piece, ErgoHeight™ ADA Round Front Toilet
Water Consumption	1.28 gpf (4.8 Lpf)
Rough-In	12"
Height	31"
Width	17 1/8"
Depth	27 1/4"
Trapway	2"
Water Surface	8 11/16" x 6 5/16"
Shipping Weight	95.02 lbs



Accessories: (To be purchased separately)

N/A

Available Colors:

- White

Warranty:

- 5 YEARS Limited Warranty.



NOTES: All dimensions are in inches and millimeters. Illustrations may not be drawn to scale.

IMPORTANT:

Dimensions of fixtures are nominal and may vary within the range of tolerances established by ASME standard A112.19.2/CSA B45.1 THIS FIXTURE QUALIFIES ACCORDING TO ASME TEST PROCEDURES AS A HIGH EFFICIENCY WATER CLOSET WITH AN AVERAGE CONSUMPTION OF 1.28 gpf (4.8 Lpf). WATER CLOSET CONSUMPTION IS DETERMINED BY THE TANK.