

# FABRIC, SHEER, AND VINYL VERTICAL BLINDS

## Product Information Guide

### Features

Sheer Enchantment® Vertical Blinds . . . . .	3
Vane Styles and Information: Sheer Vertical Blinds . . . . .	3
Light Control Levels . . . . .	3
Fabric and Vinyl Vertical Blinds . . . . .	4
Vane Styles and Information: Fabric and Vinyl Vertical Blinds . . . . .	4
Light Control Levels . . . . .	4
Installation Types . . . . .	5
Oeko-Tex® Standard 100 Certified Fabrics . . . . .	5
NFPA 701 . . . . .	5
Vane Features . . . . .	6

### Size Considerations

Sheer Enchantment Vertical Blinds . . . . .	7
Depth Requirements for Inside Mount: Sheer Enchantment Vertical Blinds . . . . .	7
Fabric and Vinyl Vertical Blinds . . . . .	7
Depth Requirements for Inside Mount: Fabric and Vinyl Vertical Blinds . . . . .	7

### Options

Sheer Enchantment Vertical Blinds . . . . .	8
Fabric and Vinyl Vertical Blinds . . . . .	8
Fabric and Vinyl Vertical Blinds Headrail System . . . . .	8
Control Options . . . . .	9
Stacking Options . . . . .	9
Cut-Out Blinds . . . . .	10
Stay-Clear™ Channel Panel for Fabric Vanes . . . . .	10
Replacement Vane Ordering . . . . .	10
Sheer Enchantment Hem Style . . . . .	11
Sheer Enchantment Dauphine® Valance . . . . .	11
Round-Corner Valance . . . . .	12
Square-Corner Valance . . . . .	12
Additional Options . . . . .	12
Installation Hardware: Vertical and Sheer Vertical Blinds . . . . .	13
Number of Mounting Brackets: Vertical and Sheer Vertical Blinds . . . . .	13
Bay and Corner Windows . . . . .	14
Specialty Shapes: Angled Window Headrail . . . . .	15
Measuring Angled Window Outside Mount . . . . .	15

### PLEASE NOTE:

Photos and illustrations are for inspiration only.  
Not all product configurations are available in all countries.

Window blind cords are a strangulation hazard for young children. Consult your dealer or store associate for cordless products, or products with inaccessible cords. Remove this product immediately if a cord longer than 22 cm, or a loop exceeding 44 cm, becomes accessible.

### VEUILLEZ NOTER :

Les photos et les illustrations ne sont offertes qu'à titre d'inspiration. Toutes les configurations de produits ne sont pas disponibles dans tous les pays.

Les cordons pour store de fenêtre représentent un risque d'étranglement pour les jeunes enfants. Consultez votre dépositaire ou un associé de magasin pour des produits sans cordon ou des produits dont les cordons ne sont pas accessibles.

Retirez ce produit immédiatement si un cordon mesurant plus de 22 cm de longueur ou une boucle dépassant 44 cm deviennent accessibles.



## General Information

Sheer Enchantment Vertical Blinds Vane Stacking Chart: Outside Mount . . . . .	16
Sheer Enchantment Vertical Blinds Suggested Color Coordination . . . . .	16
Clear Opening: How to Measure for Uncovered Window: Fabric and Vinyl Vertical Blinds . . . . .	16
Vane Stacking Chart: One Touch® Control (Magnum and DuraLite): Fabric and Vinyl Vertical Blinds . . . . .	17
Sheer Enchantment® Vertical Blinds Product Detail . . . . .	18
Magnum G-98 Headrail Product Detail . . . . .	19
DuraLite G-85 Headrail Product Detail . . . . .	20

# Features

## Sheer Enchantment® Vertical Blinds

With flowing sheer material layered over room-darkening vinyl vanes, Bali® Sheer Enchantment Vertical Blinds offer the best combination of comfort and control. Plus, Sheer Enchantment fabrics are easily removed and machine washable.

- Fabric easily installed and removed—no need to take down entire blind
- Easily replace original fabric with different style or color when décor changes
- Fabric is machine washable
- Color-coordinated thread for a finished appearance
- Heavy-duty aluminum headrail with stainless steel pantograph system ensures smooth operation, and proportional spacing of vanes
- Available as both inside and outside mount
- Stems are removable for easy replacement in the home

## Vane Styles and Information: Sheer Vertical Blinds

Collection Name	Color to Streetside	Light Control
<b>Sheer</b>		
Akbar	Same front and back	Sheer/room darkening
Edon	Same front and back	Sheer/room darkening
Illuminate	Same front and back	Sheer/room darkening
Impressions II	Same front and back	Sheer/room darkening
Kobe	Same front and back	Sheer/room darkening

## Light Control Levels

**Sheer:** Allows light to enter the room where light control and privacy are not a concern. Objects in the room can be seen quite clearly through blinds.

**Room Darkening\*:** Significantly dims light entering the room. Deeper fabric colors offer more light control and moderate privacy.

\*These fabrics are translucent and their colors may be influenced by changing light conditions. Colors may appear to vary depending upon the time of day and type of lighting, as well as whether the shade is partially or fully closed or open.

# Features

## Fabric and Vinyl Vertical Blinds

- Choose from a variety of crown or S-shaped vinyl vanes
- Many vinyl styles coordinate with Bali® 2" Custom Vinyl Horizontal Blinds
- Choose fabric vanes for a softer look; insert into channel panel for more light control and privacy
- Several fabric styles coordinate with Bali Pleated Shades and Bali Roller Shades
- Choice of headrails

## Vane Styles and Information: Fabric and Vinyl Vertical Blinds

Collection Name	Color to Streetside	Light Control	Available with Channel Panel	Flame Resistant NFPA 701	Coordinates with
<b>Fabric</b>					
Cascade*	Same front and back	Sheer/light filtering	Yes		Roller shades
Fiddlestix*	Same front and back	Light filtering	Yes		Roller shades, pleated shades
Keepsake*	White	Room darkening			
Linen*	Neutral	Light filtering	Yes		Roller shades
Monroe*	Same front and back	Sheer/light filtering	Yes		
Panorama*	White	Room darkening			Roller shades
Runway	Same front and back	Light filtering/room darkening	Yes		Roller shades
Shoreline*	Same front and back	Sheer/light filtering	Yes		Roller shades
Spencer**	Same front and back	Light filtering	Yes	Yes	Pleated shades
Thatch*	Neutral	Light filtering	Yes		Roller shades
Tufte*	Same front and back	Sheer/light filtering	Yes		Pleated shades
<b>S-shaped Vinyl</b>					
Buckskin	Neutral	Room darkening		Yes	2" vinyl
Lighthouse	Neutral	Room darkening		Yes	
Pembrook	Neutral	Room darkening		Yes	2" vinyl
Presidential	Neutral	Room darkening		Yes	2" vinyl
Quatico	Neutral	Room darkening		Yes	2" vinyl
<b>Crown Vinyl</b>					
Alexandria	Neutral	Room darkening		Yes	
Americana	Neutral	Room darkening		Yes	2" vinyl
Channel Panel	Same front and back	Room darkening	Yes		
Dazzle	Neutral	Room darkening		Yes	2" vinyl
Dorado	Neutral	Room darkening		Yes	
Estate	Neutral	Room darkening		Yes	
Foundations	Neutral	Room darkening		Yes	2" vinyl
Laguna	Neutral	Room darkening		Yes	
Nevada	Neutral	Room darkening		Yes	
Parisian	Neutral	Room darkening		Yes	
Premium Faux Wood	Same front and back	Room darkening		Yes	Premium faux wood
Quinn	Neutral	Room darkening		Yes	
Sequoia	Neutral	Room darkening		Yes	2" vinyl
Stucco	Neutral	Room darkening		Yes	

\*Oeko-Tex® Fabric

\*\*Flame Resistant NFPA 701

## Light Control Levels

**Sheer:** Allows light to enter the room where light control and privacy are not a concern. Objects in the room can be seen quite clearly through blinds.

**Room Darkening\*:** Significantly dims light entering the room. Deeper fabric colors offer more light control and moderate privacy.

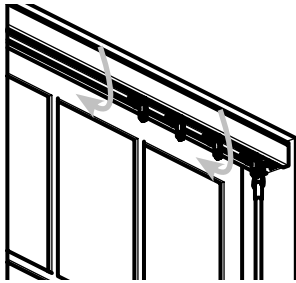
**Light Filtering\*:** Gently diffuses incoming light to provide some light control and moderate privacy.

\*These fabrics are translucent and their colors may be influenced by changing light conditions. Colors may appear to vary depending upon the time of day and type of lighting, as well as whether the shade is partially or fully closed or open.

# Features

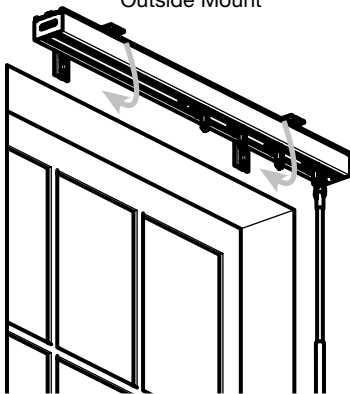
## Installation Types

Inside/Ceiling Mount



1. Inside Mount—Ceiling or Top of Window Frame (standard)  
Up to a 5/8" manufacturing height deduction is taken for blinds being installed as inside, ceiling mount without a valance.
2. Inside Mount—Wall or Back of Window Frame  
A 1 1/8" manufacturing height deduction is taken for blinds being installed as inside mount using the L-bracket for a wall mount. An additional 1/4" manufacturing height deduction is taken if a valance is included, to accommodate the height of the valance clip.
3. Outside Mount—Wall or Back (standard)  
No manufacturing height deduction is taken.
4. Outside Mount—Ceiling or Top (option)  
No manufacturing height deduction taken.

Outside Mount



## Oeko-Tex® Standard 100 Certified Fabrics

Oeko-Tex Standard 100 certifies that our fabrics are free of PVC, halogen, lead, formaldehyde, allergenic dyes, pesticides, phenols, heavy metals, and meet all VOC content limits.

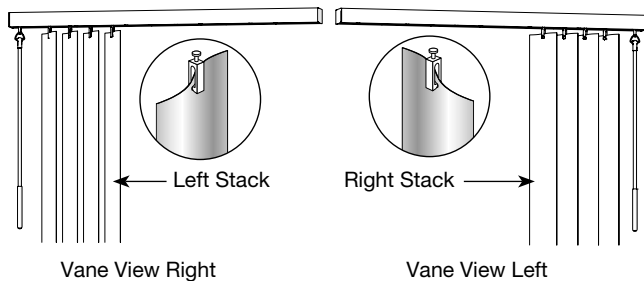
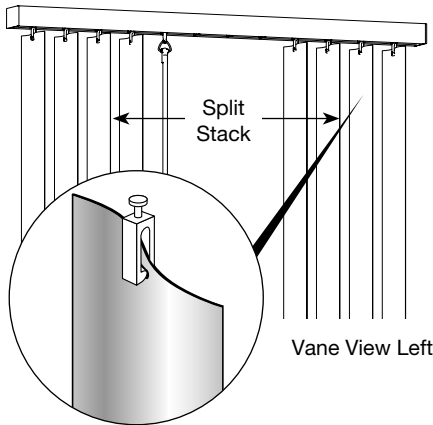
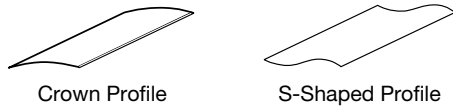


## NFPA 701

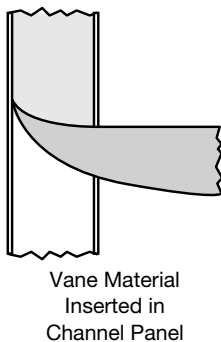
NFPA 701 Flame resistance test, the standard method of fire tests for flame propagation of textiles and films by the National Fire Protection Agency.

# Features

## Vane Features



**Vane View:** Side the color or texture is facing when vanes are rotated open so you can see through the vanes to the street.



### Vinyl Styles

- All vinyl vanes offer value, durability, easy cleaning and superior light control
- Choose from embossed or smooth crown or S-shaped
- Embossed vinyl vanes
- Embossed textures offered in solids or prints with the look of jacquard or linen fabrics, wood, or stucco
- Coordinating 2" horizontal vinyl blinds available for many styles
- For pricing on 2" horizontal vinyl, see the 2" horizontal vinyl product information guide

### Vinyl Crown Vanes

- Traditional curved vanes

### Vinyl S-Shaped Vanes

- Provide a more drapery like look to your vertical blind
- Provide better closure for more light control and privacy
- Valances are made with crown PVC of the same texture and color; dye lot cannot be guaranteed
- S-shaped vanes are not reversible; you must order either right or left vane view; our recommendation for vane view (which side the color/texture is facing when vanes are rotated open so you can see through the vanes out the window) is:
  - Right stack and split stack—left
  - Left stack—right
- For bay, or corner blinds, all blinds need to be ordered with the same vane view

See illustrations on how S-shaped vanes will hang.

### Fabric Vanes

- Designer fabric vane styles range from sheer to room darkening in a variety of weaves and materials
- Free-hanging vanes come with sewn-in bottom weights
- For increased privacy and room darkening, fabric vanes can be inserted into Stay-Clear™ channel panels; the clear edge channels hold fabric securely and will not yellow over time; the opaque vinyl vanes provide additional privacy and light control; see price charts for replacement pricing
- Coordinating pleated, roller shade fabric, and sliding panels are available for selected styles
- Available in 3½" fabric styles

### Additional Information


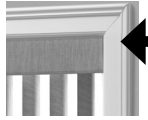
1. Due to the nature of vane materials (both fabric and vinyl prints), colors may vary slightly from dye lot to dye lot. Exact matches cannot be guaranteed.
2. Due to the random design of some vane patterns, exact alignment of the pattern across the blind is not possible.

# Size Considerations

## Sheer Enchantment® Vertical Blinds

One Touch			
Width		Height	
Min (inches)	Max (inches)	Min (inches)	Max (inches)
17	144	19	104

## Depth Requirements for Inside Mount: Sheer Enchantment Vertical Blinds

 <p>Partially recessed headrail in window casing/molding</p> <p><b>Minimum Depth Partially Recessed Mount (inches)</b></p>	<p><b>Depth Needed for Flush Mount Headrail (inches)</b></p>	<p><b>Depth needed for Flush Mount Vane (inches)</b></p>	 <p>Fully recessed headrail in window casing/molding</p> <p><b>Depth needed for Flush Mount Valance (inches)</b></p>
2 <sup>3</sup> / <sub>8</sub>	3	3 <sup>3</sup> / <sub>4</sub>	6 <sup>5</sup> / <sub>8</sub>

**Partially Recessed:** A partially recessed window treatment is where the depth of the window casing is less than the space necessary for a flush mount.

**Flush Mount:** If the window casing is deep enough to mount the entire blind inside of it, this is called a flush mount.

## Fabric and Vinyl Vertical Blinds

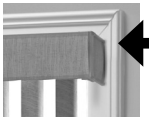
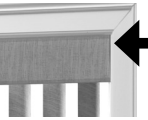
	Width			Height	
	Minimum Single Stack (inches)	Minimum Split Stack (inches)	Maximum (inches)	Minimum (inches)	Maximum (inches)
One Touch®	17	N/A	144	12	104

### Factory Deductions

Mount	Mount Bracket Location	Valance	Height Deduction Magnum (inches)	Height Deduction DuraLite (inches)
Outside	All types	Yes/no	0	0
Inside	Ceiling or top	No	½	½
Inside	Ceiling or top	Yes	¾	½
Inside	Wall or back	No	7/8	7/8
Inside	Wall or back	Yes	1 1/8	1 1/8

Mount	Width Deductions (inches)
Outside	0
Inside	¼

## Depth Requirements for Inside Mount: Fabric and Vinyl Vertical Blinds

	<p><b>Headrail Dimensions (inches)</b></p>	 <p>Partially recessed headrail in window casing/molding</p> <p><b>Minimum Depth Mount (inches)</b></p>	 <p>Fully recessed headrail in window casing/molding</p> <p><b>Flush with Casing (inches)</b></p>	<p><b>Depth Needed for Flush Mount Vane (inches)</b></p>	<p><b>Depth Needed for Flush Mount Valance (inches)</b></p>
Magnum	1 1/8 x 1 3/8	2 3/8	2 11/16	3 3/4	3 3/4
DuraLite	1 1/16 x 1 1/2	2 3/8	2 3/4	3 3/4	3 3/4

# Options

## Sheer Enchantment® Vertical Blinds

See price charts for pricing and/or surcharges. The following is a list of options for Sheer Enchantment Blinds. All options are available in all styles and colors. Limitations will be based on fabric width. See detailed descriptions on the following pages.

### Blind Options—No Charge

- Bay and corner windows
- Round-corner valance
- Double round-corner valance
- Dauphine® valance—standard

### Blind Options—Surcharge

- Wood cornices and valances; see cornice and valance product information guide

## Fabric and Vinyl Vertical Blinds

See price charts for pricing and/or surcharges. The following is a list of options for vertical blinds. All options are available in all styles and colors. See detailed descriptions on the following pages.

### Blind Options—No Charge

- Bay and corner windows
- Cut-outs
- Paired blinds
- Projection bracket: 4 $\frac{5}{8}$ "
- Square-corner valance
- Stay-Clear™ channel panels

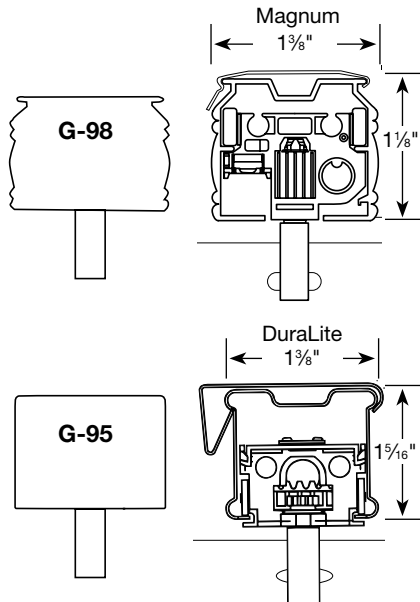
### Specialty Shape Options

- Angled top

### Options—Surcharge

- Round-corner valance
- Double round-corner valance
- Wood cornices and valances; see cornices and valance product information guide

## Fabric and Vinyl Vertical Blinds Headrail System



### G-98 Magnum™

The anodized aluminum Magnum headrail system traverses vanes smoothly through the consecutive action of stainless steel pick-up tails. Magnum carriers are wheeled for smooth traversing and are self-aligning.

### G-95 DuraLite™

DuraLite headrails traverse vanes smoothly with a thermoplastic strap system. DuraLite steel headrail is offered in an ivory painted finish. DuraLite carriers are wheeled for smooth traversing.

**NOTE:** The design of all headrails allow for reversible installation, providing versatile placement of controls on either the left or right.



# Options

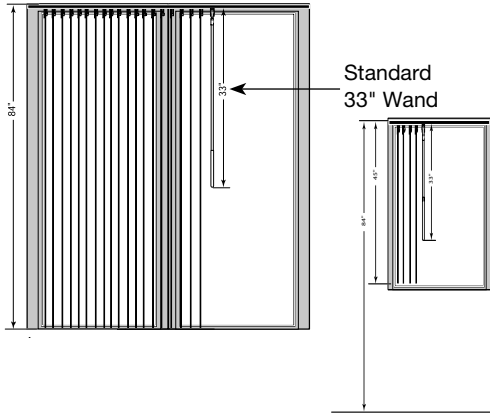
## Control Options



### One Touch® Wand Control—Standard

- **No charge**
- Split draw with wand is available for U.S. only
- A slender wand controls vane rotation and traversing
- Simple, convenient, safe (no cords and chains)
- Recommended for homes with children or pets
- Available as single stack or split stack only; opposite stack not available
- Sheer Enchantment® available as single stack only; no split stack or opposite stack

Width		Height	
Minimum (inches)	Maximum (inches)	Minimum (inches)	Maximum (inches)
9	144	12*	104



### Wands for Blinds Mounted to Floor Level

If the vertical blind covers a patio door or the bottom of the vertical reaches the floor, the following chart indicates wand length. If the headrail distance from the floor is greater than 85" or there is any furniture in front of the blind, specify a 48" or 60" wand for easy accessibility.

Blind Height (inches)	Wand Height (inches)
77 or less*	33
77½ to 92	48
92½ to 96	60

\*If blind is less than 35", wand will be longer than vanes.

### Wands for Blinds Mounted Above Floor Level

Keep in mind that the wand length is determined by the **finished blind height**.

## Stacking Options



Split Stack  
Left Controls  
(right controls available)  
(not available for Sheer Enchantment®)



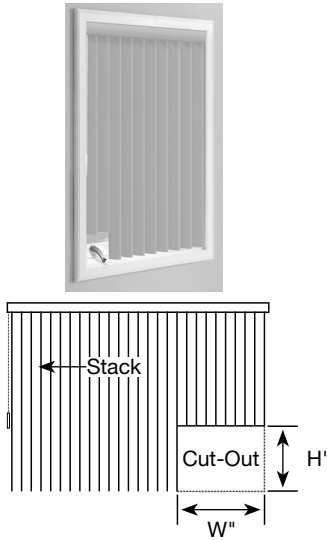
Left Stack  
Same Side Stack  
and Controls



Right Stack Same Side  
Stack and Controls

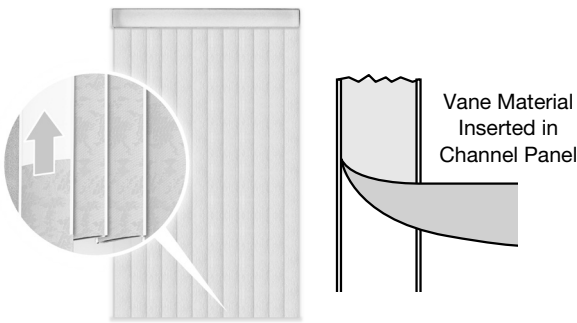
# Options

## Cut-Out Blinds



- **No charge**
- Order when air conditioner, heating register or other object would interfere with vanes
- Blind must stack away from cut-out area
- Specify size and base price by maximum width and height of blind
- Submit drawing to identify size and location of cut-out (see example)
- Minimum cut-out width: 3½"
- Cut-out must be a full vane width and may be wider than ordered
- Not available with Sheer Enchantment®

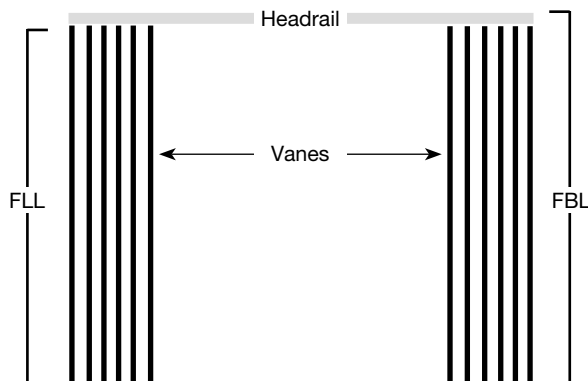
## Stay-Clear™ Channel Panel for Fabric Vanes



- **See surcharge on price charts**
- Vane material inserted into extruded channel panel with clear edges; see blind features for fabric styles available
- Offers improved privacy, room darkening and a neutral color appearance from exterior of window
- Channel panel colors
  - Ivory—7137
  - White—7136
- See appropriate price charts for replacement vane pricing
- Not available with Sheer Enchantment®

## Replacement Vane Ordering

See the column at the far right of each price chart, for individual vane pricing based on material desired.



### How to Measure a Replacement Vane

- Use the price charts for individual vane pricing
- Determine which chart based on material desired
- Locate height of your vane on the left side of the chart
- Use the price on the right side of chart that coincides with the height of vane desired

### How to Measure a Replacement Existing Vane, No Changes

- Measure the vane(s) from tip to tip to determine the exact length/height (FLL)
- No additional deductions will be taken by manufacturing; vanes will be manufactured to the exact size you provide
- Submit the measurement as exact height

### How to Measure a Replacement Existing Vane, Changing the Height of the Vanes

- Measure from top of mounted headrail to bottom of location to be covered
- Record this measurement; this is the finished blind length/height (FBL)
- Manufacturing will take appropriate deduction so vanes will cover desired area

**NOTE:** Free hang fabric vanes include bottom weights.

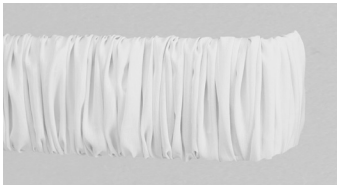
## Options

### Sheer Enchantment® Hem Style



- 4" drapery hem is standard

### Sheer Enchantment Dauphine® Valance



- **No charge**
- Fabric is Shirred for a soft look
- Snap-in brackets for easy installation
- Threader cap provides no-snag shirring of sheer fabric
- Notched for minimum 2½" returns and will extend to 7½" using the additional return slides which are included

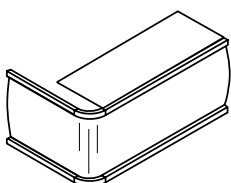


# Options

## Round-Corner Valance



Round-Corner Valance      Double Round-Corner Valance



Round-Corner Valance with Dust Cover

### Outside Mount Only

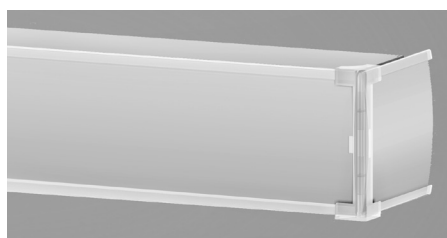
- For surcharge, see price charts
- The round-corner valance system features the Stay-Clear™ channel panel guaranteed not to yellow; accommodates vinyl and fabric vanes as inserts; S-shaped style vanes use matching crown profile for valance insert; includes dust cover
- Also available with Sheer Enchantment®
- Create a layered look with a double round-corner valance
- Both valances include 5½" returns

Maximum Valance Size Limitations				
	Valance		Returns	
	Maximum PVC (inches)	Maximum Fabric (inches)	Minimum (inches)	Maximum (inches)
Square-Corner Valance	191	191	3	8
Round-Corner Valance	171	191	5½	8
Double Round-Corner Valance	171	191	5½	8

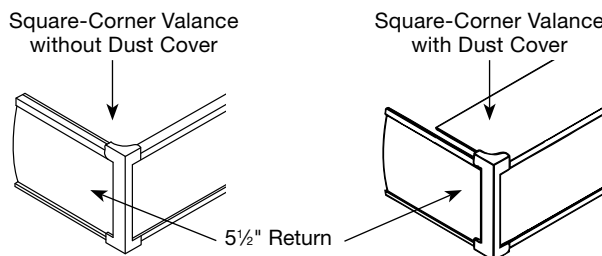
- Round-corner valance height 3¾"
- Double round-corner valance height 6½"

**NOTE:** Top hem of blind will be visible below the round-corner valance.

## Square-Corner Valance



- **No charge**
- The square-corner valance is an extruded vinyl Stay-Clear channel panel, which is sized to hold 3½" wide vane material; it includes two 5½" returns
- Valances greater than 191" must have a dust cover
- Not available with Sheer Enchantment

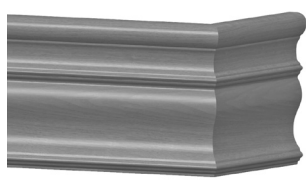


## Additional Options

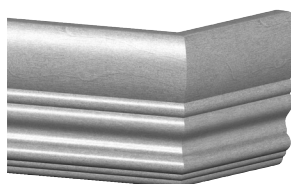
- For pricing, see cornice and valance price charts
- Enhance the beauty of your blind with a decorative valance or cornice



3" Standard Valance



3½" Premium Traditional Valance



¾" Eloquence Valance



5½" and 7½" Regal Wood Cornice

# Options

## Installation Hardware: Vertical and Sheer Vertical Blinds

	G-98 Magnum™	G-85 DuraLite™	Sheer Verticals	
Track Clip for Inside or Ceiling Mount				Dauphine® Valance Bracket 
L-Bracket for Outside or Wall Mount				Dauphine Valance Bracket 
Optional Flat Projection Bracket (NOTE: Attaches to angle bracket with nut/bolt pairs. Must be requested at time of order.)				

## Number of Mounting Brackets: Vertical and Sheer Vertical Blinds

Sheer Verticals: Number of Headrail and Dauphine Valance Mounting Brackets

Blind Width (inches)	17 to 54	54 $\frac{1}{16}$ to 81	81 $\frac{1}{16}$ to 108	108 $\frac{1}{16}$ to 135	135 $\frac{1}{16}$ to 162	162 $\frac{1}{16}$ to 191
Number of Brackets	2	3	4	5	6	7

Magnum G-98 Headrail

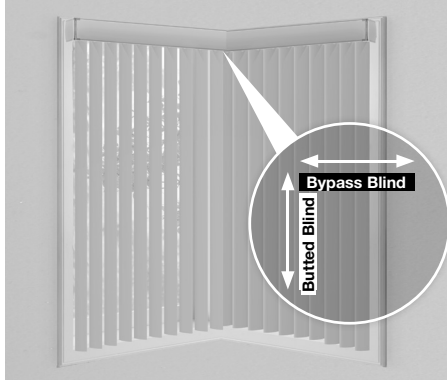
Blind Width (inches)	9 to 50	50 to 90	91 to 130	131 to 170	171 to 191
Number of Brackets	2	3	4	5	6

DuraLite G-85 Headrail

Blind Width (inches)	9 to 62	63 to 98	99 to 134	135 to 170	171 to 178 $\frac{3}{4}$
Number of Brackets	2	3	4	5	6

# Options

## Bay and Corner Windows

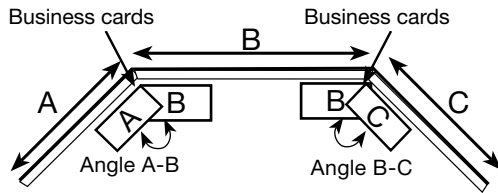


- No additional charge
- In order to minimize corner gaps, we recommend having the wand on the non-corner side of the tracks
- Square-corner valance with dust cover only
- Each blind is controlled separately
- List each track width and height on separate lines
- Price as separate blinds
- If no deductions are required, do not order as bay or corner
- Not available with cornices
- Not available with sheer verticals

### Measuring Information

#### Corner Window

Measure: Width of each window from corner to the point you would like to cover and indicate which is the butted blind and bypass blind.



#### Three-Sided Bay Window

Measure:

A and C: Width of side windows from the corners to the point you would like the blind to cover.

B: Width of the center window from corner to corner.

Angle A-B: Angle between windows (A) and (B).

Angle B-C: Angle between windows (B) and (C).

#### Four-Sided Bay Window

Measure:

A and D: Width of side windows from the corners to the point you would like the blind to cover.

B and C: Width of each window from corner to corner.

Angle A-B: Angle between windows (A) and (B).

Angle B-C: Angle between windows (B) and (C).

Angle C-D: Angle between windows (C) and (D).

#### Five-Sided Bay Window

Measure:

A and E: Width of side windows from the corners to the point you would like the blind to cover.

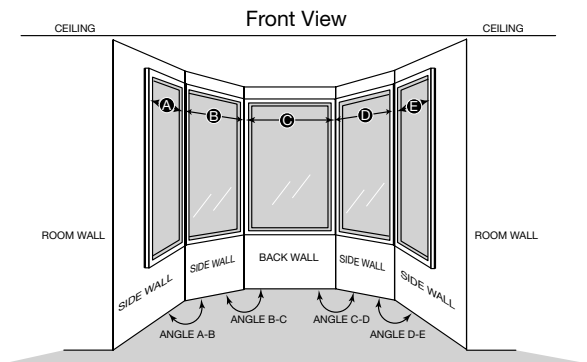
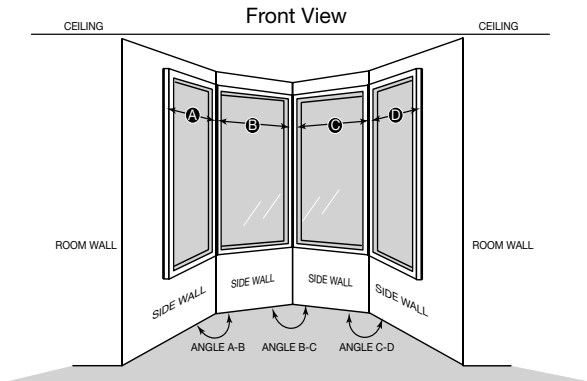
B, C, and D: Width of each center window from corner to corner.

Angle A-B: Angle between windows (A) and (B).

Angle B-C: Angle between windows (B) and (C).

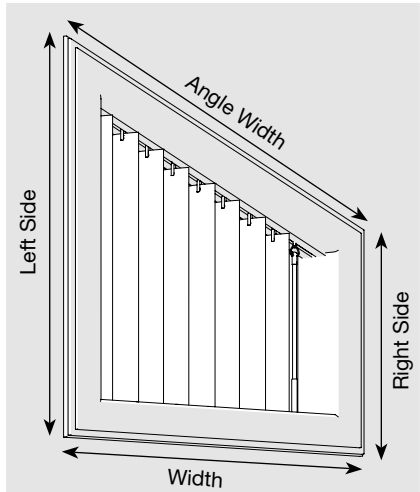
Angle C-D: Angle between windows (C) and (D).

Angle D-E: Angle between windows (D) and (E).



# Options

## Specialty Shapes: Angled Window Headrail



- For surcharges, see price charts
- Ideal for sloping, cathedral-type windows
- Vane stack must be at the highest point of the window
- Steepest slope possible is 55°
- One Touch available as tilt only, no traverse. Control must be on lowest point of window
- Maximum size: 144" wide x 144" long, depending on angle
- Minimum low end is 6"
- Available on Everglide® Headrail only
- Square-corner valance with dust cover only; must be mitered at time of installation
- Not available with Sheer Enchantment®

## Measuring Angled Window Outside Mount

1. Measure exact width and height of the area to be covered. It is recommended that blinds overlap window frame or opening by 1½" on each side.
2. Measure height of the opening on the left side and mark this dimension "left". Allow for overlap as desired: 1½" on the top and bottom is recommended.
3. Measure height of opening on right side and mark this dimension "right". Allow for the same overlap as left side.
4. Factory will determine the angle from these three dimensions.

# General Information

## Sheer Enchantment® Vertical Blinds Vane Stacking Chart: Outside Mount One Touch

# of Vanes	Single Stack		Split Stack	
	CO (in.)	FBW (in.)	CO (in.)	FBW (in.)
5				
6	14%	19%	11½	17
7	17½	22¾		
8	20%	25%	16%	23¼
9	22¾	29		
10	25%	32%	21¼	29%
11	28%	35%		
12	30%	38½	27	35%
13	33%	41%		
14	36%	44¾	32%	42%
15	38%	47%		
16	41%	51	37¼	48½
17	44	54¼		
18	46%	57%	43	54%
19	49%	60½		
20	52	63%	48¼	61
21	54%	66%		
22	57%	70	53%	67%
23	60	73%		
24	62%	76¼	58%	73%

# of Vanes	Single Stack		Split Stack	
	CO (in.)	FBW (in.)	CO (in.)	FBW (in.)
25	65¼	79%		
26	67%	82½	64¼	80
27	70%	85%		
28	73¼	88%	69½	86¼
29	75%	92		
30	78%	95%	74%	92½
31	81¼	98¼		
32	83%	101%	80¼	98%
33	86½	104%		
34	89%	107¾	85½	105%
35	91¼	110%		
36	94½	114	90¼	111%
37	97%	117%		
38	99%	120%	96%	117%
39	102%	123½		
40	105%	126%	101%	124
41	107¾	129¼		
42	110%	132%	106%	130¼
43	113	136		
44	115¼	139¼	112	136%

# of Vanes	Single Stack		Split Stack	
	CO (in.)	FBW (in.)	CO (in.)	FBW (in.)
45	118%	142%		
46	121	145½	117%	142%
47	123%	148%		
48	126%	151¼	122¼	149¼
49	129	155		
50	131%	158%	128	155½
51	134¼	161¼		
52	137	164%	133¼	161¼
53	139%	167½		
54	142¼	170%	138%	168%
55	144%	173%		
56	147%	177	143%	174%
57	150%	180%		
58	152%	183¼	149%	180%
59	155½	186%		
60	158¼	189%	154½	187
61	159%	191		
62			157%	191

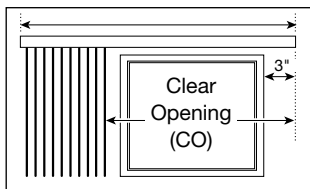
CO = Clear Opening      FBW = Finished Blind Width      FBW – CO = Stack

## Sheer Enchantment® Vertical Blinds Suggested Color Coordination

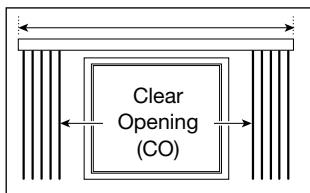
Fabric Name	Fabric Content	Color Name	Color Number	Recommended Vane, Bead Chain, and Cord Weight Color
Edon	100% polyester	Cream	2222	Ivory
		Pearl	2221	White
		Snow	2220	White
Illuminate	100% polyester	Champagne	1720	Ivory
		Snow White	1724	White
		White	1725	White
Impressions II	100% polyester	Marble	1740	Ivory
		White	1741	White
		Winter	1742	White
Kobe	100% polyester	Marble	2080	Ivory

## Clear Opening: How to Measure for Uncovered Window: Fabric and Vinyl Vertical Blinds

Stack Left Finished Blind Width (FBW)



Split Stack Finished Blind Width (FBW)  
(recommended for balanced appearance)



Determine headrail type and the clear opening width for split stack, stack right or stack left (see diagrams)—the additional 3" shown for privacy is recommended if ordering a right or left stack.

1. Match the clear opening width with dimension found under "CO" column below. For even spacing, round up width measurement to the next size in the stack chart. Split stack will have even numbers of vanes.
2. Order the corresponding dimension found in the "FBW" (finished blind width) column below.

**EXAMPLE:** Stack left—if determined width for clear opening window view is 54", order width needed to provide full unobstructed view is 63".

**NOTE:** For stack right or stack left blinds add an additional 3" to the clear opening before calculating the finished blind width. For One Touch® control see appropriate stacking charts for single stack blinds on the following pages.



# General Information

## Vane Stacking Chart: One Touch® Control (Magnum™ and DuraLite™): Fabric and Vinyl Vertical Blinds

Magnum				
Number of Vanes	Single Stack		Split Stack	
	CO (inches)	FBW (inches)	CO (inches)	FBW (inches)
3	6	9 $\frac{3}{8}$		
4	8 $\frac{1}{4}$	12 $\frac{3}{4}$	6 $\frac{3}{8}$	12 $\frac{1}{2}$
5	11 $\frac{1}{2}$	15 $\frac{3}{8}$		
6	14 $\frac{3}{8}$	19	11 $\frac{3}{8}$	18 $\frac{3}{8}$
7	17 $\frac{1}{2}$	22 $\frac{1}{2}$		
8	20	25 $\frac{1}{4}$	17 $\frac{1}{2}$	24 $\frac{5}{8}$
9	22 $\frac{3}{4}$	28 $\frac{3}{8}$		
10	25 $\frac{1}{2}$	31 $\frac{1}{2}$	23 $\frac{1}{8}$	30 $\frac{3}{8}$
11	28 $\frac{1}{4}$	34 $\frac{1}{2}$		
12	31	37 $\frac{3}{8}$	28 $\frac{1}{2}$	37
13	33 $\frac{3}{4}$	40 $\frac{3}{4}$		
14	36 $\frac{3}{8}$	43 $\frac{3}{8}$	34 $\frac{1}{8}$	43 $\frac{1}{4}$
15	39 $\frac{3}{8}$	47		
16	42 $\frac{1}{2}$	50 $\frac{3}{8}$	39 $\frac{3}{4}$	49 $\frac{1}{2}$
17	45	53 $\frac{1}{4}$		
18	47 $\frac{3}{4}$	56 $\frac{3}{8}$	45 $\frac{1}{4}$	55 $\frac{3}{4}$
19	50 $\frac{3}{8}$	59 $\frac{3}{8}$		
20	53 $\frac{1}{4}$	62 $\frac{1}{2}$	50 $\frac{3}{4}$	61 $\frac{1}{8}$
21	56	65 $\frac{3}{8}$		
22	58 $\frac{3}{4}$	68 $\frac{3}{4}$	56 $\frac{3}{8}$	68 $\frac{1}{8}$
23	61 $\frac{1}{8}$	71 $\frac{1}{8}$		
24	64 $\frac{3}{8}$	75	61 $\frac{1}{8}$	74 $\frac{3}{8}$
25	67 $\frac{1}{8}$	78 $\frac{1}{8}$		
26	70	81 $\frac{1}{4}$	67 $\frac{1}{2}$	80 $\frac{3}{8}$
27	72 $\frac{3}{8}$	84 $\frac{1}{4}$		
28	75 $\frac{3}{8}$	87 $\frac{3}{8}$	72 $\frac{3}{8}$	86 $\frac{3}{4}$
29	78 $\frac{1}{4}$	90 $\frac{1}{2}$		
30	81	93 $\frac{3}{8}$	78 $\frac{1}{2}$	93
31	83 $\frac{3}{4}$	96 $\frac{3}{4}$		
32	86 $\frac{1}{2}$	99 $\frac{3}{8}$	84 $\frac{1}{8}$	99 $\frac{1}{4}$
33	89 $\frac{3}{8}$	103		
34	92 $\frac{1}{2}$	106 $\frac{1}{8}$	89 $\frac{3}{8}$	105 $\frac{1}{2}$
35	94 $\frac{3}{4}$	109 $\frac{1}{8}$		
36	97 $\frac{3}{8}$	112 $\frac{1}{4}$	95 $\frac{1}{4}$	111 $\frac{1}{4}$
37	100 $\frac{3}{8}$	115 $\frac{3}{8}$		
38	103 $\frac{1}{8}$	118 $\frac{1}{2}$	100 $\frac{3}{4}$	117 $\frac{3}{8}$
39	106	121 $\frac{3}{8}$		
40	108 $\frac{3}{4}$	124 $\frac{3}{4}$	106 $\frac{1}{4}$	124 $\frac{3}{8}$
41	111 $\frac{1}{2}$	127 $\frac{3}{8}$		
42	114 $\frac{3}{8}$	131	111 $\frac{3}{8}$	130 $\frac{3}{8}$
43	117 $\frac{1}{8}$	134 $\frac{1}{8}$		
44	119 $\frac{3}{4}$	137 $\frac{1}{8}$	117 $\frac{1}{2}$	136 $\frac{3}{8}$
45	123	140 $\frac{3}{8}$		
46	125 $\frac{3}{4}$	143 $\frac{3}{4}$	122 $\frac{3}{8}$	142 $\frac{3}{4}$
47	128 $\frac{1}{2}$	146 $\frac{3}{8}$		
48	131 $\frac{3}{8}$	150	128 $\frac{1}{2}$	149
49	134 $\frac{1}{8}$	153 $\frac{1}{8}$		
50	136 $\frac{3}{8}$	156	134 $\frac{1}{8}$	155 $\frac{1}{4}$
51				
52			134 $\frac{1}{8}$	156

DuraLite				
Number of Vanes	Single Stack		Split Stack	
	CO (inches)	FBW (inches)	CO (inches)	FBW (inches)
3	6 $\frac{1}{4}$	10 $\frac{3}{8}$		
4	8 $\frac{3}{8}$	13 $\frac{1}{4}$	6 $\frac{3}{4}$	12 $\frac{1}{2}$
5	11 $\frac{1}{2}$	16 $\frac{3}{8}$		
6	14 $\frac{3}{8}$	19 $\frac{1}{2}$	12	18 $\frac{3}{8}$
7	16 $\frac{3}{4}$	22 $\frac{3}{8}$		
8	19 $\frac{3}{8}$	25 $\frac{1}{4}$	17 $\frac{1}{4}$	24 $\frac{3}{8}$
9	22	28 $\frac{3}{8}$		
10	24 $\frac{3}{4}$	32	22 $\frac{3}{8}$	30 $\frac{3}{8}$
11	27 $\frac{3}{8}$	35 $\frac{3}{8}$		
12	30	38 $\frac{1}{4}$	27 $\frac{3}{8}$	37 $\frac{1}{8}$
13	32 $\frac{3}{8}$	41 $\frac{3}{8}$		
14	35 $\frac{1}{4}$	44 $\frac{1}{2}$	33 $\frac{3}{8}$	43 $\frac{3}{8}$
15	37 $\frac{3}{8}$	47 $\frac{3}{8}$		
16	40 $\frac{1}{2}$	50 $\frac{3}{4}$	38 $\frac{3}{8}$	49 $\frac{3}{8}$
17	43 $\frac{3}{8}$	53 $\frac{3}{8}$		
18	45 $\frac{3}{4}$	57	43 $\frac{3}{8}$	55 $\frac{3}{8}$
19	48 $\frac{3}{8}$	60 $\frac{3}{8}$		
20	51	63 $\frac{1}{4}$	48 $\frac{3}{8}$	62 $\frac{1}{8}$
21	53 $\frac{3}{8}$	66 $\frac{3}{8}$		
22	56 $\frac{1}{4}$	69 $\frac{1}{2}$	54 $\frac{1}{4}$	68 $\frac{3}{8}$
23	59 $\frac{1}{4}$	72 $\frac{3}{8}$		
24	61 $\frac{3}{8}$	75 $\frac{3}{4}$	59 $\frac{1}{2}$	74 $\frac{3}{8}$
25	64 $\frac{1}{2}$	78 $\frac{3}{8}$		
26	67 $\frac{1}{8}$	82	64 $\frac{3}{4}$	80 $\frac{3}{8}$
27	69 $\frac{3}{4}$	85 $\frac{3}{8}$		
28	72 $\frac{3}{8}$	88 $\frac{1}{4}$	70	87 $\frac{1}{8}$
29	75	91 $\frac{3}{8}$		
30	77 $\frac{3}{8}$	94 $\frac{1}{2}$	75 $\frac{1}{4}$	93 $\frac{3}{8}$
31	80 $\frac{1}{4}$	97 $\frac{3}{8}$		
32	82 $\frac{3}{8}$	100 $\frac{3}{4}$	80 $\frac{1}{2}$	99 $\frac{3}{8}$
33	85 $\frac{1}{2}$	103 $\frac{3}{8}$		
34	88 $\frac{3}{8}$	107	85 $\frac{3}{4}$	105 $\frac{3}{8}$
35	90 $\frac{3}{4}$	110 $\frac{3}{8}$		
36	93 $\frac{3}{8}$	113 $\frac{1}{4}$	91	112 $\frac{1}{2}$
37	96 $\frac{1}{8}$	116 $\frac{3}{8}$		
38	98 $\frac{3}{4}$	119 $\frac{1}{2}$	96 $\frac{1}{4}$	118 $\frac{3}{8}$
39	101 $\frac{3}{8}$	122 $\frac{3}{8}$		
40	104	125 $\frac{3}{4}$	101 $\frac{3}{8}$	124 $\frac{3}{8}$
41	106 $\frac{3}{8}$	128 $\frac{3}{8}$		
42	109 $\frac{1}{4}$	132	106 $\frac{3}{8}$	130 $\frac{3}{8}$
43	111 $\frac{3}{8}$	135 $\frac{3}{8}$		
44	114 $\frac{1}{2}$	138 $\frac{1}{4}$	112 $\frac{1}{2}$	137 $\frac{3}{8}$
45	117 $\frac{1}{8}$	141 $\frac{3}{8}$		
46	119 $\frac{3}{4}$	144 $\frac{1}{2}$	117 $\frac{3}{8}$	143 $\frac{3}{8}$
47	122 $\frac{3}{8}$	147 $\frac{3}{8}$		
48	125	150 $\frac{3}{4}$	122 $\frac{3}{8}$	149 $\frac{3}{8}$
49	127 $\frac{3}{8}$	153 $\frac{3}{8}$		
50	129 $\frac{3}{8}$	156	127 $\frac{3}{8}$	155 $\frac{3}{8}$
51				
52			127 $\frac{3}{8}$	156

CO = Clear Opening      FBW = Finished Blind Width      FBW - CO = Stack

# General Information

## Sheer Enchantment® Vertical Blinds Product Detail

### Zinc Plated Pantograph Traversing System

- Vanes rotate smoothly and easily as one for a perfectly synchronized appearance

### Mounting Hardware

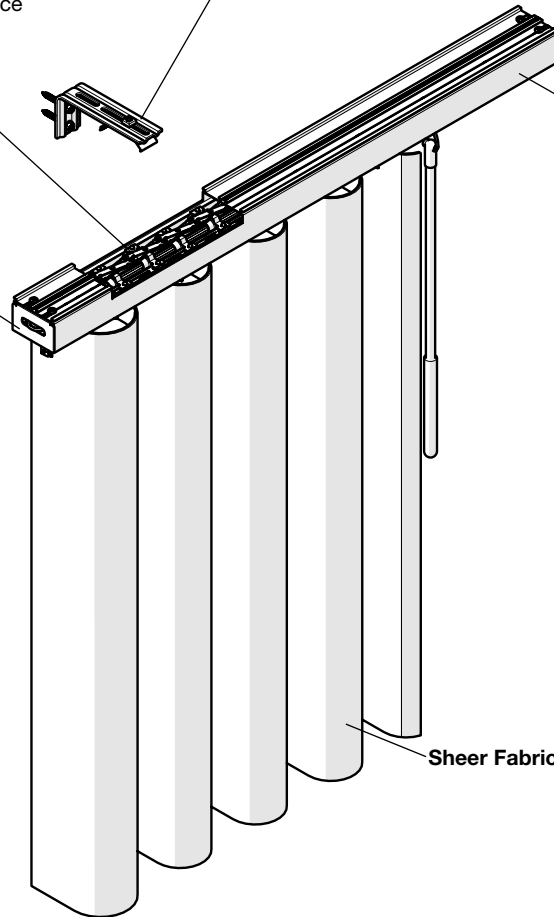


### Aluminum Headrail

- Will not rust
- Perfect for high humidity applications

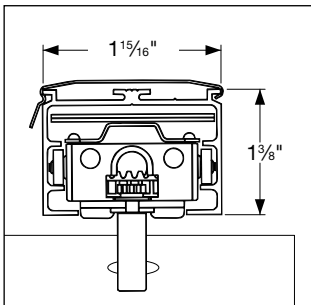
### Fully Enclosed Drive End and Flush End Caps

- Provide a secure fit and clean finish



### Sheer Fabric

Inside Headrail View



Features	Benefits
Easy Install Fabric	Install fabric after headrail installation; to clean, no need to take down entire blind
Skirt Only Option	Change fabric style or color when changing room décor
Washable Fabric	Remove fabric from blind to machine wash
Color Coordinated Thread	For finished appearance

# General Information

## Magnum™ G-98 Headrail Product Detail

### Stainless Steel Carrier Linkage System

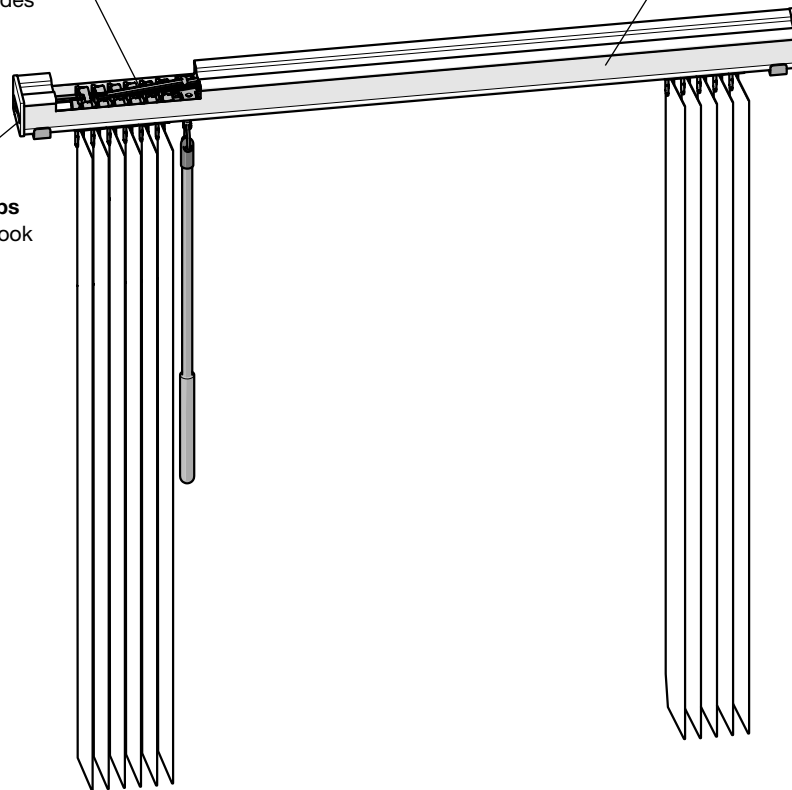
- Narrow carrier width provides reduced vane stack
- Self-aligning carriers for trouble-free operation

### Color Coordinated End Caps

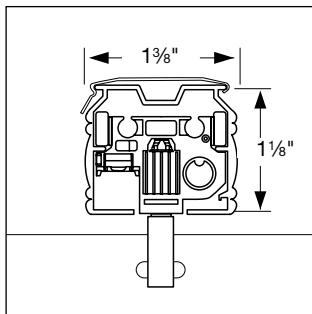
- Provide a clean, finished look

### Aluminum Headrail

- Will not rust
- Perfect for high humidity applications



Inside Headrail View



Features	Benefits
Heavy-Duty Anodized Aluminum Headrail	Will not rust; ideal for high humidity applications
Thin Profile Carriers	Reduced stack
Self-Aligning Carriers	Trouble-free operation
Fully Enclosed Drive and Flush End Caps	Provides a secure fit and clean, finished appearance
Low-Friction Wheeled Carriers	Vanes traverse smoothly
One Touch® Control	Safety and convenience
Centrally Located Carrier Stems and Symmetrical Cord and Chain Control	Headrail reversible for right or left control installation
Clear Nylon Vane Stems	Nearly invisible, yet extremely strong

**NOTE:** Wand control is standard. See control options section for details.

# General Information

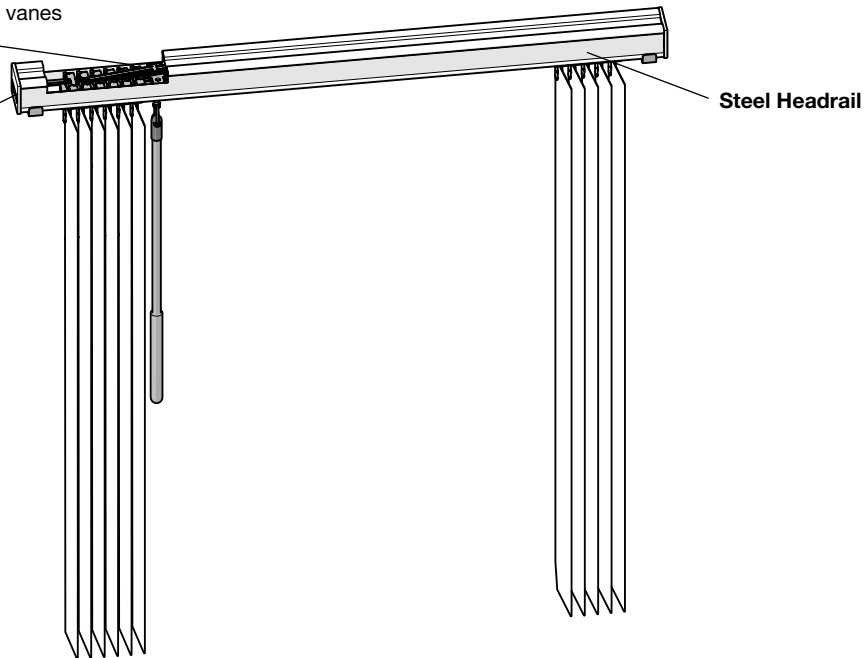
## DuraLite™ G-85 Headrail Product Detail

### Thermolastic Carrier Linkage System

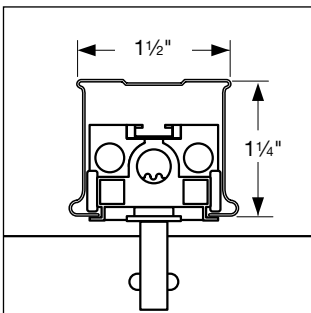
- Provides smooth traversing of vanes

### Color Coordinated End Caps

- Provide a clean, finished look



Inside Headrail View



Features	Benefits
Steel Headrail with Ivory Finish	Provides strength and durability
Wheeled Carriers	Vanes traverse smoothly and easily
Centrally Located Carrier Stems	Headrail is reversible for right or left control position
Clear Nylon Vane Stems	Nearly invisible, yet extremely strong
Optional Stack and Control Positions	Single stack, split stack, opposite stack are available
One Touch® Control (standard)	Safety and convenience

**NOTE:** Wand control is standard. See control options section for details.



Bali is a brand of Springs Window Fashions, the Best Experience Company  
Bali and the Bali logo are registered trademarks of Springs Window Fashions, LLC.

05/24) 24-525801