

Assembly & Instruction Manual

SKU: A359

Gazebo Installation Guide



Version: 20250304

Approximate assembly time: **360 Minutes**

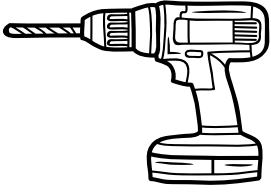
People for assembly:



Save this manual for future reference

INTRODUCTION

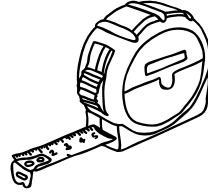
The following tools are not included and needed for assembly



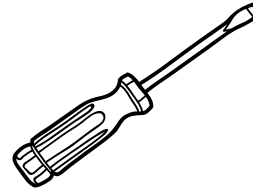
Drill



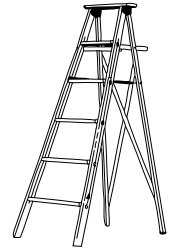
Hammer



Tape



Screwdriver



Stepladder

Note:

1. The gazebo come with 4 carton boxes.
2. Wearing protective gloves is recommended.
3. Do not fully tighten screws prior to complete assembly.



Before You Start



- Please read all instructions carefully.
- Retain instructions for future reference.
- Separate and count all parts and hardware.
- Read through each step carefully and follow the proper order.
- We recommend that, where possible, all items are assembled near to the area in which they will be placed in use, to avoid moving the product unnecessarily once assembled.
- Always place the product on a flat, steady and stable surface.
- Keep all small parts and packaging materials for this product away from babies and children as they potentially pose a serious choking hazard.

Care and Maintenance

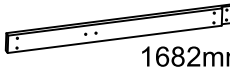



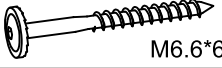

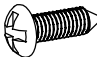
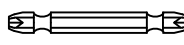

1. Our steel components for garden accessories and furniture are treated with rust inhibiting paint that protects it from rusting. However, due to the nature of steel, surface oxidation (rusting) will occur once these protective coatings are scratched. This is not a defect and thus not covered by the warranty.
2. To minimize this condition, we recommend care when assembling & handling the product to prevent scratching the paint. Should any scratching or damage occur, we recommend immediate touch-up with rust inhibiting paint.
3. Surface rust can also be easily removed with a very light application of common cooking oil. If surface oxidation (rusting) occurs and if no measure is taken to prevent this, the oxidation may start dripping on to deck or patio and caused damaging stains, which may be difficult to remove. This can be prevented if the above-mentioned measures are taken to keep the product from oxidizing.
4. Use damp cloth to wipe off the stains as quickly as possible.
5. If necessary, wash with a mild solution of soap and water; rinse thoroughly and dry completely.
6. Periodically check and ensure that all bolts are well-tighten during use.

PARTS LIST

















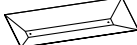

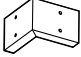
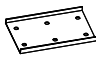



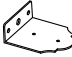






Parts List (Carton Box-1)

Parts	Component	QTY	Ref No	Parts	Component	QTY	Ref No
A		3	8A550-A359-001	A1		1	8A550-A359-002

Parts List (Carton Box-2)


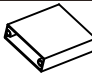
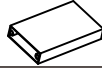

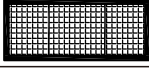


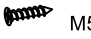








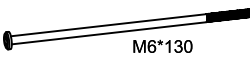

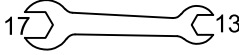



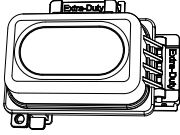
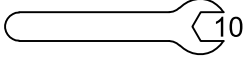
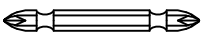
Parts	Component	QTY	Ref No	Parts	Component	QTY	Ref No
B	 1682mm	4	8A550-A359-003	C	 1455mm	4	8A550-A359-004
D		8	8A550-A359-005	T		4	8A550-A359-006
1	 M6.6*68	8	8A550-A359-007	2	 M8*60	16	8A550-A359-008
3		4	8A550-A359-009			1	
		1					

Parts List (Carton Box-3)

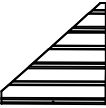
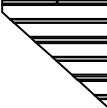
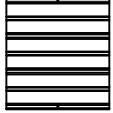
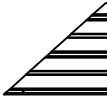
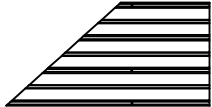

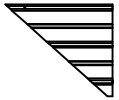



Parts	Component	QTY	Ref No	Parts	Component	QTY	Ref No
E		4	8A380-A359-010	E1		4	8A380-A359-011
E2		6	8A380-A359-012	E3		6	8A380-A359-013
F		4	8A380-A359-014	F1		4	8A380-A359-015
F2		2	8A380-A359-016	G		4	8A380-A359-017
G1		4	8A380-A359-018	H		4	8A380-A359-019
H1		4	8A380-A359-020	H2		2	8A380-A359-021
H3		2	8A380-A359-022	H4		2	8A380-A359-023
H5		2	8A380-A359-024	H6		2	8A380-A359-025
I		1	8A380-A359-026	J		1	8A380-A359-027
K		4	8A380-A359-028	K1		8	8A380-A359-029
L		4	8A380-A359-030	M		4	8A380-A359-031
M1		6	8A380-A359-032	N		7	8A380-A359-033
N1		1	8A380-A359-034	N2		8	8A380-A359-035
O		2	8A380-A359-036	P		4	8A380-A359-037
P1		4	8A380-A359-038	Q		6	8A380-A359-039

PARTS LIST

Parts List (Carton Box-3)

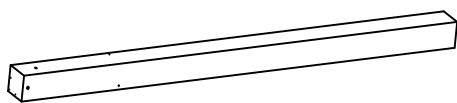
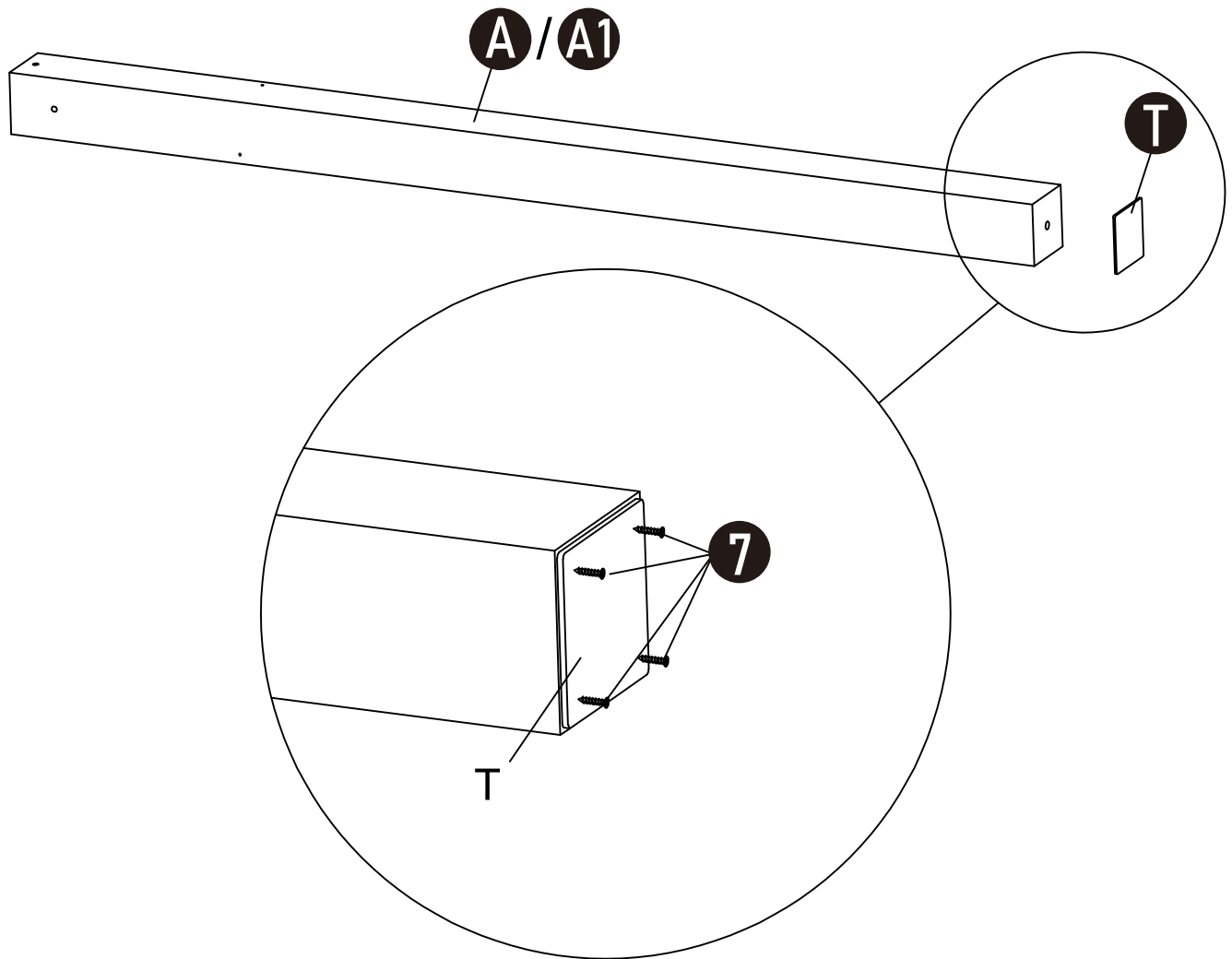
Parts	Component	QTY	Ref No	Parts	Component	QTY	Ref No
Q1		12	8A380-A359-040	R		4	8A380-A359-041
R1		6	8A380-A359-042	S		40	8A380-A359-043
X		1	8A380-A359-044	5	 M10*80	8	8A380-A359-045
6	 M5*25	52+1	8A380-A359-046	7	 M5*20	16	8A380-A359-047
8	 M6*18	106+3	8A380-A359-048	9	 M6*40	36	8A380-A359-049
10	 M6*25	18	8A380-A359-050	11		2	8A380-A359-051
12	 M8*70	8	8A380-A359-052	13	 M8*25	24	8A380-A359-053
14	 M8*141	8	8A380-A359-054	15	 M6	2	8A380-A359-055
16	 M6*130	8	8A380-A359-056	17	 M6*120	12	8A380-A359-057
		1			 4mm	1	
		1				1	
		1				1	
						1	

Parts List (Carton Box-4)

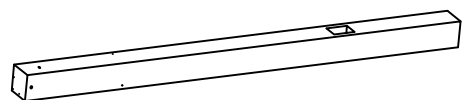
Parts	Component	QTY	Ref No	Parts	Component	QTY	Ref No
W1		4	8A380-A358-058	W2		4	8A380-A358-059
W3		2	8A380-A358-060	U1		4	8A380-A358-061
U2		4	8A380-A358-062	U3		4	8A380-A358-063
U4		4	8A380-A358-064	U5		4	8A380-A358-065
U6		2	8A380-A358-066	U7		4	8A380-A358-067

Assembly

1



A x3



A1 x1



T x4

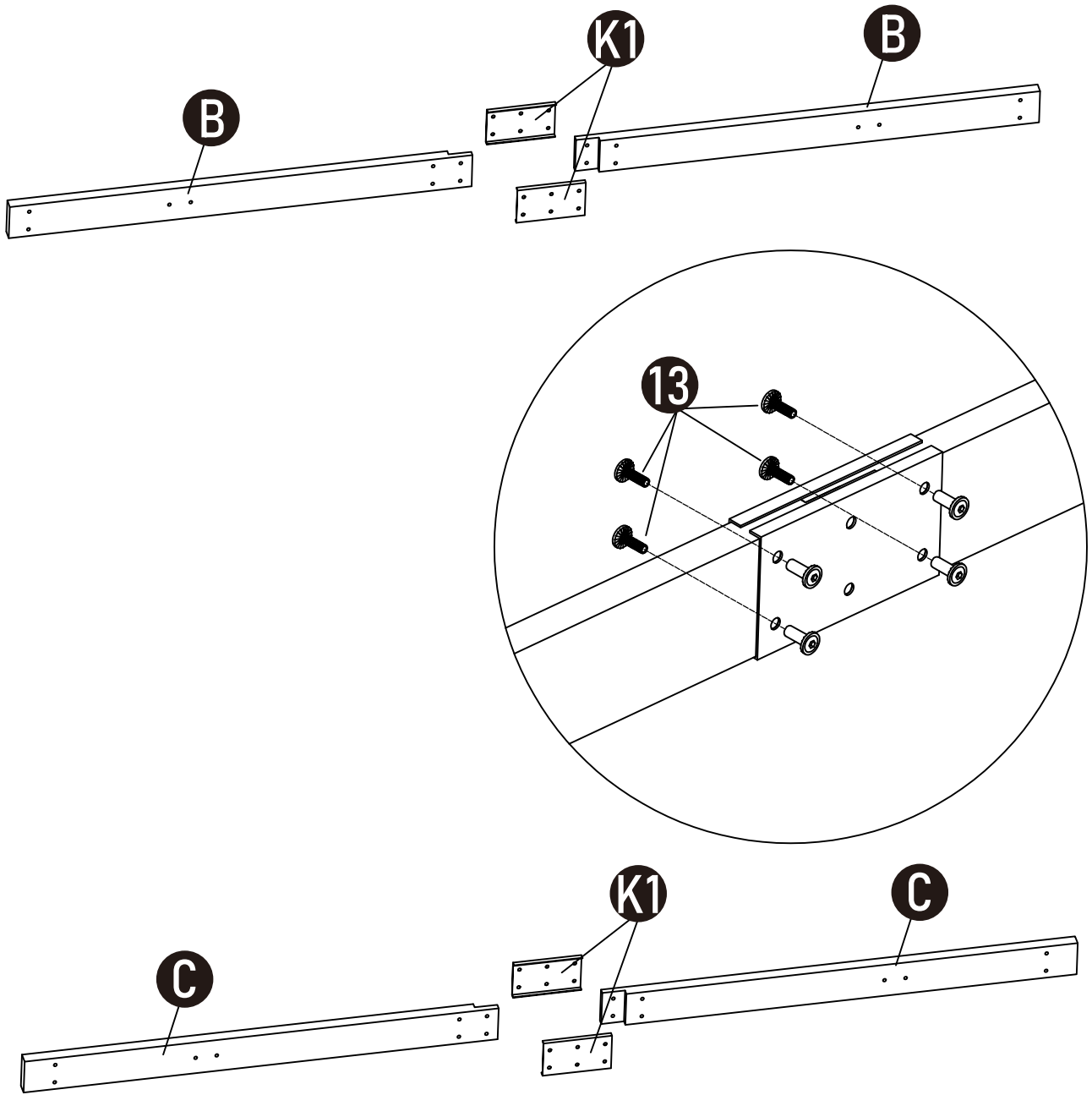


M5*20

7 x16

6

2



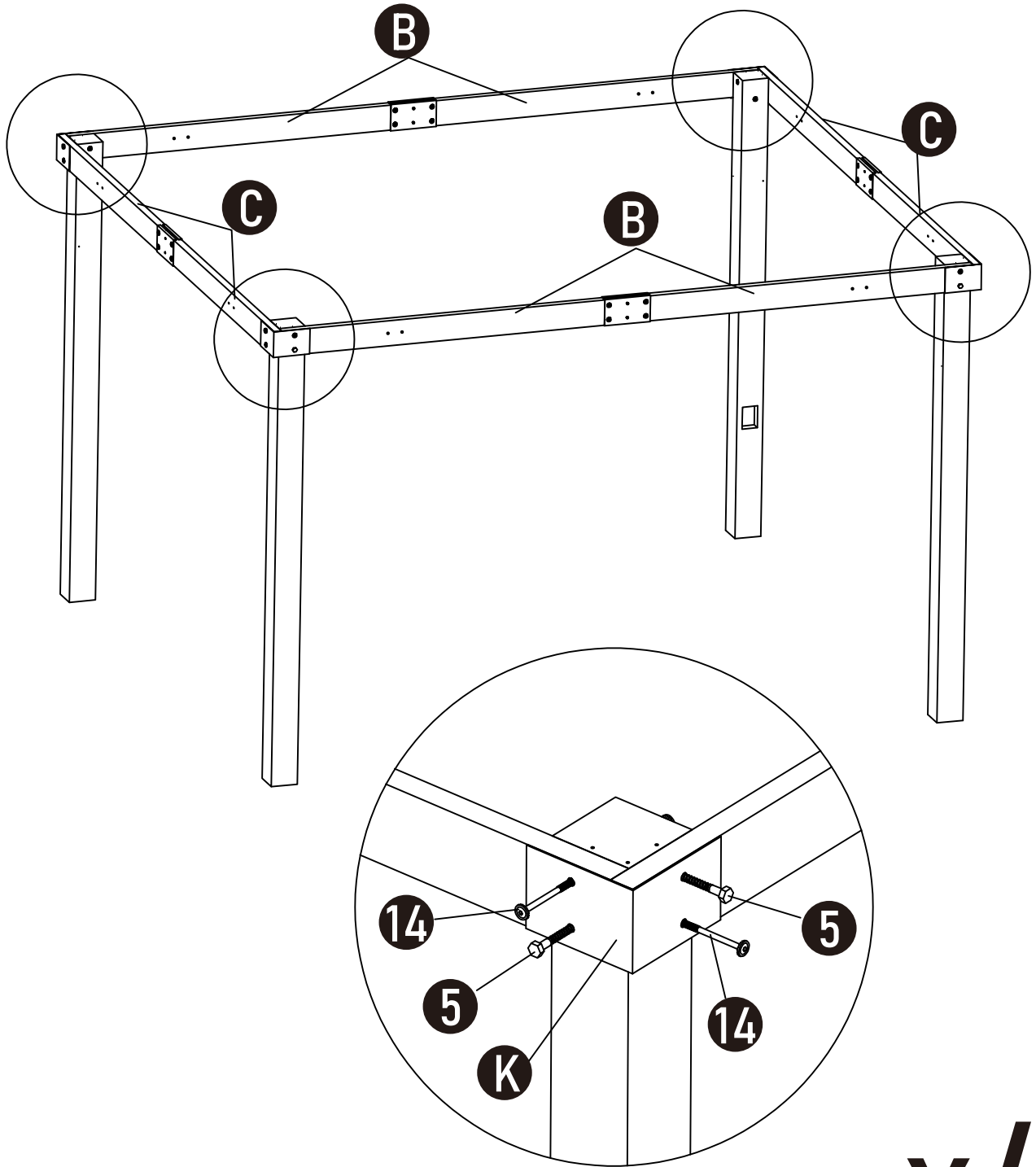
1682mm
B x4

1455mm
C x4

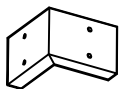
K1 x8

M8*25 M8*25 **13** x16

3



x4

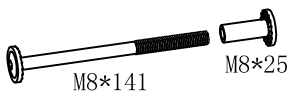


K x4



M10*80

5 x8

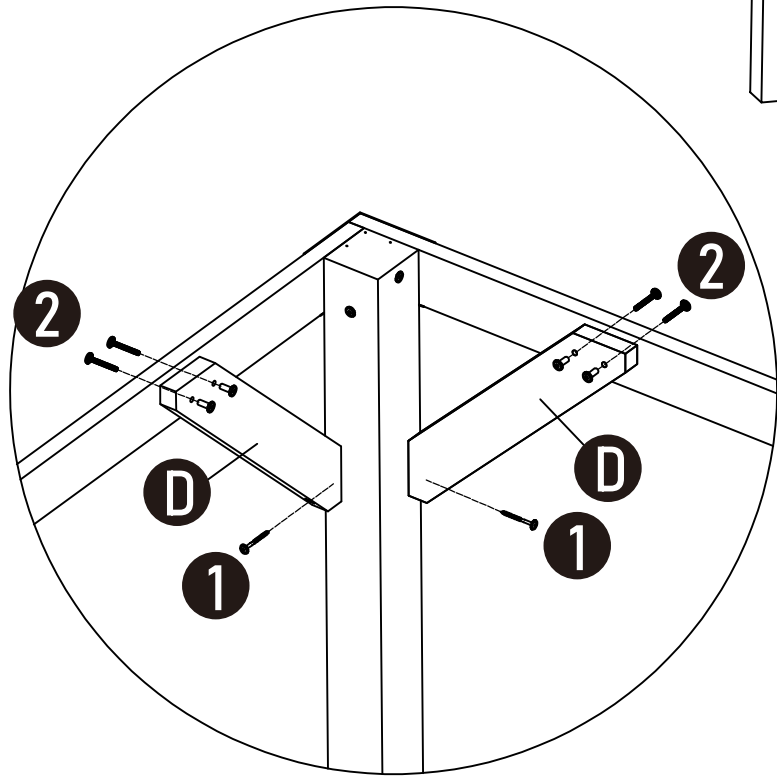
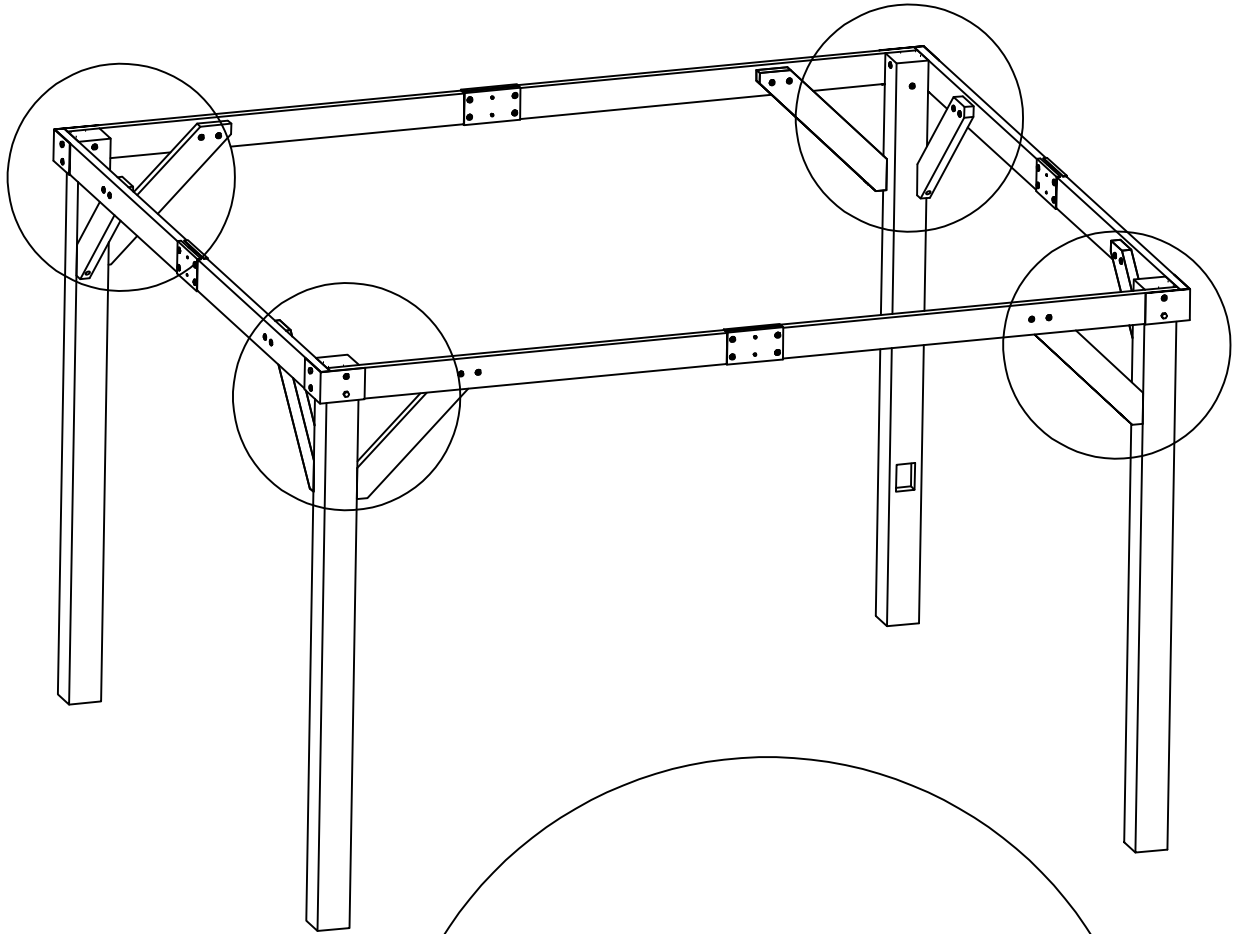


M8*141

M8*25

14 x8

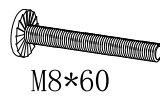
4



x4



D x8

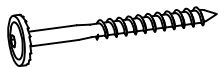


M8*60



M8*25

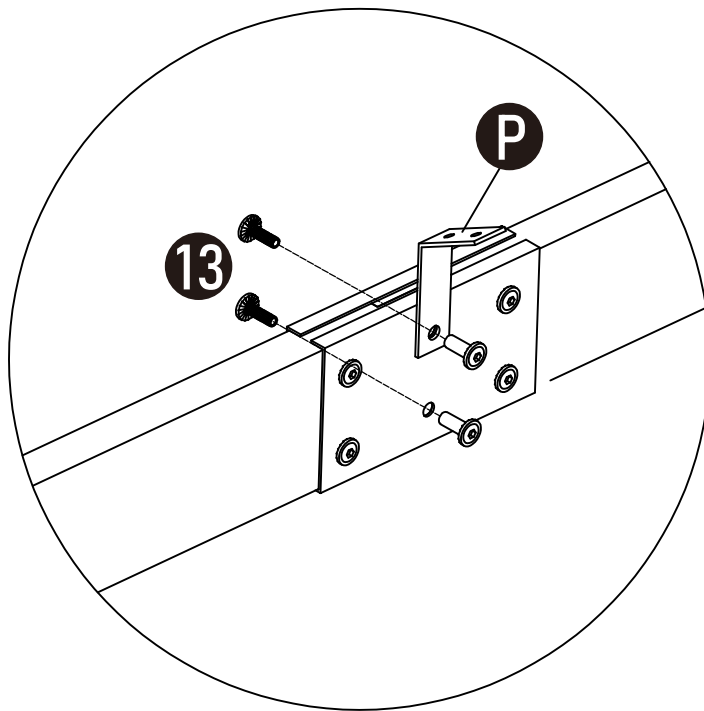
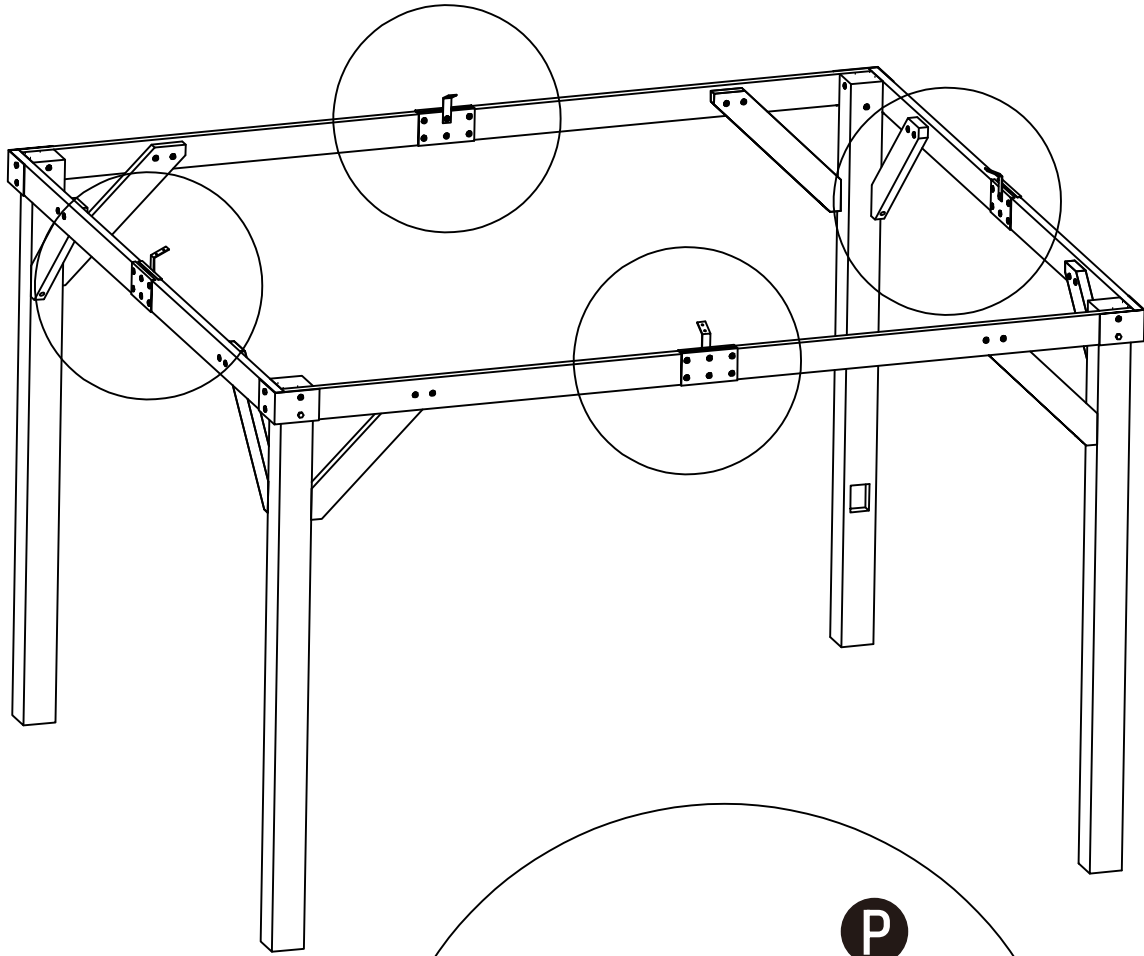
2 x8



M6. 6*68

1 x8

5



x4



P x4



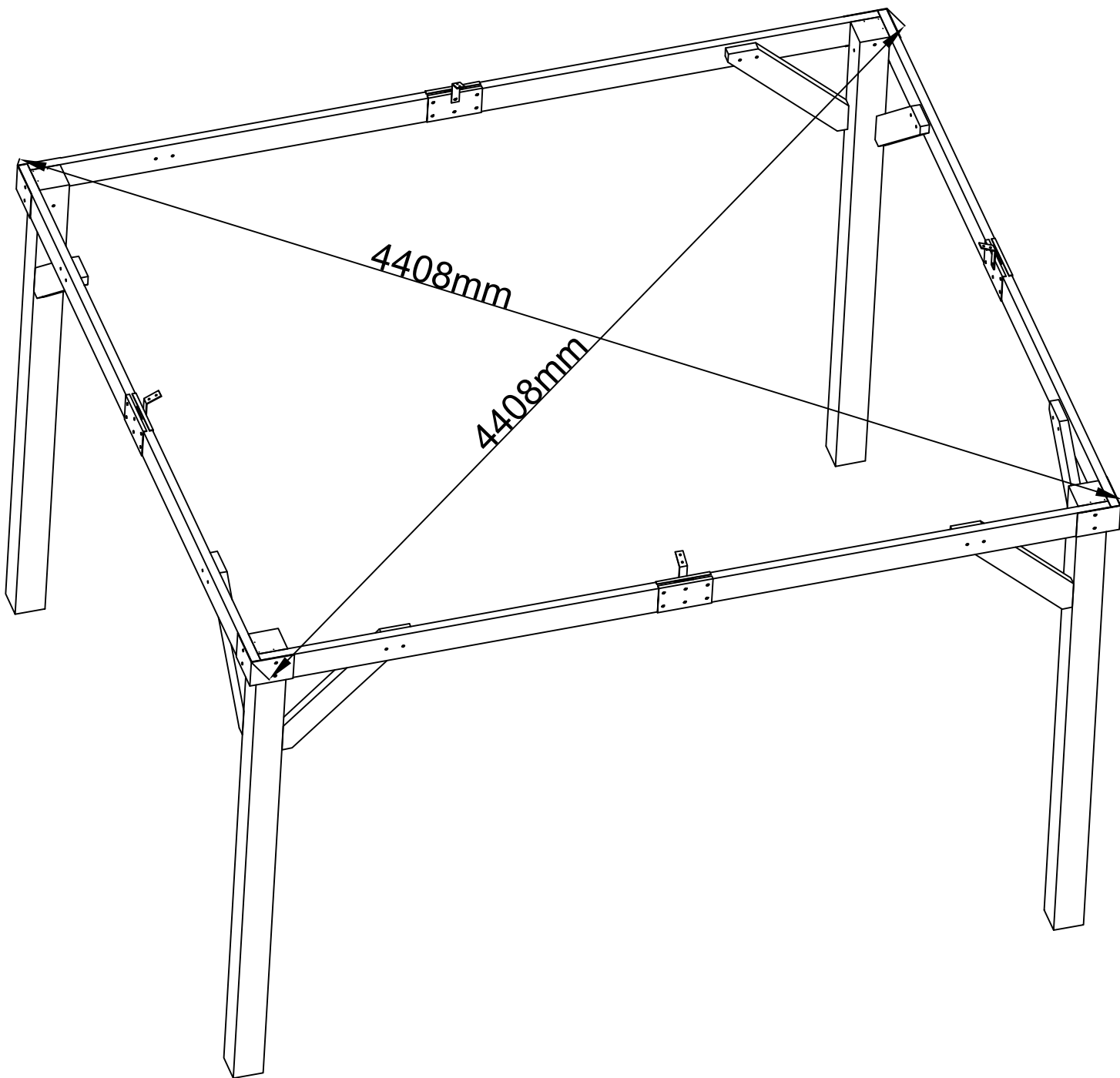
M8*25



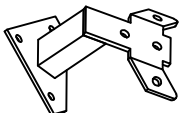
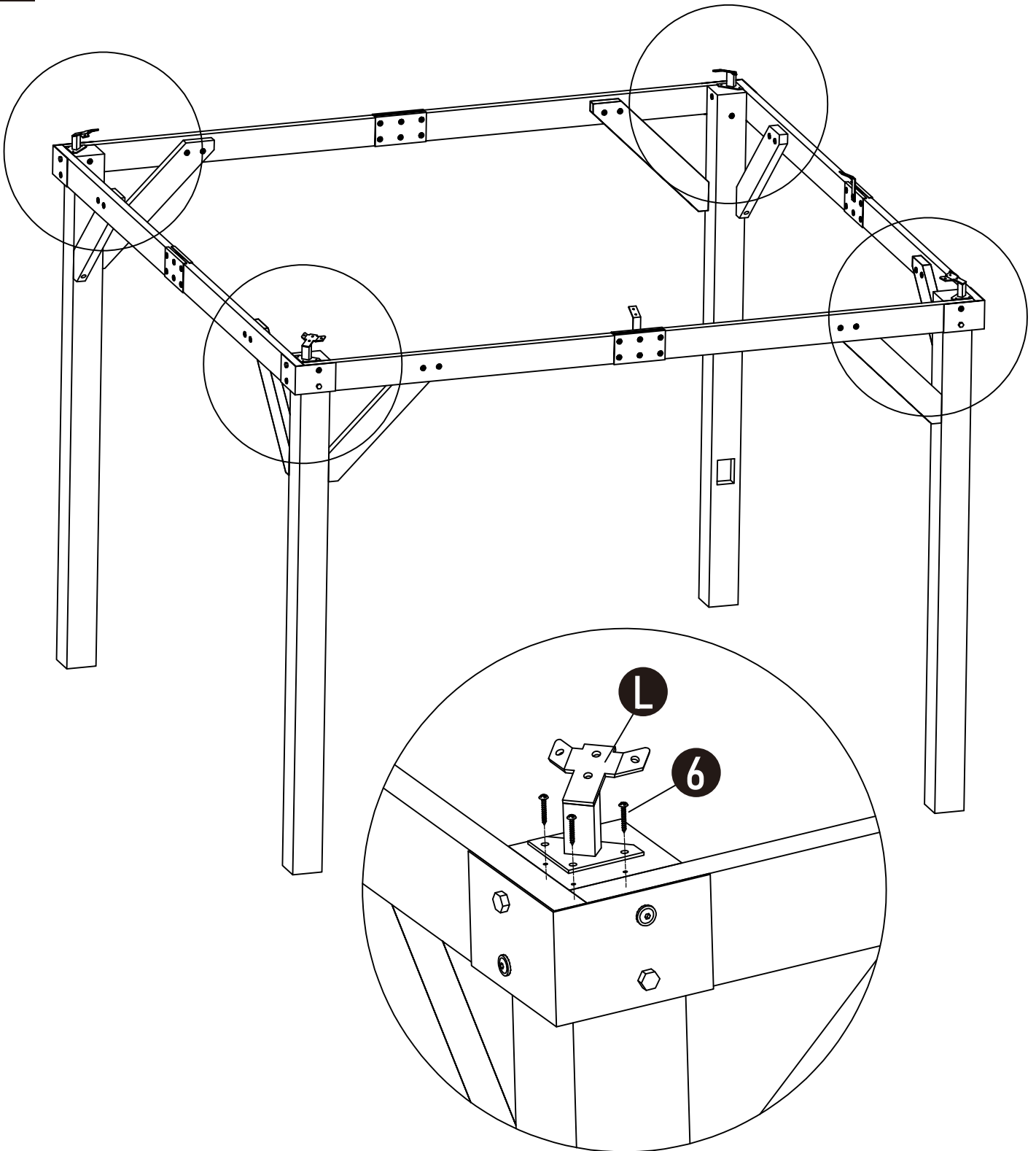
M8*25

13 x12

6



7



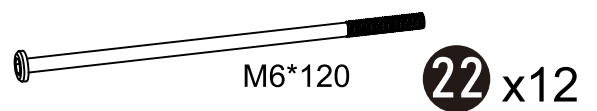
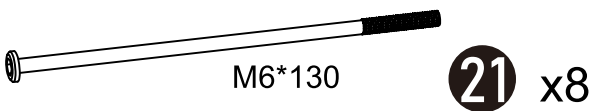
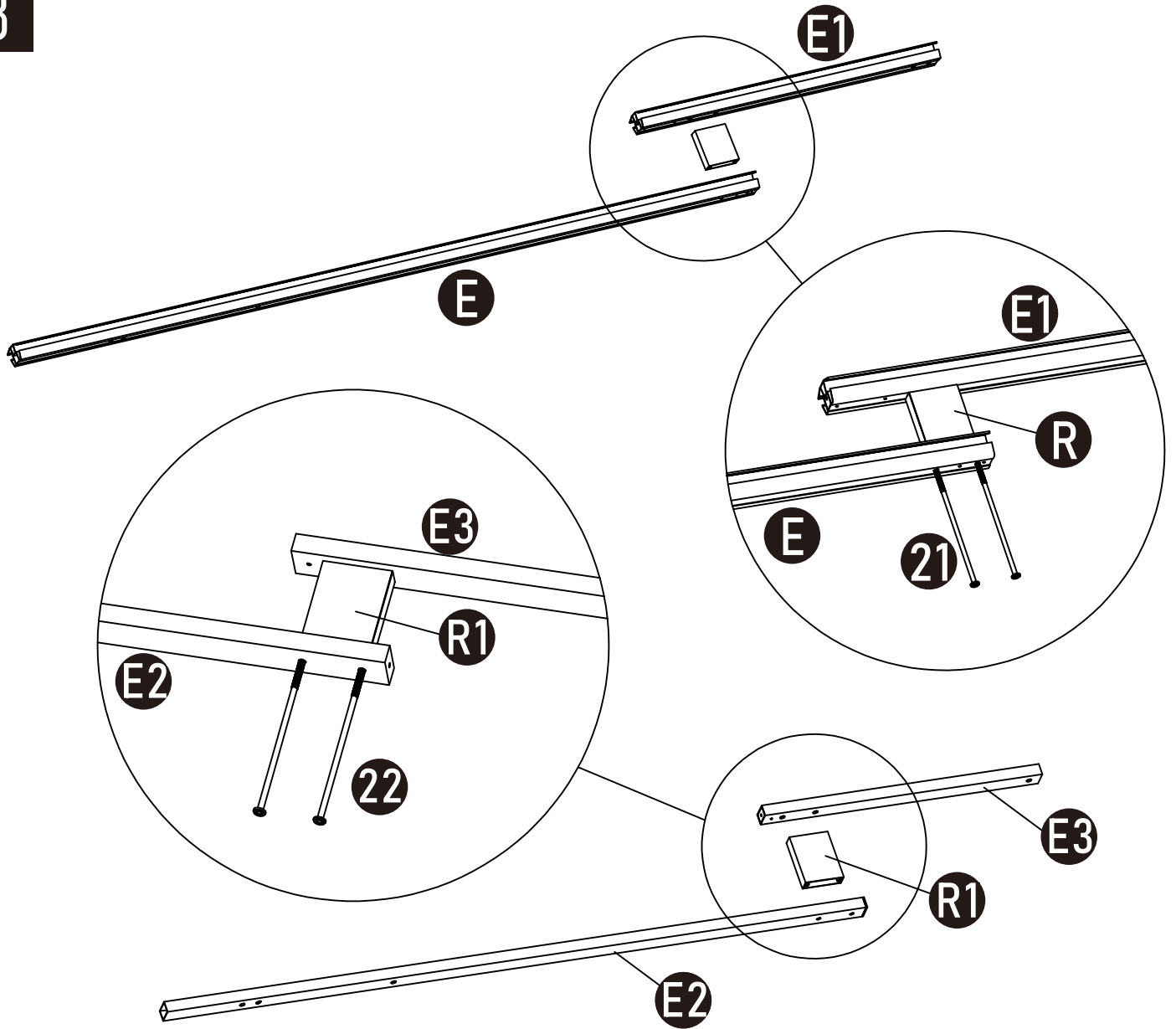
L x4



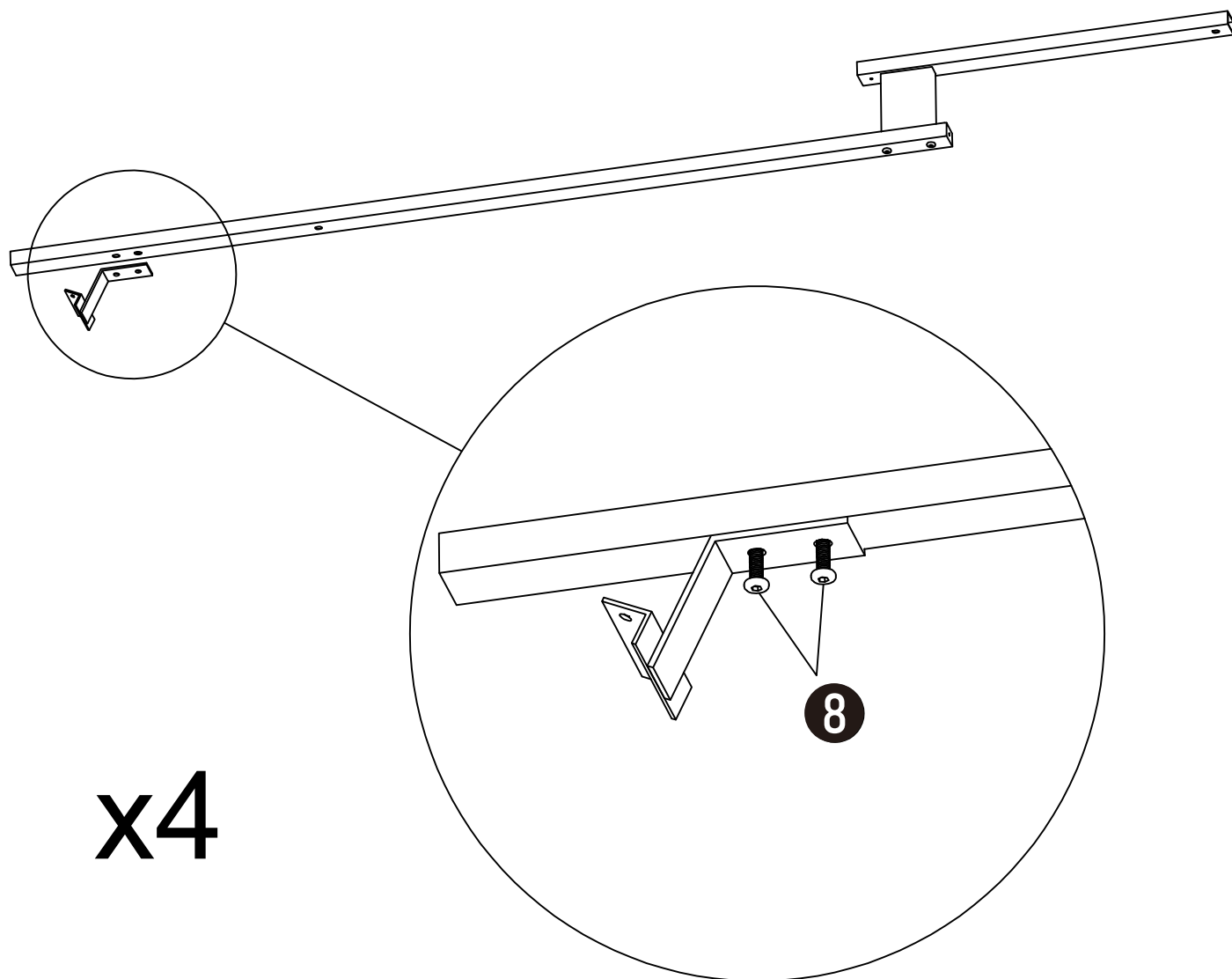
M5*25

6 x12

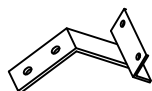
8



9



x4



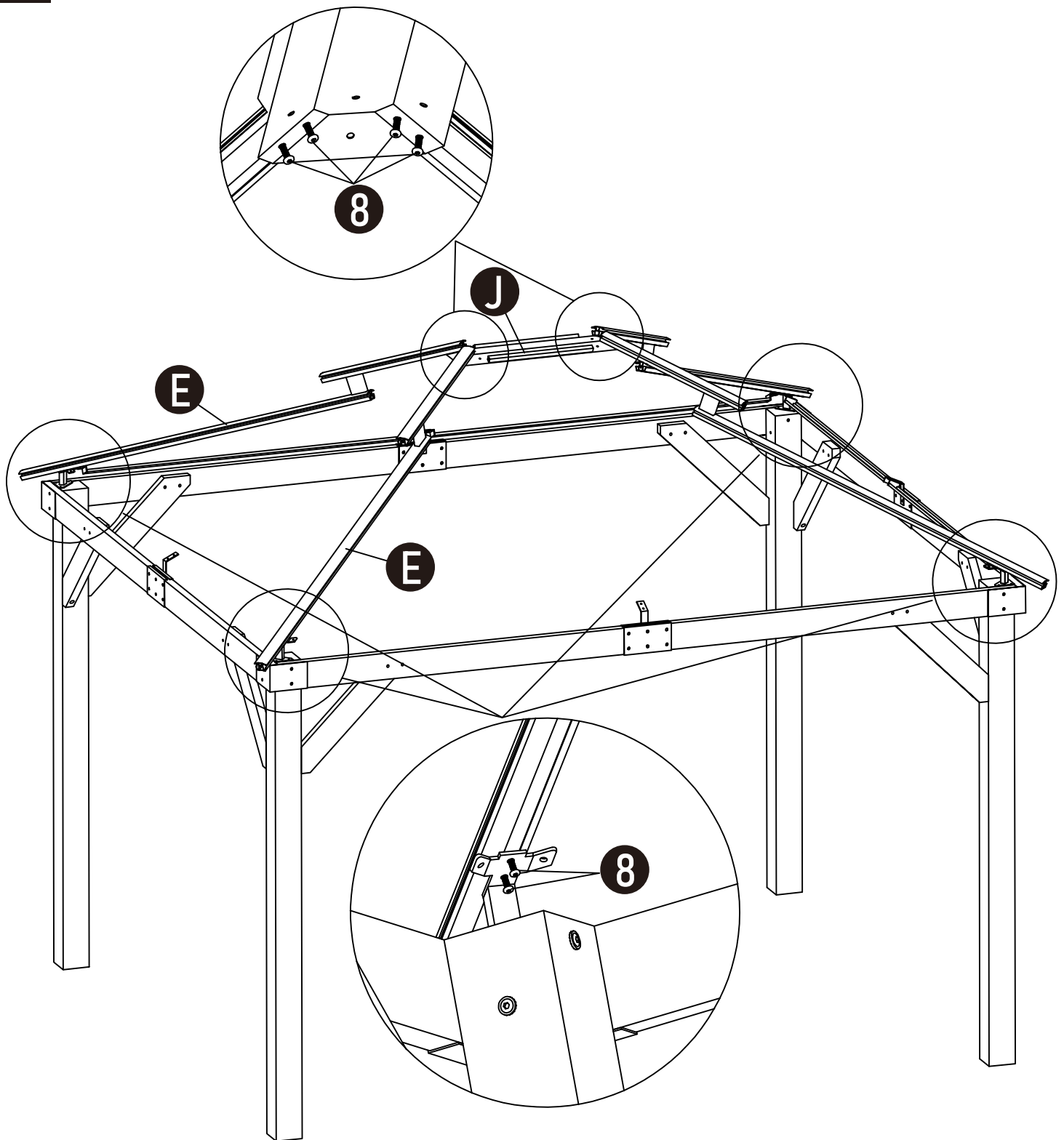
P1 x4



M6*18

8 x8

10



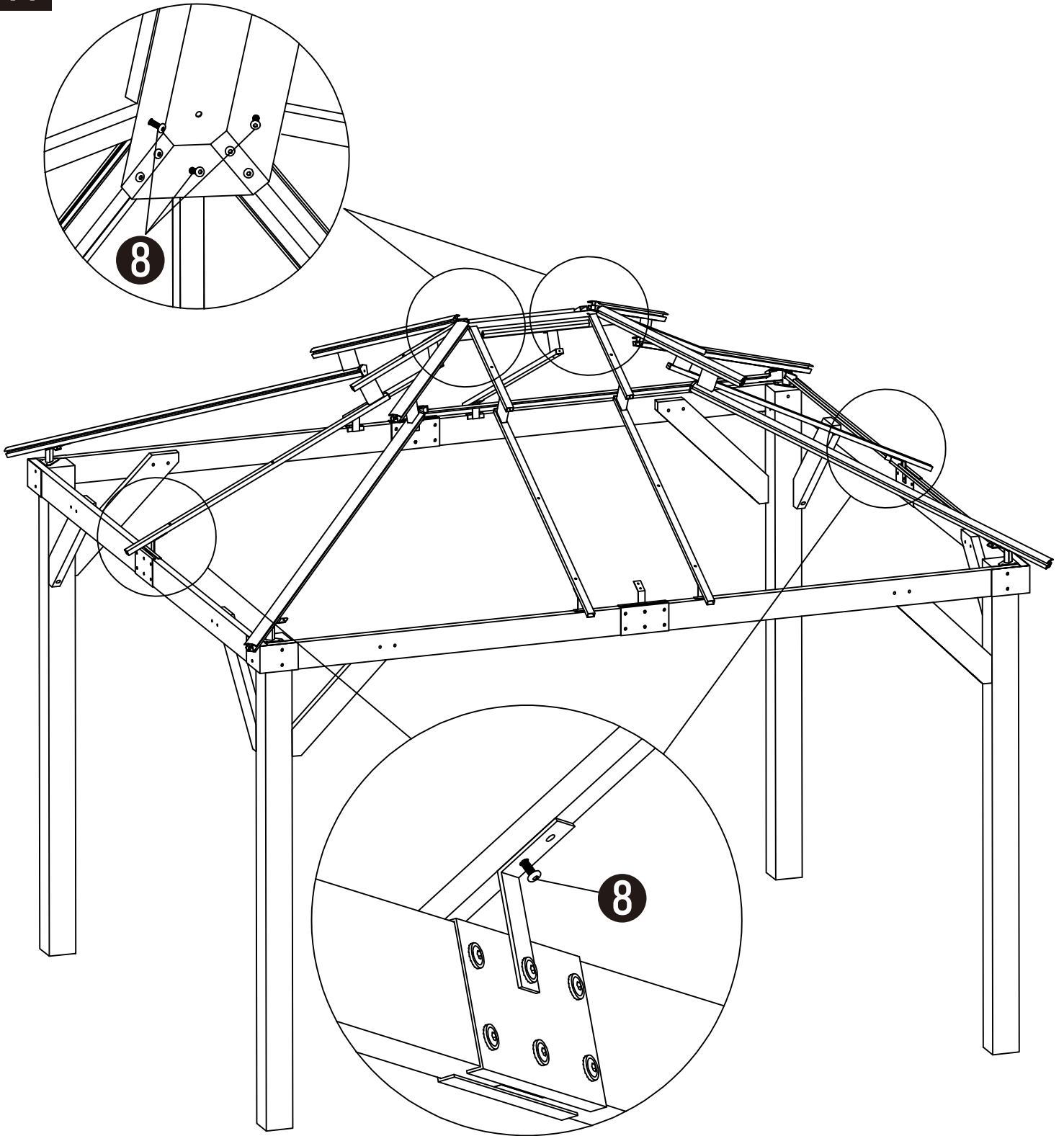
J x1



M6*18

8 x16

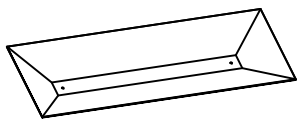
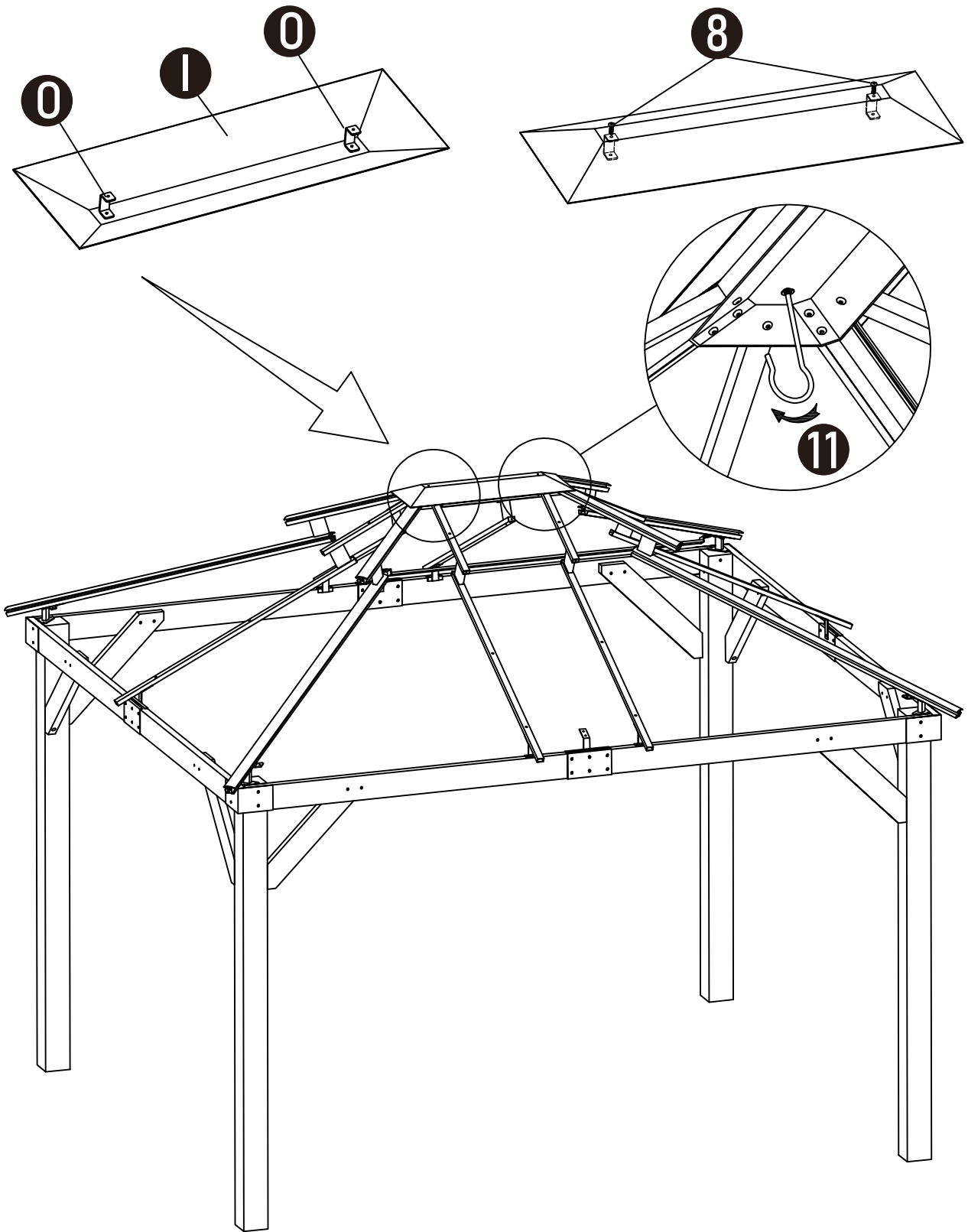
11



M6*18

8 x8

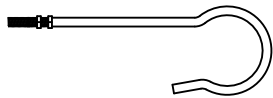
12



1 x1



0 x2



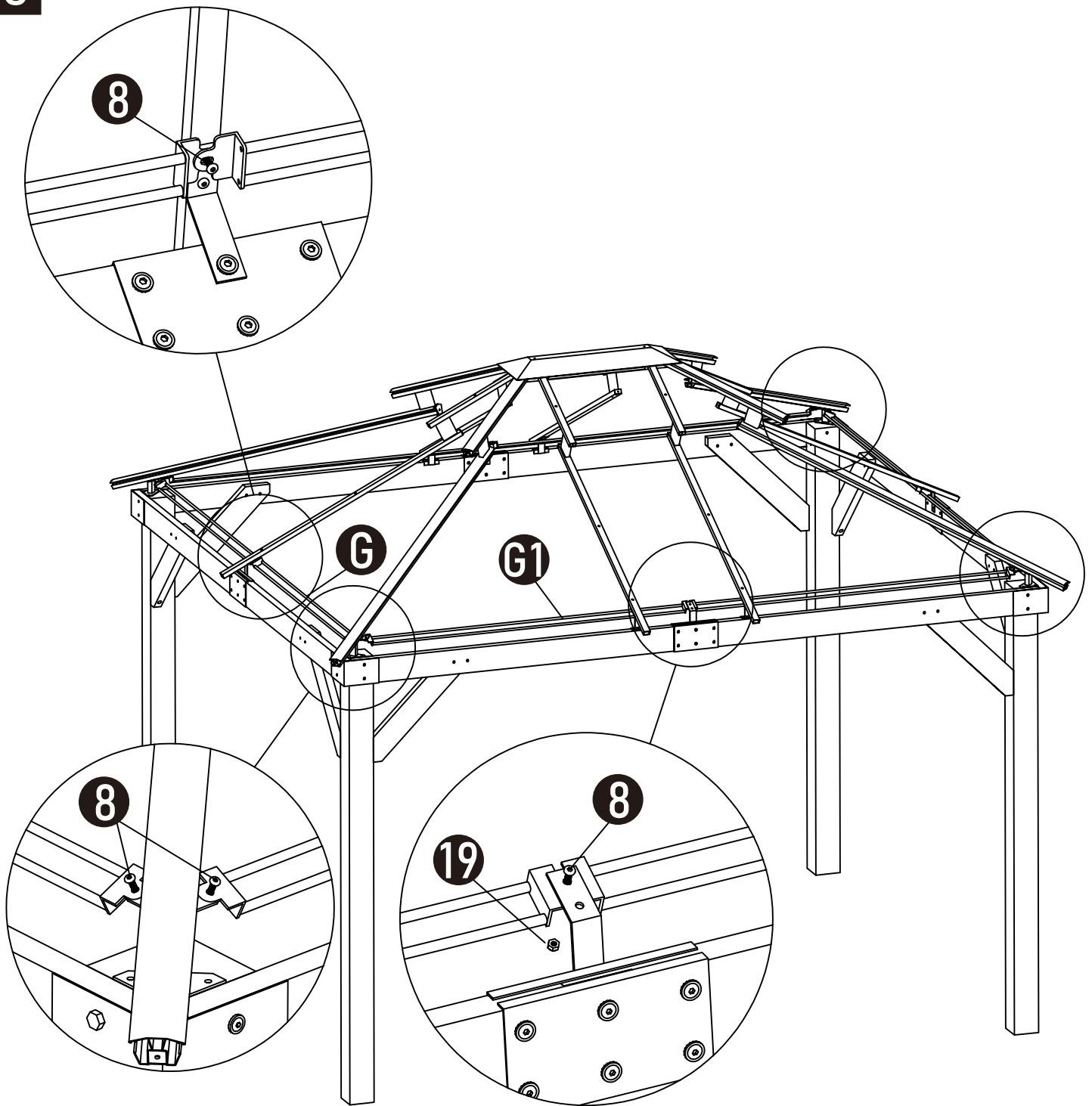
11 x2



M6*18

8 x2

13



G x4



M6*18

8 x12



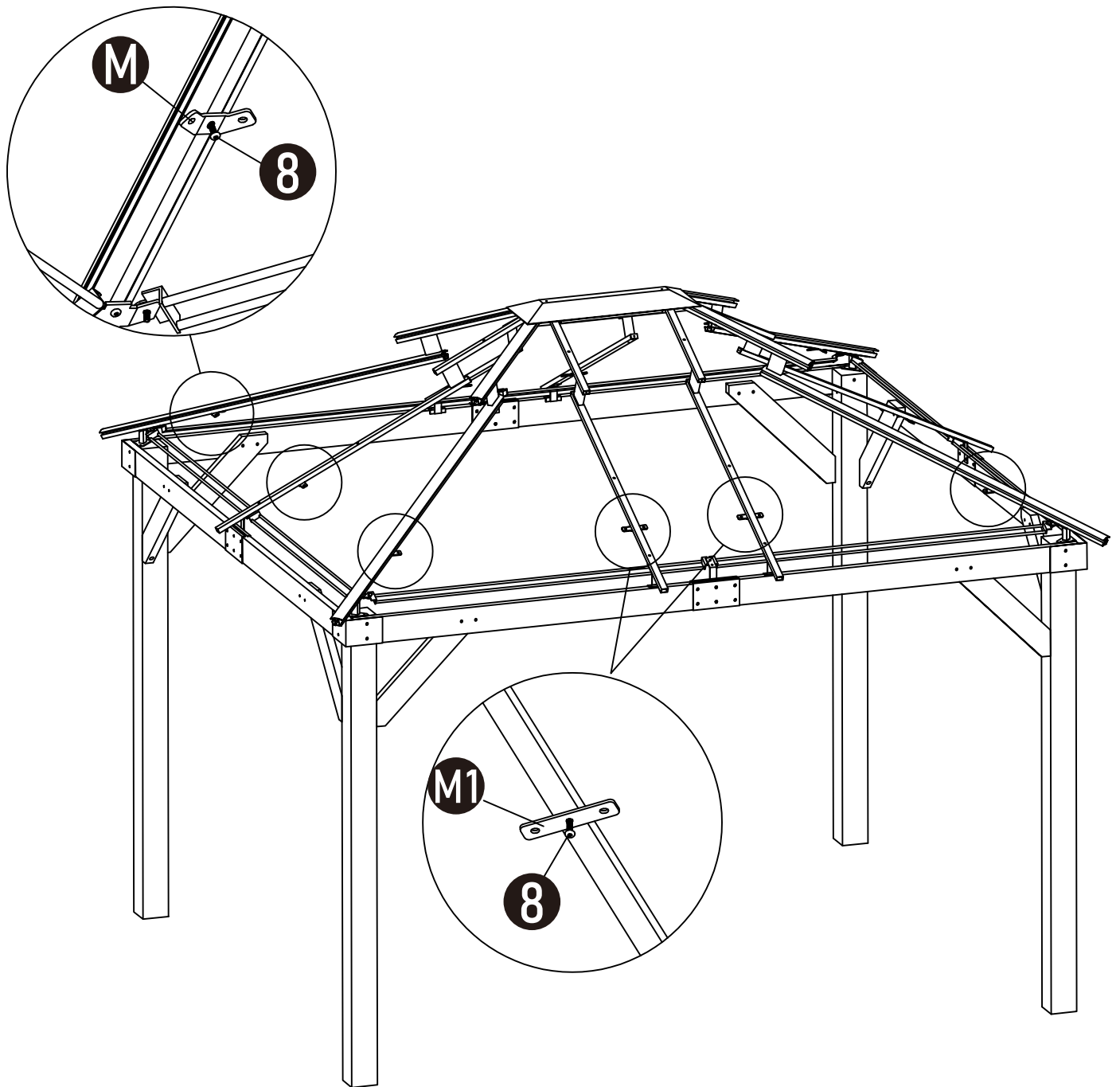
G1 x4



M6

19 x2

14



M x4



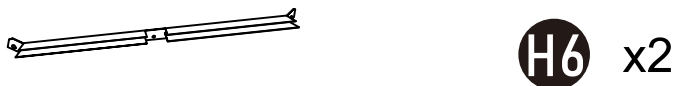
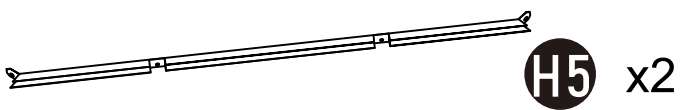
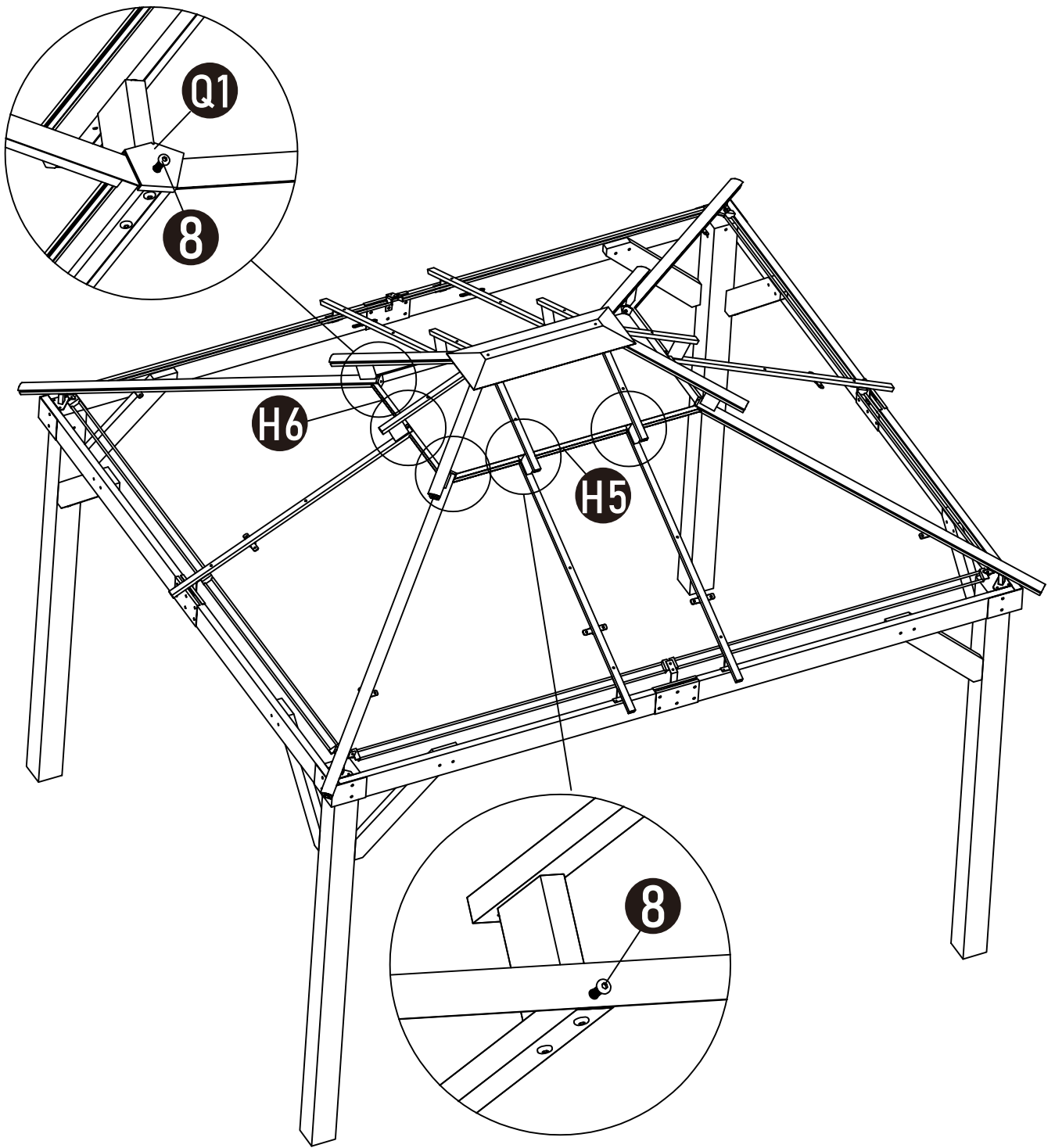
M1 x6



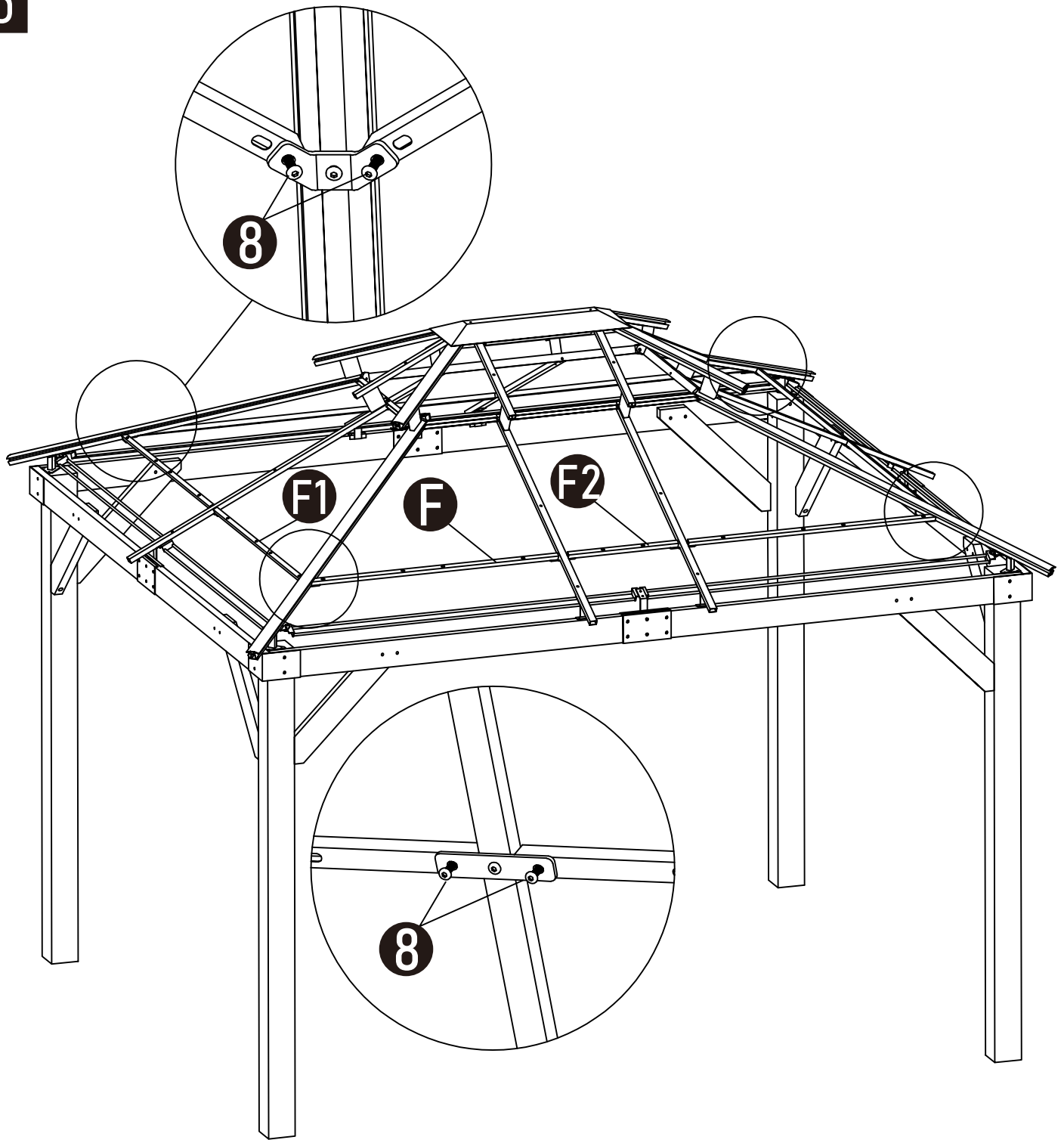
M6*18

8 x10

15



16



F x4



F2 x4

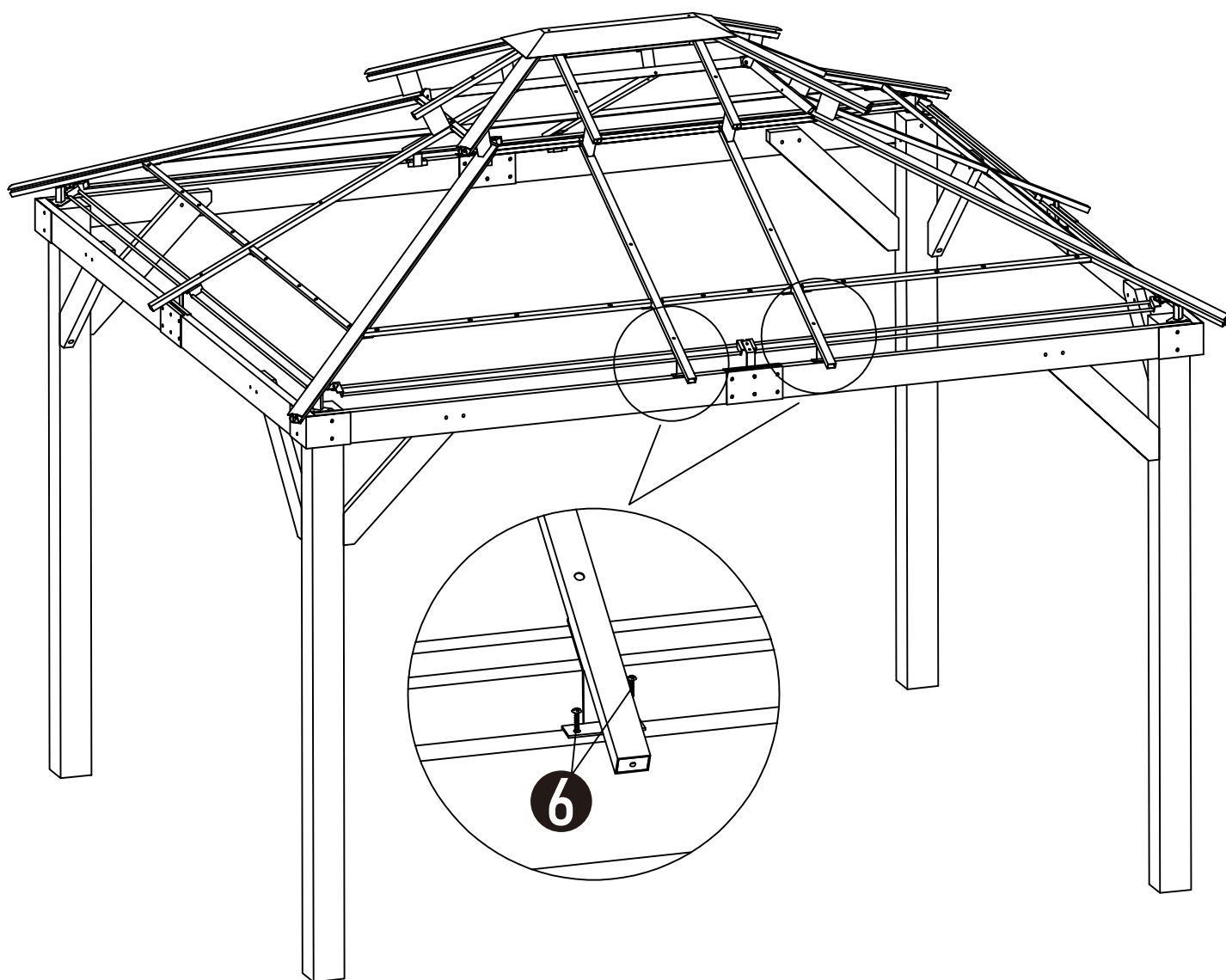


F1 x4



M6*18 **8** x20

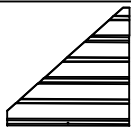
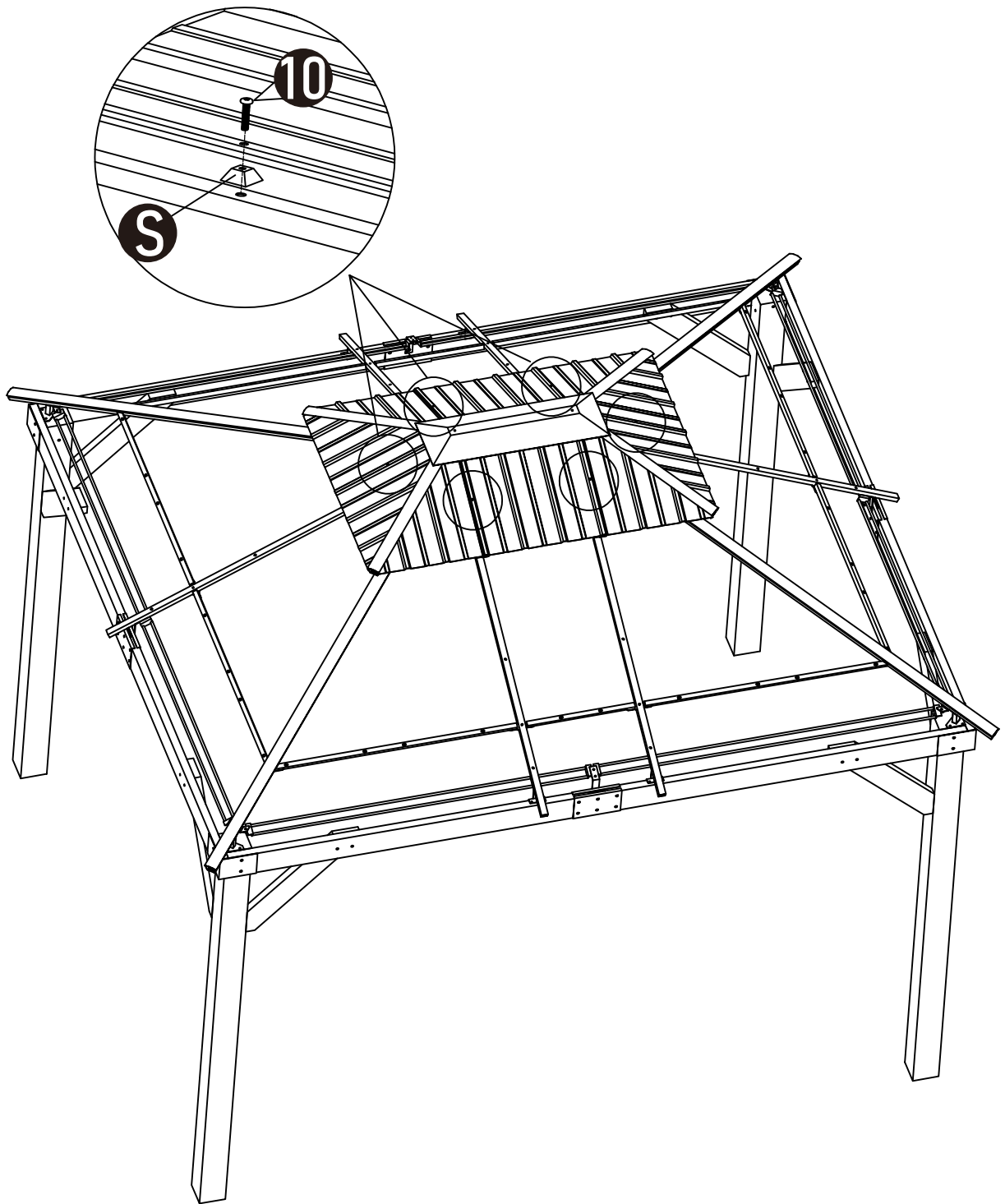
17



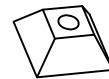
M5*25

6 x8

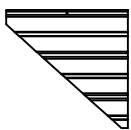
18



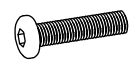
W1 x4



S x6

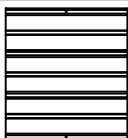


W2 x4



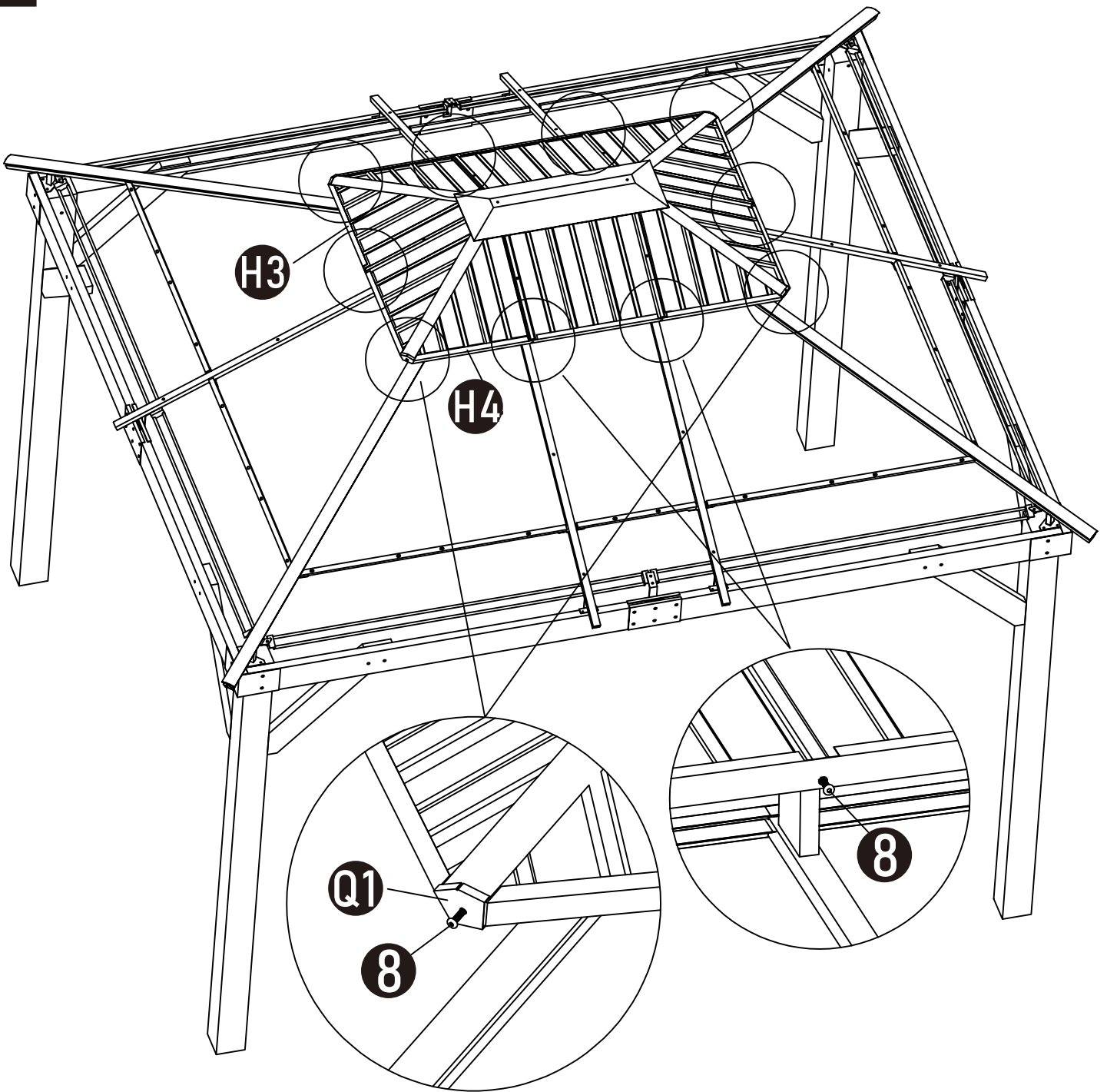
M6*25

10 x6



W3 x2

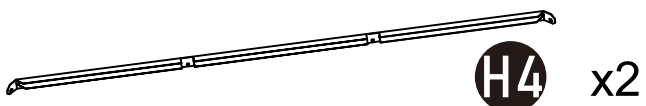
18



H3 x2



Q1 x4

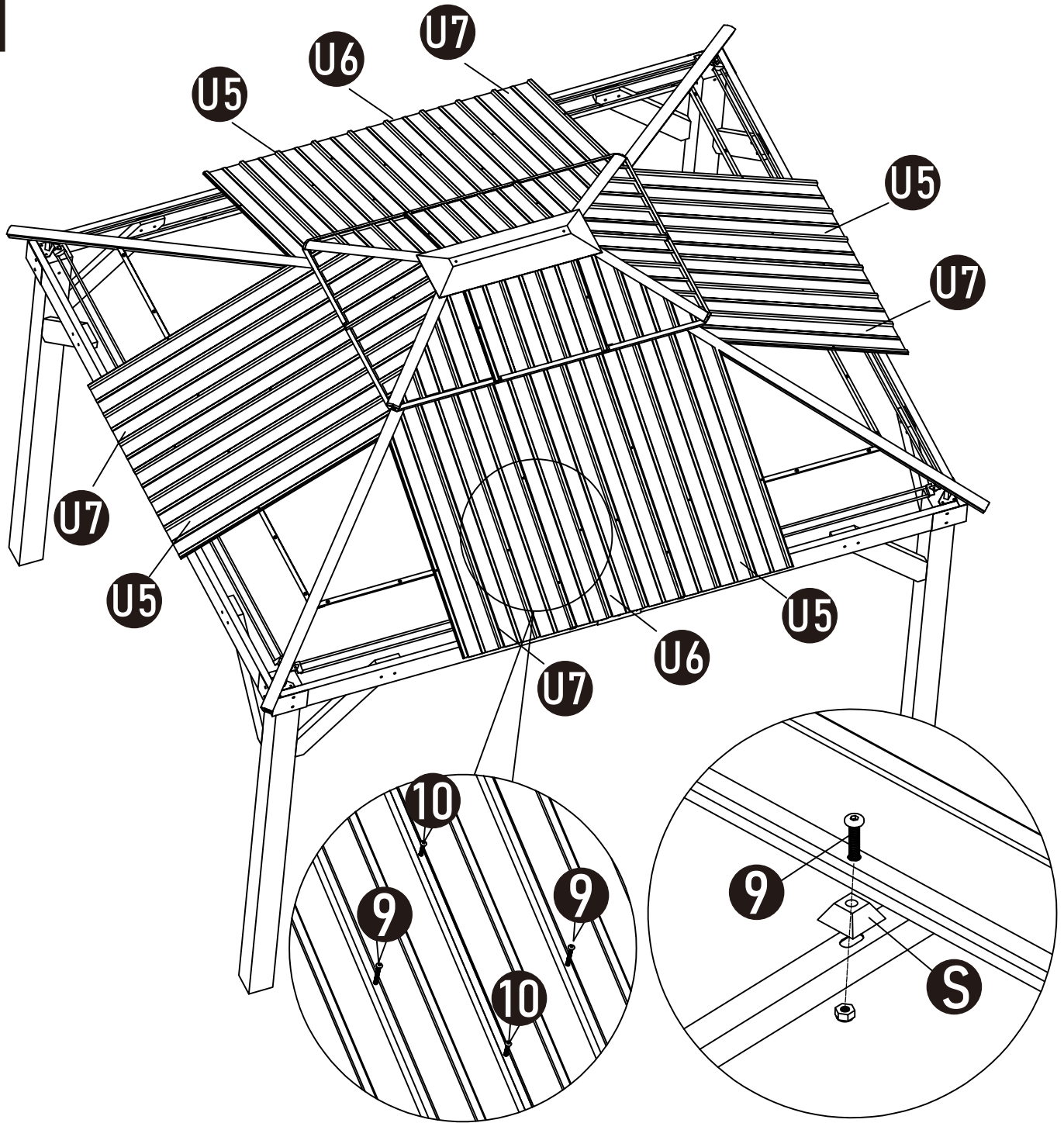


H4 x2



M6*18 **8** x10

19



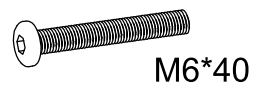
U5 x4



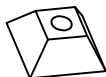
U7 x4



U6 x2



9 x12

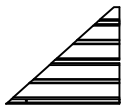
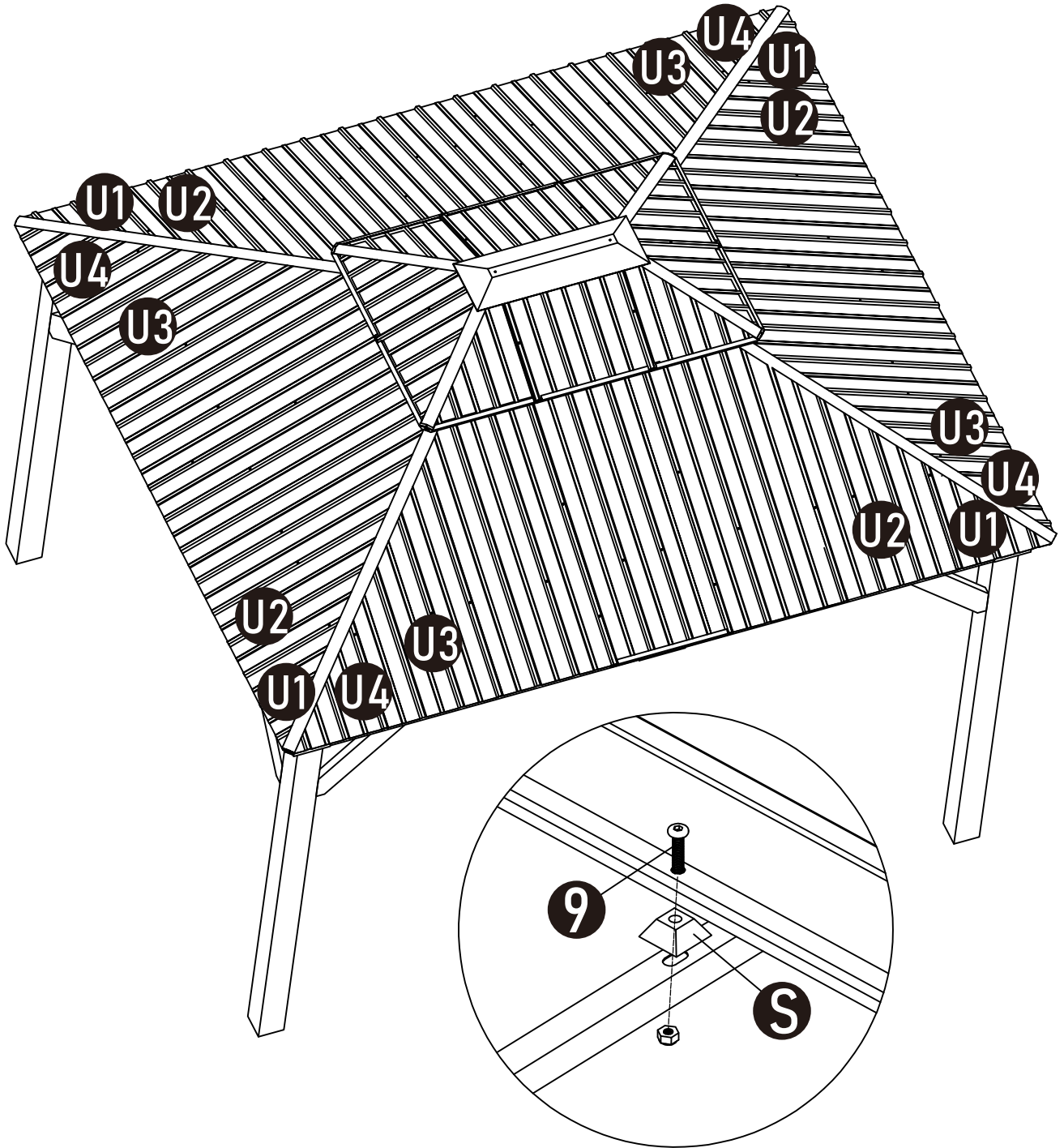


S x24

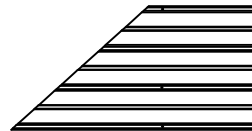


10 x12

20



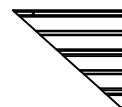
U1 x4



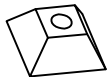
U2 x4



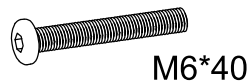
U3 x4



U4 x4



S x24



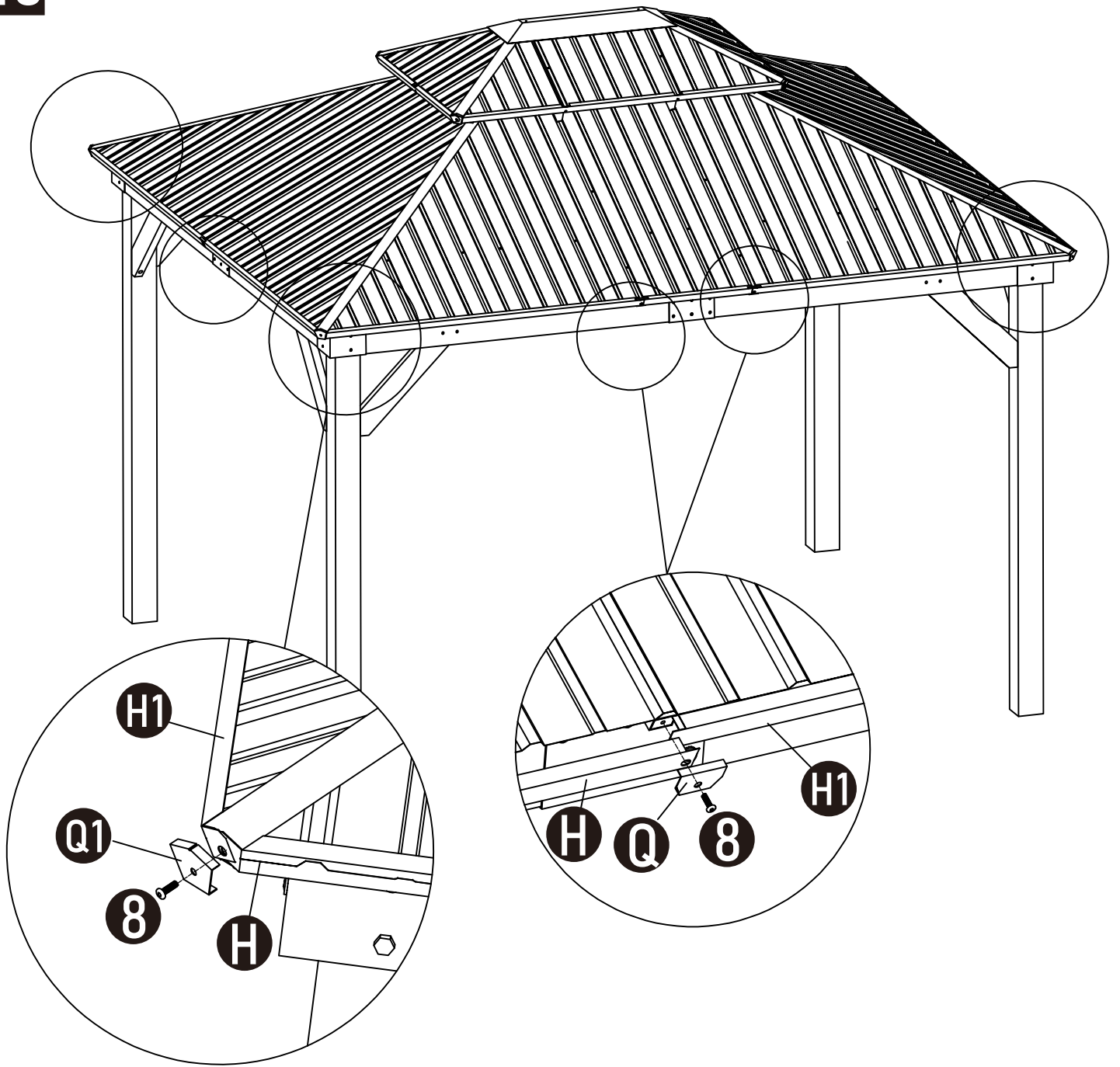
M6*40






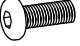


M6

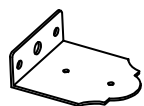
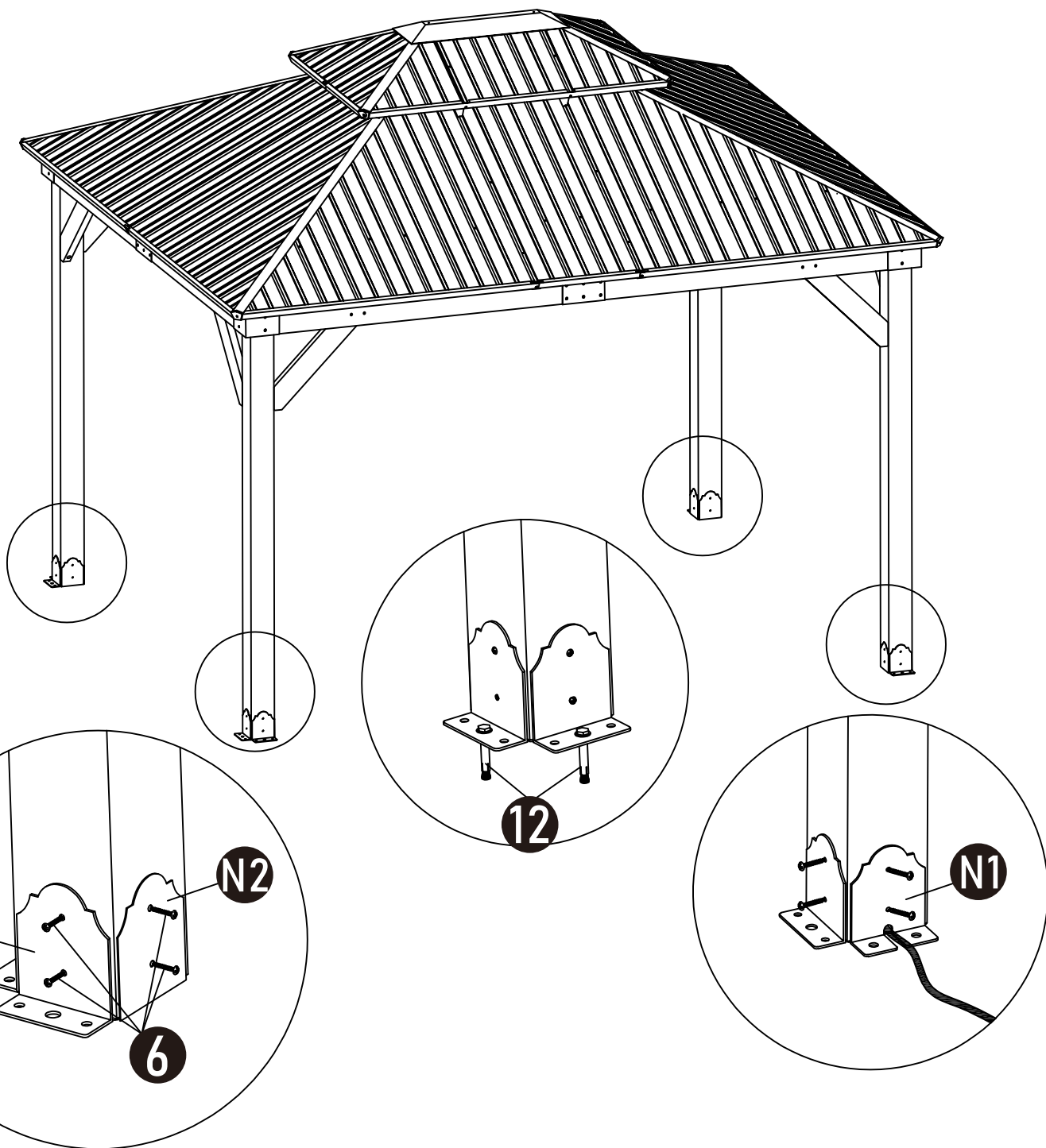
9 x24

20



 H x4	 Q x6
 H1 x4	 Q1 x4
 H2 x2	 8 x10 M6*18

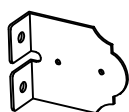
21



N x7



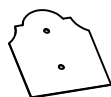
M5*25 **6** x32



N1 x1

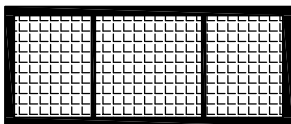
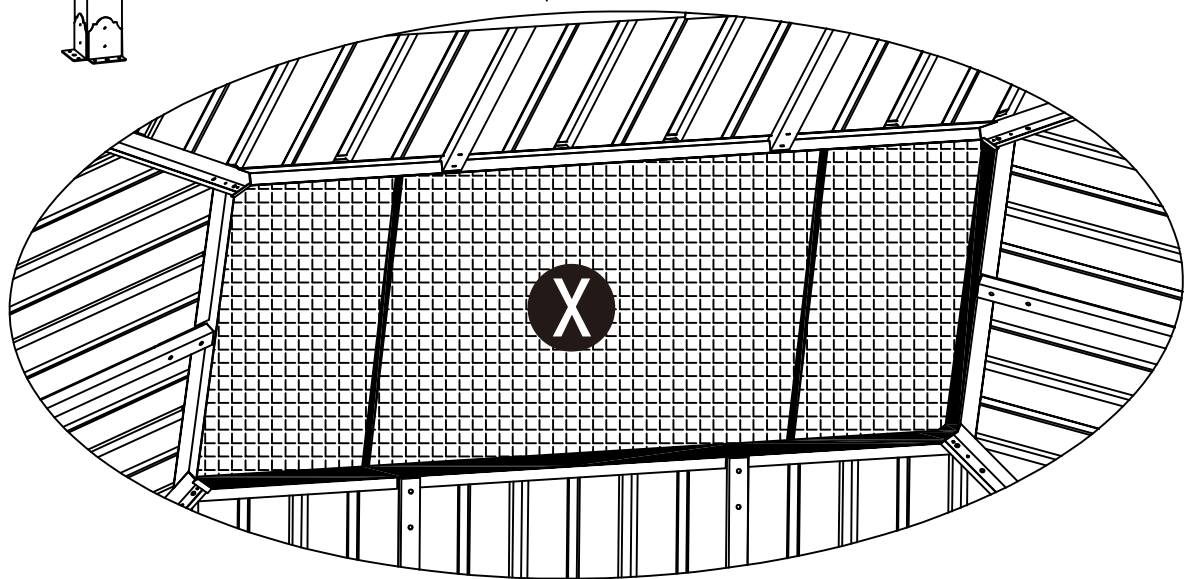
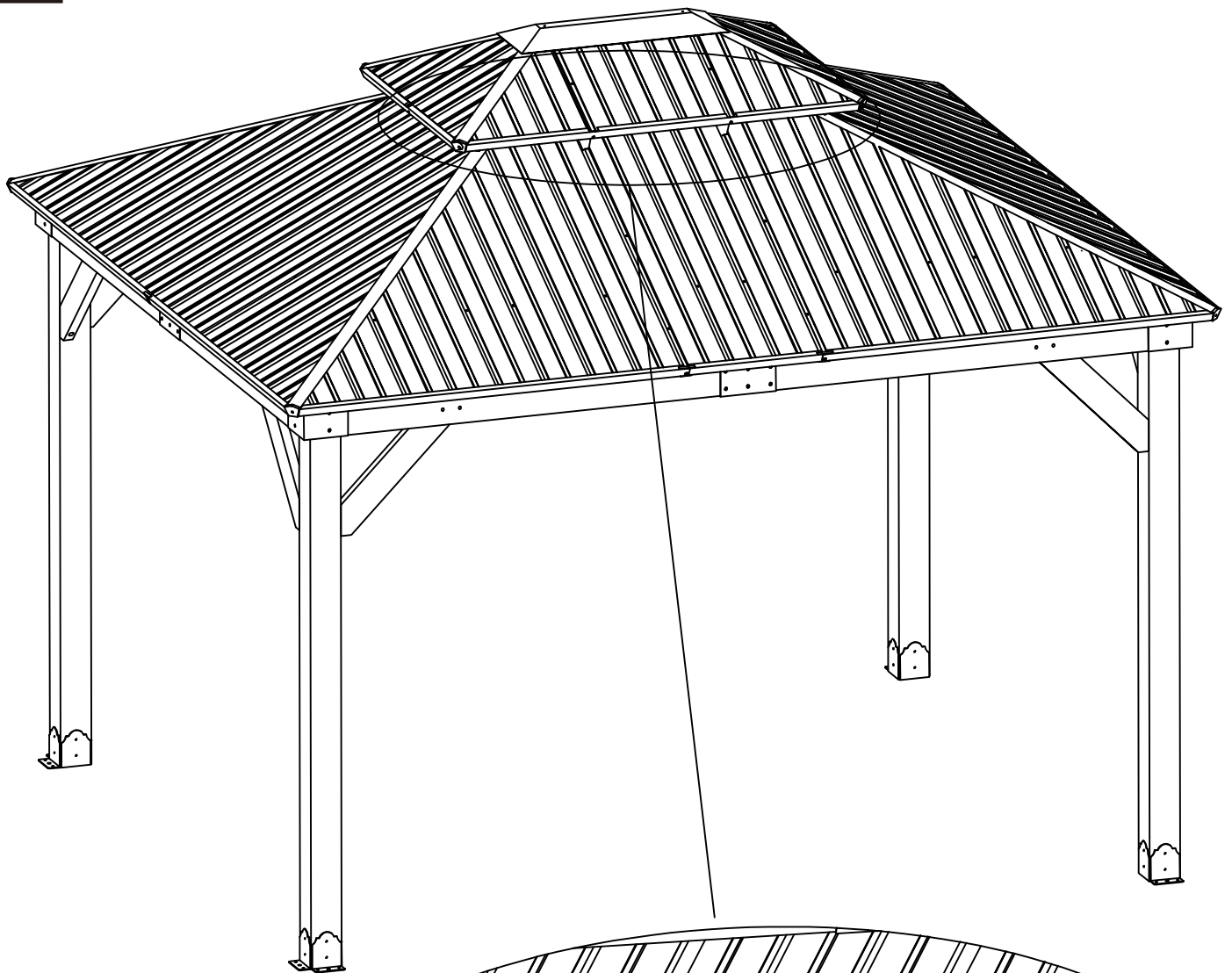


M8*70 **12** x8

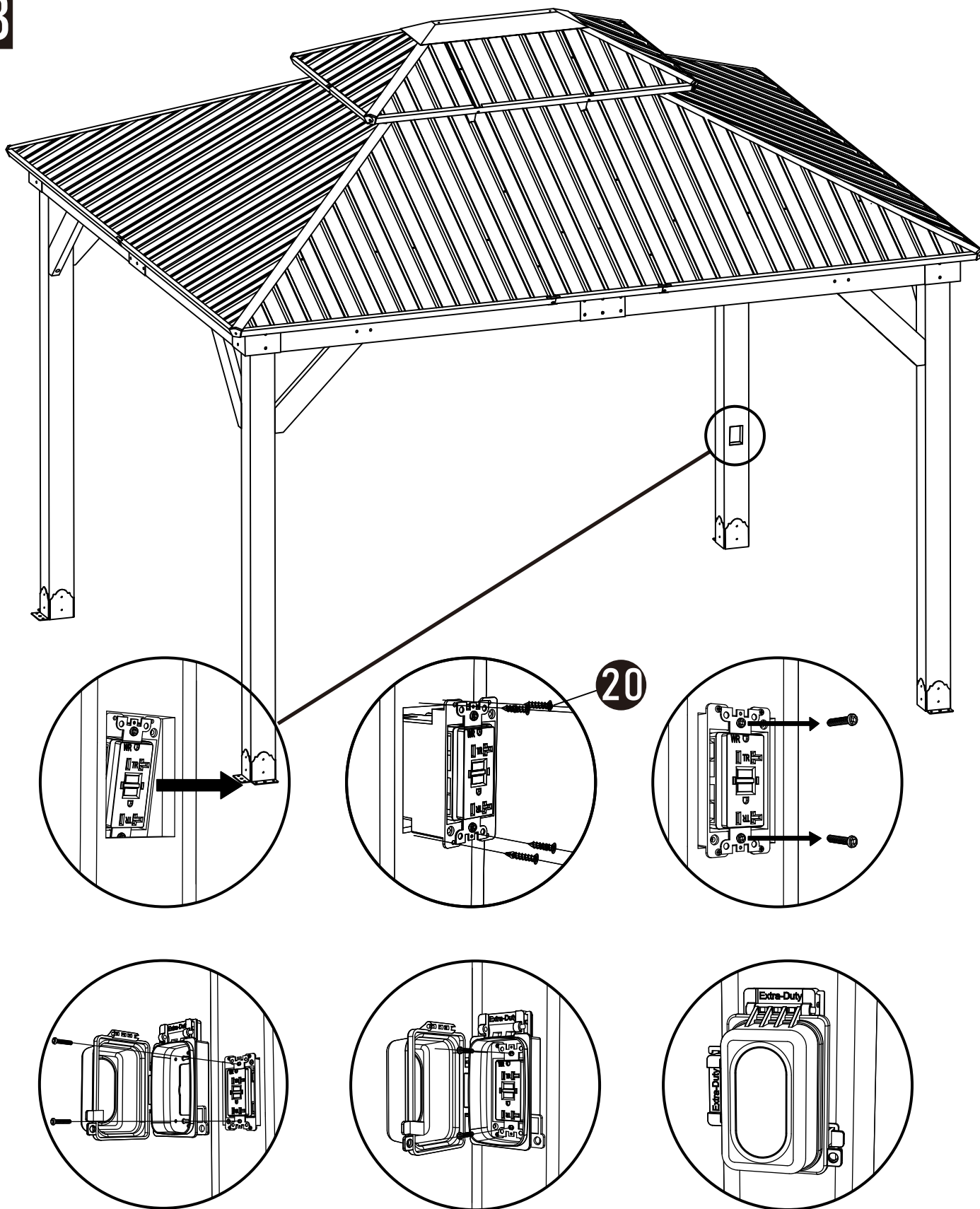


N2 x8

22



X x1



Please don't hesitate to contact us for any further questions,
your satisfaction is guaranteed.
support@aodorshop.com
<https://aodorshop.com/>