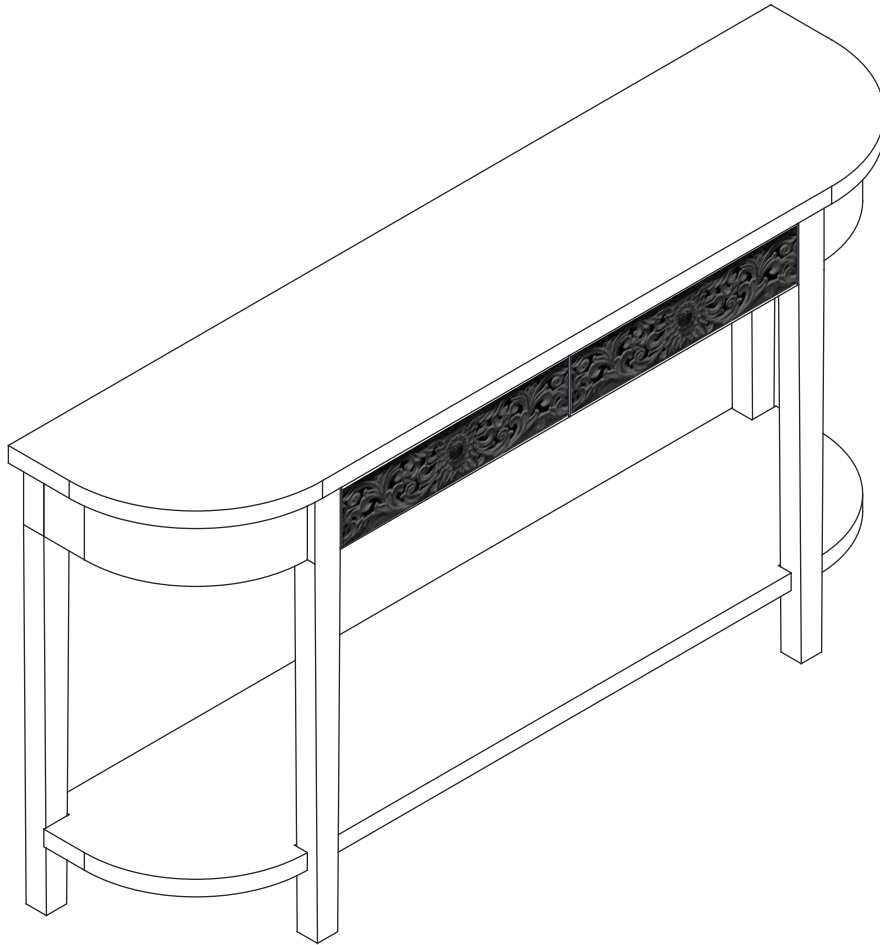
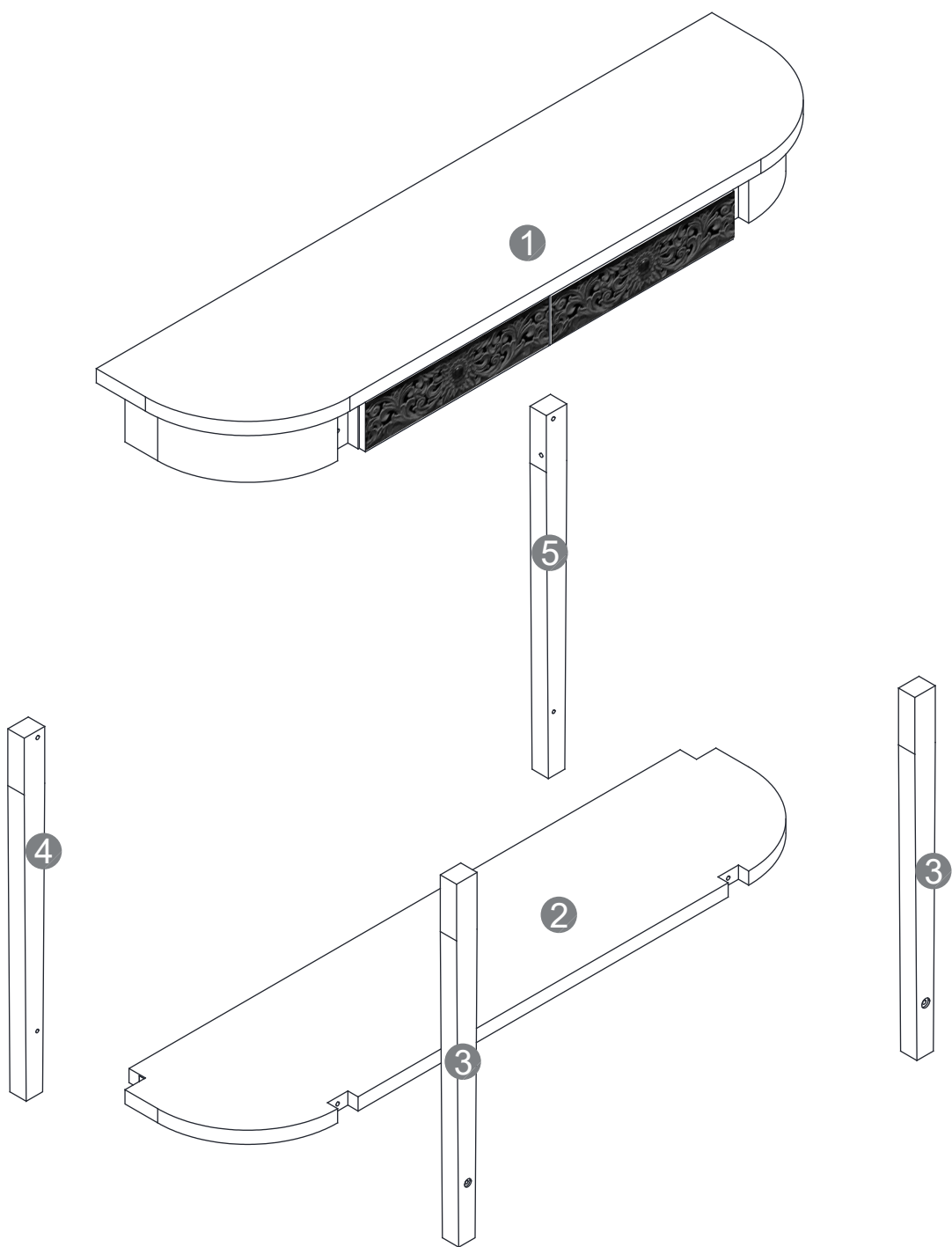
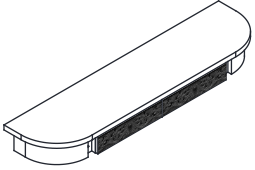
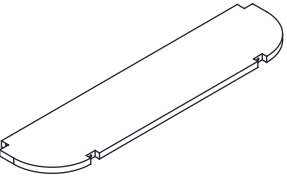





# Assembly Instructions


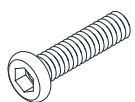
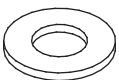
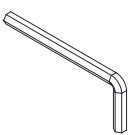


THIS INSTRUCTION BOOKLET CONTAINS IMPORTANT INFORMATION. PLEASE READ AND KEEP FOR FUTURE REFERENCE  
We will stand behind we sell. If you have any questions about this item, please do not hesitate to contact us

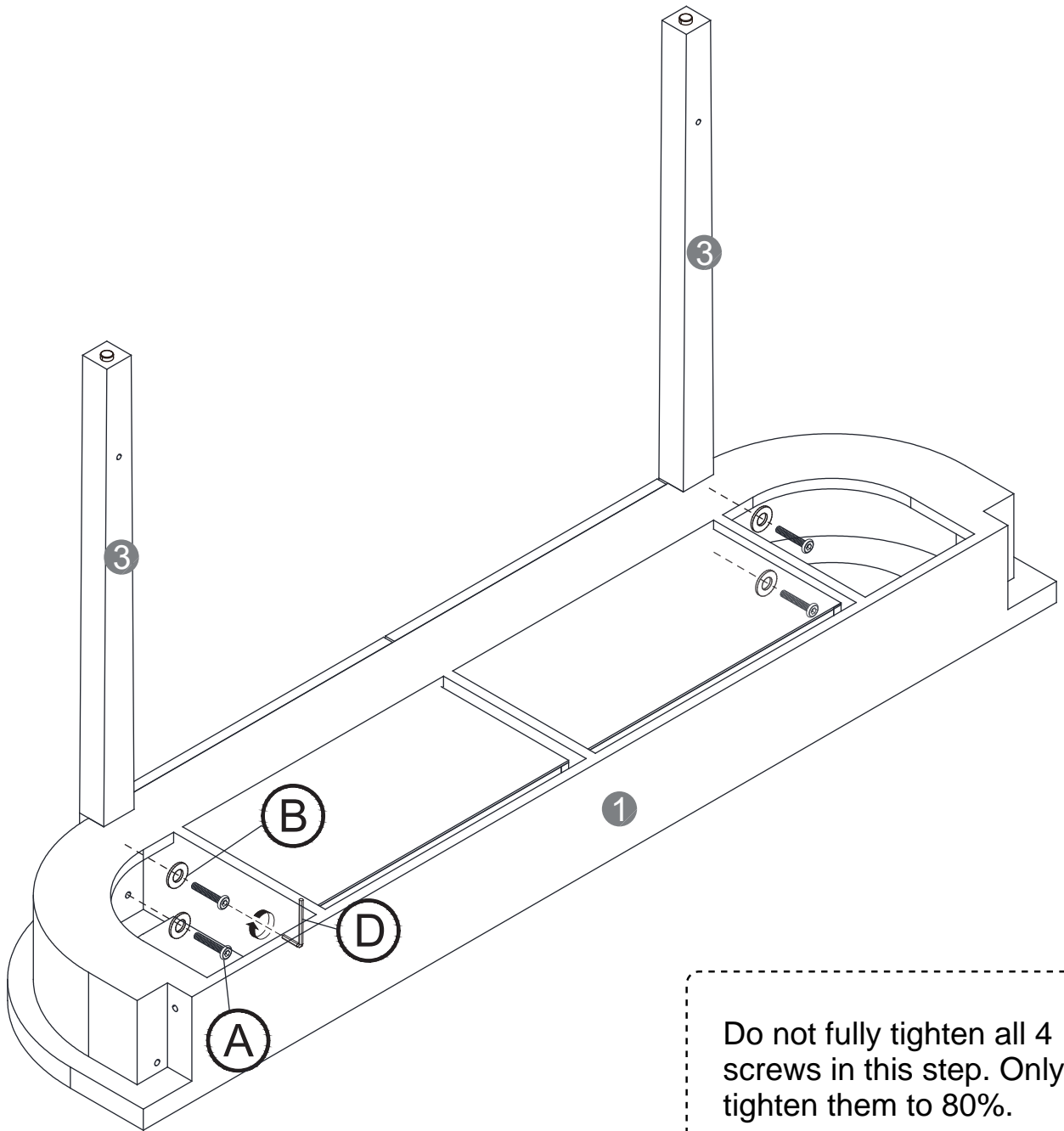


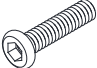


Item no.	Reference Image	Qty.
①		X1
②		X1
③		X2

Item no.	Reference Image	Qty.
④		X1
⑤		X1

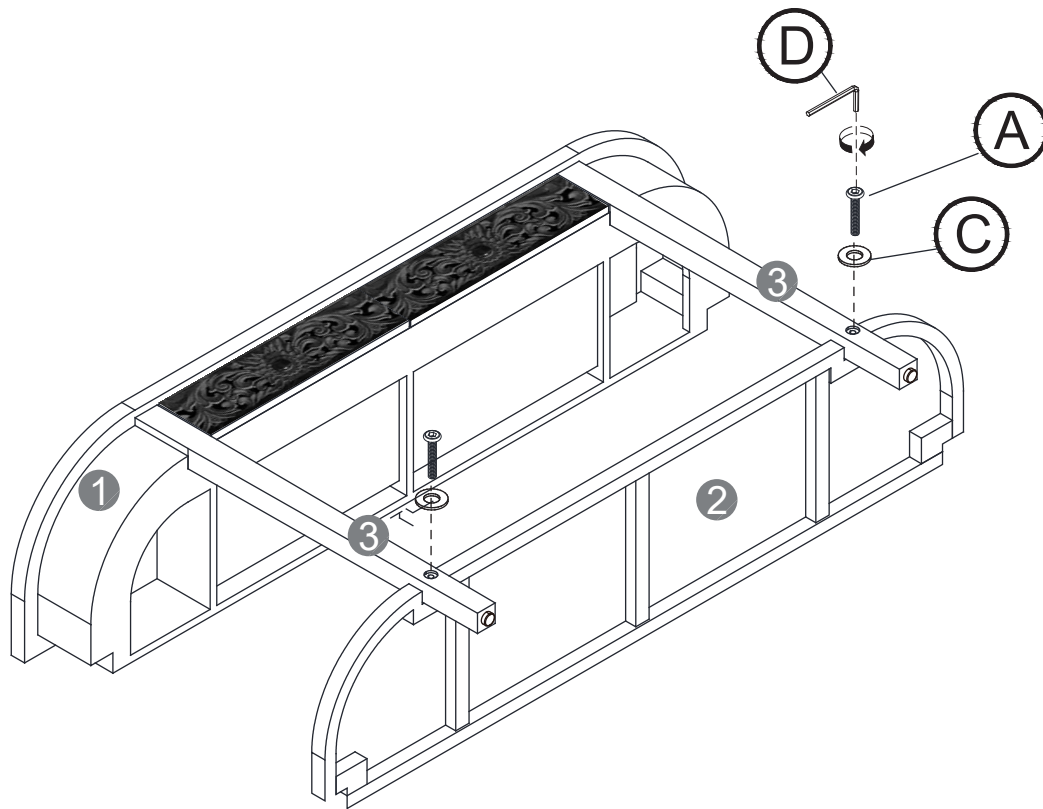
Item no.	Reference Image	Qty.
Ⓐ	 Ø8*45mm	X4
Ⓑ	 Ø8*35mm	X8
Ⓒ		X12
Ⓓ		X1




# step 1:



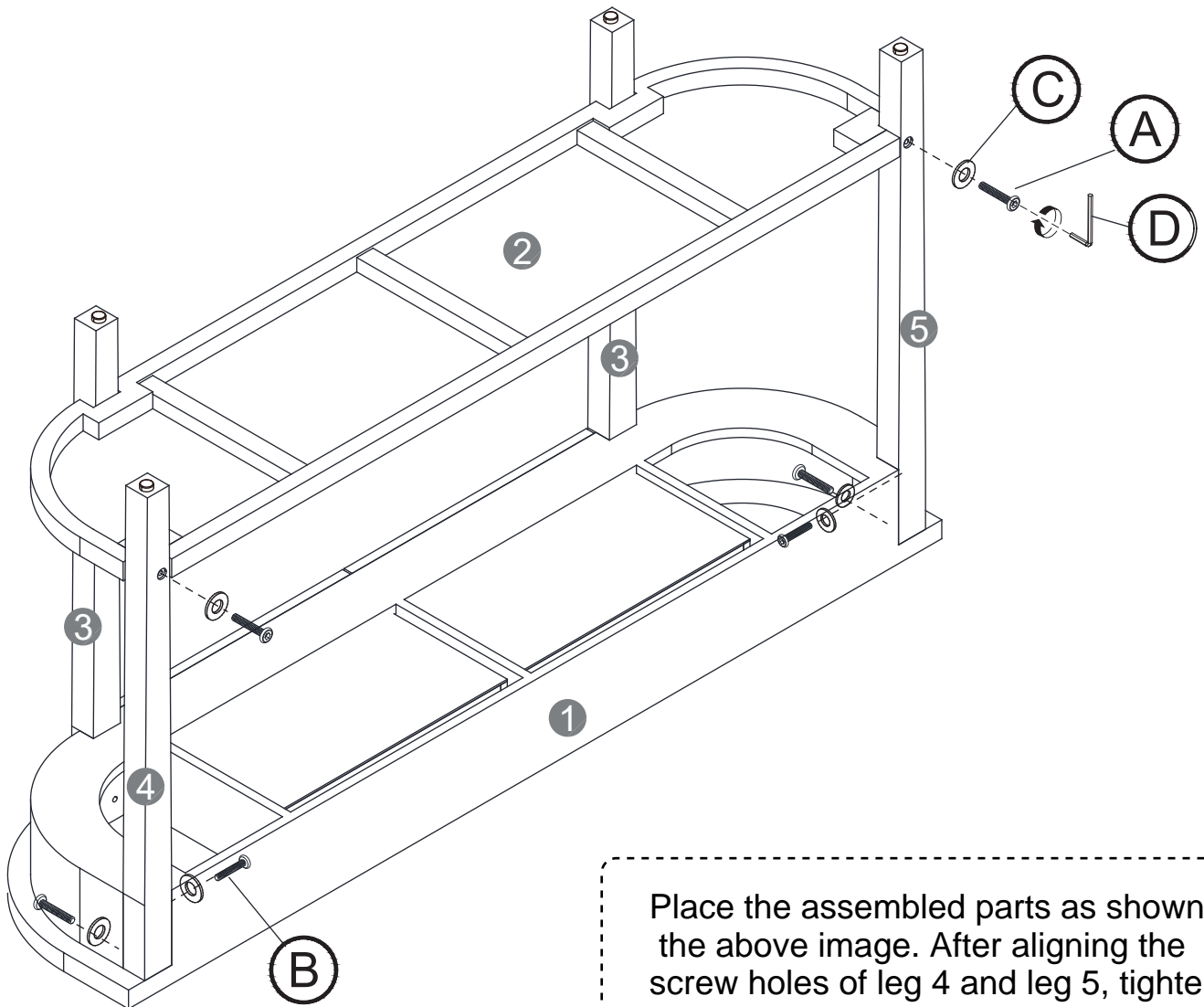
(B)		X 4
(C)		X 4
(D)		X 1

# step2:

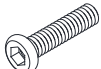
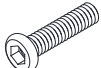
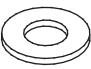
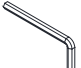


(A)		X 2
(C)		X 2
(D)		X 1

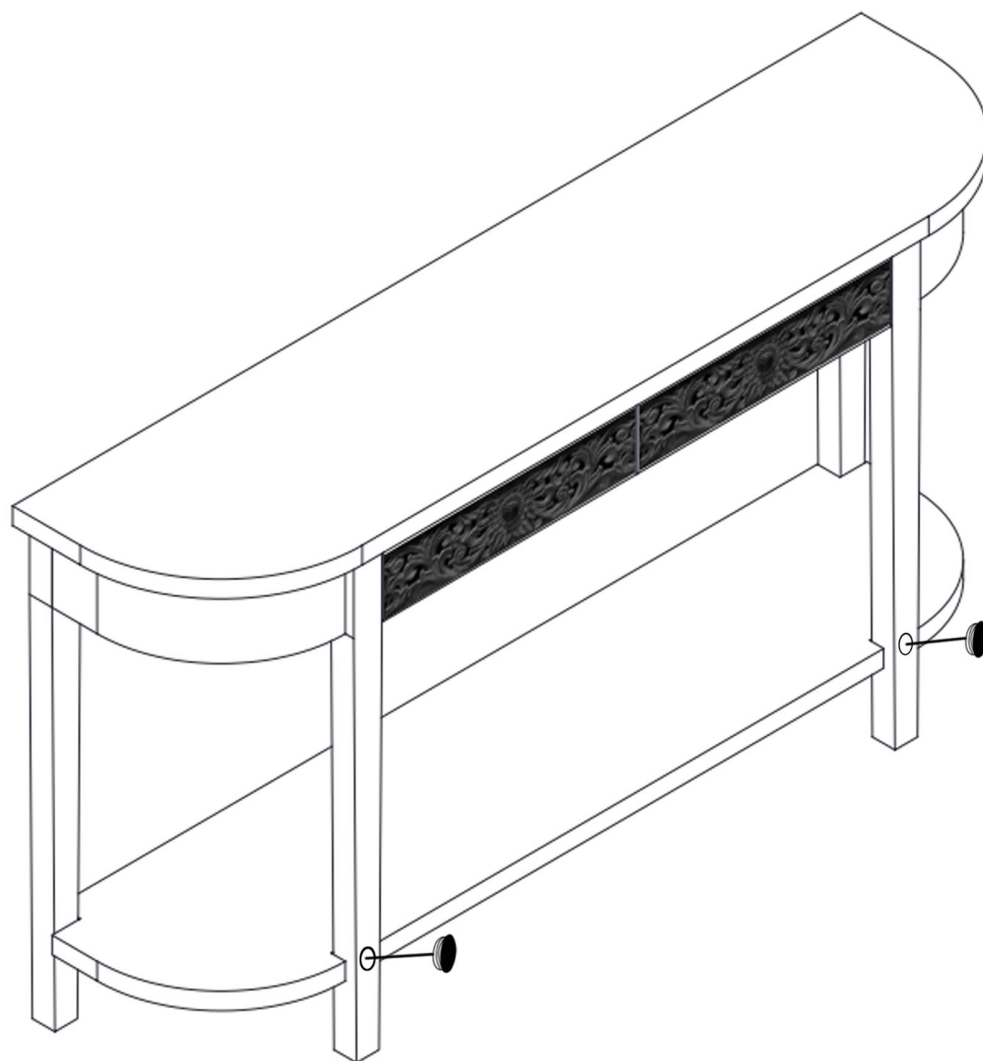
# step3:



Place the assembled parts as shown in the above image. After aligning the screw holes of leg 4 and leg 5, tighten all the screws (including the 4 screws from step 1).

(A)		X 2
(B)		X 4
(C)		X 4
(D)		X 1

# step4:



Please check whether the screws are tightened or not, and then put on the hole cover