



## 9 Foot Auto Tilt LED Patio Umbrella



### Models

- 83-OUT5420 - Beige
- 83-OUT5421 - Brown
- 83-OUT5422 - Blue
- 83-OUT5423 - Red
- 83-OUT5424 - Forest Green



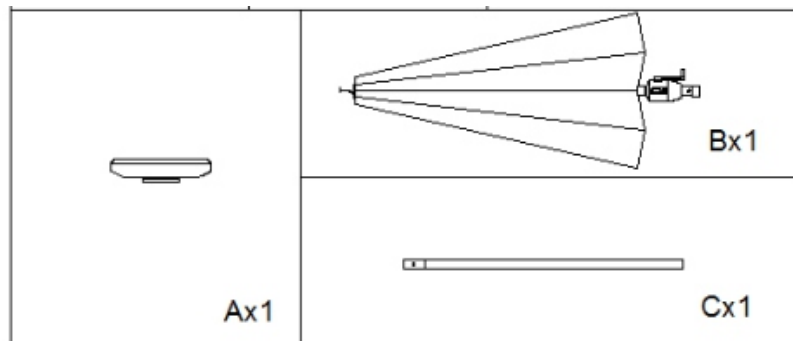
# 9 Foot LED Auto Tilt Patio Umbrella

Congratulations on your purchase of a Villacera 9 Foot Auto Tilt Patio Umbrella.

Upon unpacking your Villacera Patio Umbrella, be sure to make sure you have all the contents needed to start the assembly of your umbrella. If any part is missing or damaged, do not attempt to assemble or operate this product.

## CONTENTS

- (A) Solar Panel
- (B) Umbrella
- (C) Aluminum Pole



## ! SAFETY INFORMATION

Please read this manual in its entirety before attempting to assemble, install or use the product.

### WARNING

- Assemble the product on a flat, non-slip and non- abrasive surface, such as carpet to avoid damage to the product.
- Use care when handling the product, it is heavy and may require two adults for safe assembly and operation.
- **ALWAYS** crank the umbrella to the closed position during windy weather conditions.
- This outdoor patio umbrella is designed and made for personal, non-commercial use.
- Keep children away from the packaging materials. There is a risk for suffocation.
- The product is not a toy or a tool. Children under the age of 16 should not assemble, remove or operate this product.

### CAUTION

- **DO NOT** leave the umbrella open directly facing the wind, this can cause damage to the umbrella and injury to those around it.
- **ALWAYS** take down the umbrella when not in use, during high winds, gusting winds or rain.



# 9 Foot Auto Tilt LED Patio Umbrella

## ASSEMBLY INSTRUCTIONS

### Step 1:

- Remove the solar panel from its foam packaging and connect the cable on the solar panel to the one at the top of the umbrella.
- Now that the cables are attached, push the solar panel into the circular hole and twist until it locks into place, as shown in **Figure 1**.
- With the solar panel is attached, ensure that the ON/OFF switch on the umbrella is in the OFF position. Allow the solar panel to charge in direct sunlight for 24-48 hours.

### Step 2:

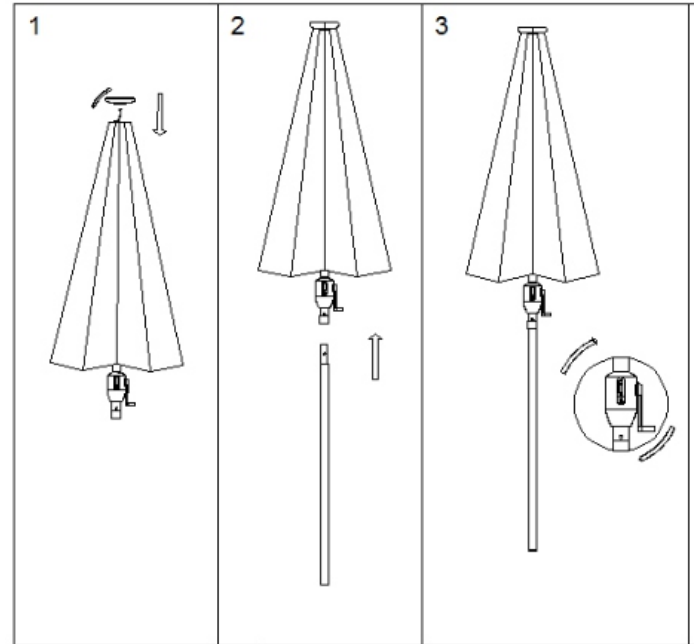
- Insert aluminum pole (C) into umbrella (B). Line up button with hole and snap into place, as shown in **Figure 2**.

### Step 3:

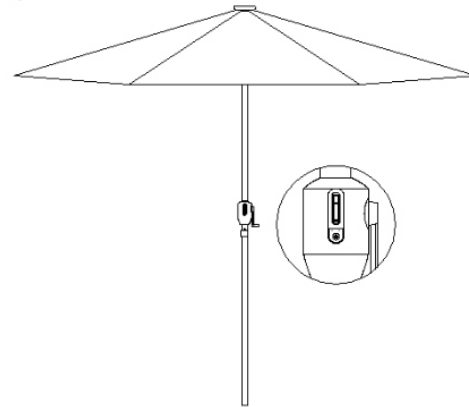
- With your umbrella upright, crank the handle clockwise to fully open the umbrella, as shown in **Figure 4**. To tilt, continue to turn the crank to desired position. **Note:** Once umbrella is fully open, the crank will feel more difficult to turn. Continue to turn crank to tilt umbrella.

### Step 4:

- Turn the crank handle in counter clockwise direction to bring umbrella back to a horizontal position. Continue to turn crank handle in counter clockwise direction to close umbrella, as shown in **Figure 3**.



4



## CAUTION

This Patio Umbrella cannot stand on it's own and must be used in conjunction with a weighted base or permanent mount.

## CARE & MAINTENANCE

- Wash with a mild soap and water solution. Rinse and dry completely.
- Do not use strong detergent or abrasive cleaners
- Store in a cool, dry location away from sunlight when not in use.