

ASSEMBLY INSTRUCTIONS

6 Drawer Dresser

EEl-7157 / V2.10.17.25

modway



Questions? Contact us!

609.256.9000

cs@modway.com

Welcome. Let's get started.

Before you begin, here are some things to keep in mind:

Assembly will take most people **about 60 minutes**. Consider having a friend help you!

Only use hand tools to assemble this item. Do not use power tools. Do not tighten bolts or screws completely until all hardware is lined up and inserted into the holes.

Read through all of the instructions before starting. Make sure you have all parts and components before discarding any packing materials.

Do not over-tighten screws and bolts to avoid stripping the hardware or cracking the item.

Assemble your item on a flat, carpeted area, with plenty of space to work. This will prevent damage and scratches to your floors or the item while you're assembling the product.

Keep all components and packaging out of reach of children or animals to avoid risk of choking or suffocation.





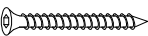



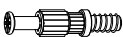



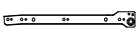
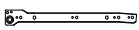


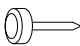

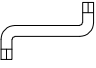
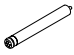

Care instructions are listed in the last step of this manual.

WAIT!

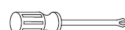
Missing parts or hardware? Need assistance?
Contact us before returning your item.
We're here to help!



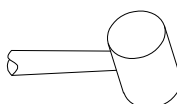
HARDWARE INCLUDED IN THE BOX:

A		Screw M3 x 12mm	x12
B		Screw M3 x 16mm	x3
C		Screw M3.5 x 12mm	x36
D		Screw M6 x 9mm	x24
E		Screw M6 x 40mm	x32
F		Wood Dowel Ø6 x 20mm	x26
G		Wood Dowel Ø8 x 25mm	x21
H		Wood Dowel Ø8 x 35mm	x4
J		Cam Bolt 20 x 5mm	x52
K		Cam Lock 15/12	x12
L		Cam Lock 15/9	x40
M		Handle	x6
N1		Drawer Slide CR (300mm)	x6
N2		Drawer Slide CL (300mm)	x6
P1		Drawer Slide DR (300mm)	x6
P2		Drawer Slide DL (300mm)	x6
Q		Plastic Leg Stud	x4
R		Metal Bracket	x1
S		Allen key	x1
T		Adjustable Leg	x1
		Tipping Restrain Kit	x2

WHAT YOU NEED:



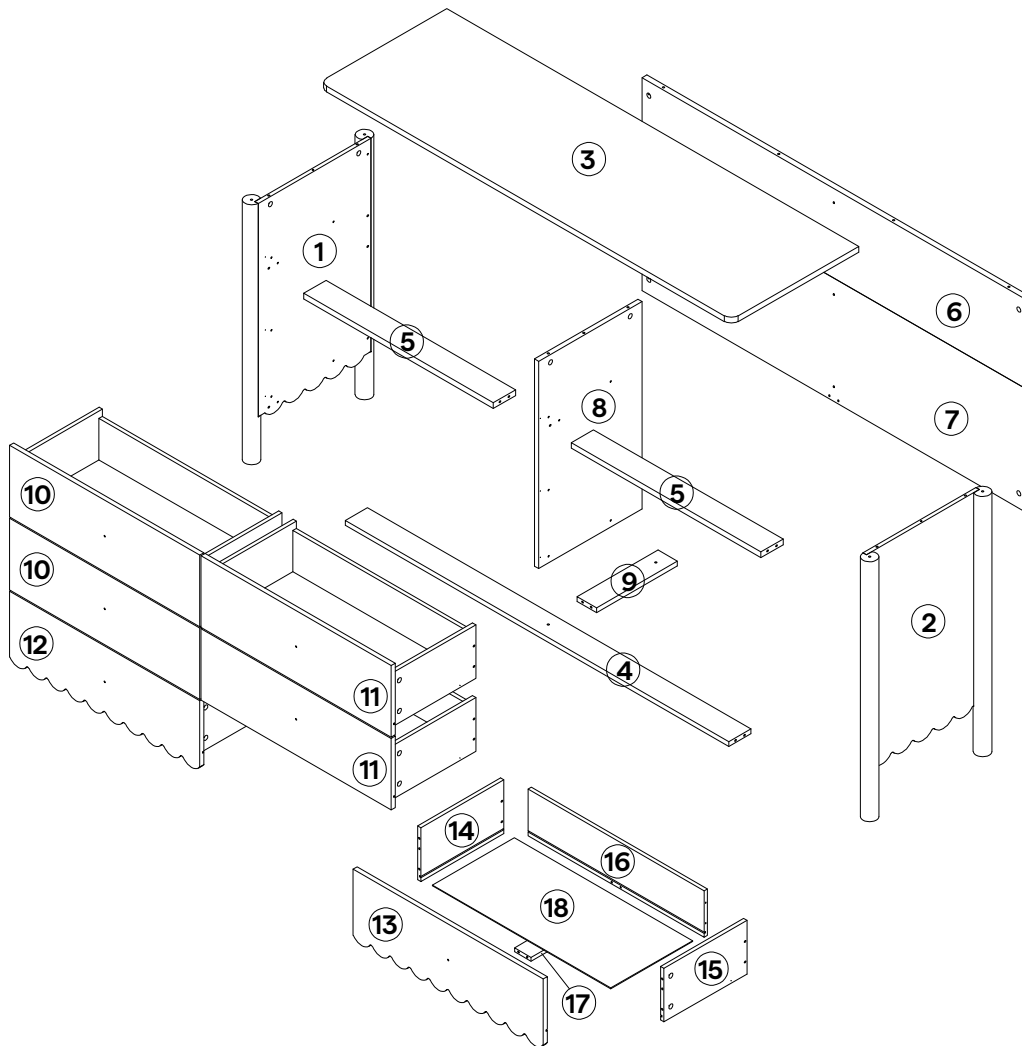
Phillips Head Screwdriver



Mallet

FURNITURE COMPONENTS INCLUDED IN THE BOX:

All parts are numbered with a sticker according to this list.



1	Left Side Panel	x1	7	Back Panel Bottom	x1	13	Right Drawer Front Bottom	x1
2	Right Side Panel	x1	8	Divider Panel	x1	14	Left Drawer Side	x6
3	Top Panel	x1	9	Support Panel	x1	15	Right Drawer Side	x6
4	Front Rail Panel Bottom	x1	10	Left Drawer Front	x2	16	Drawer Back	x6
5	Front Rail Panel Top	x2	11	Right Drawer Front	x2	17	Drawer Support	x6
6	Back Panel Top	x1	12	Left Drawer Front Bottom	x1	18	Drawer Bottom	x6

HARDWARE

- F** Wood Dowel Ø6 x 20mm x2
- G** Wood Dowel Ø8 x 25mm x18
- H** Wood Dowel Ø8 x 35mm x4
- J** Cam Bolt 20 x 5 mm x8

COMPONENTS

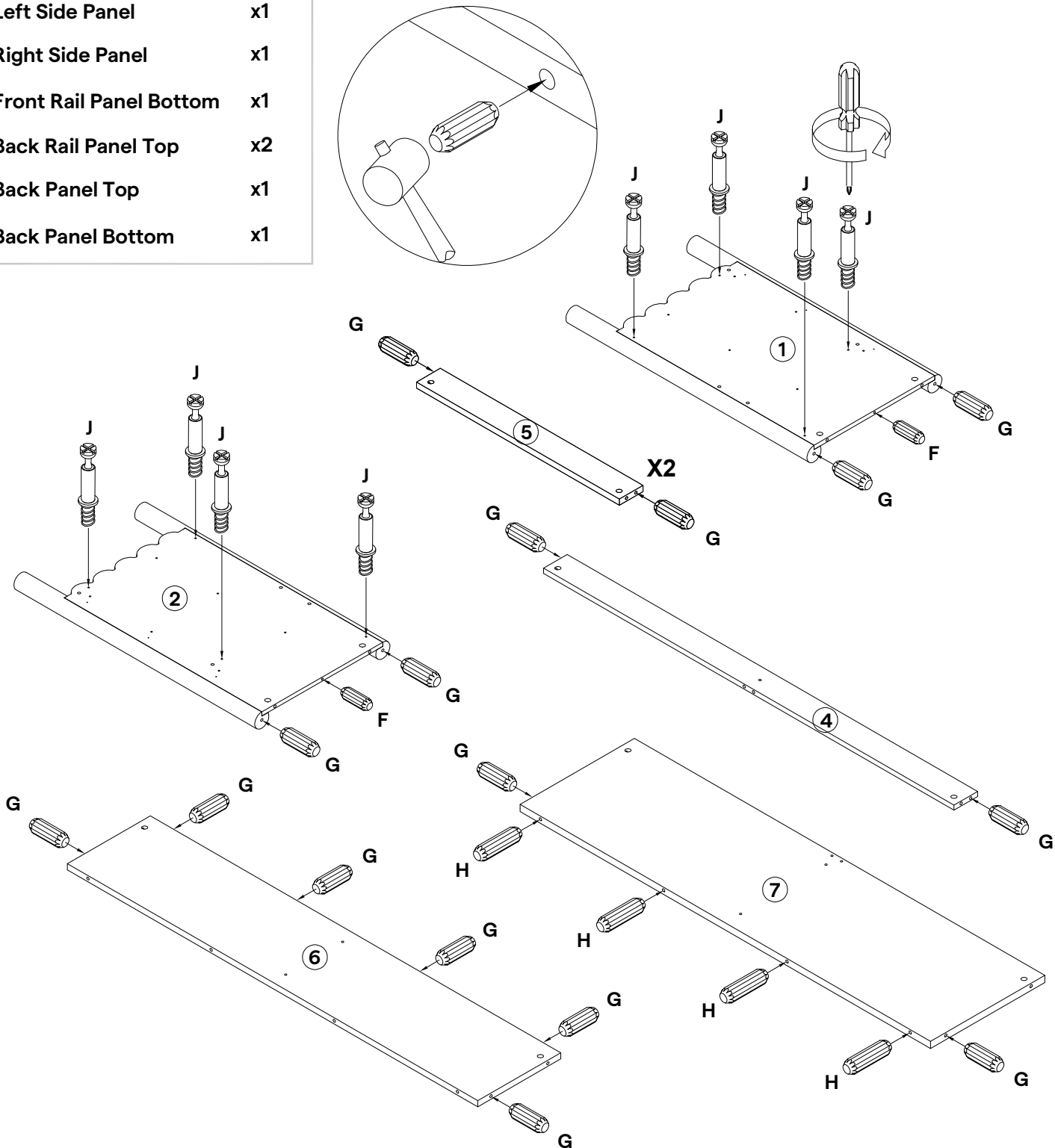
- 1** Left Side Panel x1
- 2** Right Side Panel x1
- 4** Front Rail Panel Bottom x1
- 5** Back Rail Panel Top x2
- 6** Back Panel Top x1
- 7** Back Panel Bottom x1

1.1 Insert **Wood Dowel (F)** into **Left Side Panel (1)** and **Right Side Panel (2)**.

1.2 Insert **Wood Dowel (G)** into **Left and Right Side Panel (1 and 2)**, **Front Rail Panel (4)**, **Back Rail Panel Top (5)**, **Back Panel Top (6)**, **Back Panel Bottom (7)**.

1.3 Insert **Wood Dowel (H)** into **Back Panel Bottom (7)**.

1.4 Insert **Cam Bolt (J)** into **Left and Right Side Panel (1 and 2)**, then tighten using screwdriver.



HARDWARE

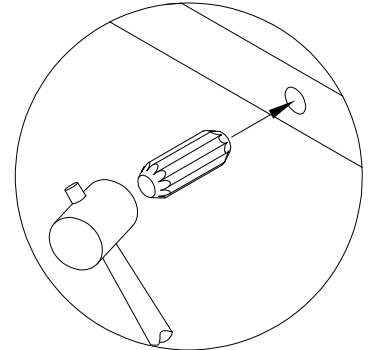
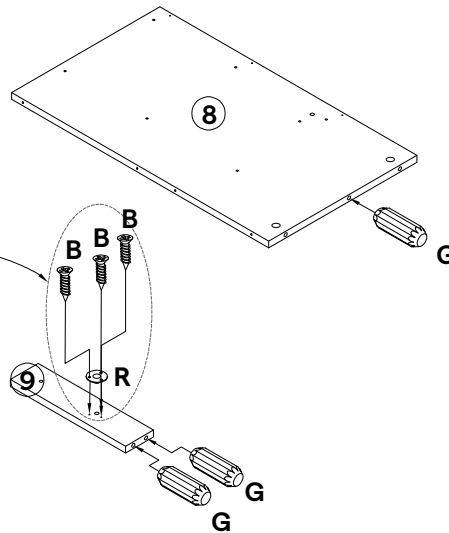
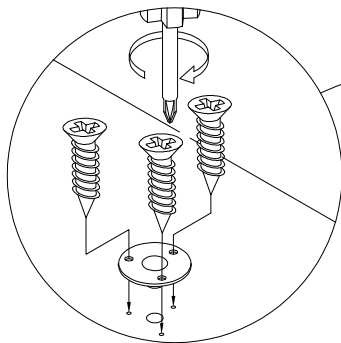
- B** Screw M3 x 16mm x3
- G** Wood Dowel Ø8 x 25mm x3
- R** Metal Bracket x1

COMPONENTS

- 8** Divider Panel x1
- 9** Support Panel x1

2.1 Attach **Metal Bracket (R)** to **Support Panel (9)** with **Screw (B)** and, then tighten using screwdriver. Ensure the position as the below details.

2.2 Insert **Wood Dowel (G)** into **Divider Panel (8)**.



STEP 03

HARDWARE

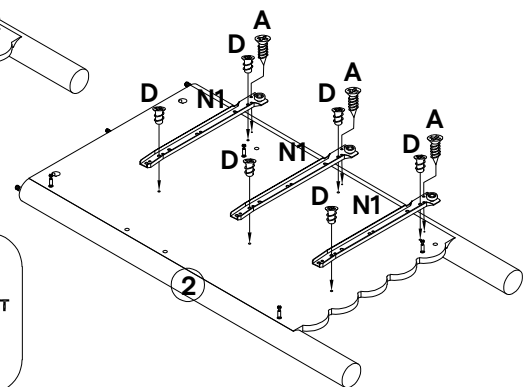
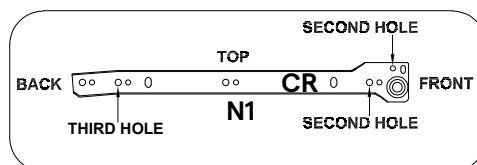
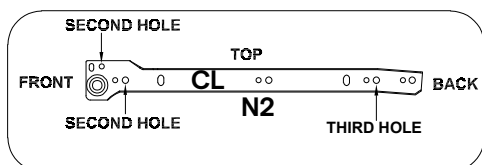
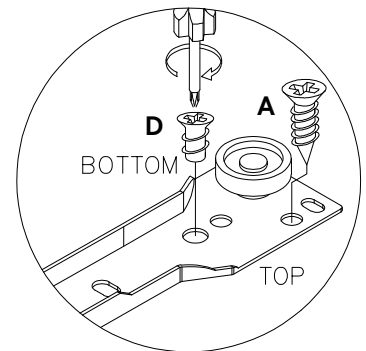
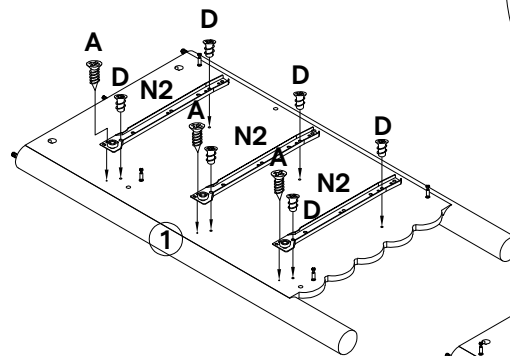
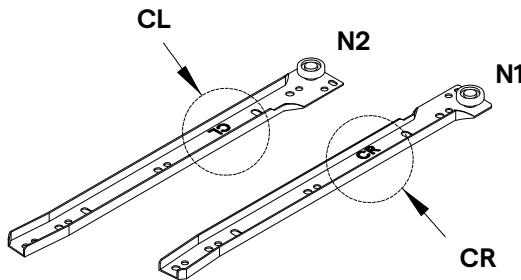
- A** Screw M3 x 12mm x6
- D** Screw M6 x 9mm x12
- N1** Drawer Slide CR (300mm) x3
- N2** Drawer Slide CL (300mm) x3

COMPONENTS

- 1** Left Side Panel x1
- 2** Right Side Panel x1

3.1 Attach **Drawer Slide CR (N1)** to **Right Side Panel (2)** with **Screw (A)** and **Screw (D)** then tighten using screwdriver. Ensure the position as the below details.

3.2 Attach **Drawer Slide CL (N2)** to **Left Side Panel (1)** with **Screw (A)** and **Screw (D)** then tighten using screwdriver. Ensure the position as the below details.



HARDWARE

- A** Screw M3 x 12mm x6
- D** Screw M6 x 9mm x12
- J** Cam Bolt 20 x 5mm x2
- N1** Drawer Slide CR (300mm) x3
- N2** Drawer Slide CL (300mm) x3

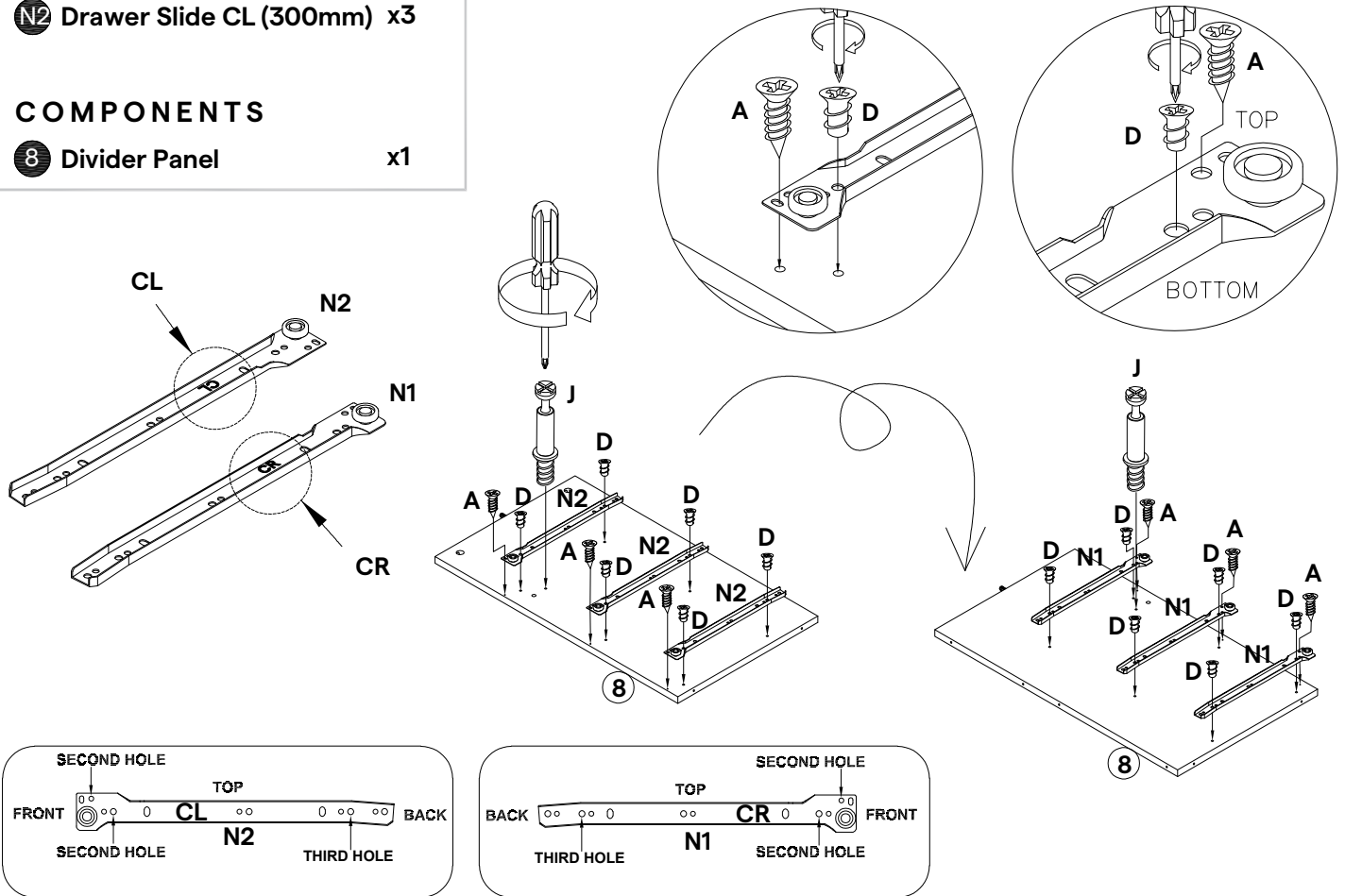
COMPONENTS

- 8** Divider Panel x1

4.1 Attach **Drawer Slide CL (N2)** to the right side of **Divider Panel (8)** with **Screw (A)** and **Screw (D)** then tighten using screwdriver. Ensure the position as the below details.

4.2 Attach **Drawer Slide CR (N1)** to the left side of **Divider Panel (8)** with **Screw (A)** and **Screw (D)** then tighten using screwdriver. Ensure the position as the below details.

4.3 Insert Cam Bolt (J) into Divider Panel (8), then tighten using screwdriver.



STEP 05

5.1 Secure **Support Panel (9)** to **Divider Panel (8)** with **Screw (E)** using the provided **Allen Key (S)**.

HARDWARE

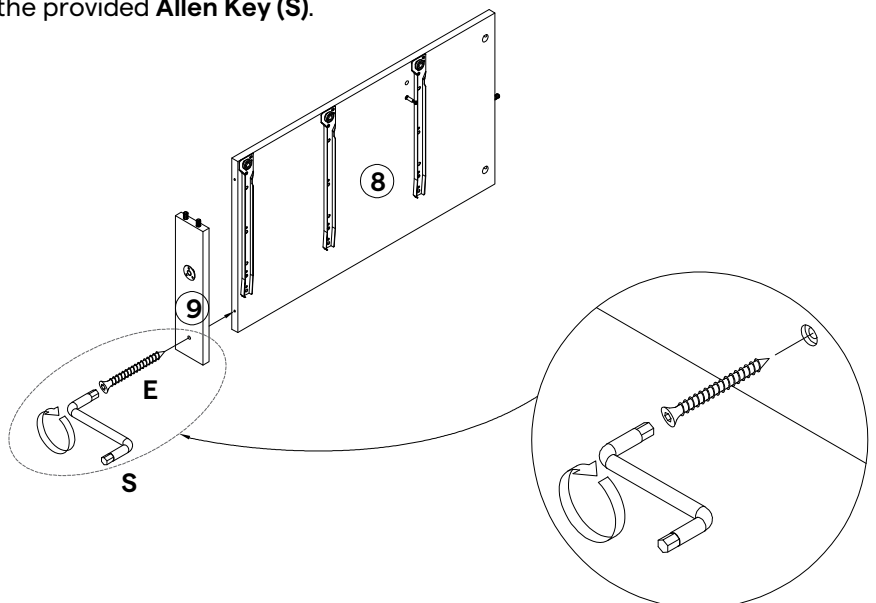
- E** Screw M6 x 40mm x1

COMPONENTS

- 8** Divider Panel x1
- 9** Support Panel x1

TOOLS

- S** Allen Key



HARDWARE

E Screw M6 x 40mm x4

COMPONENTS

7 Back Panel Bottom x1

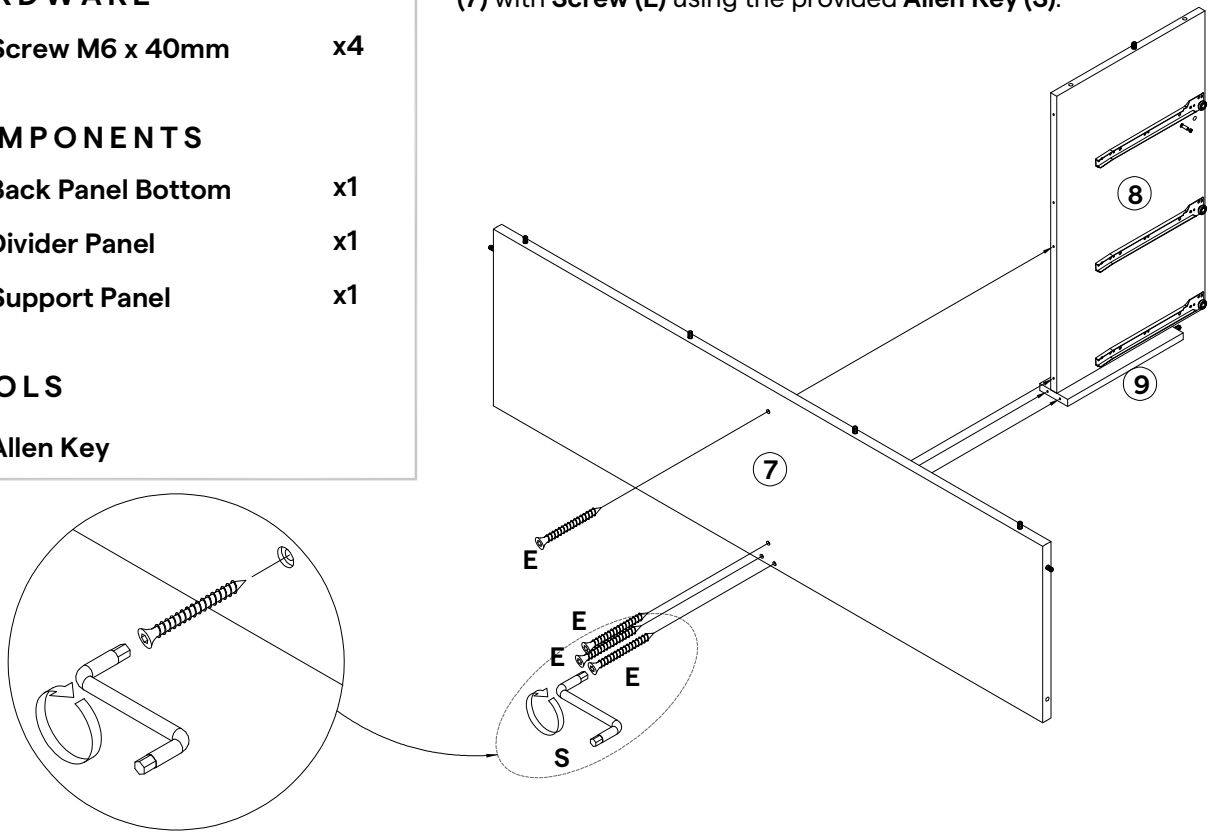
8 Divider Panel x1

9 Support Panel x1

TOOLS

S Allen Key

6.1 Secure **Divider Panel (8)** and **Support Panel (9)** to **Back Panel Bottom (7)** with **Screw (E)** using the provided **Allen Key (S)**.



STEP 07

HARDWARE

E Screw M6 x 40mm x2

COMPONENTS

6 Back Panel Top x1

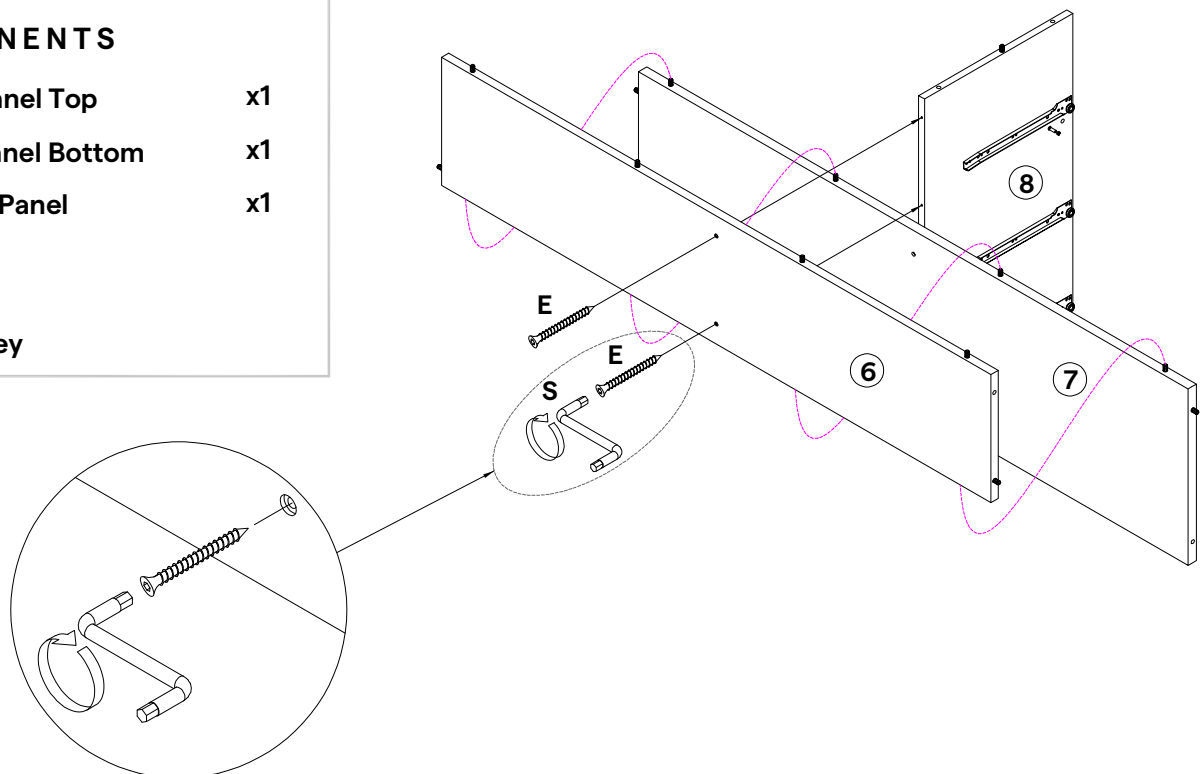
7 Back Panel Bottom x1

8 Divider Panel x1

TOOLS

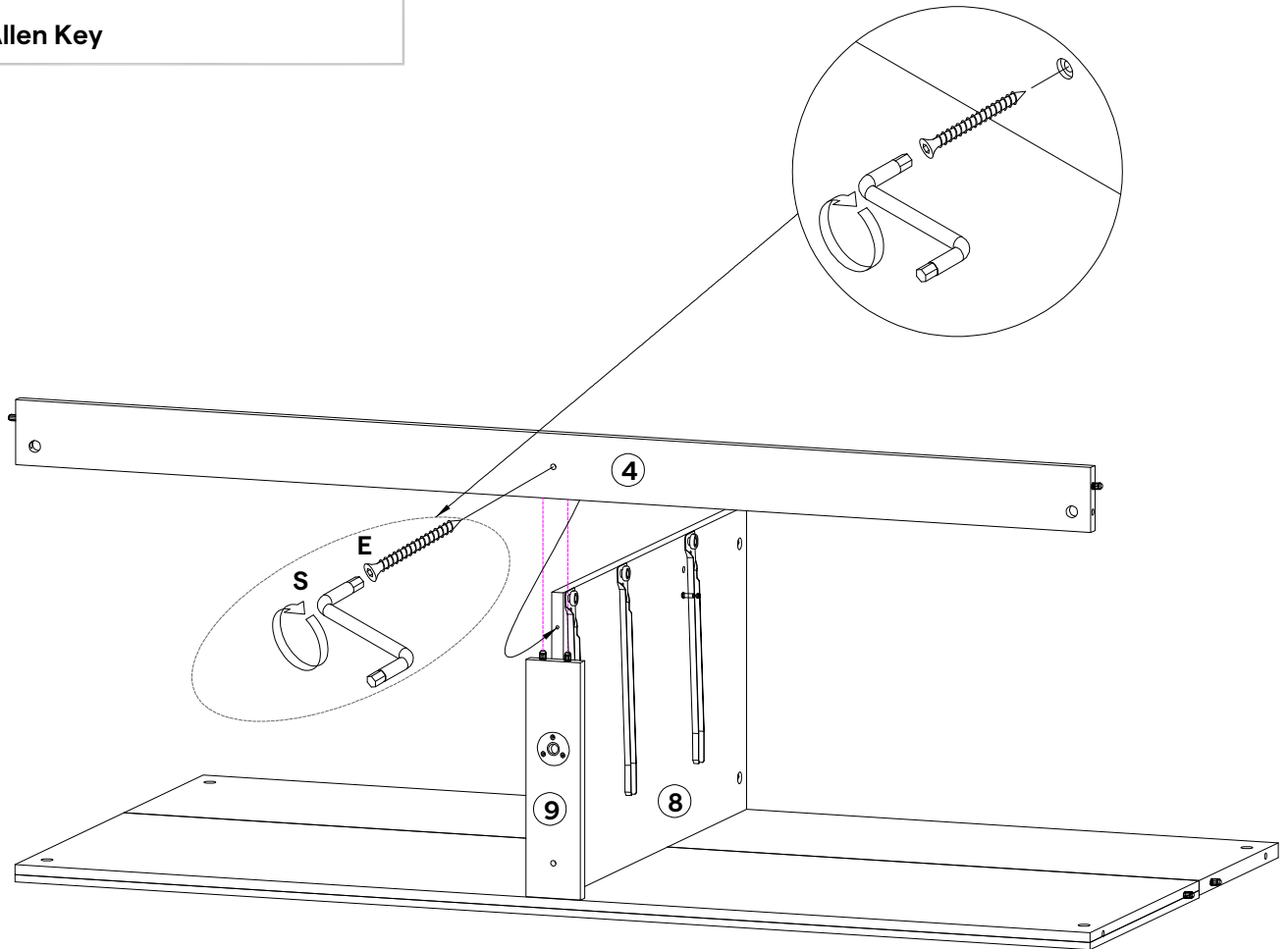
S Allen Key

7.1 Secure **Back Panel Top (6)** to **Back Panel Bottom (7)** and **Divider Panel (8)** with **Screw (E)** using the provided **Allen Key (S)**.



HARDWARE**E** Screw M6 x 40mm x1**COMPONENTS****4** Front Rail Panel Bottom x1**8** Divider Panel x1**9** Support Panel x1**TOOLS****S** Allen Key

8.1 Secure **Front Rail Panel Bottom (4)** to **Divider Panel (8)** and **Support Panel (9)** with **Screw (E)** using the provided **Allen Key (S)**.



HARDWARE

K Cam Lock 15/12 x5

COMPONENTS

1 Left Side Panel x1

4 Front Rail Panel Bottom x1

5 Front Rail Panel Top x1

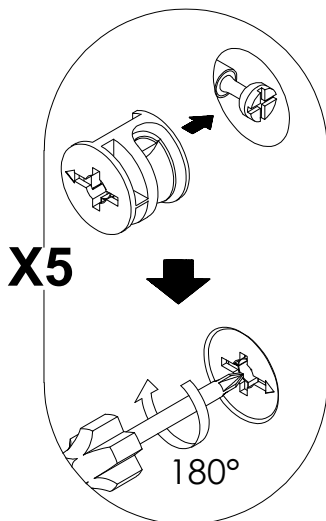
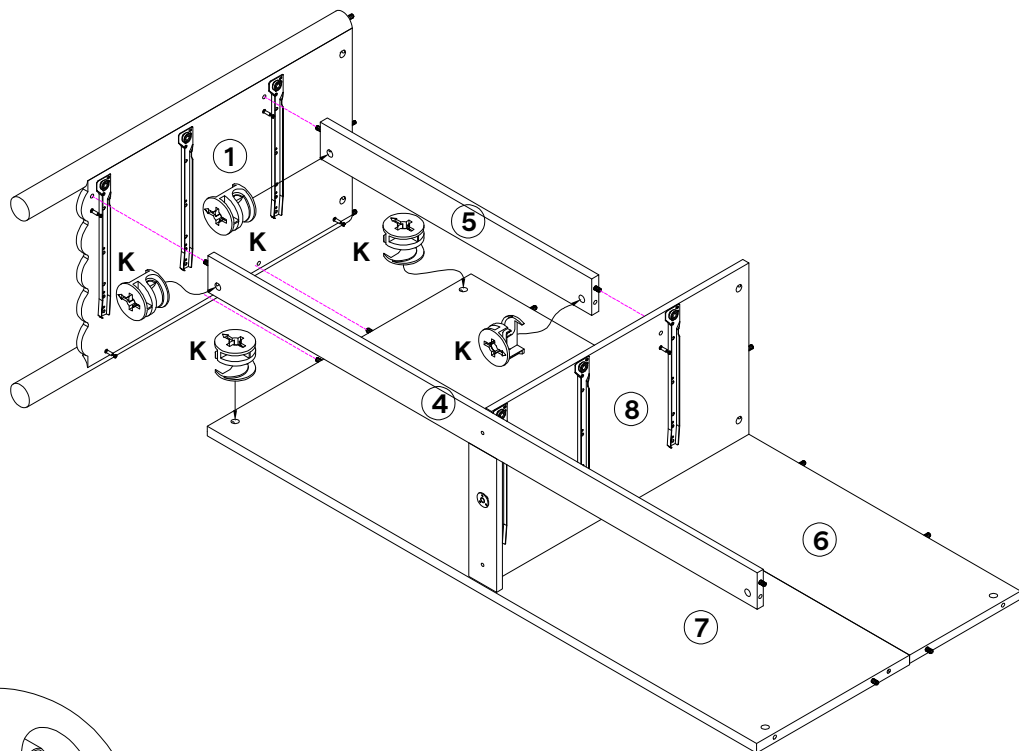
6 Back Panel Top x1

7 Back Panel Bottom x1

8 Divider Panel x1

9.1 Connect **Front Rail Panel Top (5)** to **Divider Panel (8)** by inserting **Cam Lock (K)** to the corresponding holes, then tighten using screwdriver.

9.2 Connect **Left Side Panel (1)** to **Front Rail Panel Bottom (4)**, **Front Rail Panel Top (5)**, **Back Panel Top (6)**, **Back Panel Bottom (7)** by inserting **Cam Lock (K)** to the corresponding holes, then tighten using screwdriver.



HARDWARE

K Cam Lock 15/12 x5

COMPONENTS

2 Right Side Panel x1

4 Front Rail Panel Bottom x1

5 Front Rail Panel Top x1

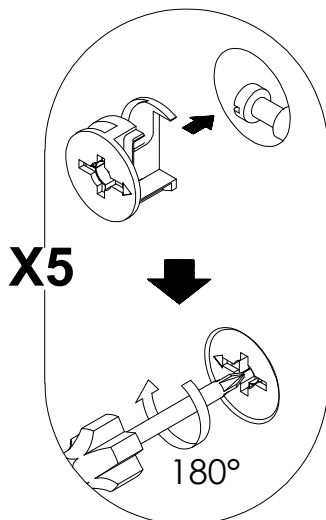
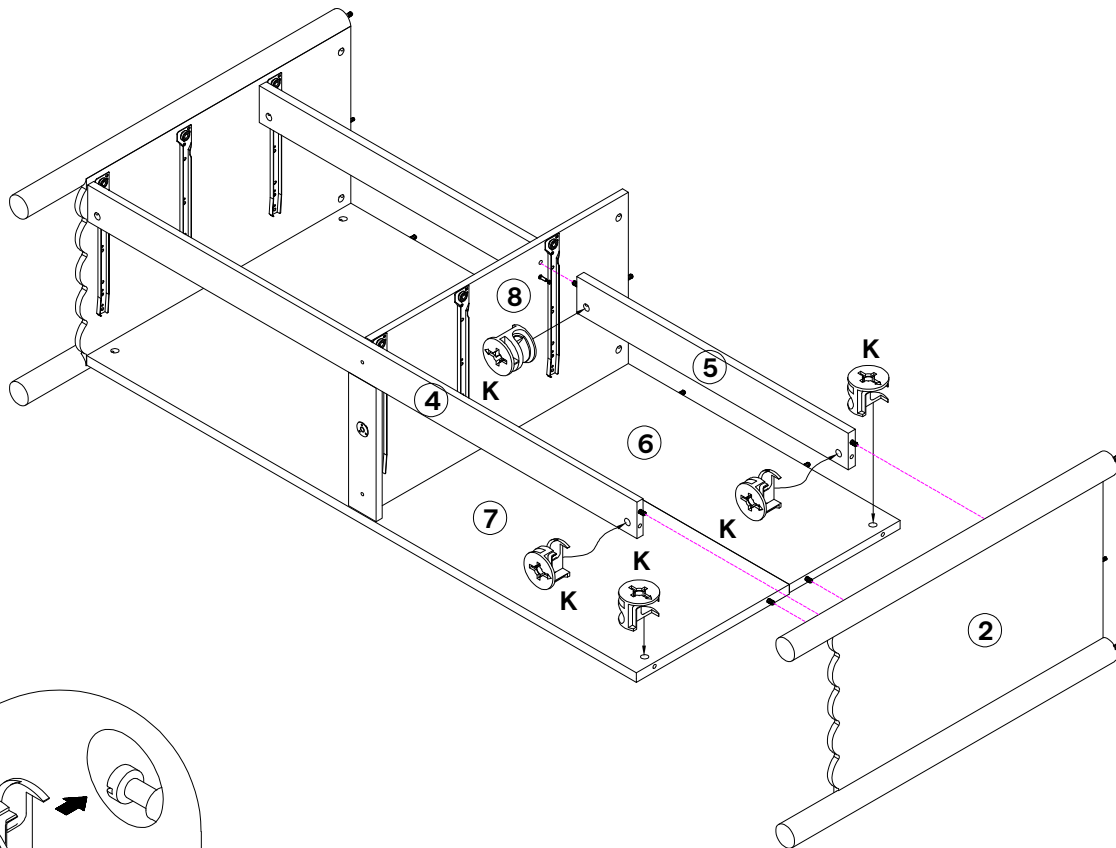
6 Back Panel Top x1

7 Back Panel Bottom x1

8 Divider Panel x1

10.1 Connect **Front Rail Panel Top (5)** to **Divider Panel (8)** by inserting **Cam Lock (K)** into the corresponding holes then tighten using screwdriver.

10.2 Connect **Right Side Panel (2)** to **Front Rail Panel Bottom (4)**, **Front Rail Panel Top (5)**, **Back Panel Top (6)** and **Back Panel Bottom (7)** by inserting **Cam Lock (K)** into the corresponding holes, then tighten using screwdriver.



HARDWARE

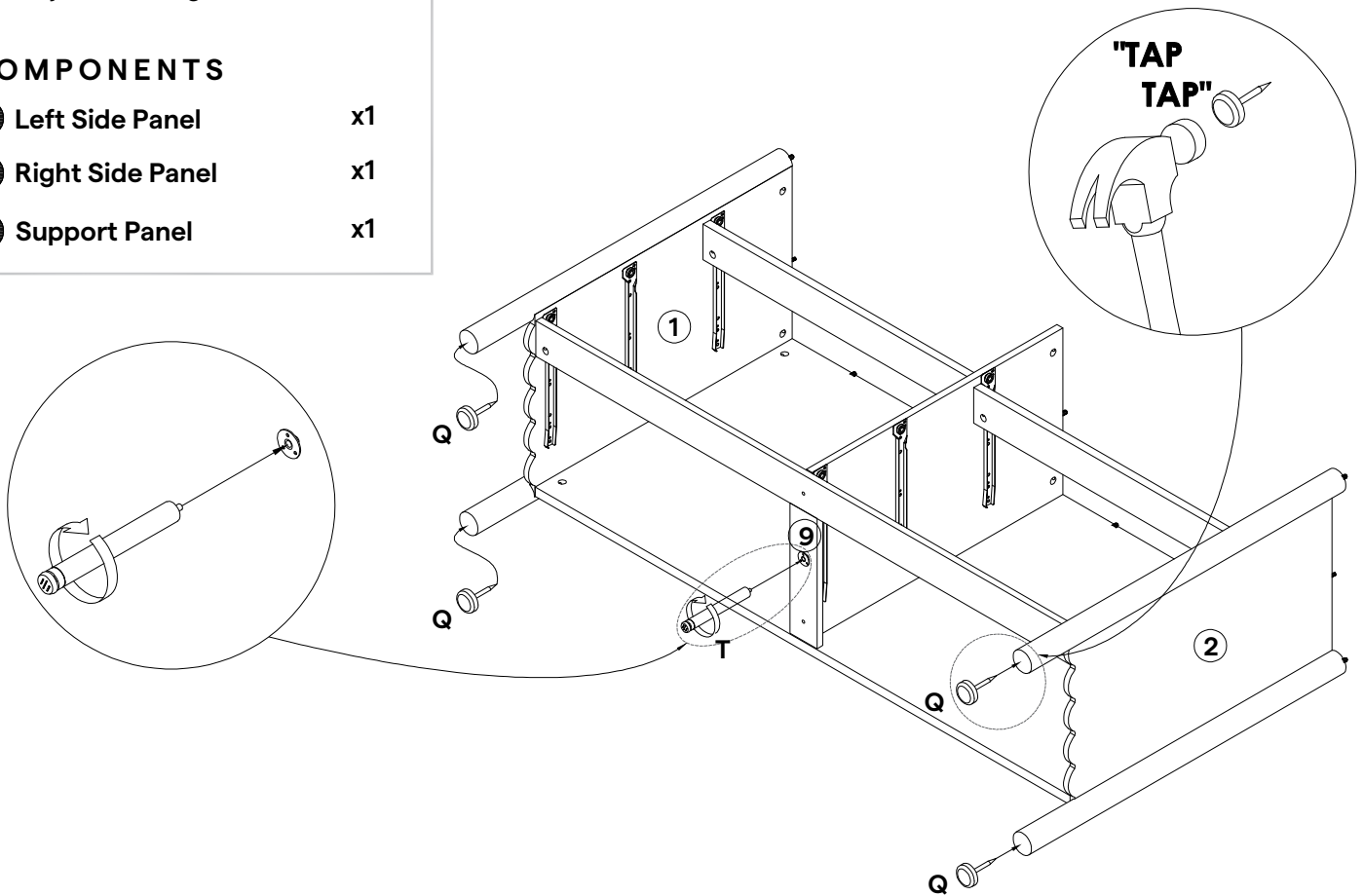
- Q** Plastic Leg Stud x4
- T** Adjustable Leg x1

COMPONENTS

- 1** Left Side Panel x1
- 2** Right Side Panel x1
- 9** Support Panel x1

11.1 Insert **Plastic Leg Stud (Q)** to **Left Side Panel (1)** and **Right Side Panel (2)**, ensure the position as the below details.

11.2 Secure **Adjustable Leg (T)** to **Metal Bracket (R)** on **Support Panel (9)**.



STEP 12

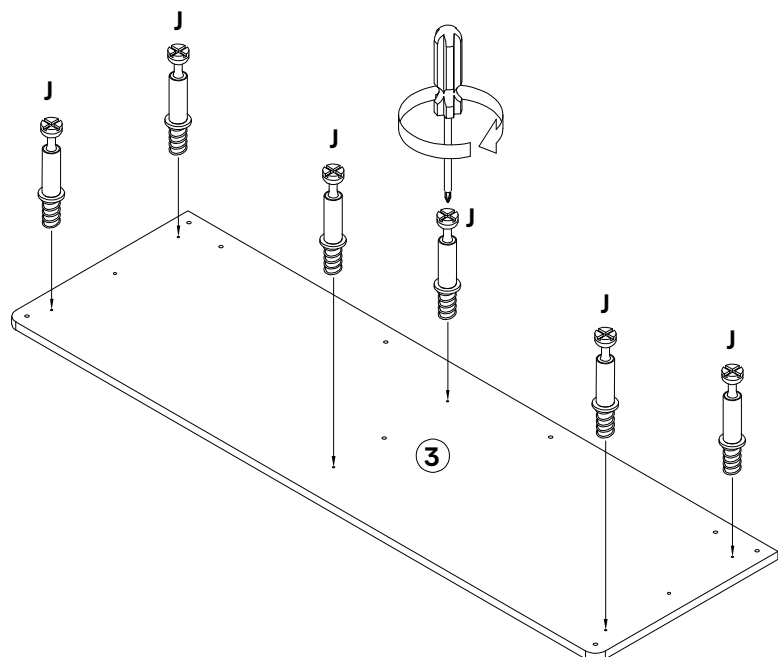
HARDWARE

- J** Cam Bolt 20 x 5mm x6

COMPONENTS

- 3** Top Panel x1

12.1 Insert **Cam Bolt (J)** into **Top Panel (3)**, then tighten using screwdriver.



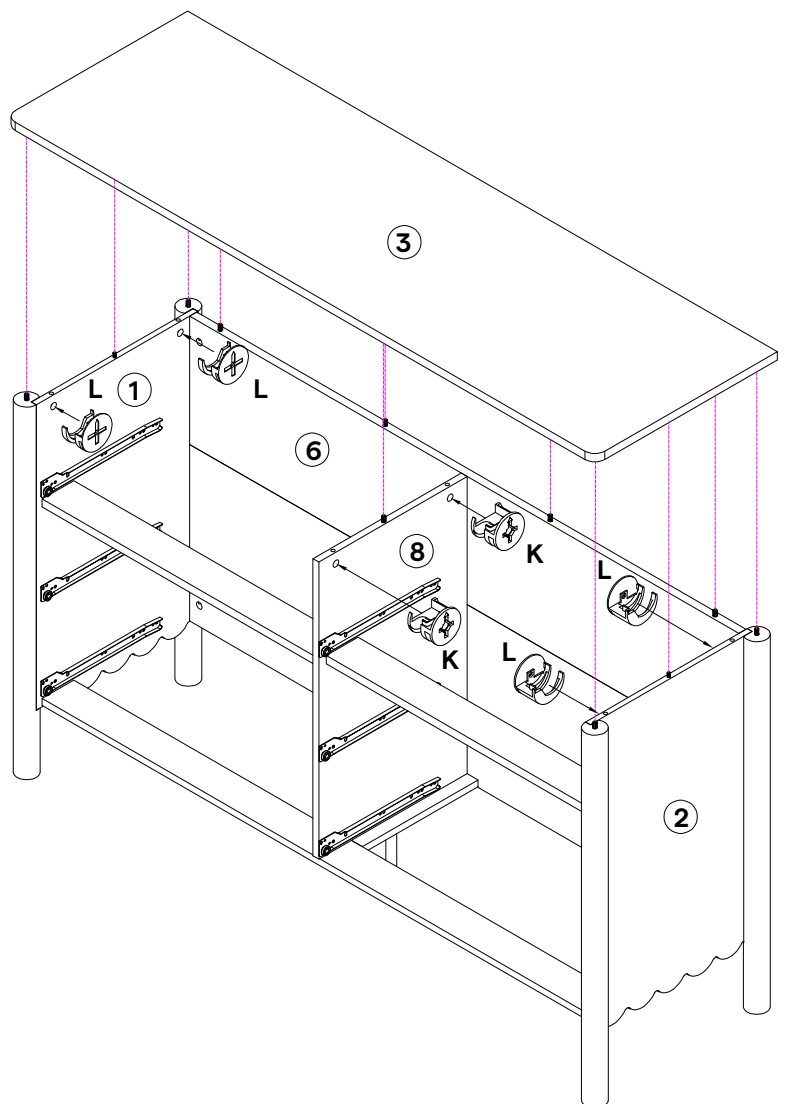
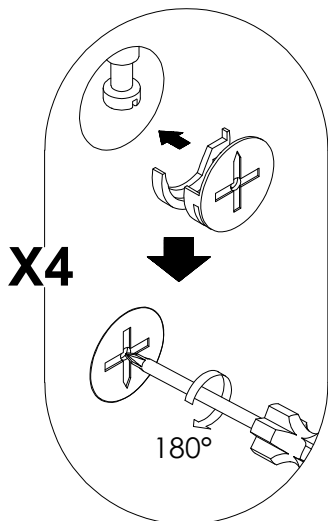
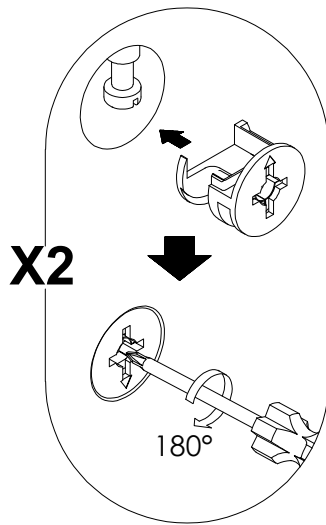
HARDWARE

- K** Cam Lock 15/12 x2
- L** Cam Lock 15/9 x4

COMPONENTS

- 1** Left Side Panel x1
- 2** Right Side Panel x1
- 3** Top Panel x1
- 6** Back Panel Top x1
- 8** Divider Panel x1

13.1 Connect **Top Panel (3)** to **Left Side Panel (1)**, **Right Side Panel (2)**, **Back Panel Top (6)** and **Divider Panel (8)** by inserting **Cam Lock (K)** and **(L)** into the corresponding holes, then tighten using screwdriver.



HARDWARE

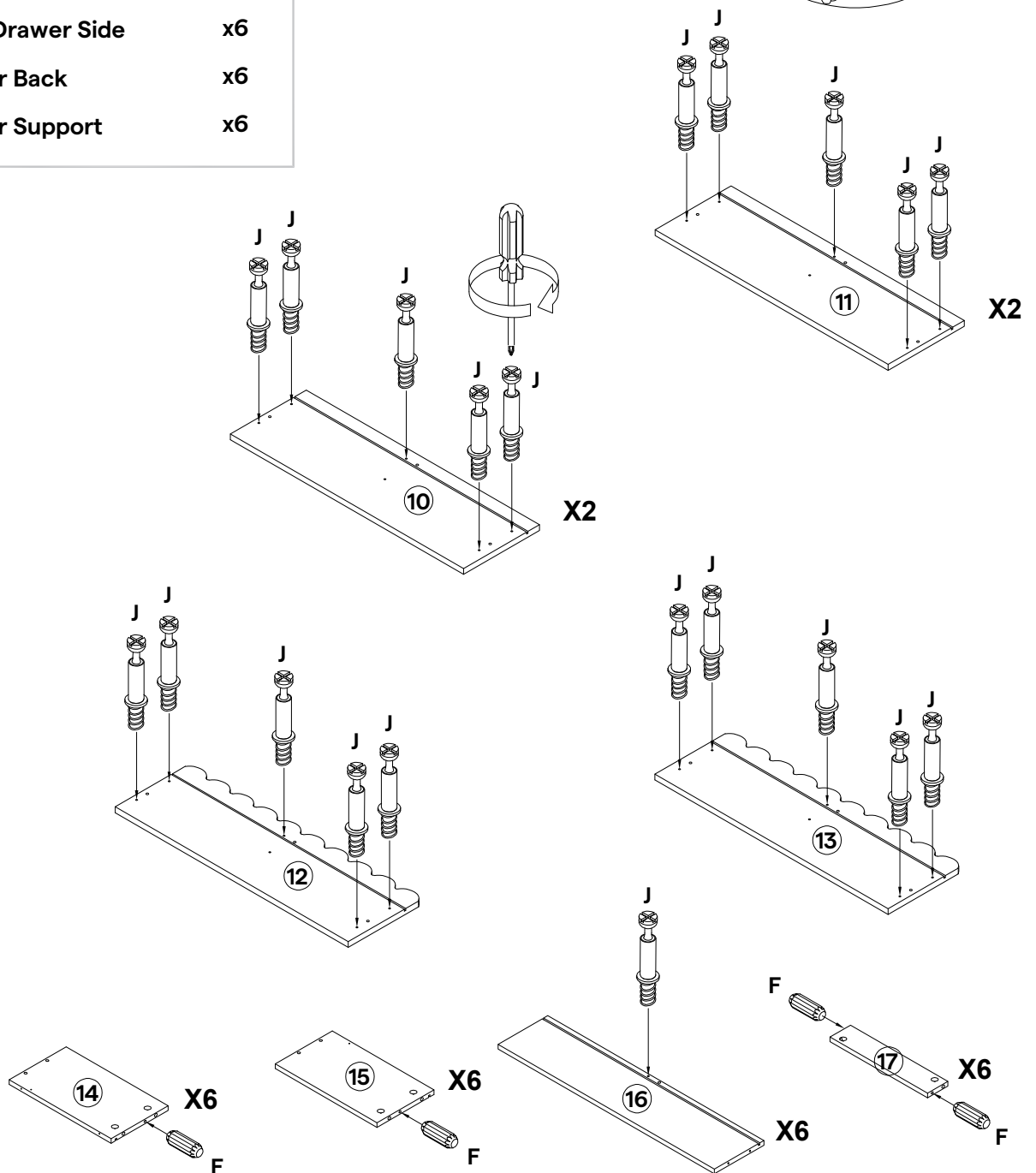
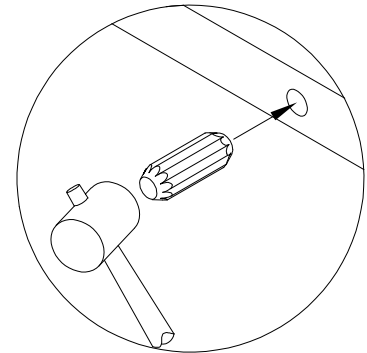
- F** Wood Dowel Ø6 x 20mm x24
- J** Cam Bolt 20 x 5mm x36

COMPONENTS

- 10** Left Drawer Front x2
- 11** Right Drawer Front x2
- 12** Left Drawer Front Bottom x1
- 13** Right Drawer Front Bottom x1
- 14** Left Drawer Side x6
- 15** Right Drawer Side x6
- 16** Drawer Back x6
- 17** Drawer Support x6

14.1 Insert **Wood Dowel (F)** into **Left Drawer Side (14)**, **Right Drawer Side (15)** and **Drawer Support (17)**.

14.2 Insert **Cam Bolt (J)** into **Left Drawer Front (10)**, **Right Drawer Front (11)**, **Left Drawer Front Bottom (12)**, **Right Drawer Front Bottom (13)** and **Drawer Back (16)**.



HARDWARE

L Cam Lock 15/9 x20

COMPONENTS

10 Left Drawer Front x2

11 Right Drawer Front x2

14 Left Drawer Side x4

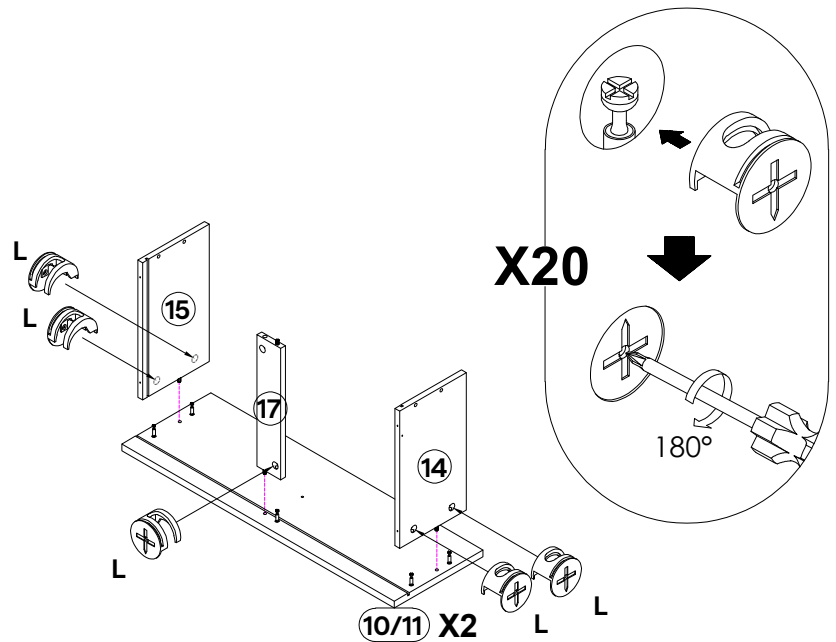
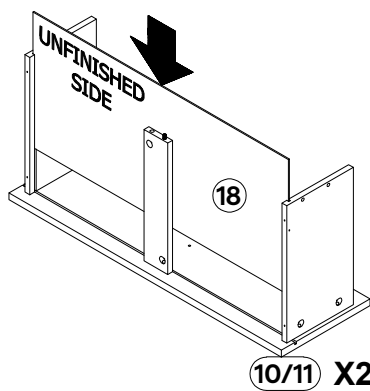
15 Right Drawer Side x4

17 Drawer Support x4

18 Drawer Bottom x4

15.1 Connect **Left Drawer Side (14)**, **Right Drawer Side (15)** and **Drawer Support (17)** to **Left Drawer Front (10)** and **Right Drawer Front (11)** by inserting **Cam Lock (L)** to the corresponding holes, then tighten using screwdriver.

15.2 Slot **Drawer Bottom (18)** into the drawer body.



STEP 16

HARDWARE

L Cam Lock 15/9 x10

COMPONENTS

12 Left Drawer Front Bottom x1

13 Right Drawer Front Bottom x1

14 Left Drawer Side x2

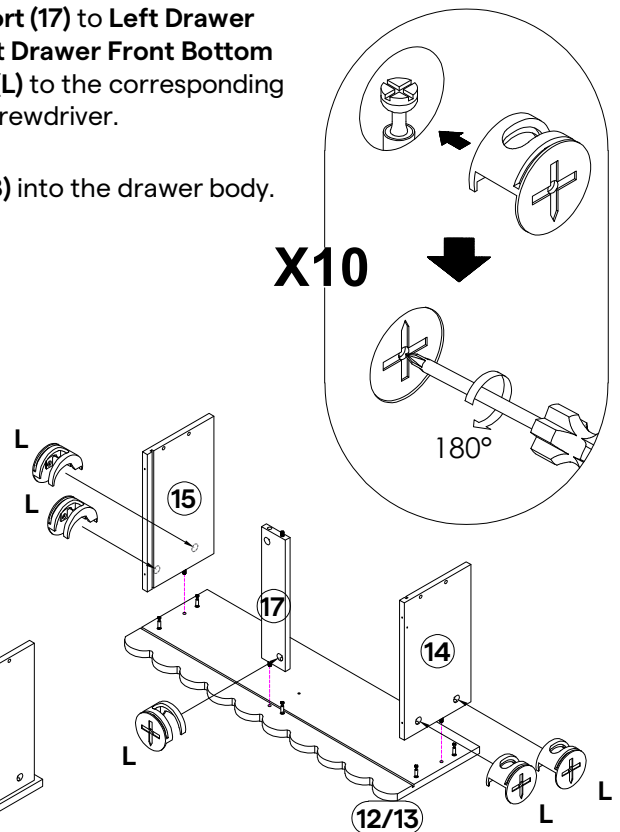
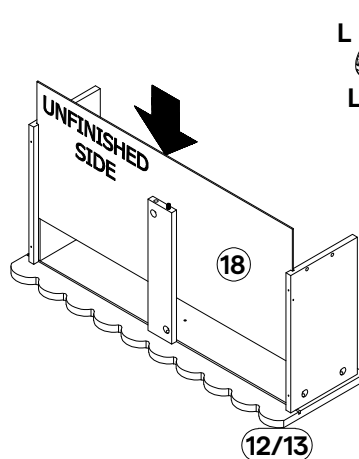
15 Right Drawer Side x2

17 Drawer Support x2

18 Drawer Bottom x2

16.1 Connect **Left Drawer Side (14)**, **Right Drawer Side (15)** and **Drawer Support (17)** to **Left Drawer Front Bottom (12)** and **Right Drawer Front Bottom (13)** by inserting **Cam Lock (L)** to the corresponding holes, then tighten using screwdriver.

16.2 Slot **Drawer Bottom (18)** into the drawer body.



HARDWARE

- E** Screw M6 x 40mm x24
- L** Cam Lock 15/12 x6

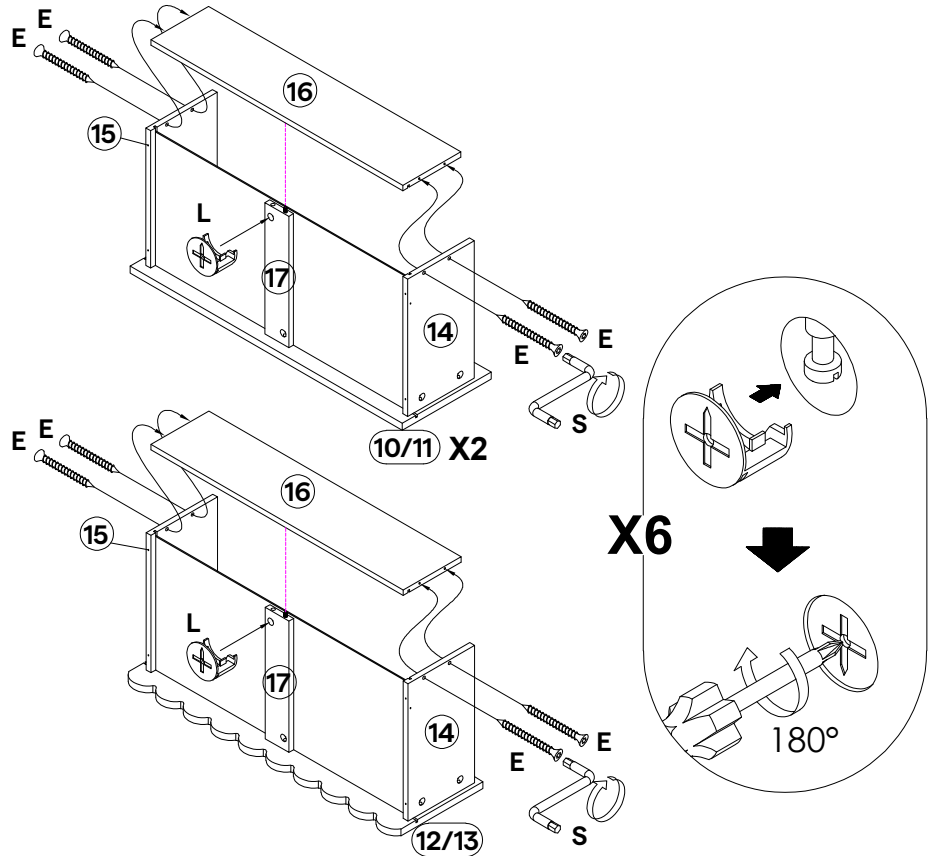
COMPONENTS

- 10** Left Drawer Front x2
- 11** Right Drawer Front x2
- 12** Left Drawer Front Bottom x1
- 13** Right Drawer Front Bottom x1
- 14** Left Drawer Side x6
- 15** Right Drawer Side x6
- 16** Drawer Back x6
- 17** Drawer Support x6

TOOLS

- S** Allen Key

17.1 Secure Drawer Back (16) to Left Drawer Side (14), Right Drawer Side (15) and Drawer Support (17) with Screw (E) by using the provided Allen Key (S) and by inserting Cam Lock (L) to the corresponding holes, then tighten using screwdriver.



STEP 18

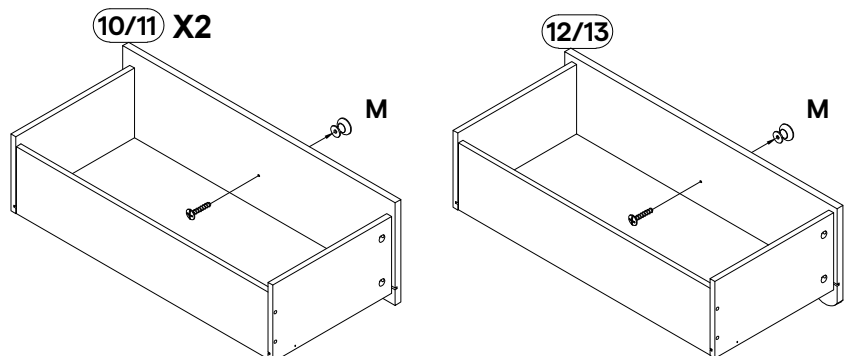
HARDWARE

- M** Handle x6

COMPONENTS

- 10** Left Drawer Front x2
- 11** Right Drawer Front x2
- 12** Left Drawer Front Bottom x1
- 13** Right Drawer Front Bottom x1

18.1 Install Handle (M) to the front of Left Drawer Front (10) and Right Drawer Front (11), Left Drawer Front Bottom (12) and Right Drawer Front Bottom (13), then tighten using screwdriver.



HARDWARE

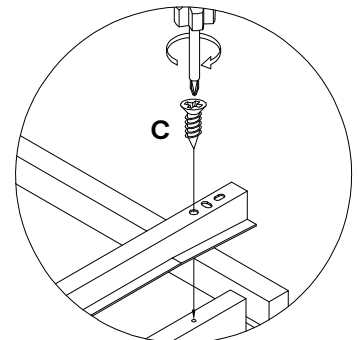
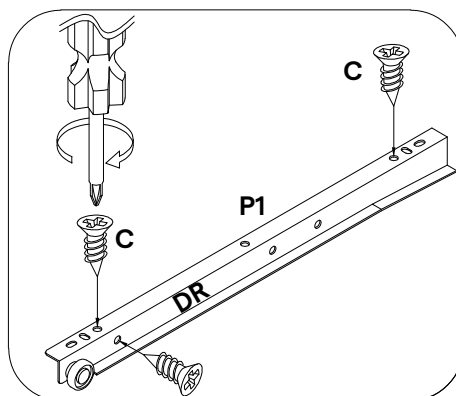
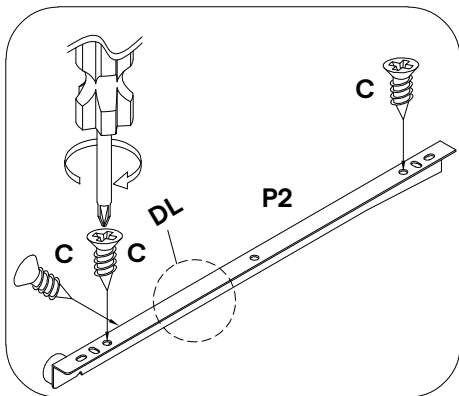
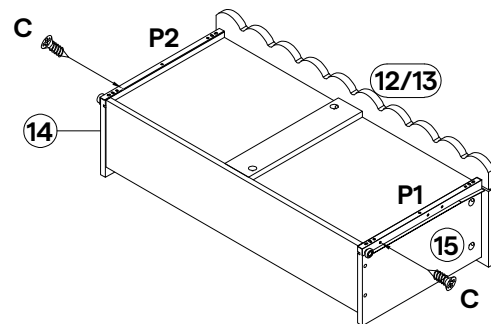
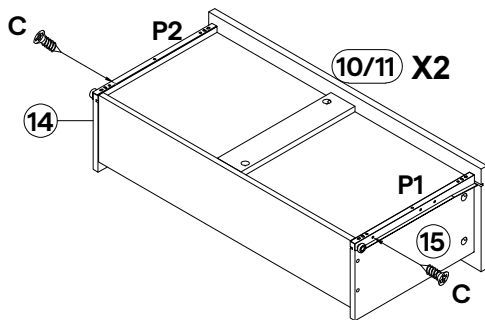
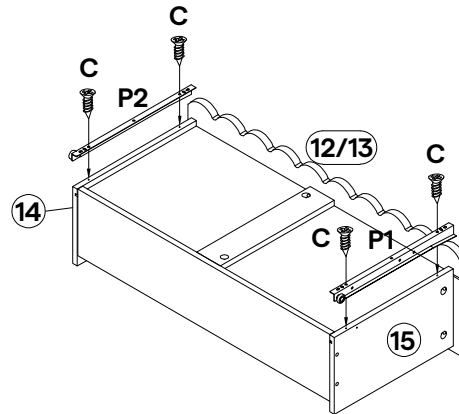
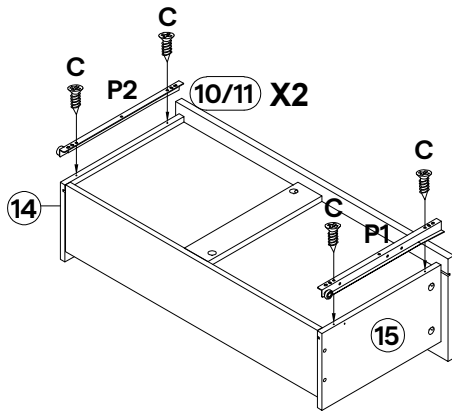
- C** Screw M3.5 x 12mm x36
- P1** Drawer Slide DR (300mm) x6
- P2** Drawer Slide DL (300mm) x6

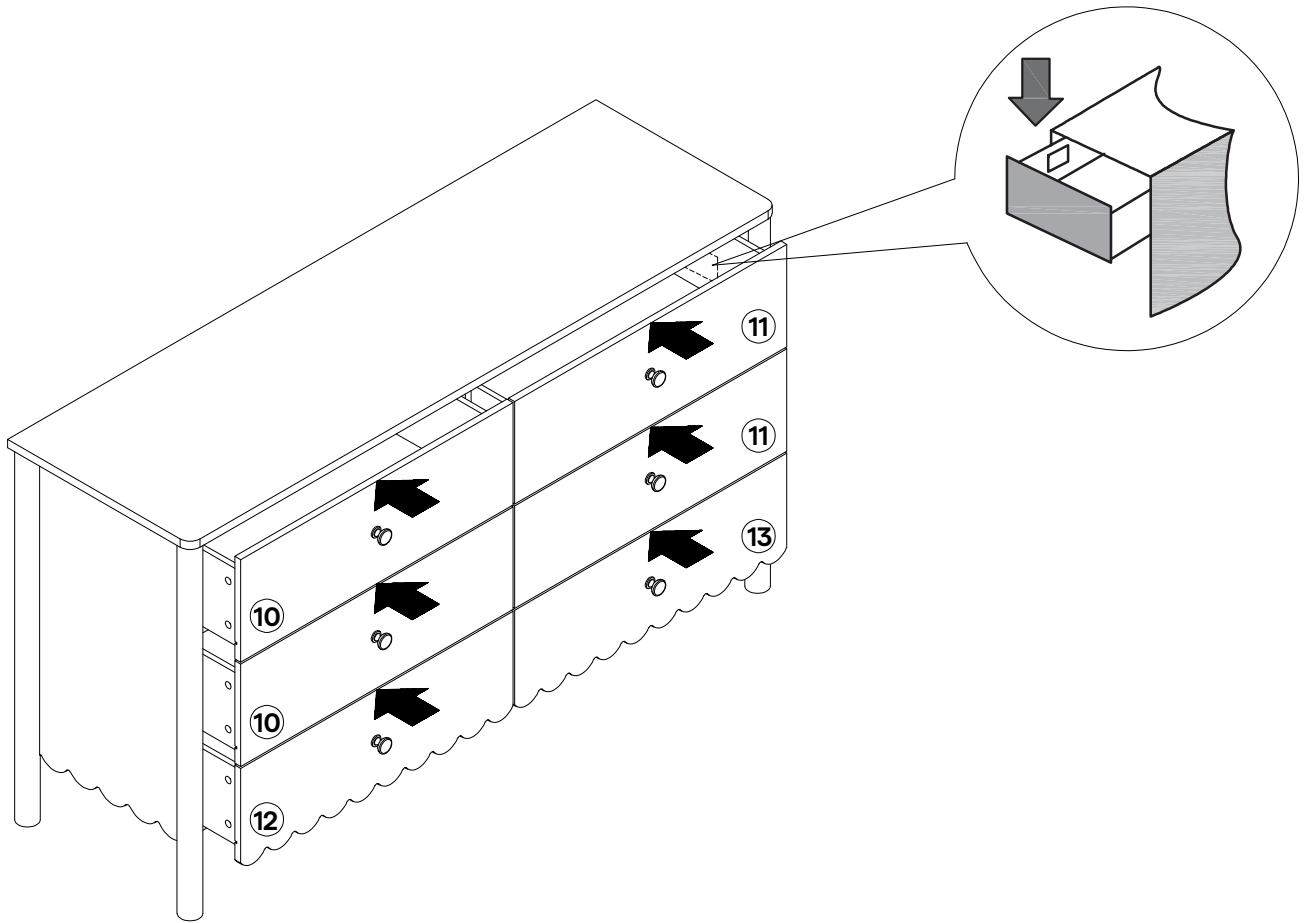
COMPONENTS

- 14** Left Drawer Side x6
- 15** Right Drawer Side x6

19.1 Secure **Drawer Slide DR (P1)** to **Right Drawer Side (15)** with **Screw (C)**, then tighten using screwdriver.

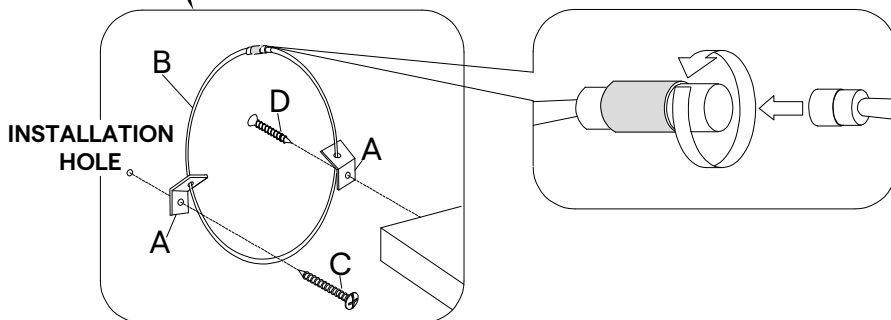
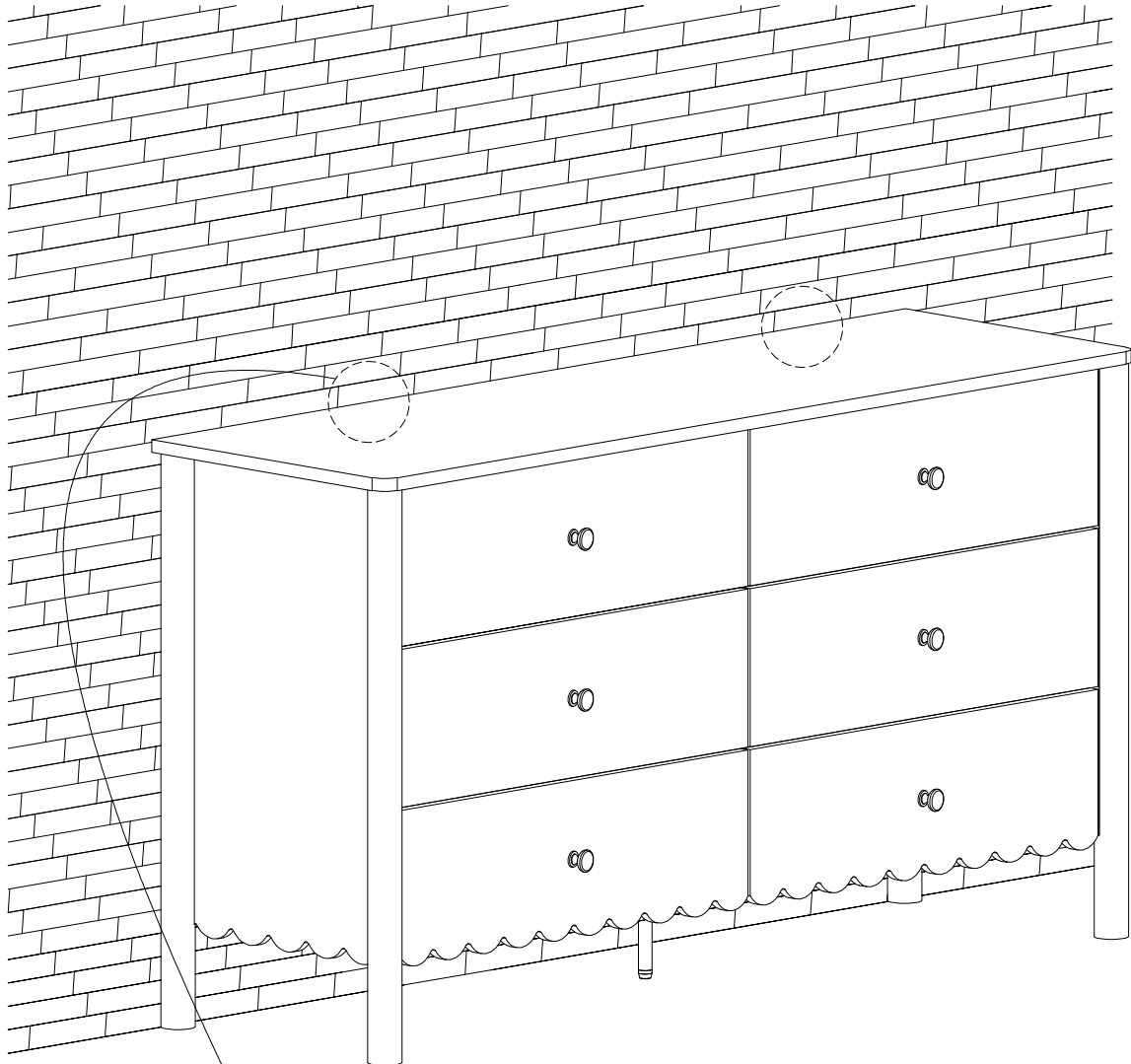
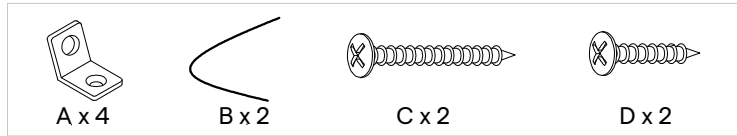
19.2 Secure **Drawer Slide DL (P2)** to **Left Drawer Side (14)** with **Screw (C)**, then tighten using screwdriver.





TIPPING RESTRAINTS KIT INSTALLATION GUIDANCE

This tipping restraint is not an earthquake restraint. If you wish to add the extra security of earthquake restraints, they must be purchased and installed separately.



Installation Instructions :

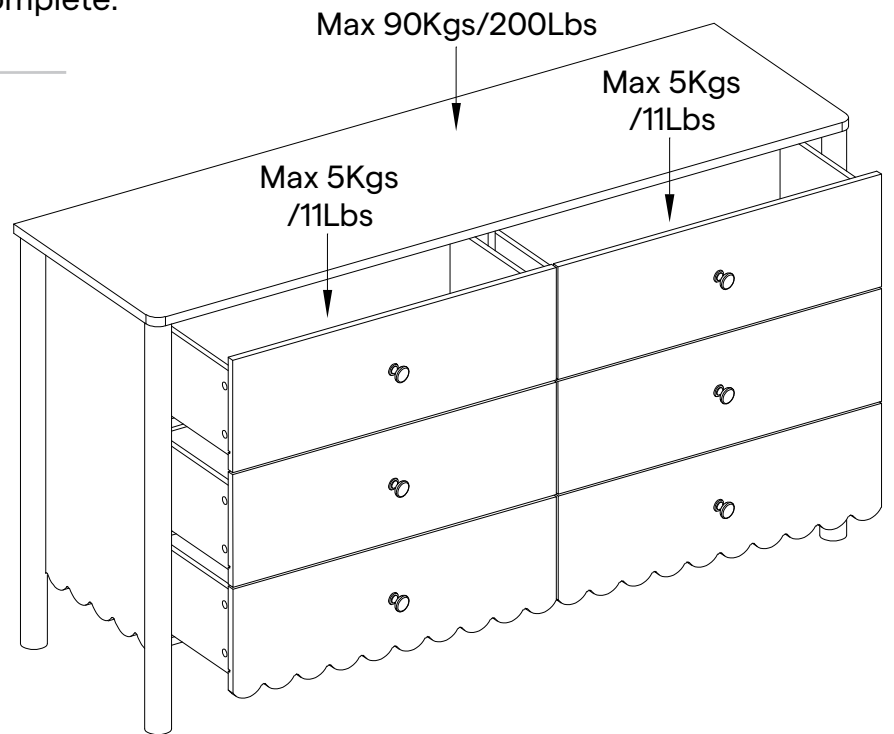
1. Determine where the furniture is to be placed and find the center line of a wooden stud using a stud finder.
2. Drill a 1/8" pilot hole on the wooden stud approximately 3" below the height of unit top.
3. Attach one bracket (A) securely with screw (C) into the pilot hole on the wall.
4. Position the furniture in place and attach the other bracket (A) with screw (D) to the back edge of unit top in line with the bracket (A) on the wall.
5. Put the male end of the steel cable (B) through each bracket. Securely connect both ends together by turning the female connector clockwise.

Great job!

Your drawer dresser assembly is complete.

CARING FOR YOUR ITEM

- Indoor use only.
- Not contract grade.
- Clean using a non-abrasive cloth and a mild cleaner.
- Never use harsh chemicals, as they could damage the finish or integrity of the item.



CONNECT WITH US!

Tag us [@modway_furniture](#) and [#modway](#) for a chance to be featured.

modway



Questions? Contact us!

609.256.9000
cs@modway.com