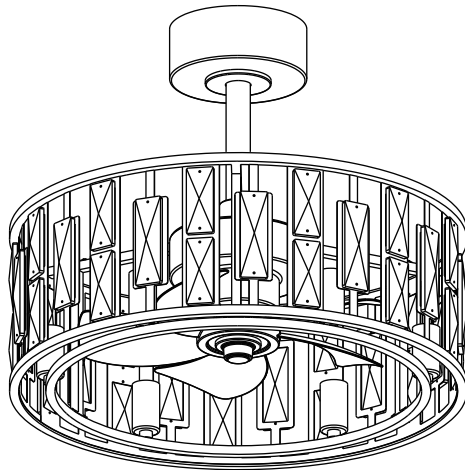


INSTALLATION & USER MANUAL

20 INCH CEILING FAN WITH LIGHT



Item#23017

Customer Service: support@ceilingfanhelp.com

Table of Contents

Table of Contents.....	2	Exploded View.....	4
Safety Information.....	2	Installation Instructions.....	5-9
Dimension Reference.....	3	Troubleshooting Guide.....	10
Hardware Included.....	3		
Fan Parts Included.....	3		

Safety Information

READ AND SAVE THESE INSTRUCTIONS.

1. To reduce the risk of electric shock, ensure the power is turned off at the circuit breaker or fuse box before installation.
2. All wiring must be in accordance with the National Electrical Code “ANSI/NFPA 70” and local electrical codes. Electrical installation should be performed by a qualified licensed electrician.
3. Make sure the outlet box and support structure are securely mounted and rated to safely support a fan weighing up to 35 lbs (15.9 kg); this fan must be installed on a UL-listed outlet box clearly marked “Acceptable for Fan Support of 35 lbs (15.9 kg) or less.” If you are unsure about safety or compatibility, please consult a qualified electrician.
4. Do not place objects in the path of the blades.
5. To clean the fixture, turn off the power, wait for it to cool, and wipe the fixture with a clean, soft cloth.
6. After making electrical connections, spliced conductors should be turned upward and carefully pushed into the outlet box. The wires should be spread apart with the grounded conductor and the equipment-grounding conductor on one side of the outlet box and ungrounded conductor on the other side of the outlet box.
7. All set screws must be checked and retightened where necessary before installation.



WARNING: To reduce the risk of electrical shock or fire, do not use this fan with any solid-state fan speed control device. Such use will permanently damage its electronic circuitry.



WARNING: To reduce the risk of personal injury, do not bend the blade brackets during installation, blade balancing, or fan cleaning.



WARNING: To reduce the risk of fire, electric shock or personal injury, mount to outlet box marked “acceptable for fan support of 35 lbs. (15.9 Kg) or less” and use screws provided with the outlet box.



WARNING: To avoid possible electrical shock, turn the electricity off at the main fuse box before wiring.



WARNING: To reduce the risk of electrical shock, this fan should not be installed with an isolating wall control or switch, as it may cause incompatibility issues.



CAUTION: To reduce the risk of personal injury, use only the screws provided with the outlet box.



CAUTION: Please use carefully when working around or cleaning the fan to avoid injury or damage to the fan.

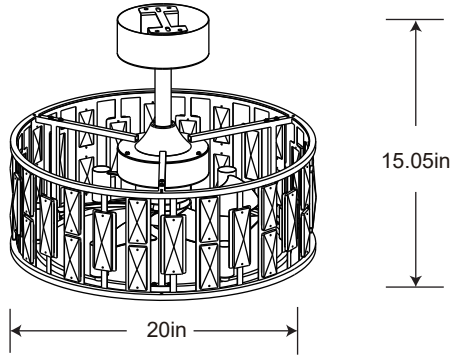


CAUTION: The fan must be mounted with a minimum of 7 ft (2.1 m) clearance from the trailing edge of the blades to the floor.





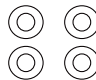
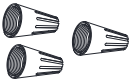


CAUTION: Changes or modifications not expressly approved by the party responsible for compliance could void the user’s authority to operate the equipment.



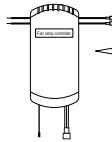






Dimension Reference



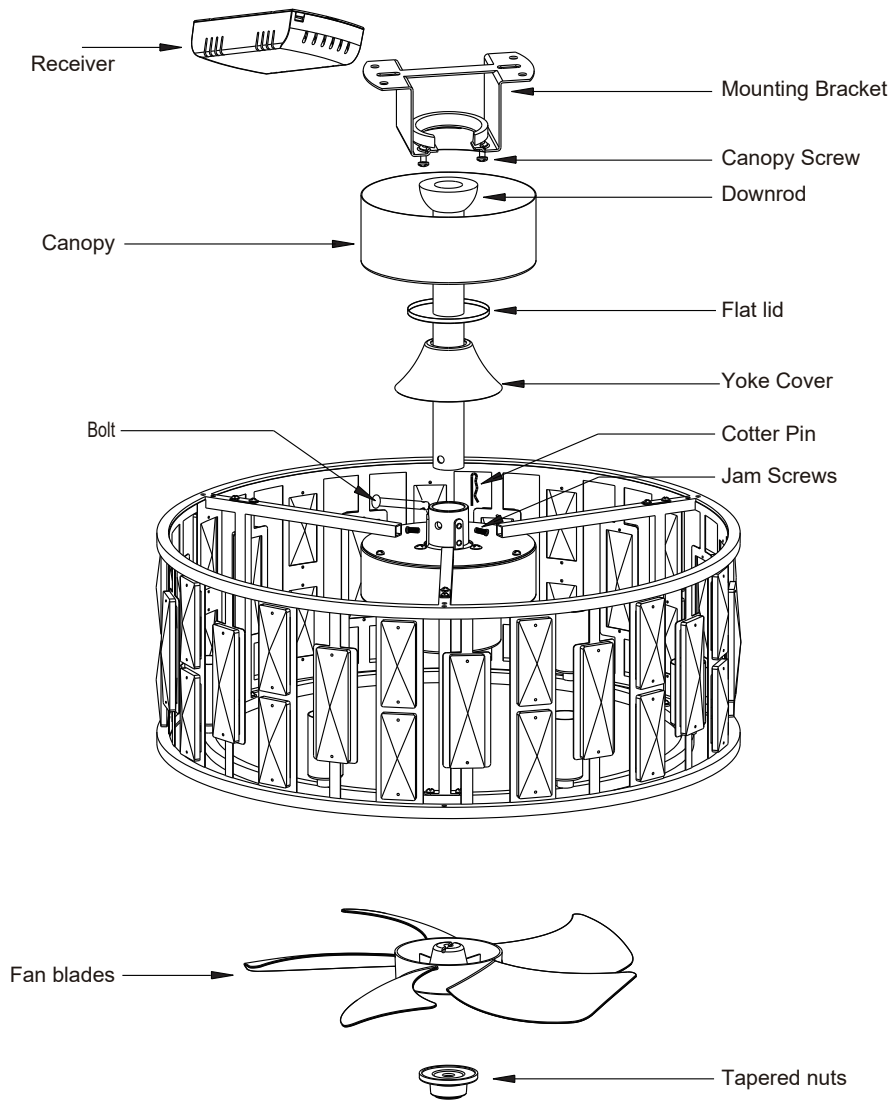
Hardware Included

	S1		S4	Hardware Package	Quantity
	S2		S5	S1. J-box screw	2
	S3			S2. Self-tapping screw	2
				S3. Washer	4
				S4. Spring washer	2+2
				S5. Wire Nut	3

Fan Parts Included

	1		5	Item Name	Quantity
	2		6	1.Remote Control	1
	3		7	2.Mounting Bracket	1
	4		8	3.Downrod	1+1
			9	4.Canopy	1
				5.Flat lid	1
				6.Yoke Cover	1
				7.Tapered nuts	1
				8.Fan blades	1
				9.Fan body	1

Exploded View

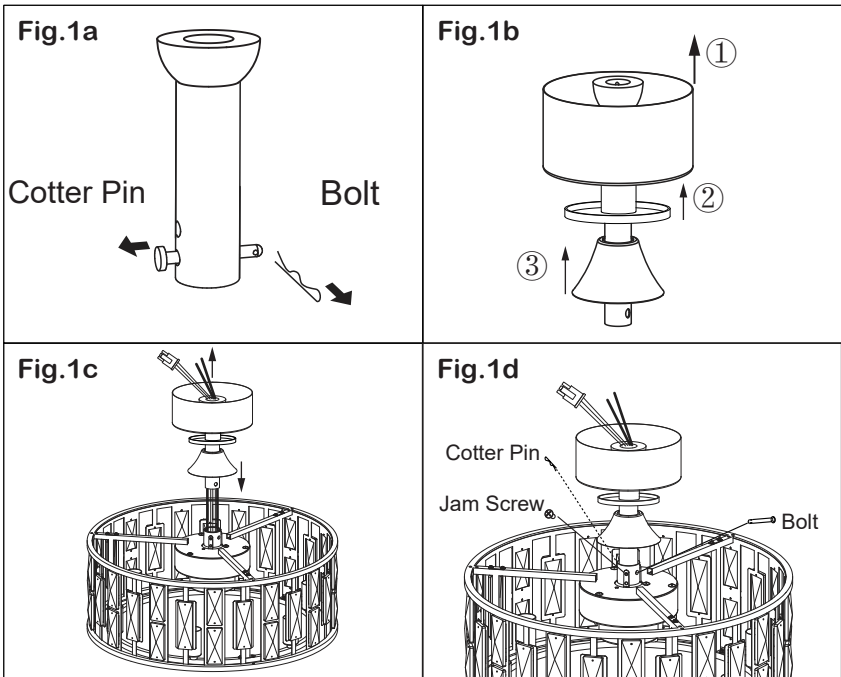


Installation Instructions

Step1 MOUNTING

- Remove the downrod assembly.
- Thread the ceiling fan wires through the downrod and pull them out from the top.
- Install the canopy and yoke cover onto the downrod in order, and finally assemble the ball onto the downrod according to the diagram.
- Insert the downrod into the yoke
- Insert the bolt through the hole in the shaft and downrod. Be careful not to damage or cut the fan wires.
- Tighten the bolt. Secure it with the cotter pin through the hole at the end of the bolt.
- Secure the downrod in position by tightening the jam screws.
- Slide the yoke cover down, and it will be flush with the motor housing.

CAUTION: To ensure stability and prevent damage, fully tighten the downrod and set screws.

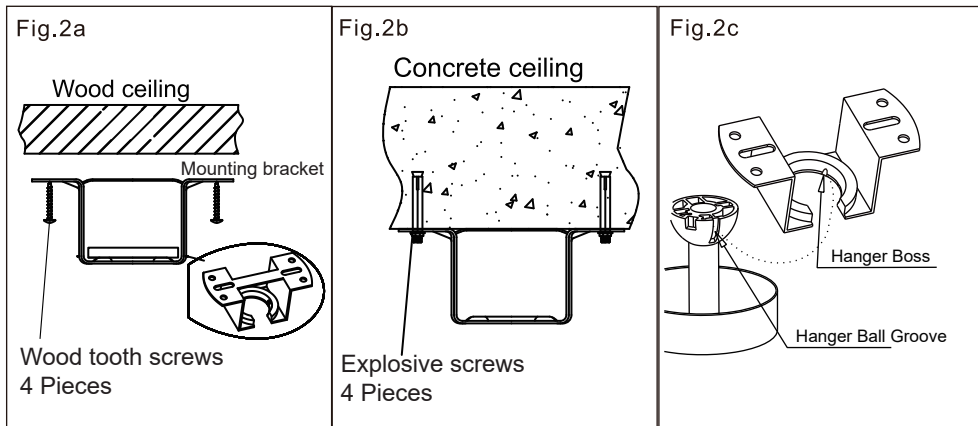


WARNING: Do not loosen the lower jam screws under any circumstances.

Installation Instructions

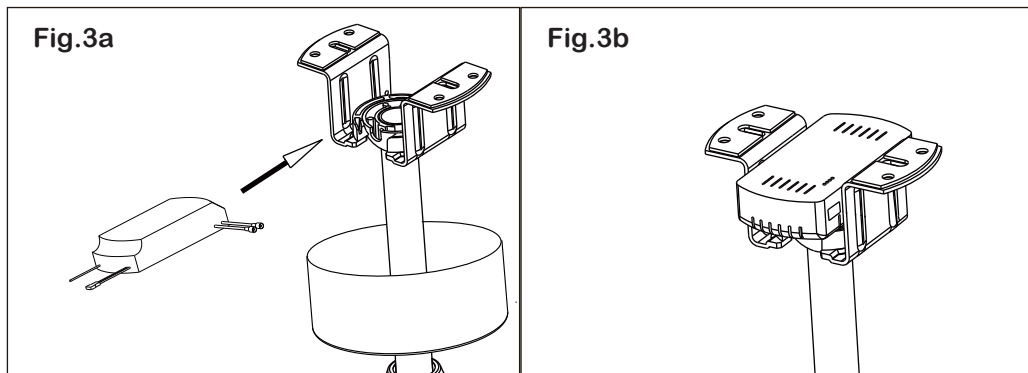
Step2 Installing the Mounting Bracket

- Choose expansion screws or wooden screws for installation based on the material of the roof. If the weight of the hanging bell exceeds 15KG, at least 4 screws need to be installed to fix the hanger during installation.
- Lift the fan motor assembly into place, then insert the hanger ball into the mounting bracket. Rotate the downrod until the groove locks into the registration slot. If seated correctly, the downrod should no longer rotate.



Step3 Installing the Receiver

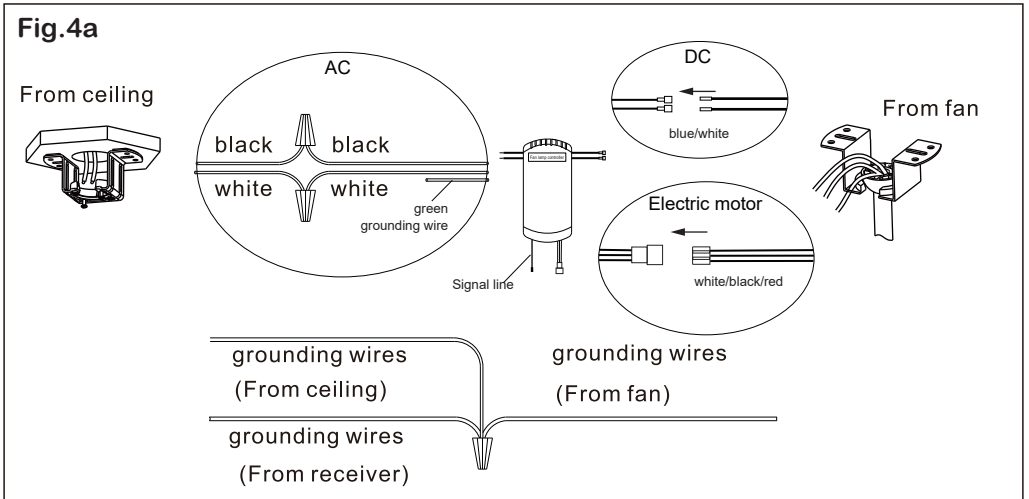
- Put the receiver in the mounting bracket.



Installation Instructions

Step4 Wiring the Fan

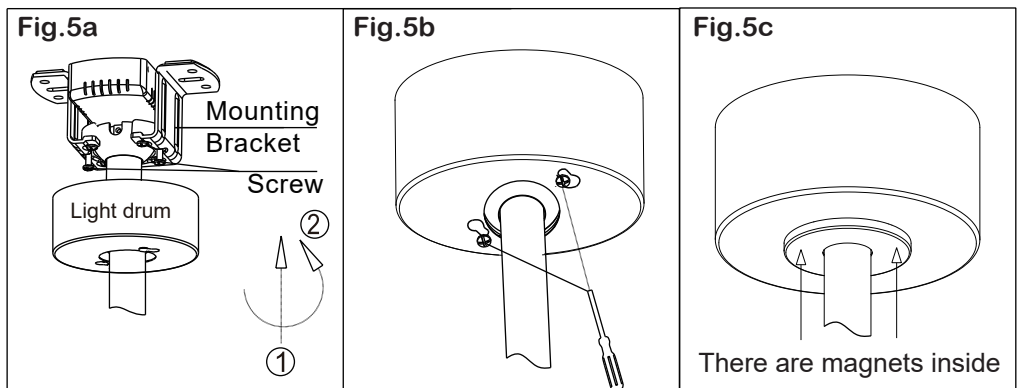
- Connect the wires according to the wiring diagram.



NOTE: Once the ground wires are connected, carefully tuck all wires and wire nuts into the metal box. Ensure that the wires are clear of the hemisphere and downrod when positioned in the mounting bracket.

Step5 Attaching the Canopy

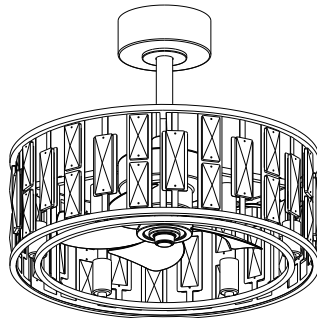
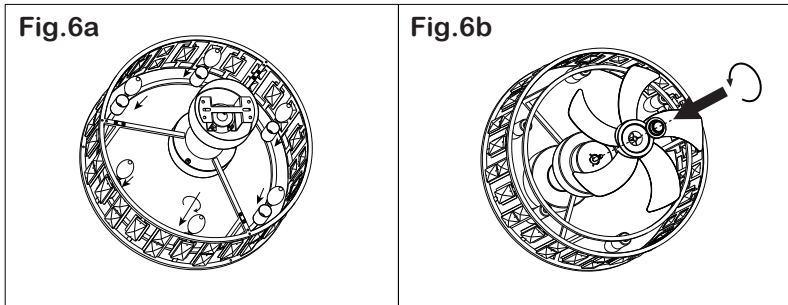
- Slide the Light drum up and secure it to the mounting bracket with the screws provided. Ensure all screws are tightened securely. Push the small lid to the top.



Installation Instructions

Step6 Install the bulb

- Twist the bulb clockwise, making sure to twist it tightly.
- Pass the fan blades through the motor shaft, rotate to adjust the position, then tighten the nut by turning it counterclockwise.



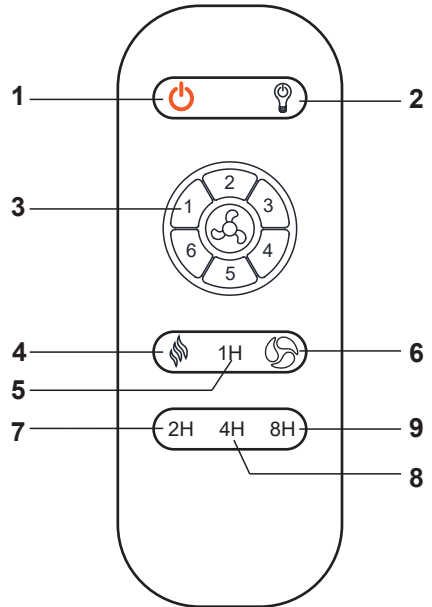
CONGRATULATIONS!
YOU HAVE COMPLETED THE INSTALLATION


Installation Instructions

FUNCTION INSTRUCTION OF EMITTER

Open battery cover on the hand-held remote and install battery, pair of AAA of emitter(1.5V) that are not included.

- 1.Fan all off
- 2.Lights on/off
- 3.Speeds
- 4.Natural wind
- 5.Timer 1 hour
- 6.Reverse
- 7.Timer 2 hour
- 8.Timer 4 hour
- 9.Timer 8 hour



Turn on the power switch,press the "  " within 5 seconds.the receiver will emit two 'beep' sounds,the pair code is successful.If not successful,turn off the power for a minute and repeat the above.

When the emitter cannot control the receiver,please check the battery switch touching normally or not,correction of the positive and negative,full or empty of the power.

When the emitter cannot control the receiver,please check is there are any similar remote-controlled products nearby,then check whether they works,because remote-controlled product with the same frequency will disturb each other.

Please take out the battery from the emitter when leaving unused for long time.

Troubleshooting Guide

If you have difficulty operating your new ceiling fan it may be the result of incorrect assembly, installation, or wiring. In some cases these installation errors may be mistaken for defects. If you experience any faults please check this troubleshooting guide.

	Problem	Suggested Remedy
1	If fan does not start.	<ul style="list-style-type: none"> <input type="checkbox"/> Check the main and branch circuit fuses or breakers. <input type="checkbox"/> Check the line wire connections to the fan and switch wire connections in the switch housing. <input type="checkbox"/> Check the battery in the remote control. <input type="checkbox"/> Ensure you are in the normal range of 10-20 feet.
2	If fan sounds noisy.	<ul style="list-style-type: none"> <input type="checkbox"/> Ensure all motor housing screws are snug. <input type="checkbox"/> Ensure the screws that attach the fan blade bracket to the motor hub are tight. <input type="checkbox"/> Ensure the wire nut connections are not rattling against each other or the interior wall of the switch housing. <input type="checkbox"/> Allow a 24-hour "breaking in" period. Most noises associated with a new fan disappear during this time. <input type="checkbox"/> If you are using the Ceiling Fan light kit, ensure the screws securing the glassware are tight. Check that the light bulbs are also secure. <input type="checkbox"/> Ensure the canopy is a short distance from the ceiling. It should not touch the ceiling. <input type="checkbox"/> Ensure your outlet box is secure and rubber isolator pads were used between the mounting plate and outlet box.
3	If fan wobbles.	<ul style="list-style-type: none"> <input type="checkbox"/> Check that all blades are screwed firmly into blade holders. <input type="checkbox"/> Check that all blade holders are tightened securely to motor. <input type="checkbox"/> Make sure that canopy and mounting bracket are tightened securely to ceiling junction box and junction box is mounted firmly to ceiling joist. <input type="checkbox"/> Most fan wobble problems are caused when blade levels are unequal. Check this level by selecting a point on the ceiling above the tip of one of the blades keeping measure within 1/8 in. Rotate the fan until the next blade is positioned for measurement. Repeat for each blade. If all blade levels are not equal you can adjust blade levels by the following procedure. To adjust a blade tip down insert a washer (not supplied) between the blade and blade holder at the screw closest to the motor. To adjust a blade tip up insert washer (not supplied) between the blade and blade holder at the two screws farthest from the motor. <input type="checkbox"/> If blade wobble is still noticeable interchanging two adjacent (side by side) blades can redistribute the weight and possibly result in smoother operation.
4	If light does not work.	<ul style="list-style-type: none"> <input type="checkbox"/> Check blue wire from fan to make sure it is connected to hot wire from the house. <input type="checkbox"/> Check for loose or disconnected wires in fan switch housing. <input type="checkbox"/> Check for loose or disconnected wires in light kit. <input type="checkbox"/> Check for faulty light bulbs. CAUTION: Make sure main power is turned off before entering switch housing. <input type="checkbox"/> If the fan light shuts off shortly after being switched on it may be due to excessive current demand. Turn off power to the fan and replace the light bulbs with lower wattage bulbs. Turn on power to the fan using the pull chain, wall switch, or remote control (whichever is installed on the particular fan).