

### Features

- Vitreous china.
- Elongated bowl.
- Comfort Height®.
- Equipped with Sloan FLUSHMATE®– Sloan® Valve Company.
- Polished chrome trip lever.
- Rear outlet.
- Less seat and supply.
- 4" (102 mm) rough-in.
- 1.0 gpf (3.8 lpf).
- 12" (305 mm) x 10" (254 mm) water area.
- 31" (787 mm) x 21-1/4" (540 mm) x 31-1/4" (794 mm).

### Recommended Accessories

K-4652 Lustra™ Quick-Release™ Elongated Toilet Seat  
K-4652-A Lustra™ Quick-Release™ Elongated Toilet Seat  
K-7637 Angle Supply with Stop (single)  
K-4636 Cachet® Quiet-Close™ Elongated Toilet Seat  
K-5588 Purefresh® Elongated Toilet Seat  
K-4108 C3®-230 Elongated Cleansing Toilet Seat  
K-5420 Low-Profile Bolt Caps

### Components

Product includes:

K-4305 Toilet Bowl  
K-4484 Toilet Tank

Additional included component/s: Tank cover, Trip lever, Floor screws and bolt caps, Tank accessory pack, and Bolt cap accessory pack.



ADA CSA B651 OBC

### Codes/Standards





ASME A112.19.2/CSA B45.1  
DOE - Energy Policy Act 1992  
EPA WaterSense®  
California Energy Commission (CEC)  
ADA  
ICC/ANSI A117.1  
CSA B651  
OBC

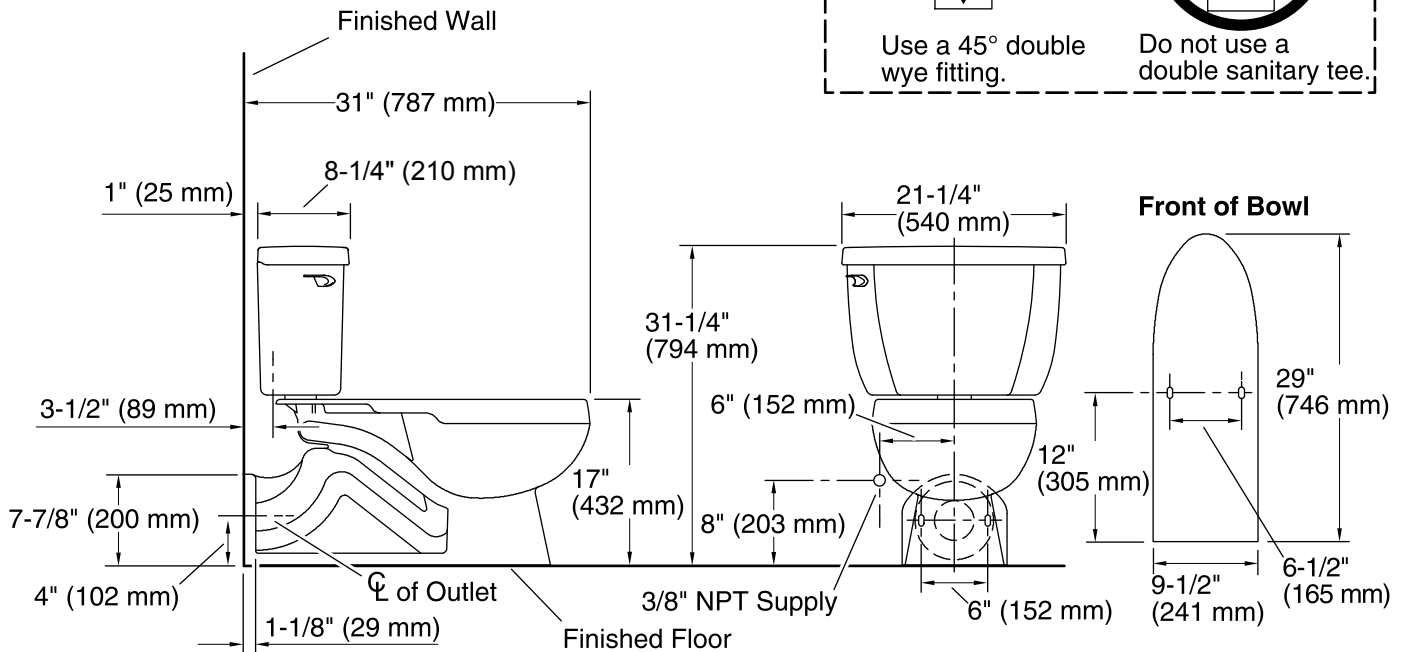
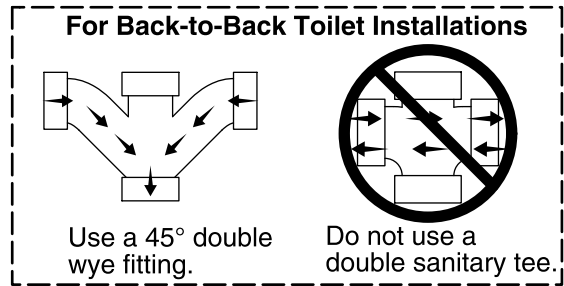
### KOHLER® One-Year Limited Warranty

See website for detailed warranty information.

### Available Color/Finishes

*Color tiles intended for reference only.*

| Color  | Code | Description  |
|--|------|--------------|
|  | 0    | White        |
|  | 96   | Biscuit      |
|  | 47   | Almond       |
|  | 7    | Black Black™ |



### Technical Information

All product dimensions are nominal.

|                       |                             |
|-----------------------|-----------------------------|
| Toilet type:          | Two-piece, Floor-mount      |
| Waste Outlet:         | Wall                        |
| Bowl shape:           | Elongated front             |
| Flush type:           | Pressure Assisted           |
| Trap passageway:      | 2-1/8" (54 mm)              |
| Water surface size:   | 12" x 10" (305 mm x 254 mm) |
| Rim to water surface: | 5-7/8" (149 mm)             |
| Rough-in:             | 4" (102 mm)                 |
| Seat-mounting holes:  | 5-1/2" (140 mm)             |

### Fixture Supply Requirements

|                      |                    |
|----------------------|--------------------|
| Min static pressure: | 35 psi (241.3 kPa) |
| Max static pressure: | 80 psi (551.6 kPa) |

### Notes

Install this product according to the installation instructions.

For back-to-back toilet installations: Use only a 45° double wye fitting.

ADA, OBC, CSA B651 compliant when installed to the specific requirements of these regulations.

Plumbing Codes require elongated toilets and elongated, open-front toilet seats in public bathrooms.

Accessibility standards require controls to be located on the open side of the toilet.