

MAYNE

HORIZON

Planter Collection



22 inch Tall

15" L x 15" W x 22" H

6.15 Gal Soil Capacity

For further inquiries or additional information, kindly reach out:

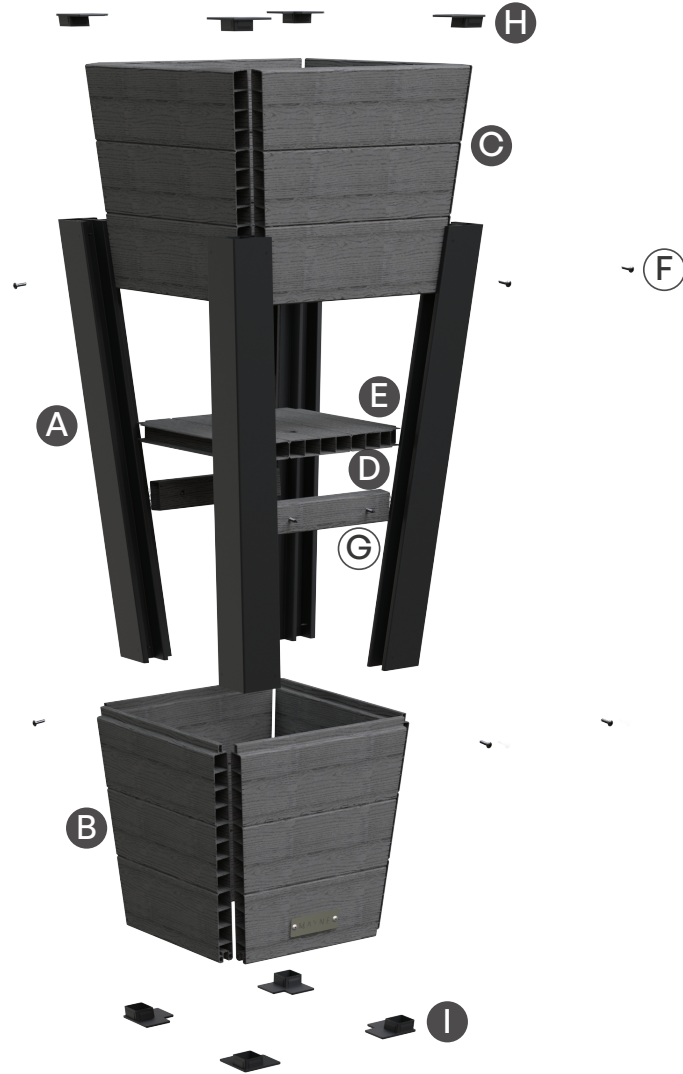
Toll Free Phone: 1-866-363-8834 • customerservice@gomayne.com



PRODUCT INFORMATION

Package Content:

Inspect all the pieces to ensure you have everything.



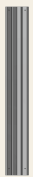


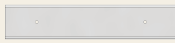
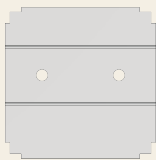
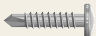



Optional Tools (Not Provided):



Small Hand Drill



Phillips Screwdriver Bit

- | | | | | |
|---|---|--|---|---|
|  |  |  |  |  |
| A 4 x Corner Post
MC2218 | B 4 x Lower Panel
MC2219 | C 4 x Upper Panel
MC2220 | D 2 x Horizontal Support
MC2221 | E 1 x Planting Shelf
MC2222 |
|  |  |  |  | |
| F 16 x Small Screw | G 4 x Long Screw | H 4 x Top Cap
MC2211 | I 4 x Bottom Cap
MC2212 | |

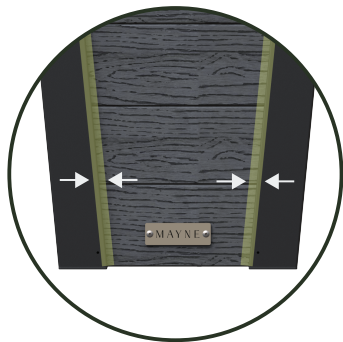


STEP-BY-STEP ASSEMBLY

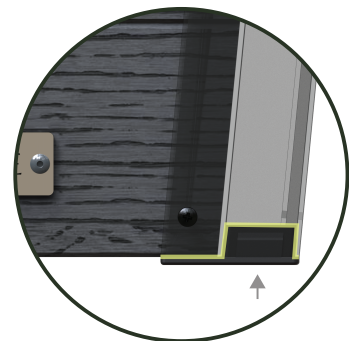
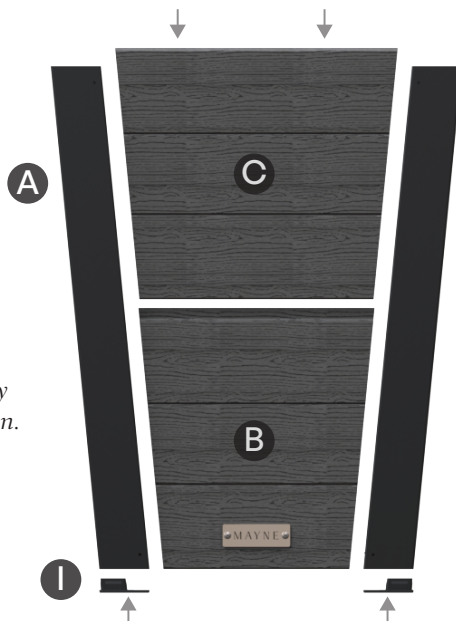
Read the instructions before assembly.

1 Assemble the Side Panels

Press the bottom caps (I) onto the bottoms of the corner posts (A). Align the two posts. Insert the lower panel (B), then the upper panel (C). Ensure everything is flush at the bottom.



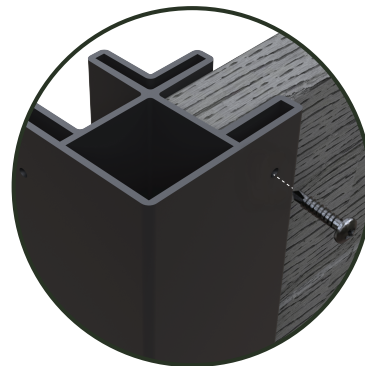
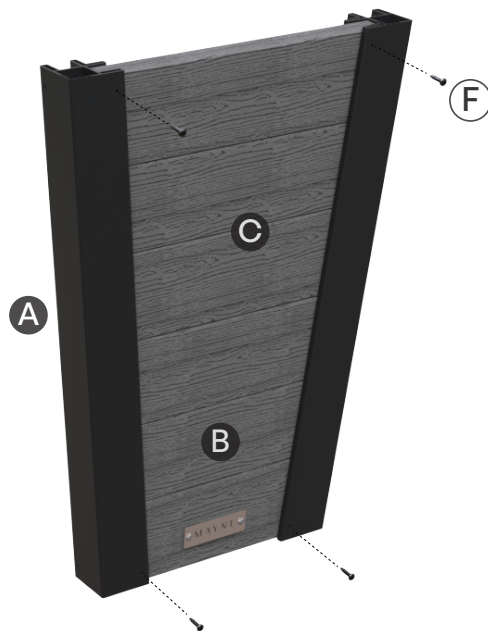
Ensure the corner posts are pressed firmly against the panels before screwing them in.



Make sure each bottom cap is fully inserted into the post.

2 Secure Panels

Fasten the corner posts and panels with small screws (F). Repeat Steps 1 and 2 to build a second set.



Note: Screws will drive directly into the posts.

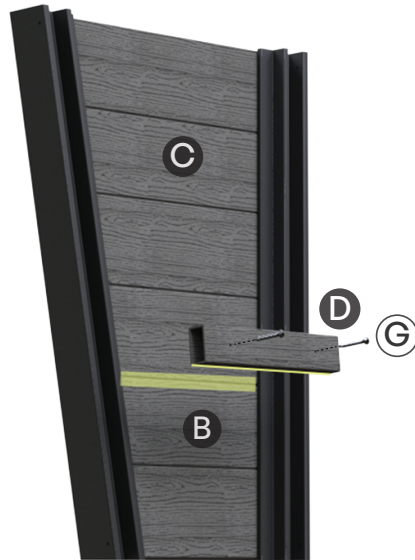


STEP-BY-STEP ASSEMBLY

Read the instructions before assembly.

3 Attach Inside Support

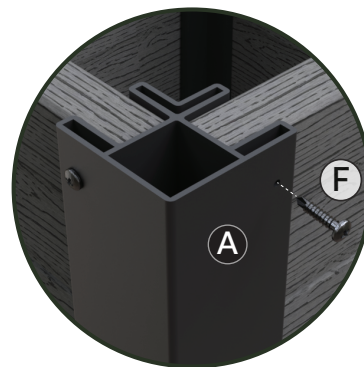
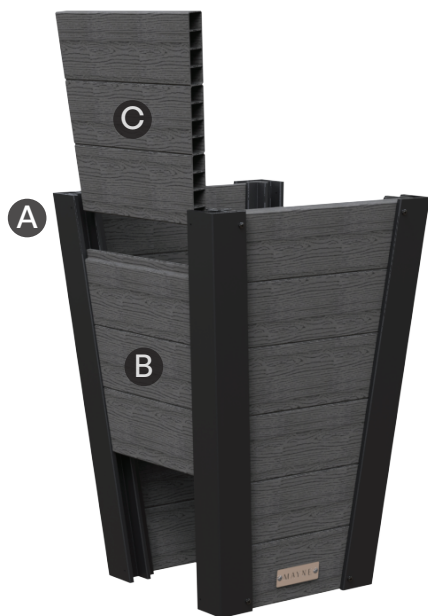
Align the horizontal support (D) with the second groove from the bottom, as shown below. Secure it to the panel using long screws (G). Make sure it is centered and level. Repeat for the second assembly.



Screws are self-tapping and will drive directly into the panel.

4 Install Remaining Panels

To connect the two assembled sides, slide the lower panel (B) and top panel (C) into the grooves between the corner posts on each open side. Secure them to the posts using small screws (F).



Make sure the panels sit flush before securing them using screws.



STEP-BY-STEP ASSEMBLY

Read the instructions before assembly.

5 Add Top Caps and Planting Shelf

Attach the top caps (H) to each corner post (A). Place the planting shelf (E) inside the planter, making sure it rests securely on top of the horizontal supports (D).



6 Bring Your Planter to Life

Your planter is ready to use. Fill it with potting soil and add your favorite flowers, herbs, or greenery. Tip: Visit gomayne.com/pages/faq for more planting tips and care advice.



Horizon Collection

Expand horizons and redefine outdoor elegance



All Seasons

Endure every season with lasting strength



Sure Fit

Assembles with ease for a strong, secure, lasting hold



Modern Design

A fresh, modern look grounded in timeless charm



Warranty Plus

Backed by a 10-year warranty for peace of mind

General Planting Recommendation:

To get the most out of your planter, follow these steps:

1. Add Lightweight Filler (Optional but beneficial)
 - Start by adding a few inches of lightweight filler to the bottom of your planter. This step is optional but offers three key benefits:
 - Reduces Potting Mix Usage: Saves on the amount of potting mix needed.
 - Encourages Root Growth: Promotes faster root growth down into the troughs.
 - Lightweight Options: Use materials like mulch, wood chips, crushed water bottles, or foam packing peanuts (avoid foam peanuts if growing edible plants).
2. Fill with Potting Mix
 - Fill the planter with potting mix, leaving about an inch from the top. Avoid using regular garden soil as it compacts easily and doesn't provide adequate aeration or drainage.

Cleaning & Care Guide:

A little care goes a long way. At the start of each season, give your planter a quick rinse to clear away dust and debris. For a deeper refresh, gently clean with mild soap, water, and a soft cloth—or use a pressure washer on a low setting. Rinse thoroughly and let it dry fully. With simple upkeep, your planter will continue to bring beauty and ease to your outdoor space, season after season.

NOTE: Results vary by plant type and root depth. Mayne holds no liability for plant growth. For tips, visit www.gomayne.com.



www.gomayne.com
7024 Kilbourne Rd Unit A
London, ON N6P 1K6