

INSTALLATION INSTRUCTIONS

Model # 72701-66A 72702-66A 72703-66A

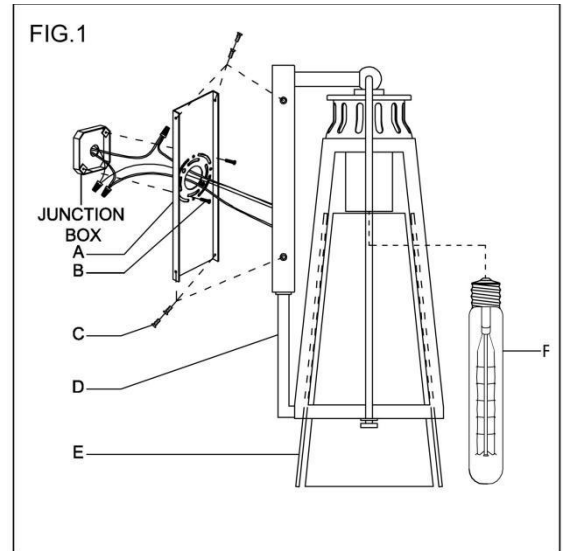
READ AND SAVE THESE INSTRUCTIONS

WARNING! SHUT POWER OFF AT FUSE OR CIRCUIT BREAKER.

AVERTISSEMENT! COUPER LE COURANT AU NIVEAU DES FUSIBLES OU DU DISJONCTEUR.

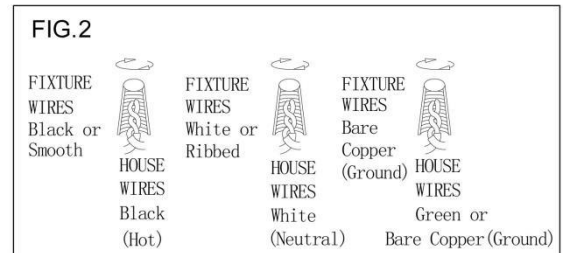
PREPARING FOR INSTALLATION (Fig. 1)

1. Shut off power at the fuse box or circuit breaker box and remove the old fixture including the mounting hardware.
2. Carefully unpack your new fixture and lay out all the parts in a clear area. Take care not to misplace any small parts necessary for installation.
3. Remove the screws (C) and backplate (A) from fixture body (D).
4. Install glass panels (E) into the fixture holder (D) and secure with panel tabs top and bottom.
5. Secure the mounting plate (A) with the mounting screws (B) to the outlet box (not included).



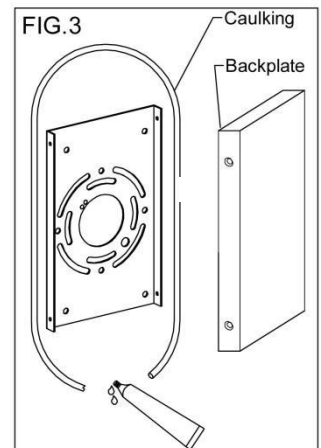
CONNECTION THE WIRES (Fig. 2)

6. Connect the electrical wires as shown in Fig.2 making sure that all wire connectors are secured. If your outlet box has a ground wire (green or bare copper), connect the fixture's ground wire to it. Otherwise, connect the fixture's ground wire directly to the mounting plate (A) using the green screw provided. Tuck wires neatly back into the outlet box



FINISHING THE INSTALLATION (Fig.1)

7. Secure the fixture body (D) with screws (C) to the mounting plate (A).
8. Install (1) one medium base bulb up to 100 watts or CFL or LED equivalent (not included) in accordance with the fixture specification. —DO NOT EXCEED THE MAXIMUM WATTAGE RATING! (NE PAS DEPASSER LA PUISSANCE NOMINALE MAXIMALE!)
9. To prevent moisture from entering the outlet box and causing a short, use clear caulking (i.e. Indoor/Outdoor Silicone Sealant) to outline the outside of fixture back plate where it meets the wall leaving a space at bottom to allow moisture a means to escape. (Fig. 3)



Your installation is now complete. Return power to the outlet box and test the fixture.

IMPORTANT: FIXTURE SHOULD BE INSTALLED BY A QUALIFIED ELECTRICIAN TO ENSURE PROPER WIRING AND INSTALLATION.