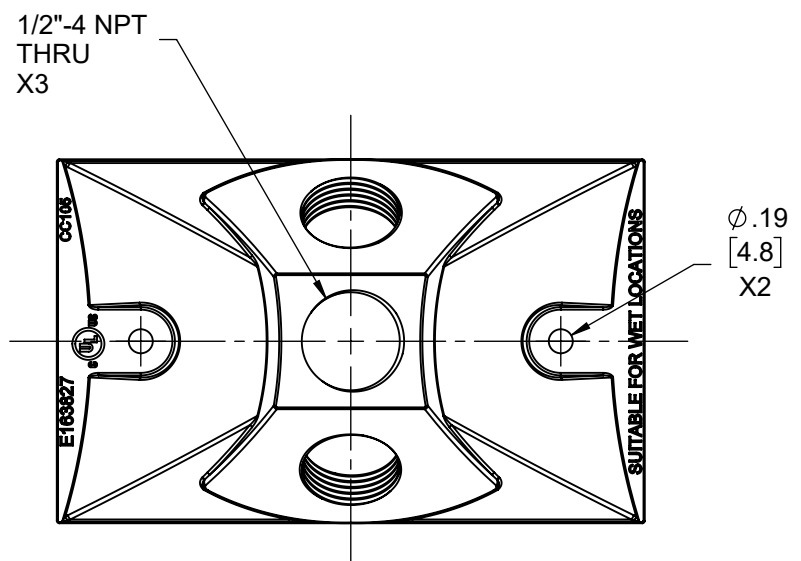
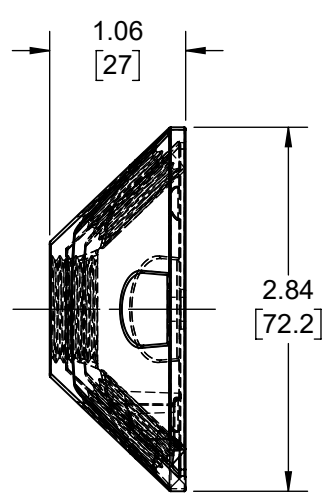
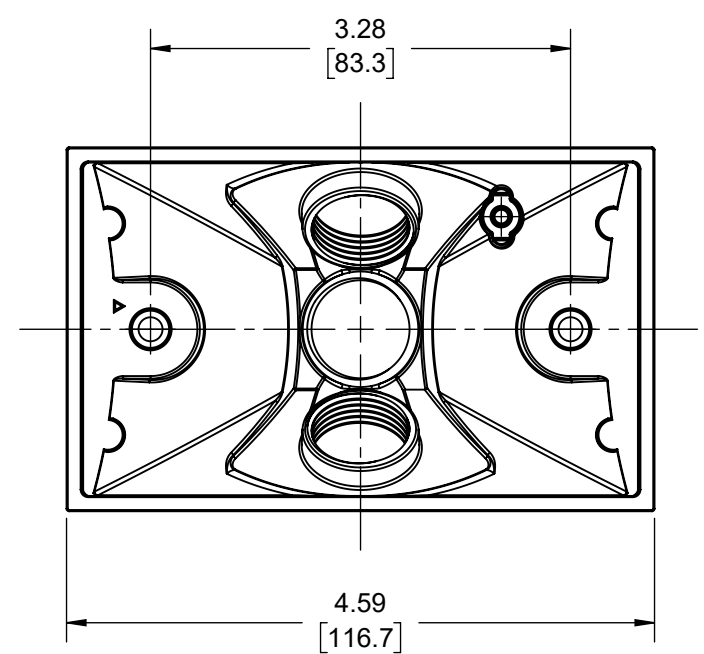
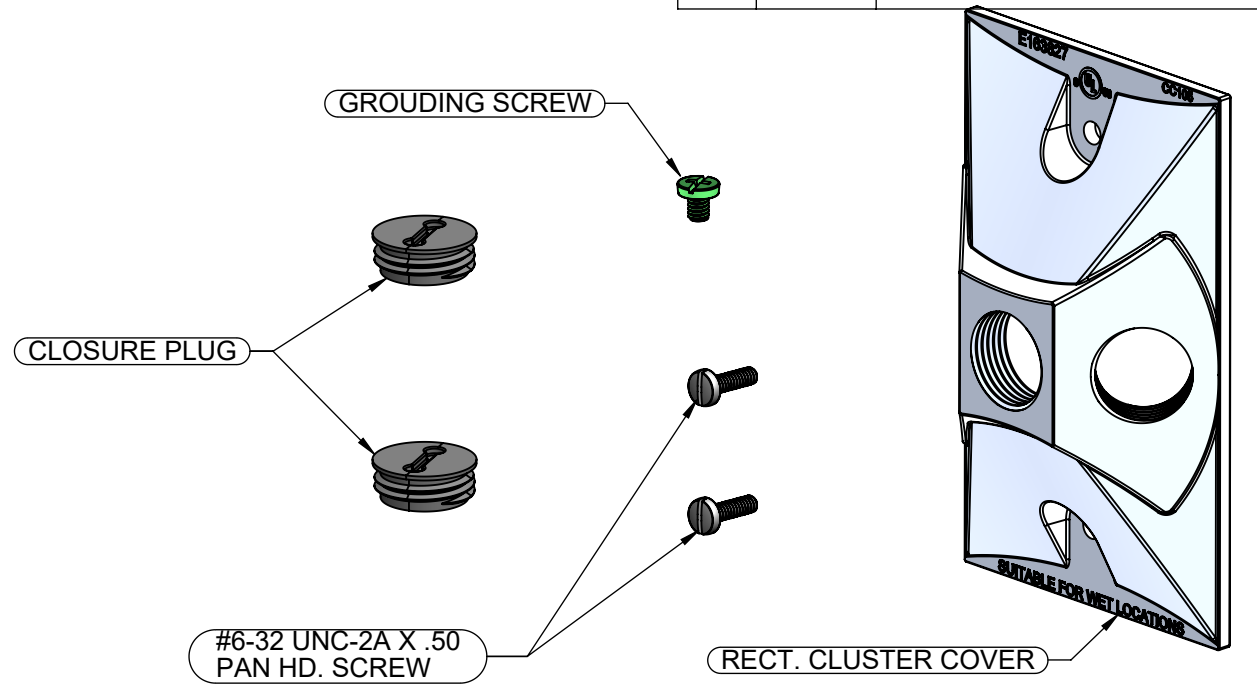


CAT. #	COLOR	HARDWARE PACK		
		MOUNTING LUG SCREW QTY.	GROUNDING SCREW QTY.	CLOSURE PLUG QTY.
5189-0	GRAY AKZO NOBLE# JW107N	2	1	2
5189-1	WHITE AKZO NOBLE# JW045N	2	1	2
5189-2	BRONZE AKZO NOBLE# JW015N	2	1	2
5189-5	GRAY AKZO NOBLE# JW107N	2	1	2
5189-6	WHITE AKZO NOBLE# JW045N	2	1	2
5189-7	BRONZE AKZO NOBLE# JW015N	2	1	2

REVISIONS			
REV.	DATE	DESCRIPTION	BY:
-	06-27-22	INITIAL RELEASE OF DRAWING	MS



ALTERNATE	ZINC	NATURAL
PRIMARY	LEXAN	GRAY
GRAY COVER	MATERIAL	FINISH
	CLOSURE PLUG 1/2" NPT	
MOUNTING LUG SCREW	C1022 STEEL	.00015" ZINC PASSIVATION
GROUNDING SCREW	STEEL	GREEN ZINC AERODITE
GASKET	POLYETHYLENE FOAM	N/A
RECT. CLUSTER COVER	DIE-CAST ALUMINUM	PAINT
DESCRIPTION	MATERIAL	FINISH

THE DESIGN AND DIMENSIONS OF THE PRODUCT SHOWN ON THIS DRAWING ARE SUBJECT TO CHANGE WITHOUT NOTICE

TITLE:
3-HOLE RECT. CLUSTER COVER

TOLERANCE UNLESS OTHERWISE SPECIFIED .XX DECIMAL ±.015 .XXX DECIMAL ±.005 ANGLE ±2°	RACO	
	DRAWN BY: MS	SCALE: 2:3
	APP. BY: N.S.	DATE: 06-27-22

NOTES:

1. ALL DIMENSIONS ARE IN INCHES AND [MILLIMETERS]
2. UL, CSA & NEMA LISTED.