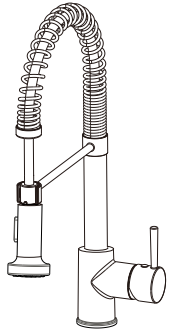




Genuine Faucet



NSF/ANSI 61
NSF/ANSI 372

Single Handle Kitchen Faucet With Pull-out Spray

Low Lead Brass Construction
Ceramic Cartridge
9/16" Water Inlet
Easy Installation

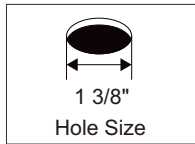
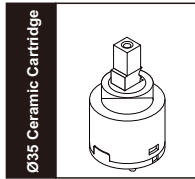
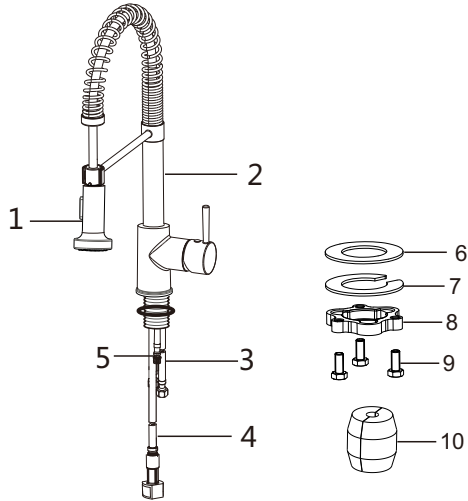


DIAGRAM AND PARTS LIST

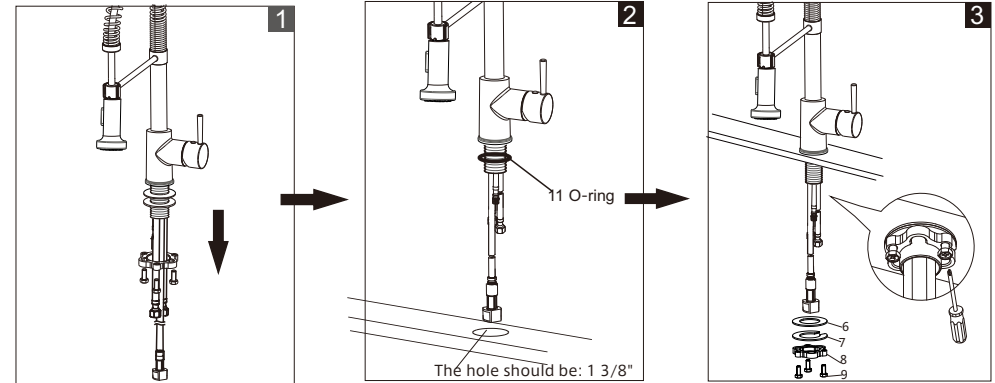


- 1. Spray Wand
- 2. Faucet Body
- 3. Hot & Cold Hose
- 4. Pull-down Hose
- 5. Conector Hose
- 6. Rubber Washer
- 7. Metal Washer
- 8. Lock Nut
- 9. Screw
- 10. Weight
- 11 O-ring

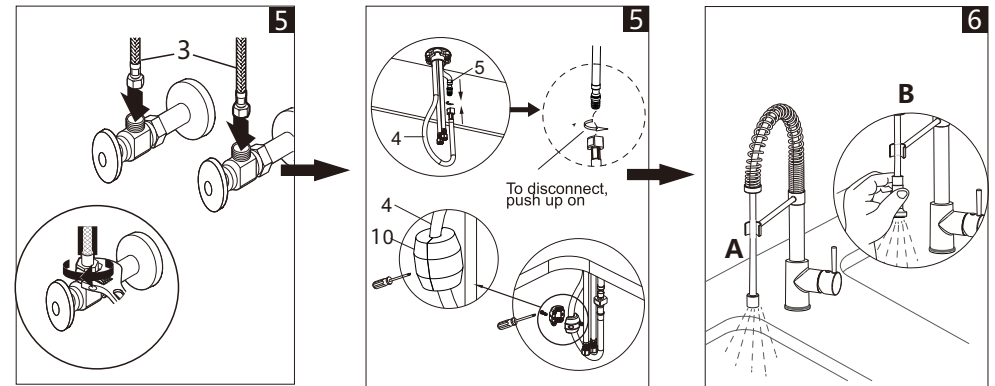
RECOMMENDED TOOLS



ASSEMBLY INSTRUCTIONS



1. Unscrew the pre-assembled Washers(6,7) & Lock nut(8) and Screw(9).
2. Place o-ring(11) below faucet. And then put them into the hole.
3. Screw rubber washer(6), metal washer(7) onto the pipe under sink and screw with lock nut(8) and screw(9).



4. Connect and tighten the supply hoses, then check for leaks.
5. Connect pull out hose (4) with Quick Connector (5).
Assemble weight(10) and screws on the pull out hose (4).
- 6 (A) Unscrew Spray Wand(1) by anticlockwise direction, turn on water for 15 seconds to flush any debris.
(B) Afterwards install the spray wand and check for leakage.