



MANHATTAN COMFORT

888-230-2225

help@manhattancomfort.com

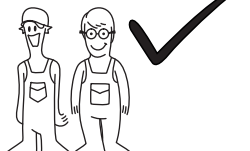
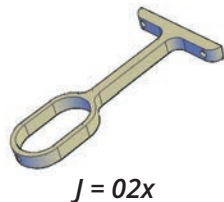
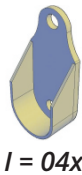
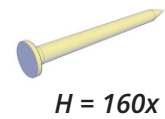
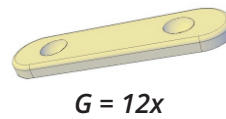
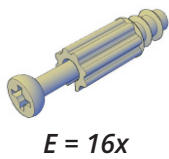
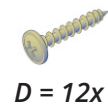
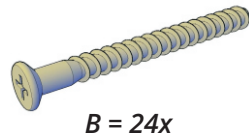
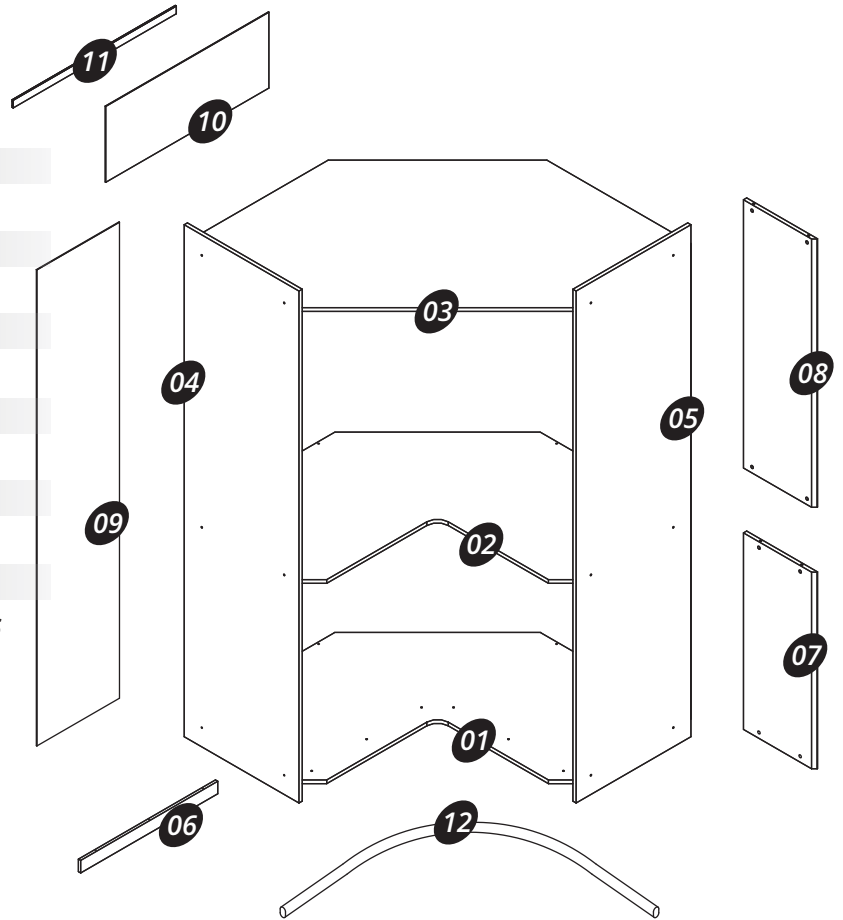


Mulberry

Corner Wardrobe

Included in the package

- 01 - Base Panel = 01 piece
- 02 - Shelf Panel = 01 piece
- 03 - Top Panel = 01 piece
- 04 - Left Side Panel = 01 piece
- 05 - Right Side Panel = 01 piece
- 06 - Lower Bar = 04 pieces
- 07 - Lower Lateral Panel = 02 pieces
- 08 - Upper Lateral Panel = 02 pieces
- 09 - Larger Rear Panel = 02 pieces
- 10 - Smaller Rear Panel = 05 pieces
- 11 - Union Plastic Profile = 04 pieces
- 12 - Aluminum Hanger Bar = 02 pieces

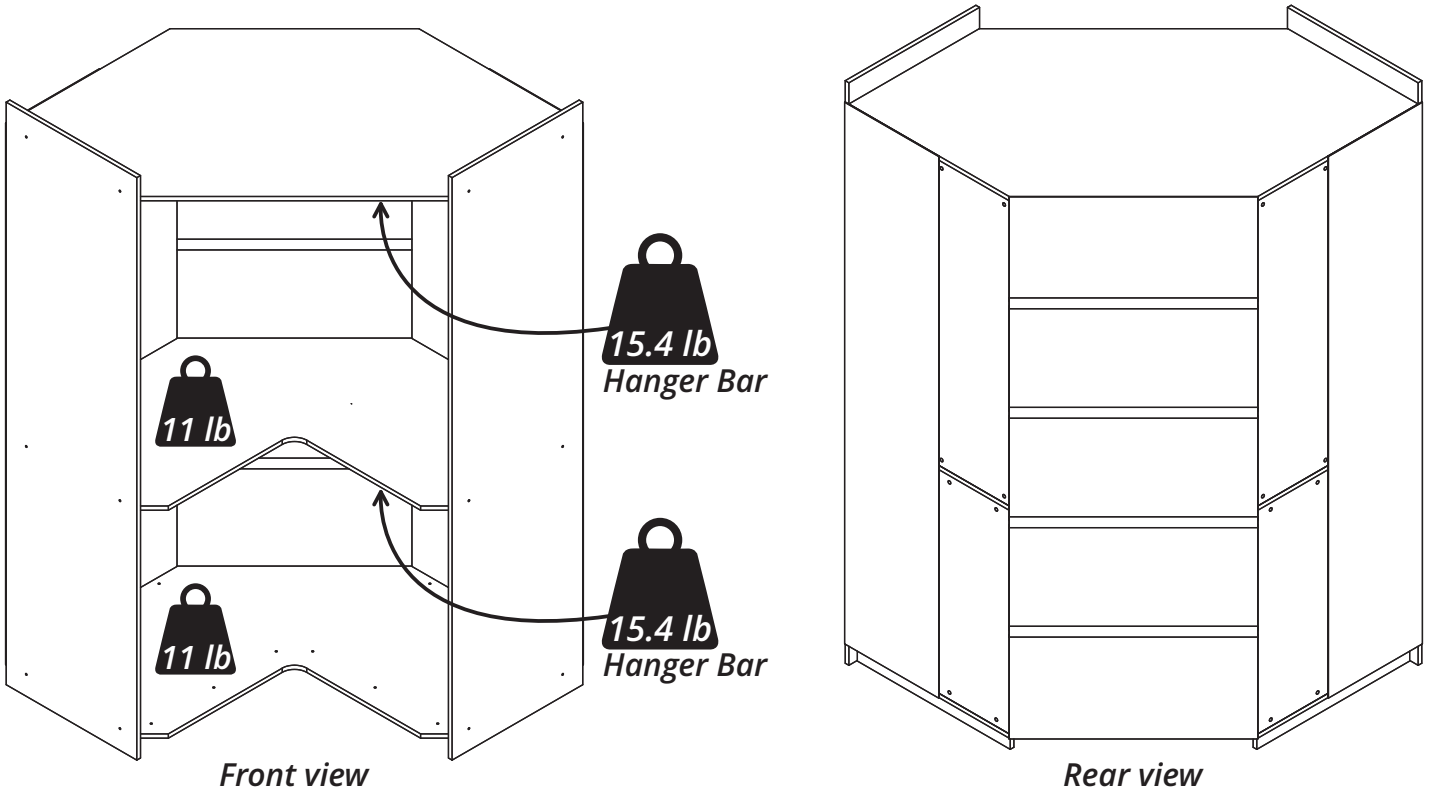


Tools needed
(not included)

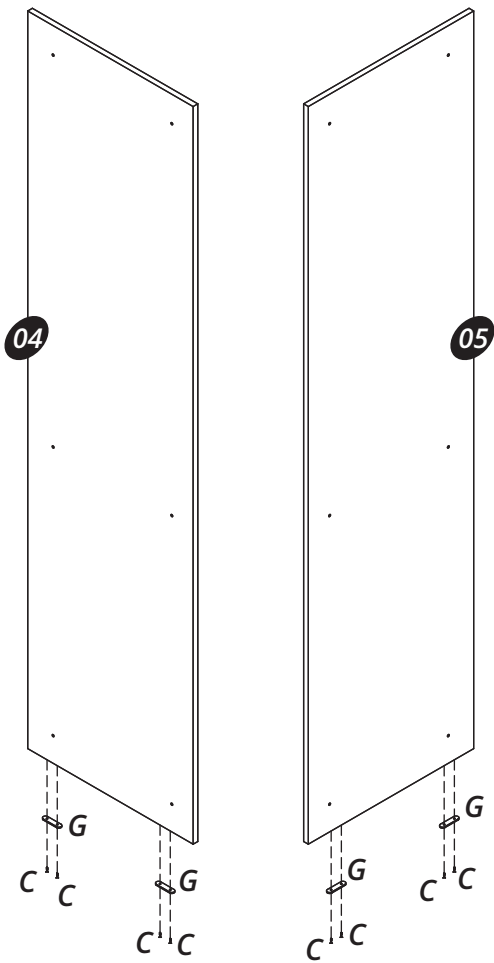


Philips screw driver

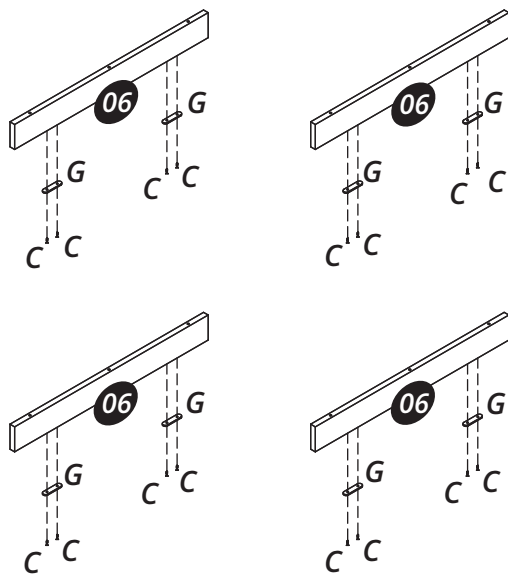
Screw driver



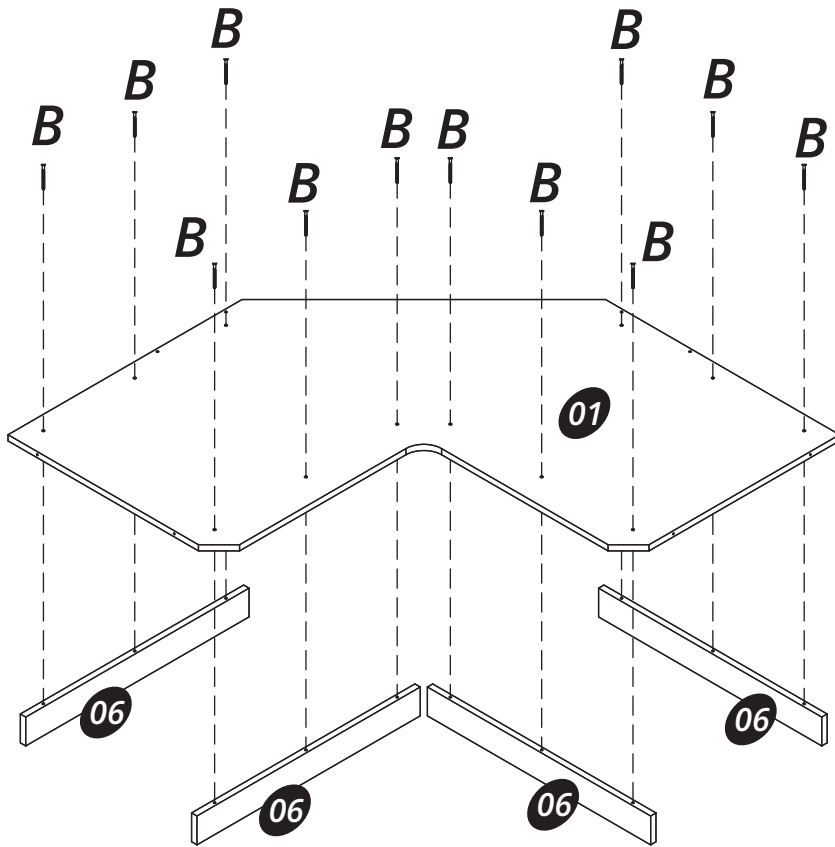
Step 01



Fix the hardware (G) onto the part (04), onto the part (05) and the part (06) with the hardware (C).

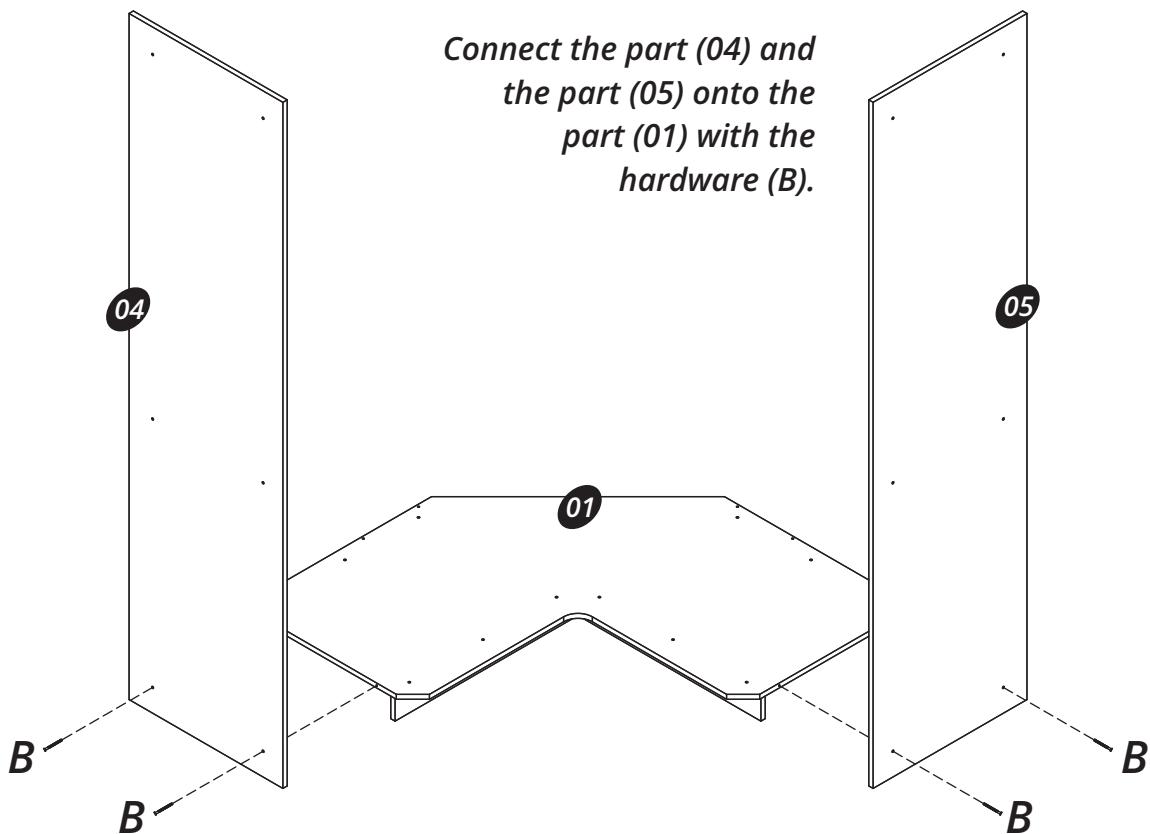


Step 02



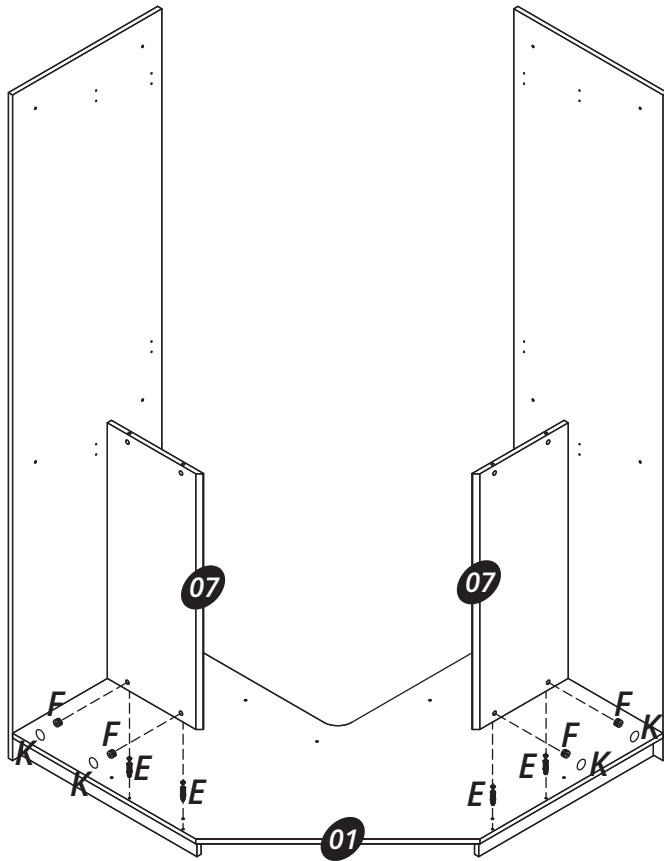
Connect the part (01)
onto the part (06) with
the hardware (B).

Step 03



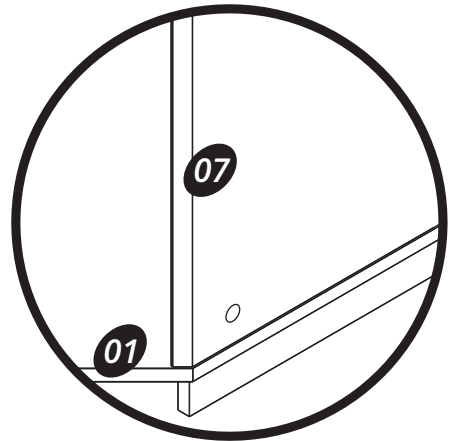
Connect the part (04) and
the part (05) onto the
part (01) with the
hardware (B).

Step 04

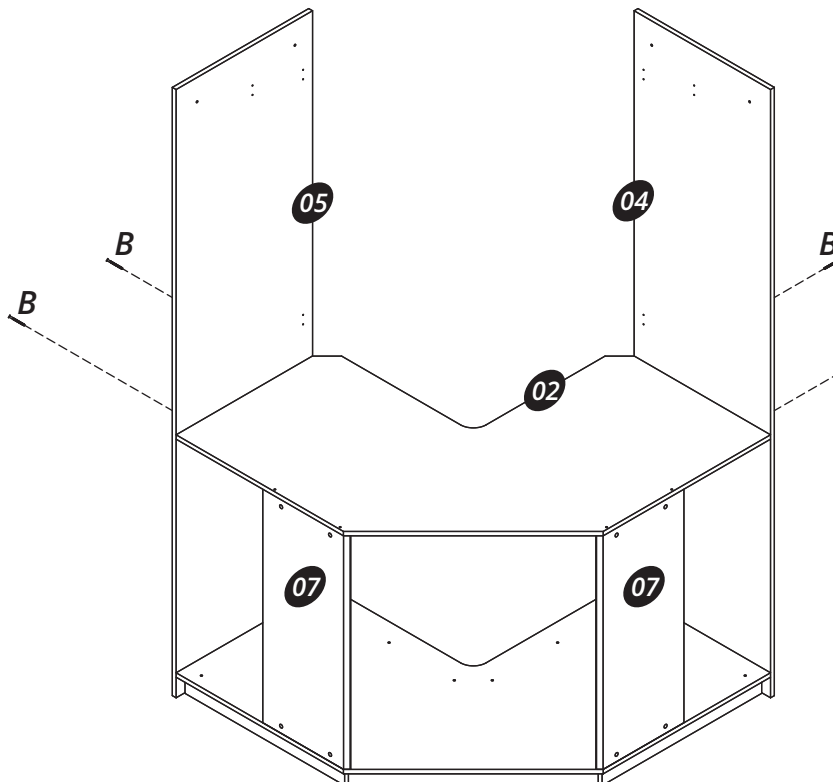


Connect the part (07) onto the part (01) with the hardware (E + F). Apply the hardware (K) on the hardware (F).

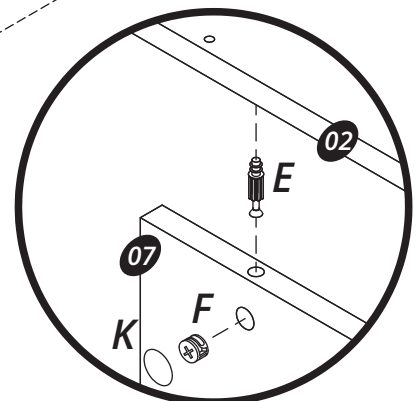
Pay attention to the correct position of the edges of the parts (07).



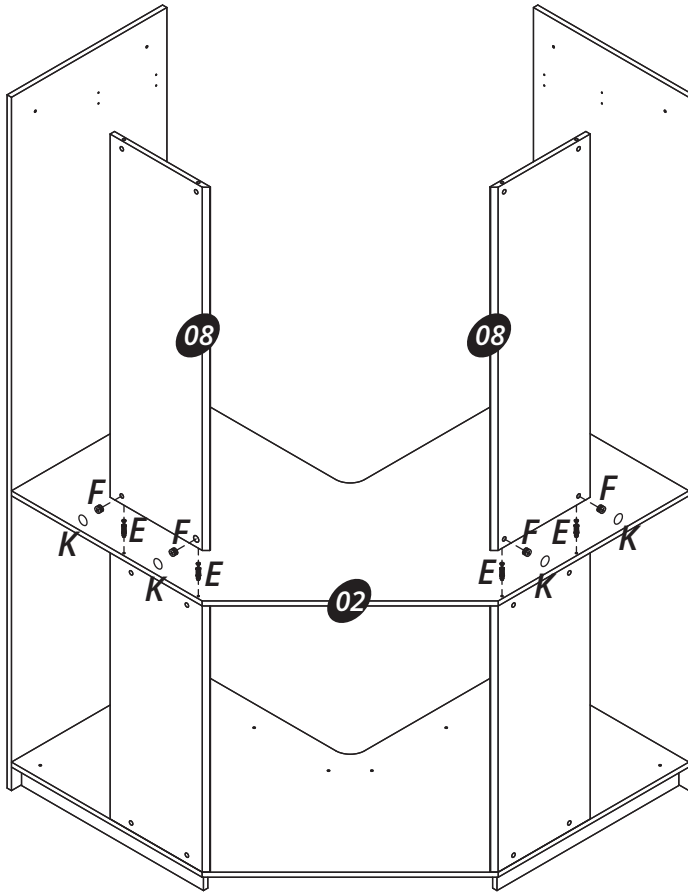
Step 05



Connect the part (07) onto the part (02) with the hardware (E + F). Apply the hardware (K) on the hardware (F). Connect the part (02) onto the parts (04) and (05) with the hardware (B).

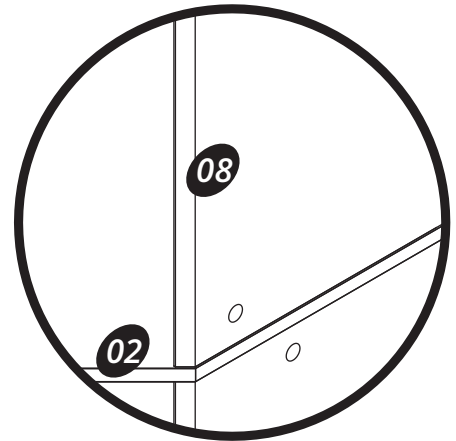


Step 06

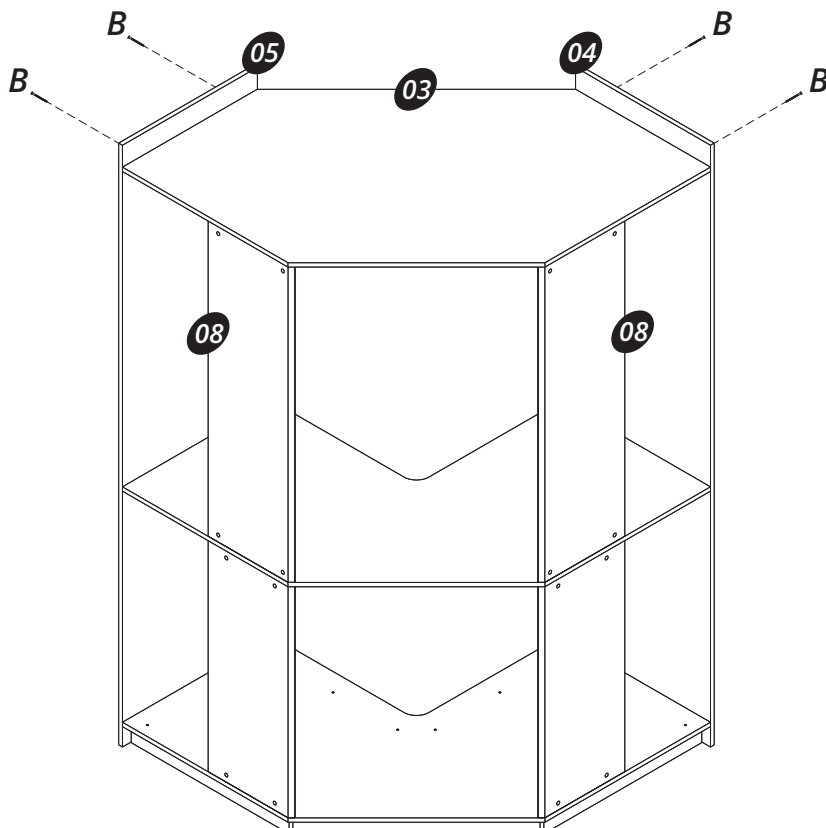


Connect the part (08) onto the part (02) with the hardware (E + F)
Apply the hardware (K) on the hardware (F).

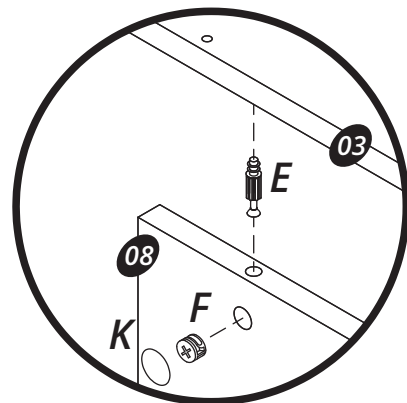
Pay attention to the correct position of the edges of the parts (08).



Step 07

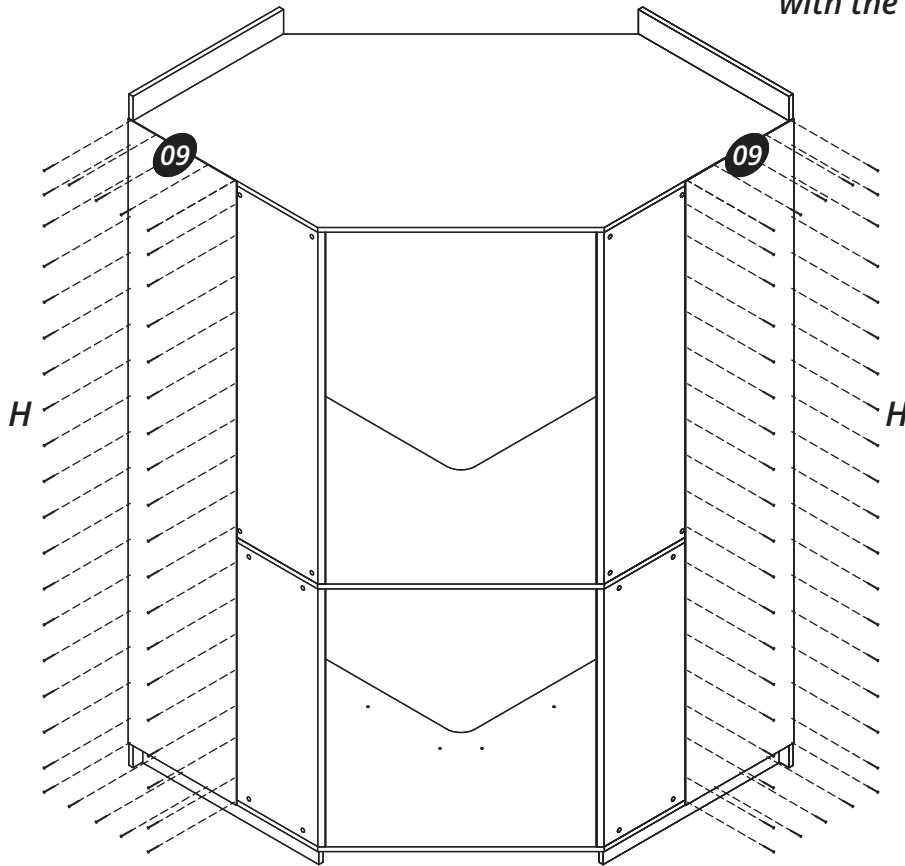


Connect the part (08) onto the part (03) with hardware (E + F). Apply the hardware (K) on the hardware (F).
Connect the part (03) onto the parts (04) and (05) with the hardware (B).



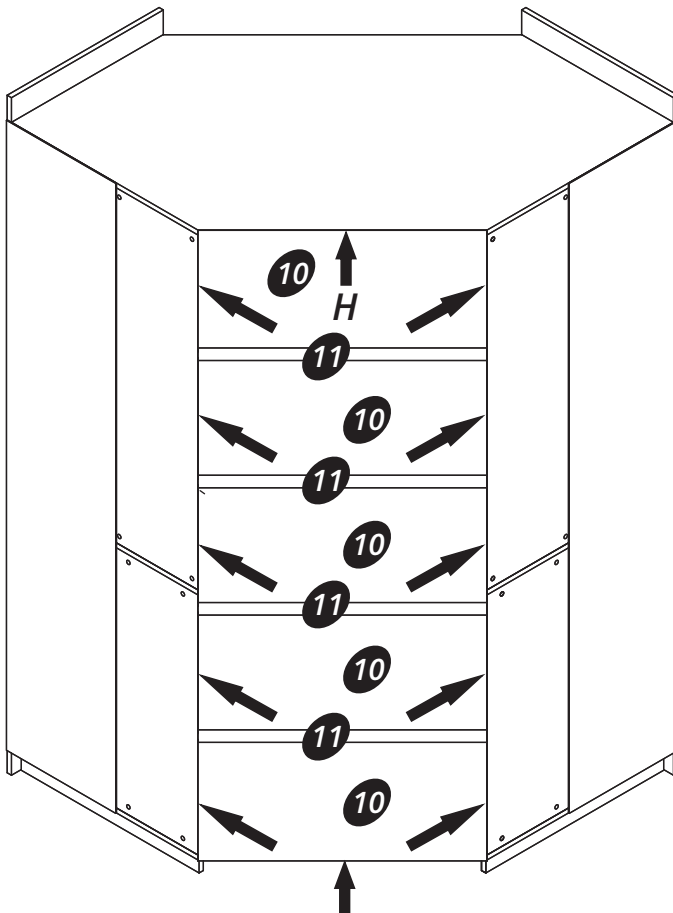
Step 08

*Connect the part (09)
with the hardware (H).*



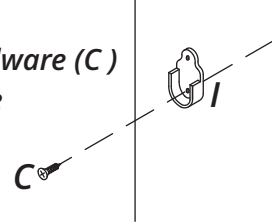
Step 09

*Connect the part (10)
with the part (11)
and the hardware (H).*



Step 10

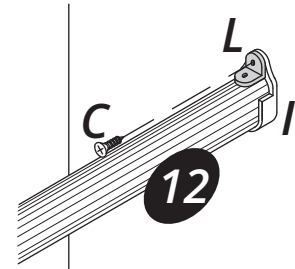
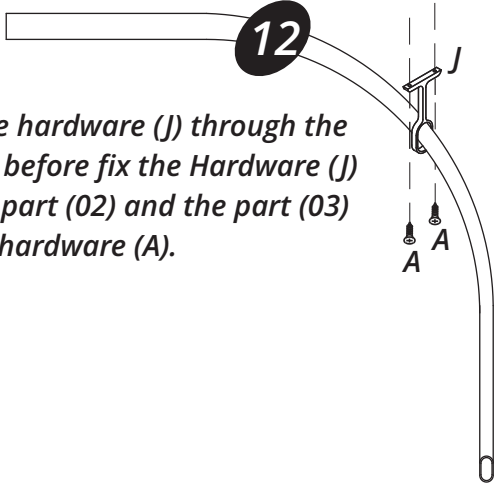
Fix the hardware (I) onto the part (04) and the part (05) with the hardware (C). Remember to fix the hardware (C) only in the hole like in the figure.



04

05

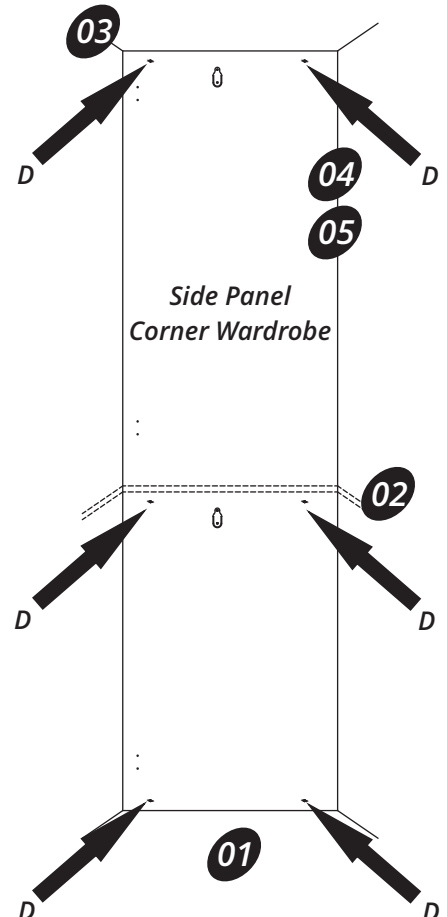
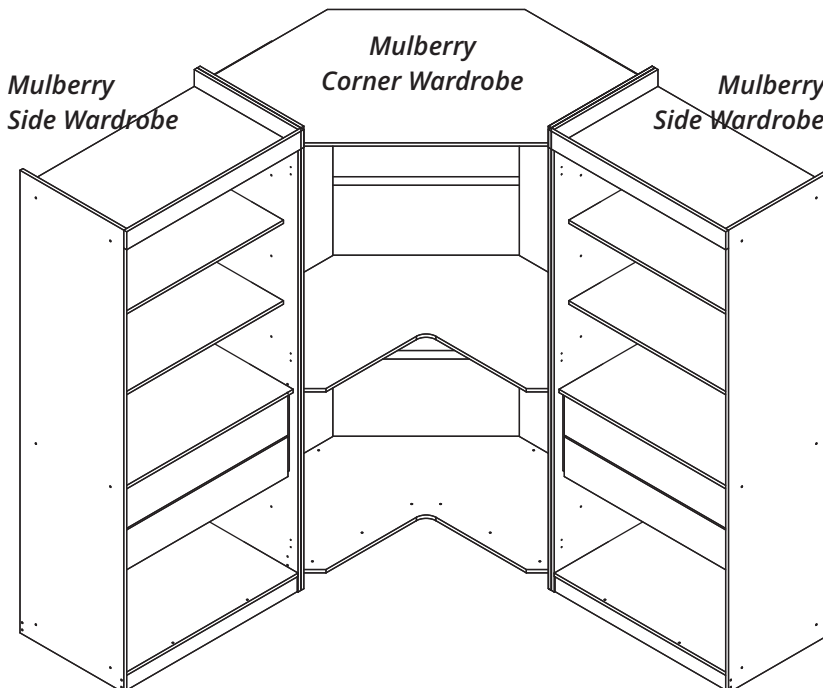
Insert the hardware (J) through the part (12) before fix the Hardware (J) onto the part (02) and the part (03) with the hardware (A).



Fix the hardware (L) onto the hardware (I) with the hardware (C) after install the part (12).

Step 11

If you assembly the Mulberry Corner Wardrobe with the Mulberry Side Wardrobe you must have to fit them with screws (D).





MANHATTAN
COMFORT

888-230-2225

help@manhattancomfort.com

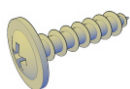


Mulberry

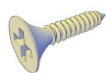
kit door Corner wardrobe

Included in the package

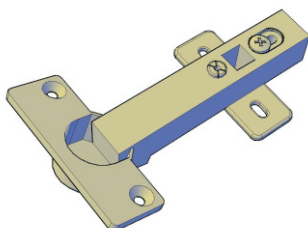
01 - Doors = 02 pieces



A = 24x

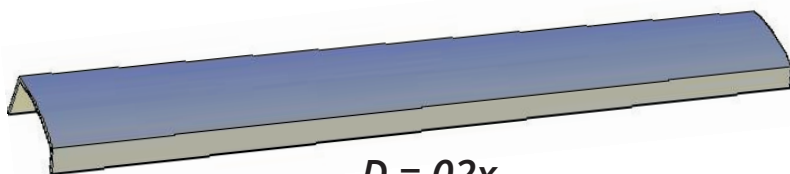
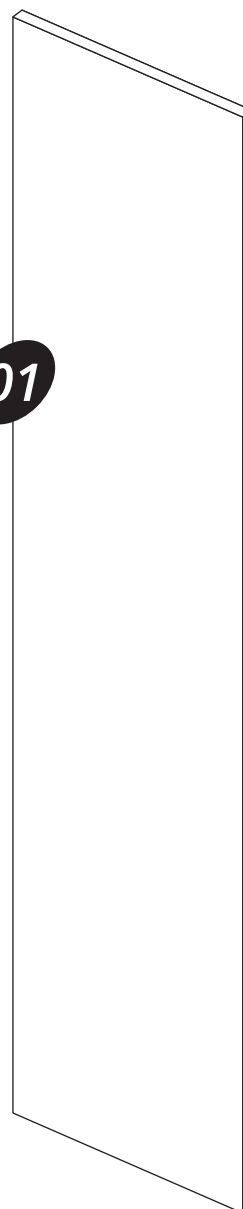


B = 04x

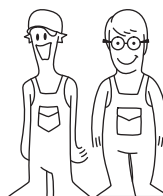


C = 06x

01



D = 02x



Tools needed
(not included)



Phillips screw driver



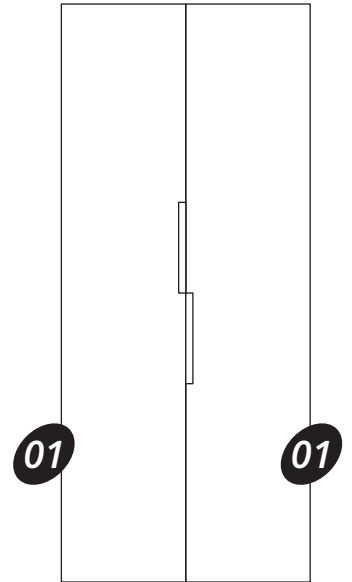
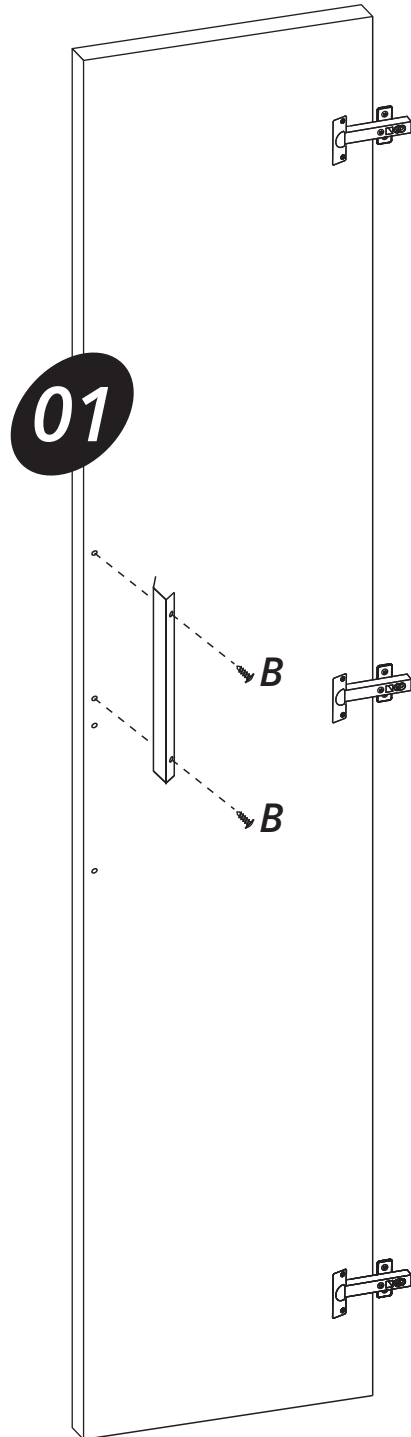
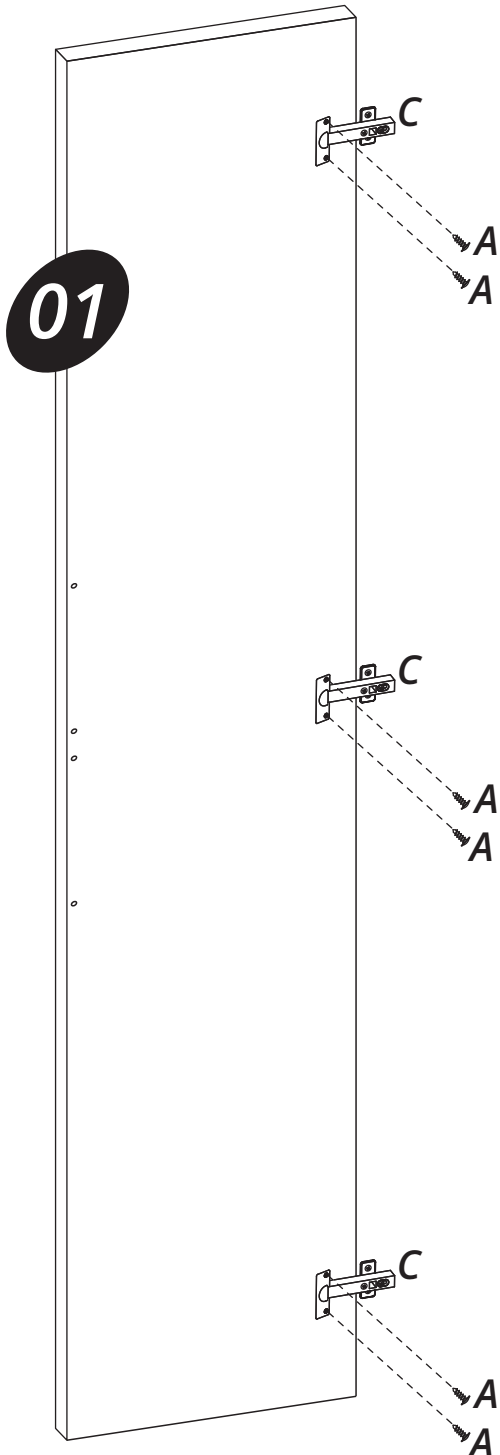
Screw driver

Step 01

Attention to the position of the Handle (D) when fit in the Doors (01). One up and one down.

Connect the hardware (C) into the Door (01) with bolts (A).

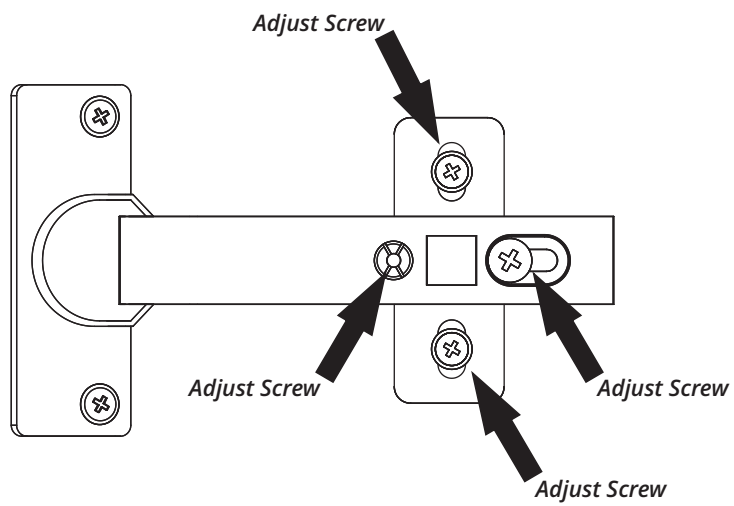
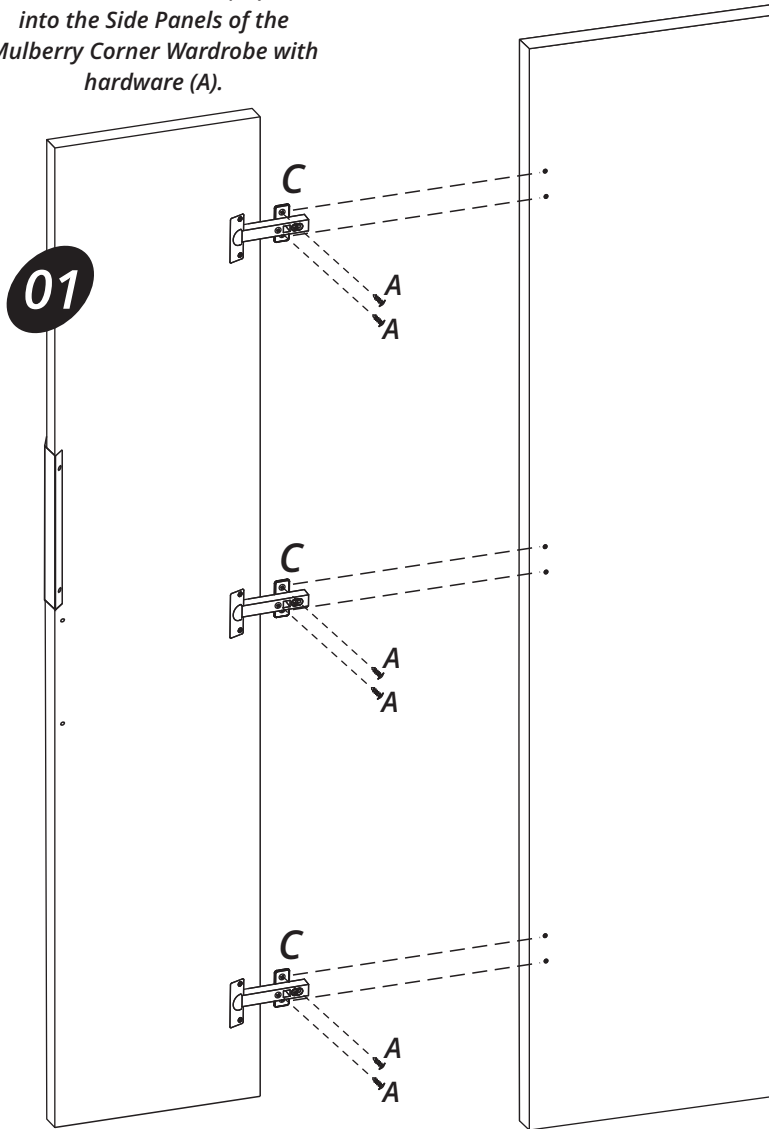
Connect the hardware (D) into the Door (01) with bolts (B).



Step 02

Connect the Door (01)
into the Side Panels of the
Mulberry Corner Wardrobe with
hardware (A).

Side Panels of the
Mulberry Corner Wardrobe





MANHATTAN
COMFORT

888-230-2225

help@manhattancomfort.com

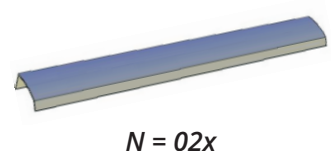
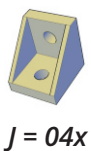
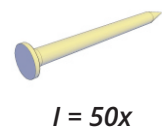
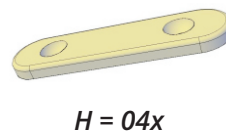
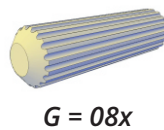
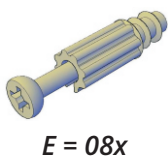
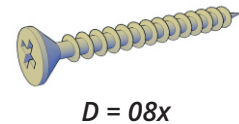
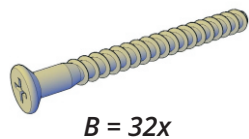
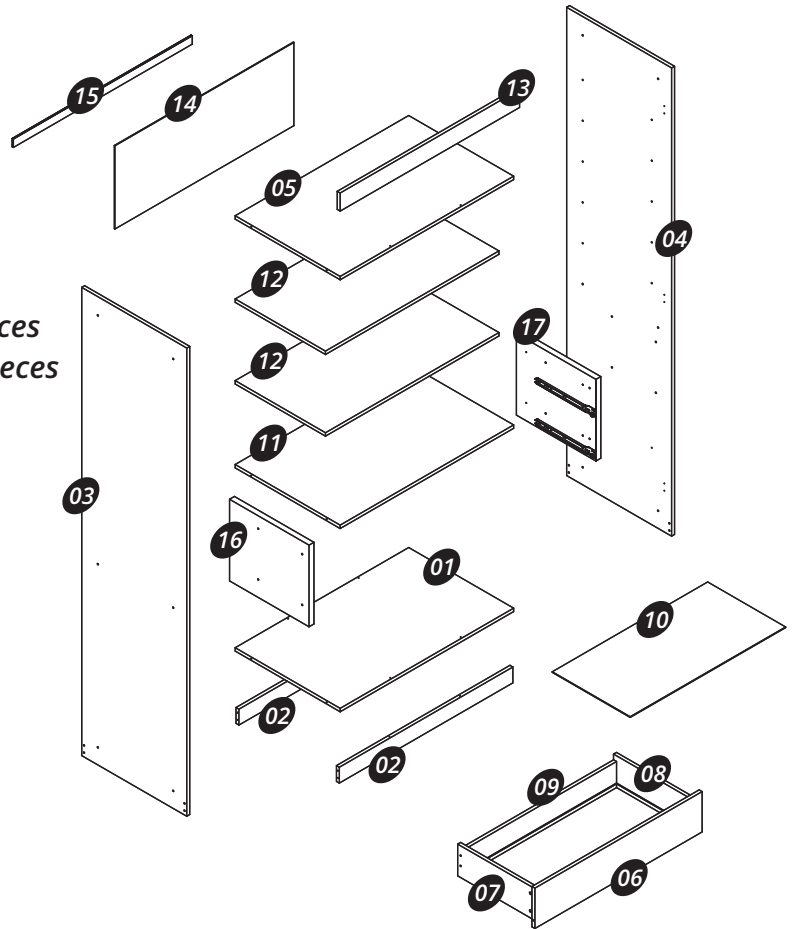


Mulberry

Side Wardrobe

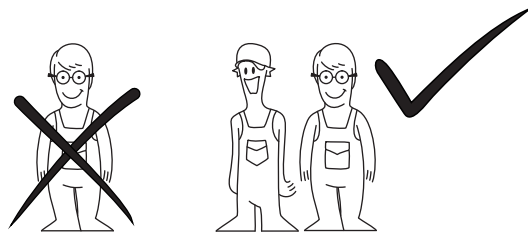
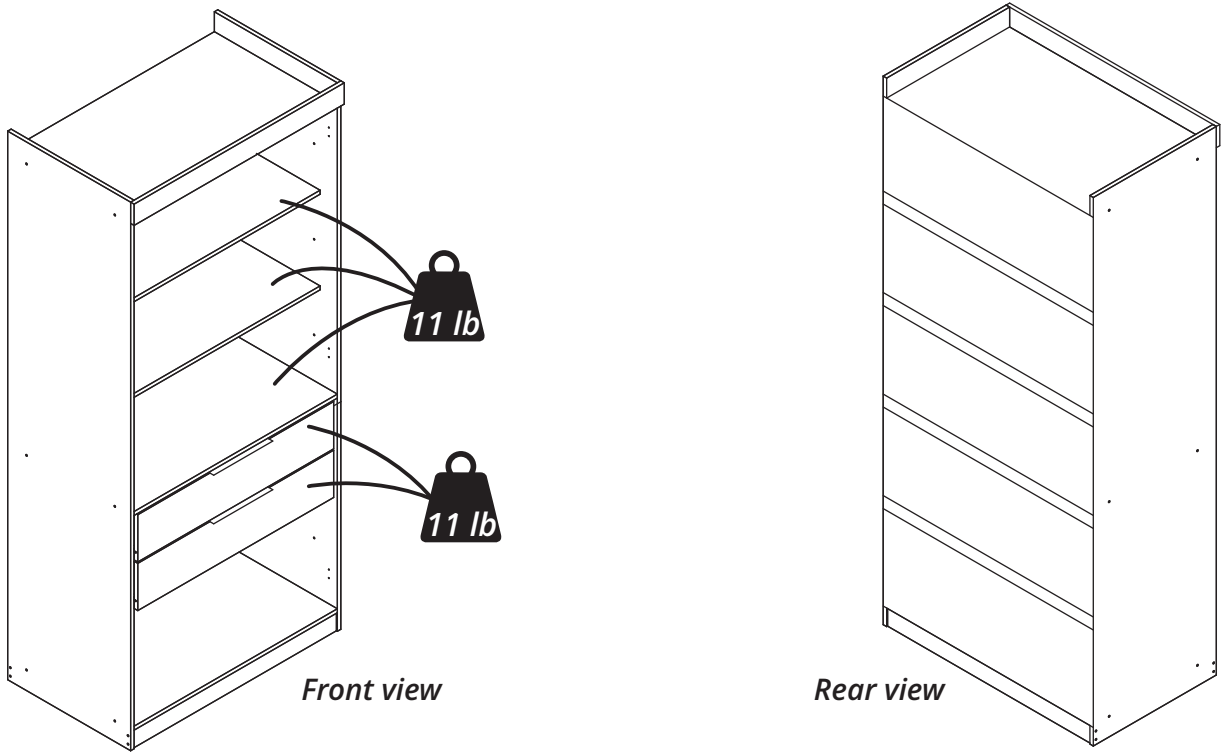
Included in the package

- 01 - Base = 01 piece
- 02 - Lower Bar = 02 pieces
- 03 - Left Side Panel = 01 piece
- 04 - Right Side Panel = 01 piece
- 05 - Top Panel = 01 piece
- 06 - Front of the Drawer = 02 pieces
- 07 - Left Side Panel of the Drawer = 02 pieces
- 08 - Right Side Panel of the Drawer = 02 pieces
- 09 - Rear Panel of the Drawer = 02 pieces
- 10 - Base of the Drawer = 02 pieces
- 11 - Shelf of the Drawers = 01 piece
- 12 - Adjustable Shelf = 02 pieces
- 13 - Upper Bar = 01 piece
- 14 - Back Panel = 05 pieces
- 15 - Union Plastic Profile = 04 pieces
- 16 - Left Support of the Slides = 01 piece
- 17 - Right Support of the Slides = 01 piece



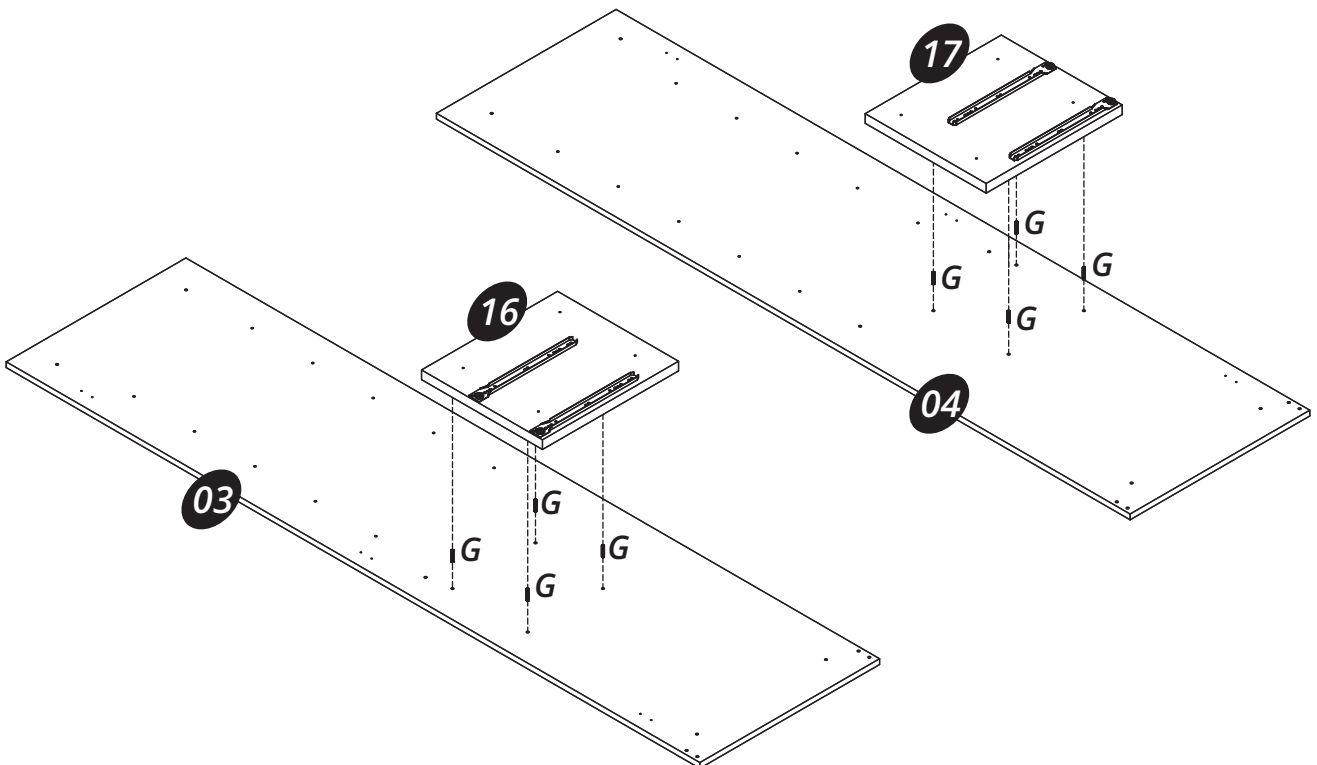
Tools needed (not included)

- Philips screw driver
- Screw driver



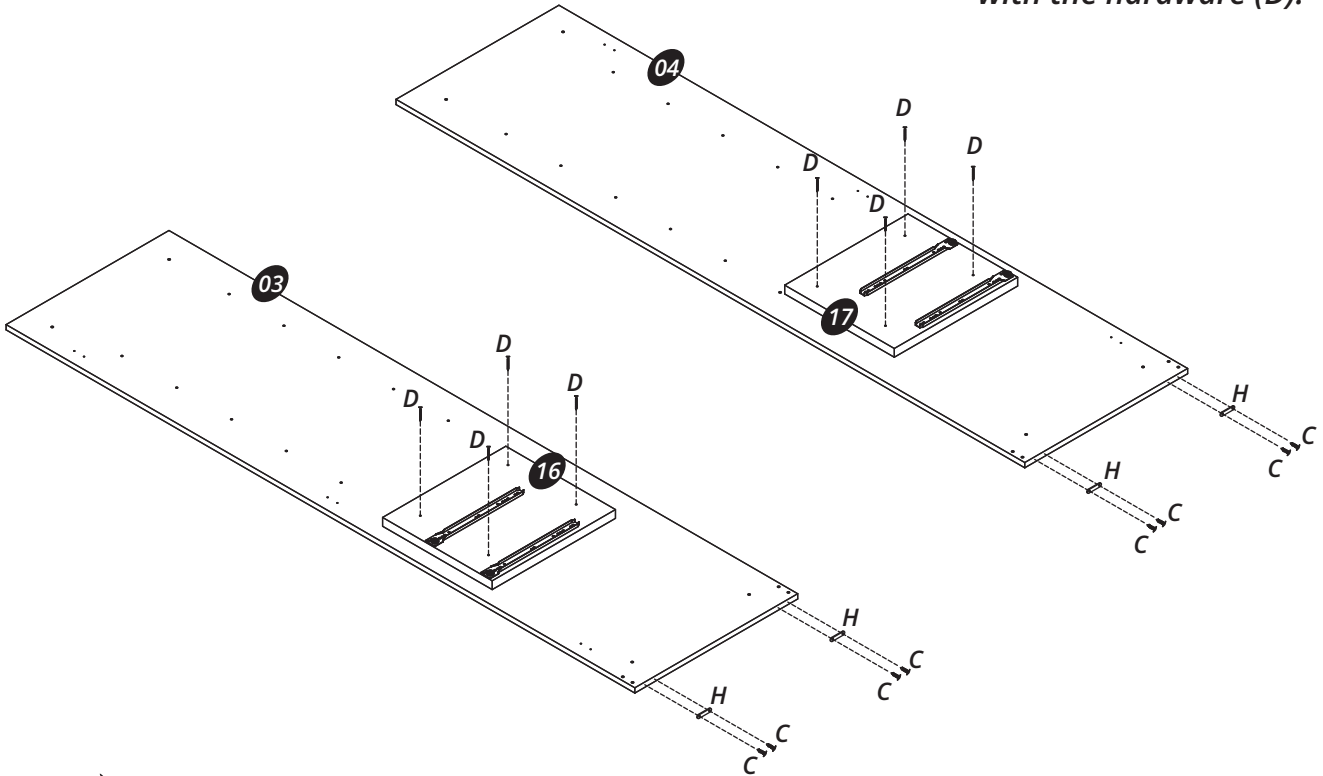
Step 01

Using the hardware (G) connect the part (16) onto the part (03) and the part (17) onto the part (04).



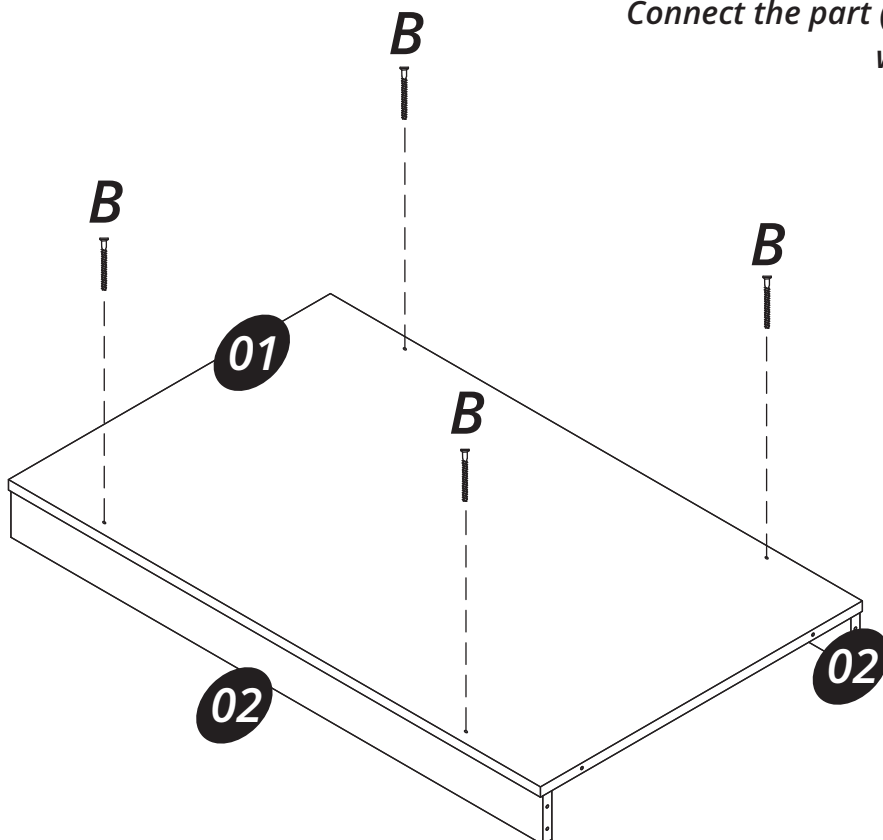
Step 02

Fix the hardware (H) onto the part (03) and the part (04) with the hardware (C).
Connect the part (16) and part (17) with the hardware (D).

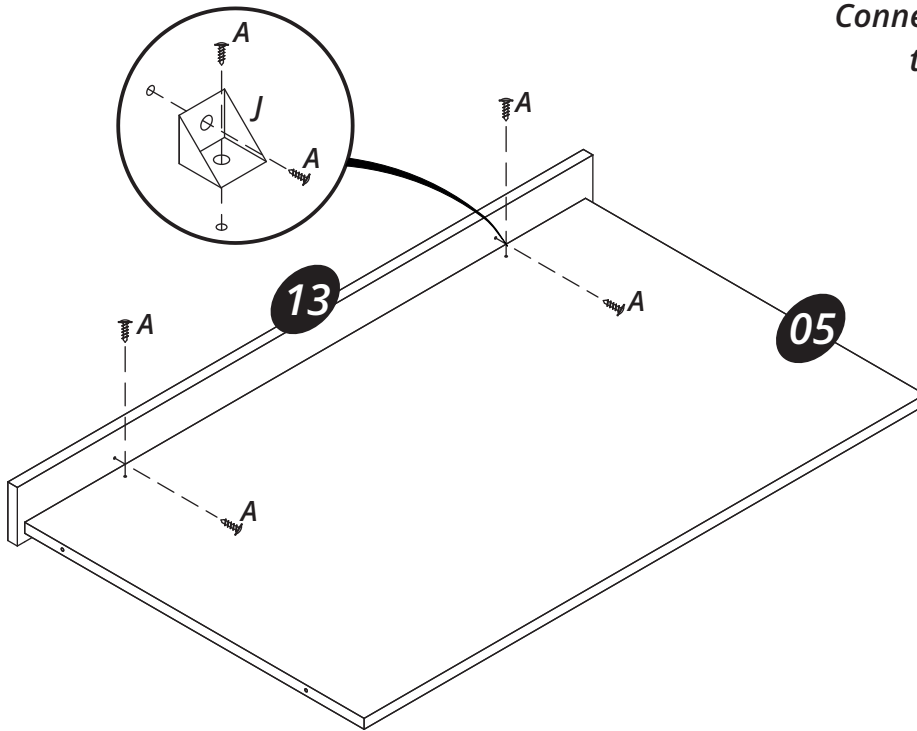


Step 03

Connect the part (01) onto the part (02) with the hardware (B).



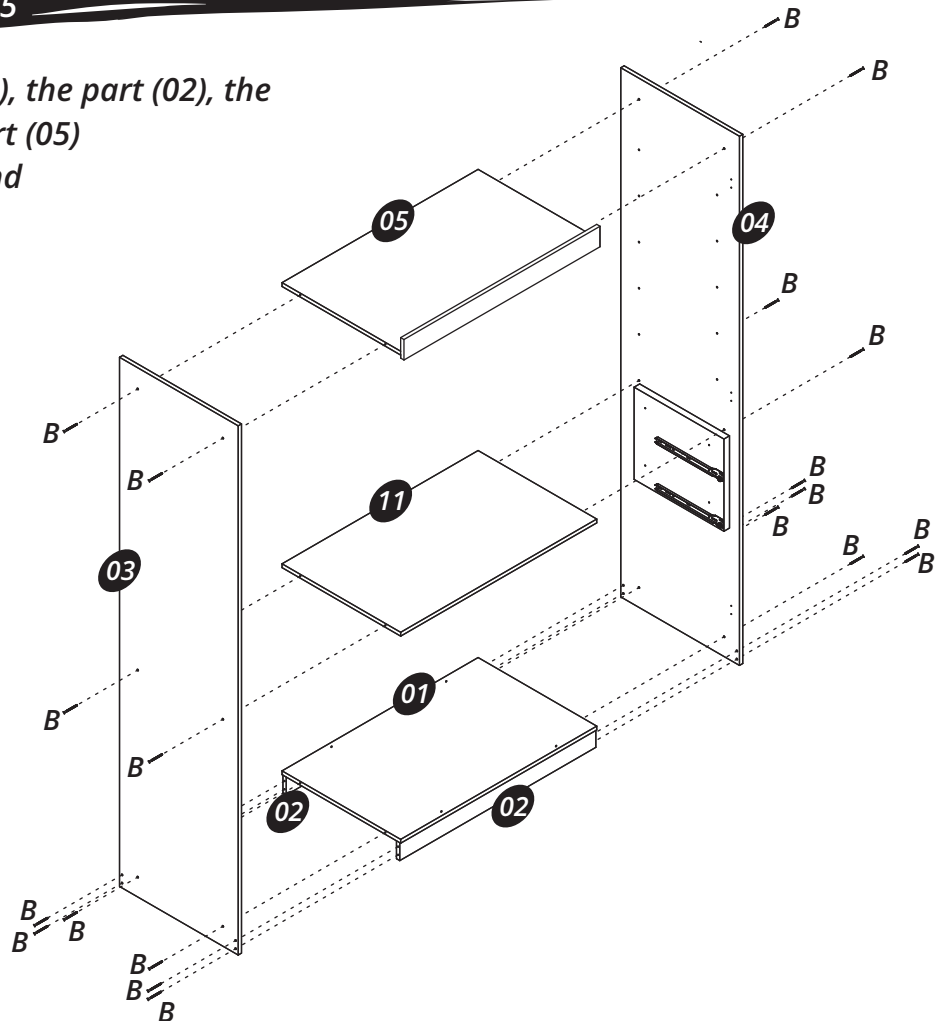
Step 04



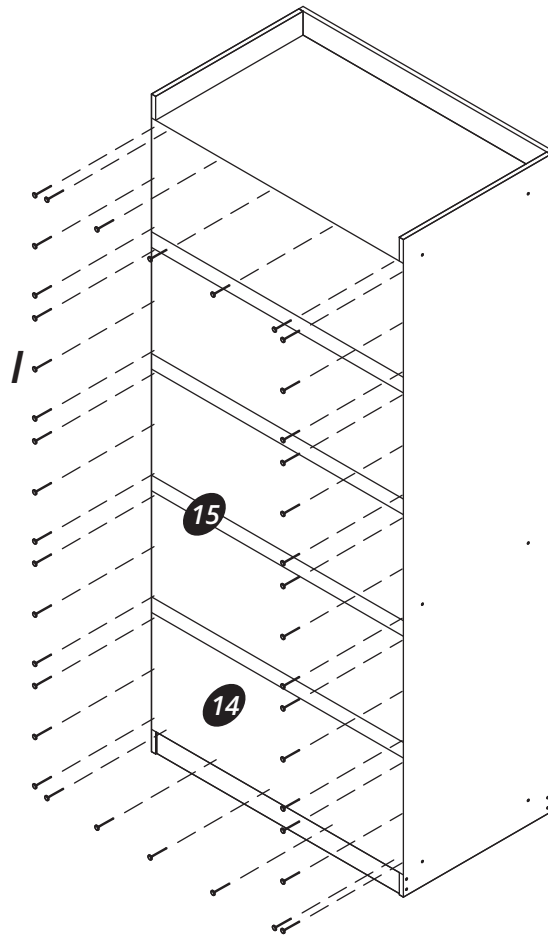
Connect the part (13) onto the part (05) with the hardware (J) and the hardware (A).

Step 05

Connect the part (01), the part (02), the part (11) and the part (05) onto the part (03) and the part (04) with the hardware (B).

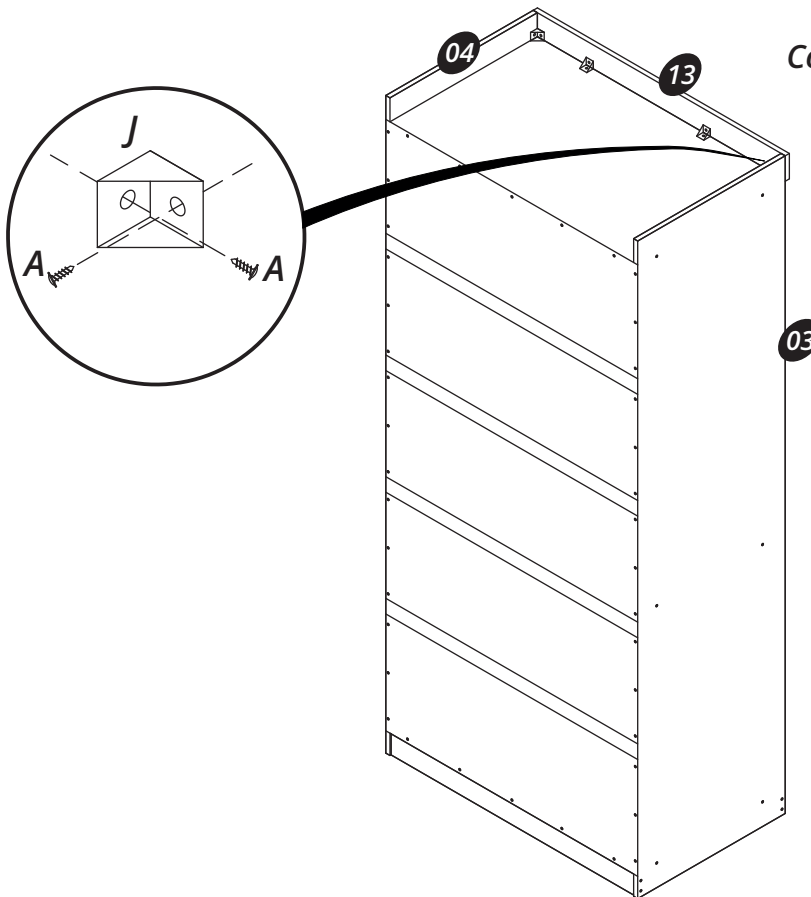


Step 06



Connect all the parts (14) joining with the part (15) and the hardware (I).

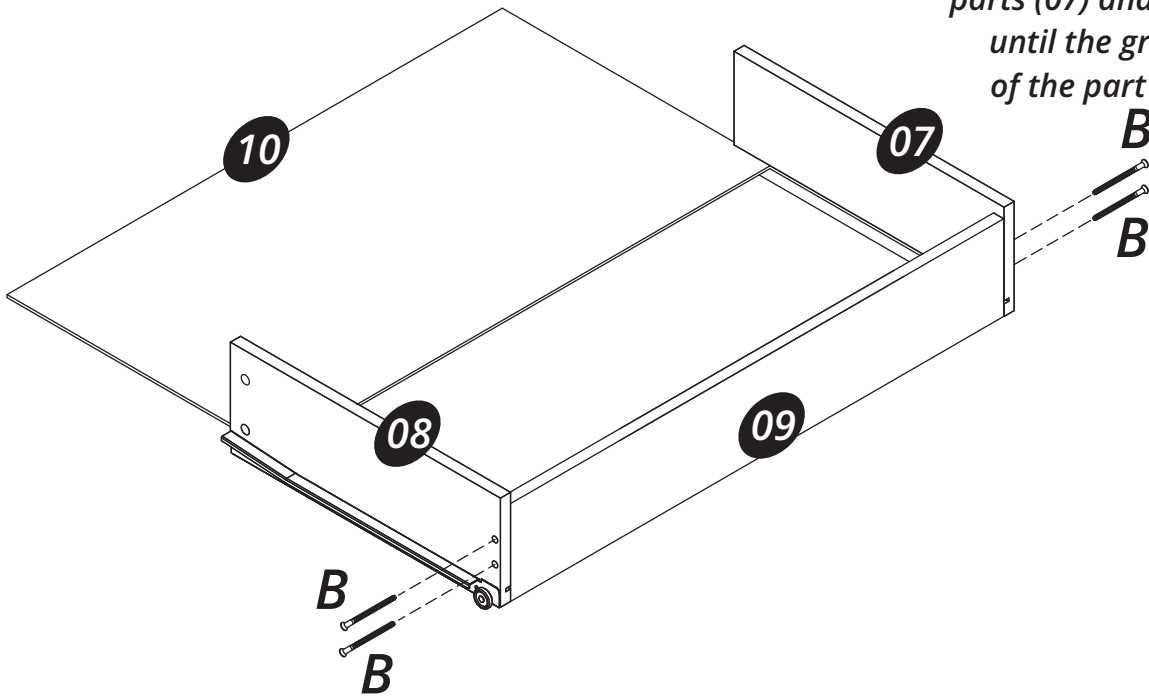
Step 07



Connect the part (13) onto the part (03) and the part (04) joining the corners with the hardware (J) with the hardware (A).

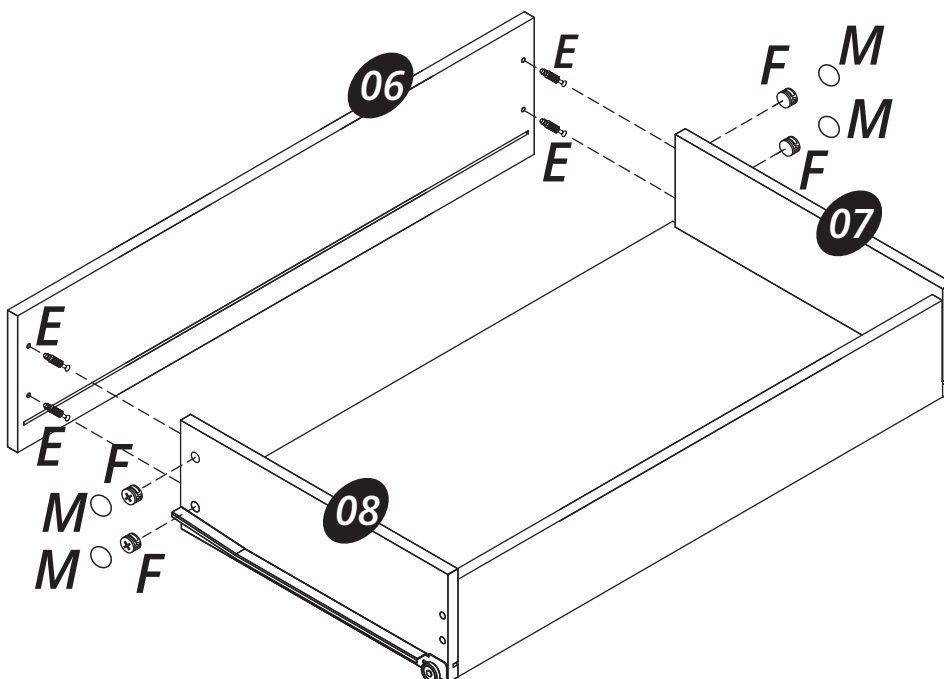
Step 08

Connect the parts (07), (08) and (09) with the hardware (B).
Apply the part (10) in the groove of the parts (07) and (08) until the groove of the part (09).



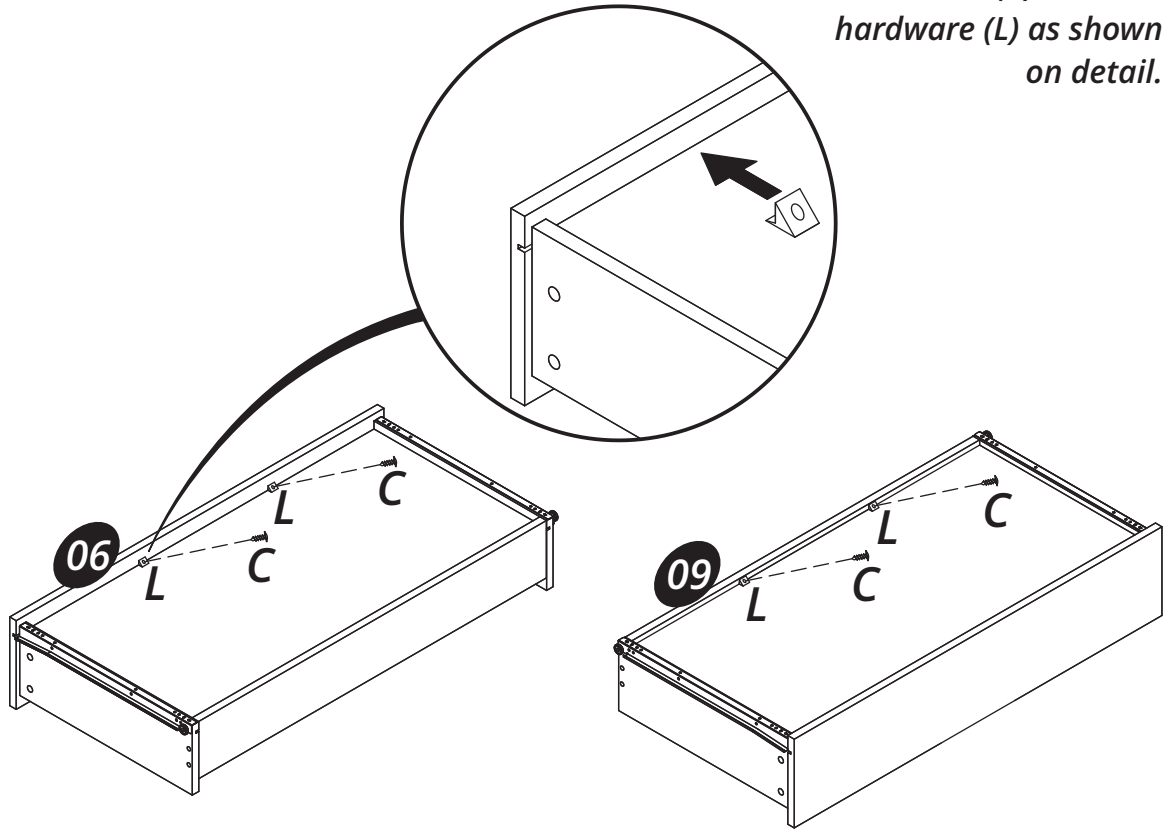
Step 09

Connect parts (07), (08) and (06) using the hardware (E + F).
Apply the hardware (M) on the hardware (F).



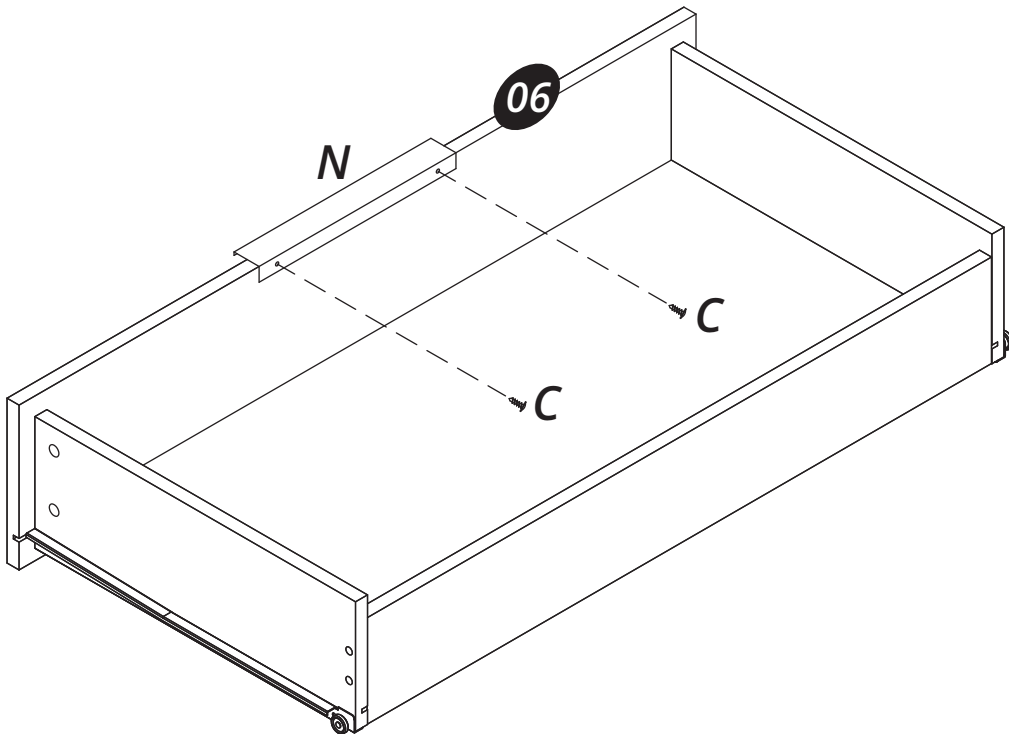
Step 10

Use the hardware (C) with the hardware (L) as shown on detail.

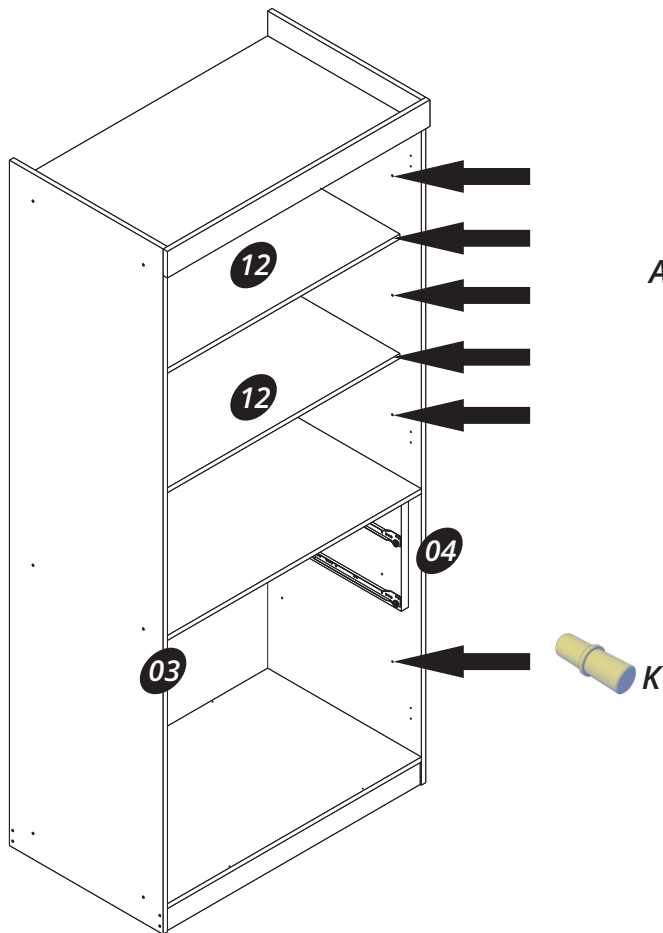


Step 11

Connect the hardware (N) onto the part (06) with the hardware (C).

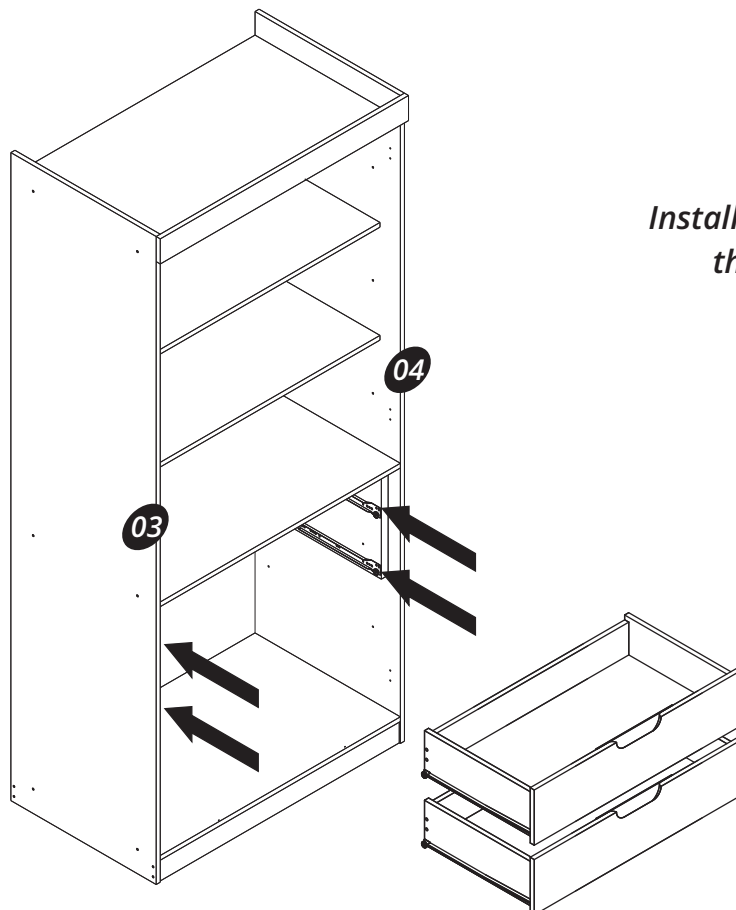


Step 12



Apply the hardware (K) into the part (03) and the part (04) to support the part (12).

Step 13



Install the drawer fitting it into the slides fixed on the side of parts (03) and (04).