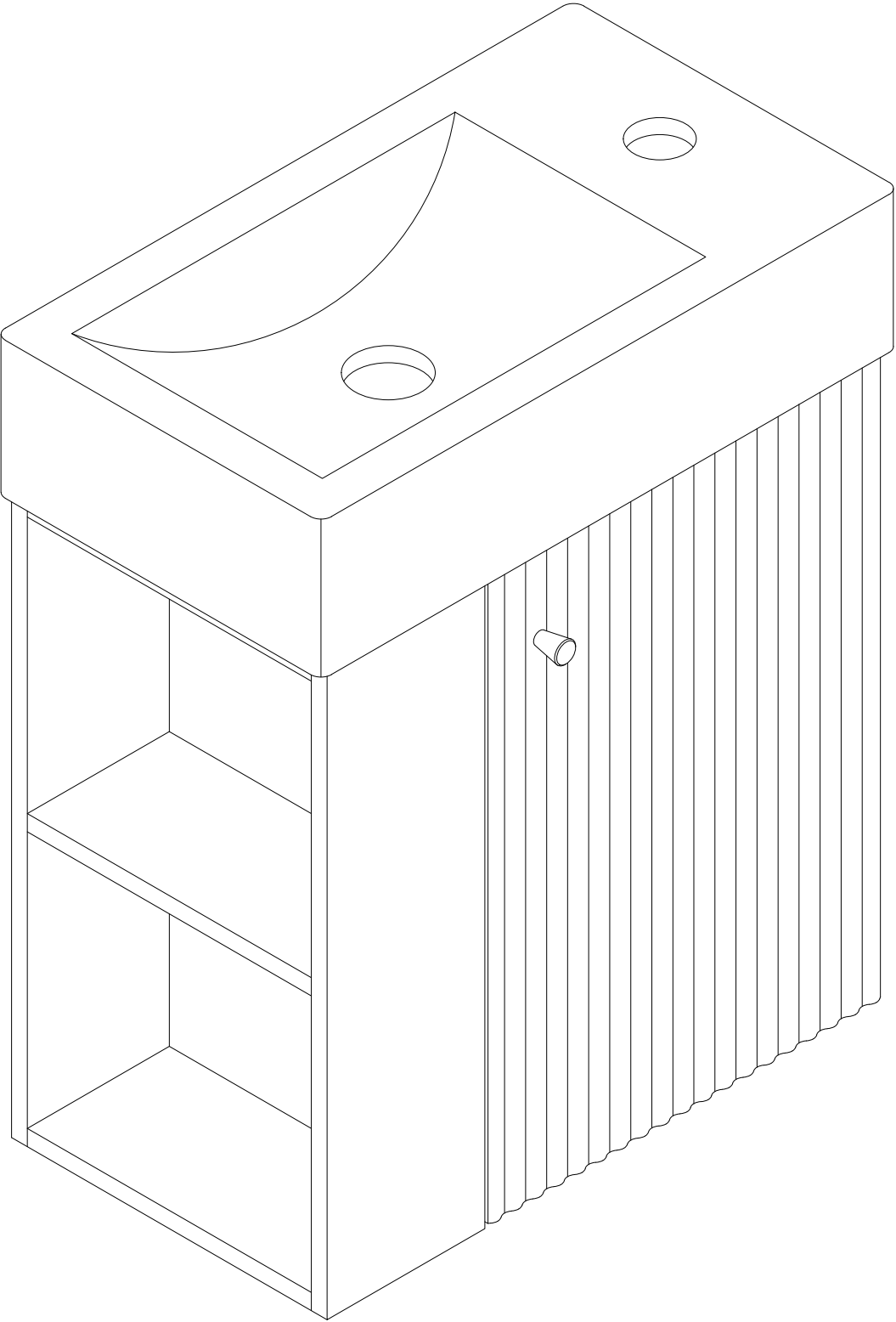
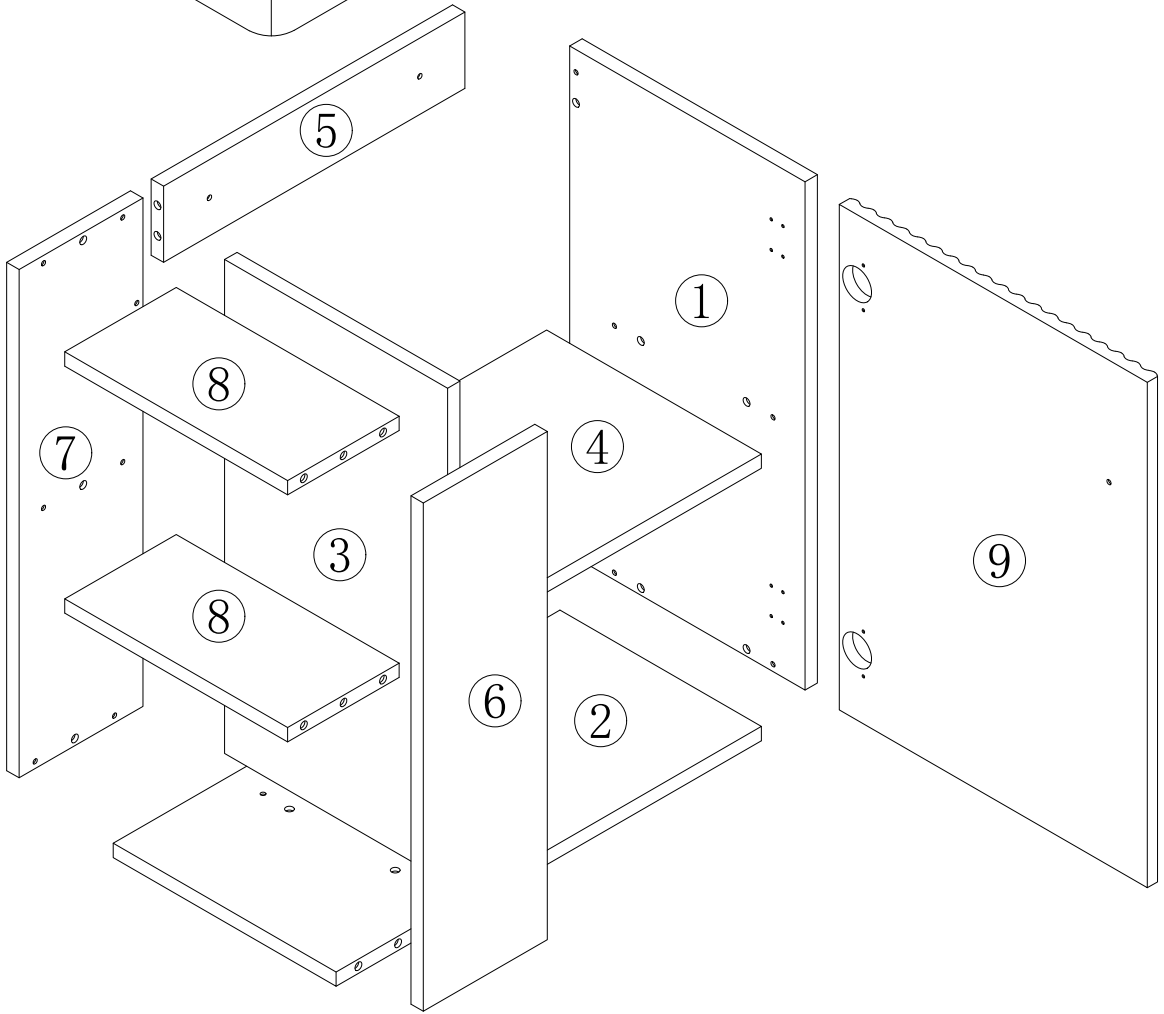
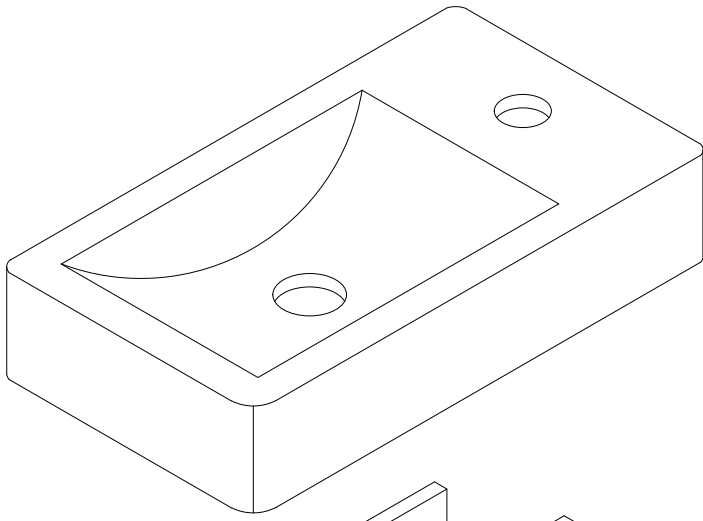
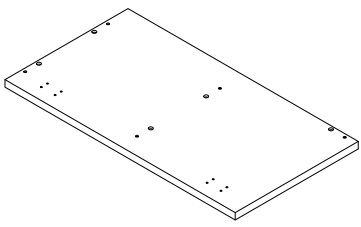
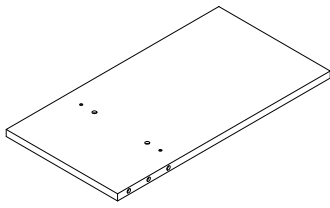
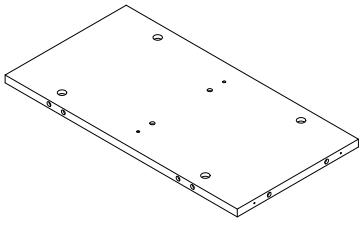
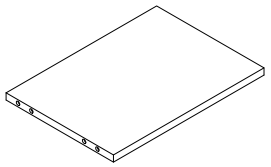
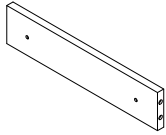
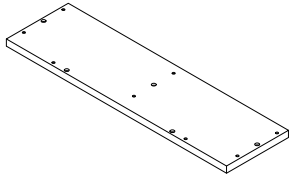
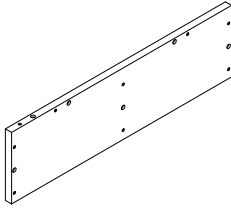
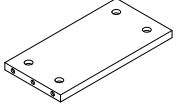
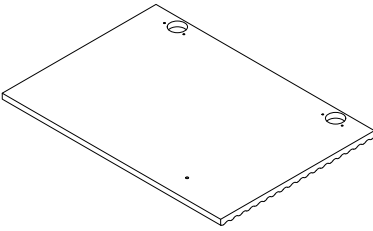
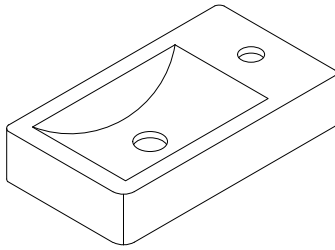


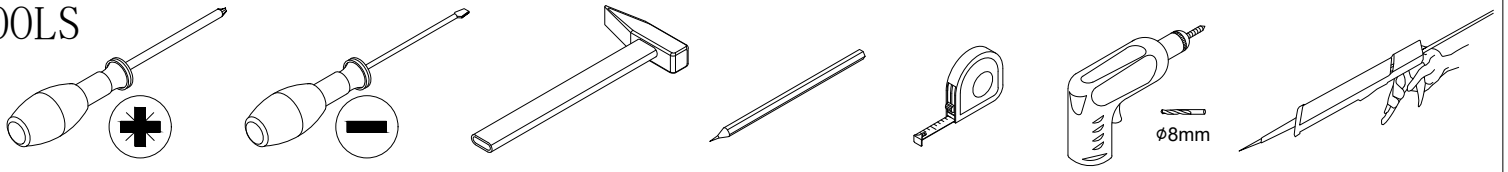
# ASSEMBLY INSTRUCTION

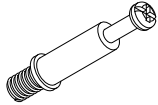




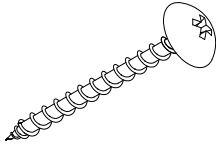


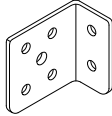
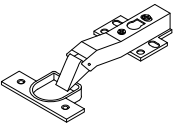
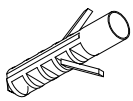
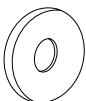
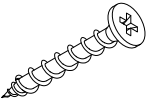






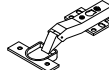
			
① x1	② x1	③ x1	④ x1
			
⑤ x1	⑥ x1	⑦ x1	⑧ x2
			
⑨ x1			

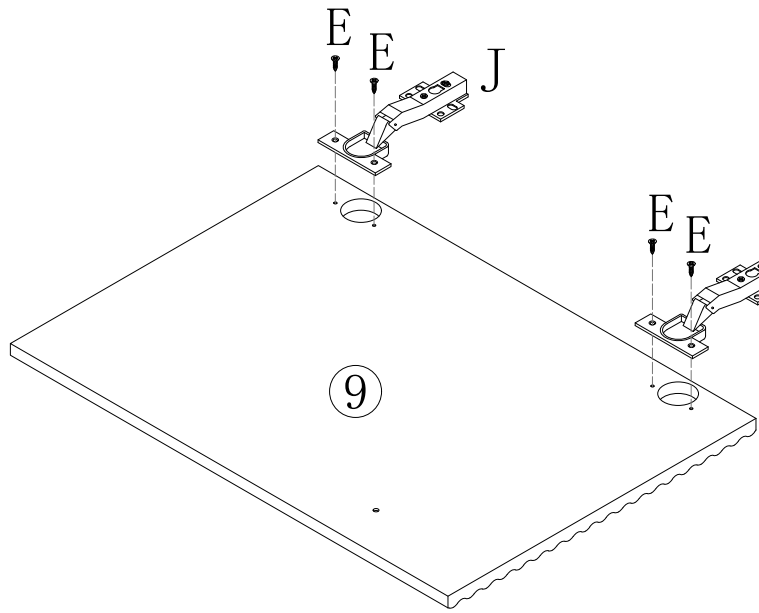
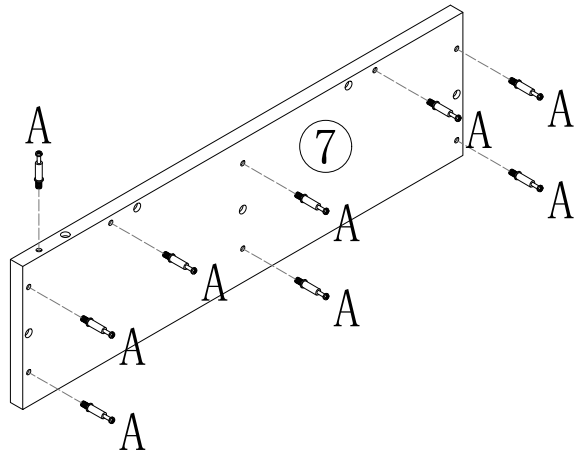
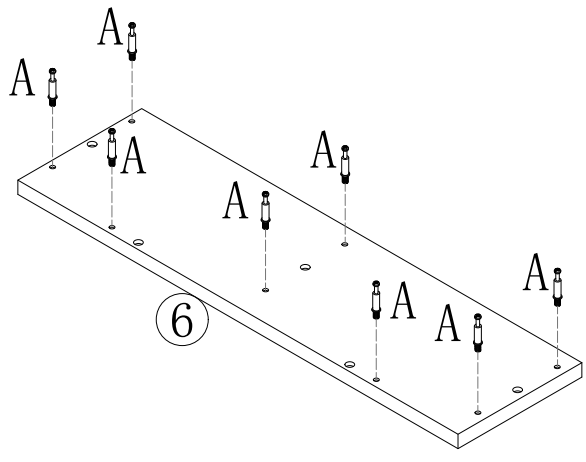
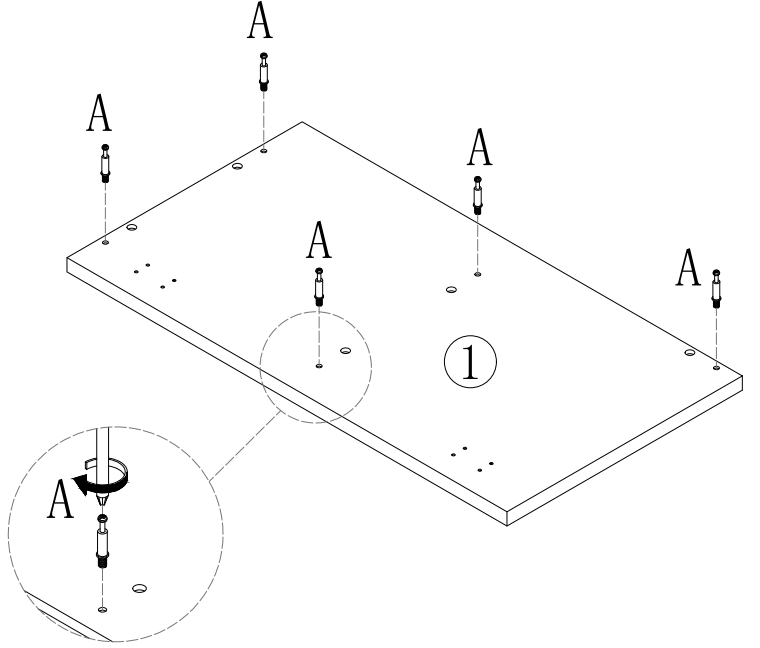
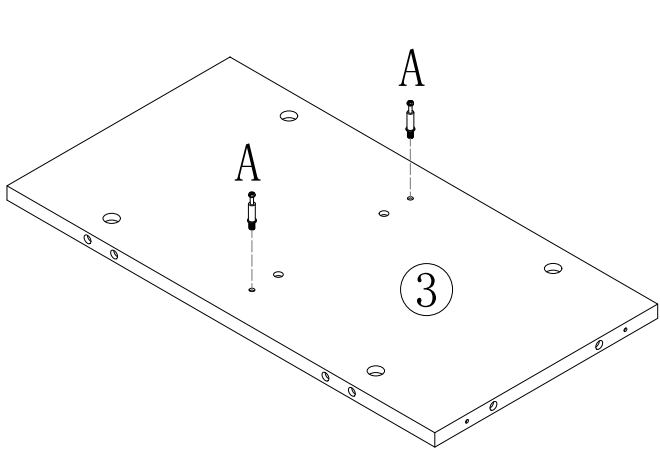
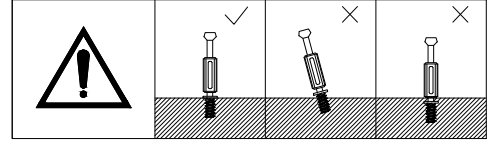
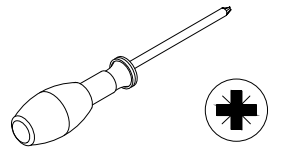
TOOLS






A * 24	B * 24	C * 20	D * 12	E * 12
				
M6 X 35mm	Ø15 x 12mm	Ø8 x 30mm	M4 x 14mm	M4 x 14mm
F * 2	G * 1	H * 1	I * 2	J * 2
				
M5 x 50mm	M4 x 20mm			Ø35
K * 2	L * 2	M * 2		
				
Ø6 x 30mm	Ø20	M4 x 35mm		

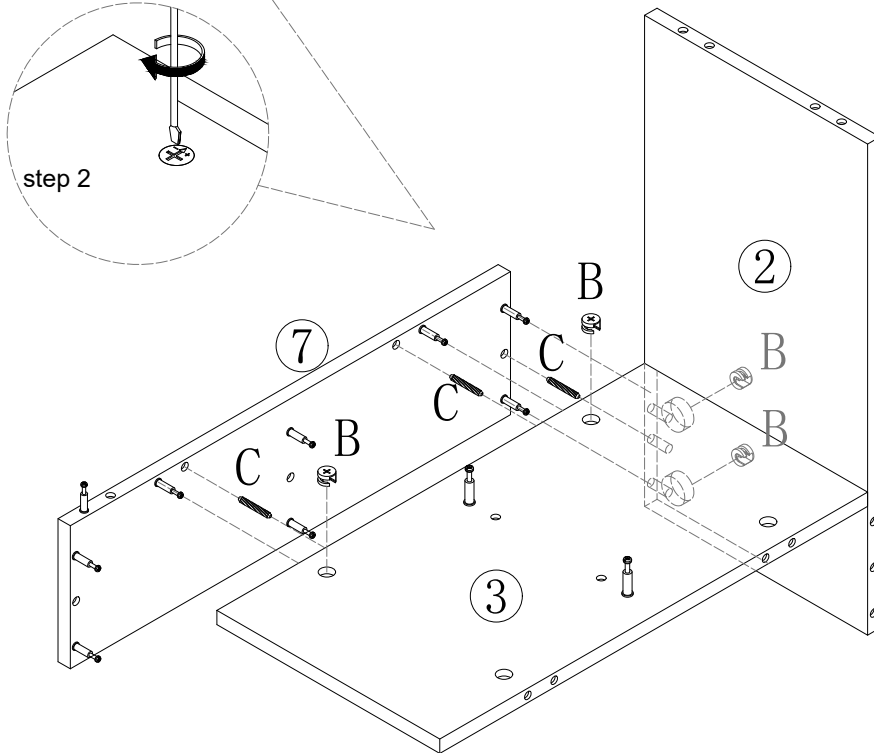
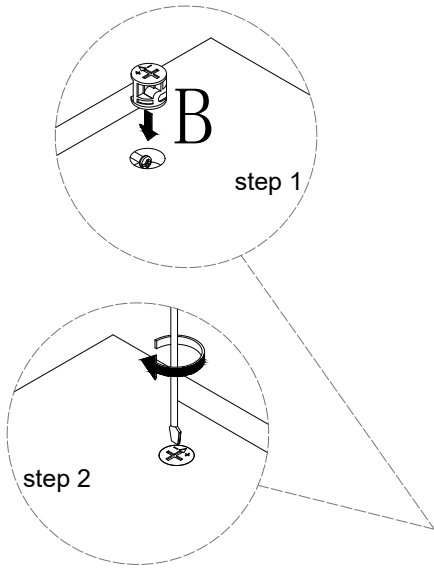
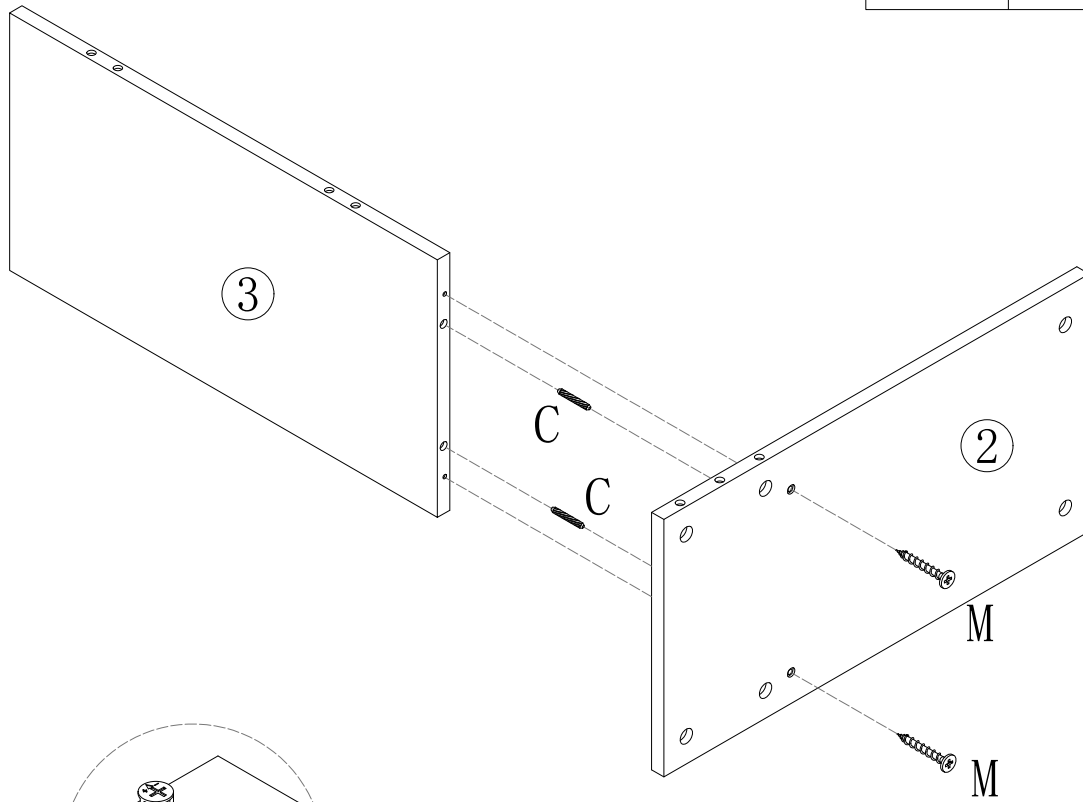
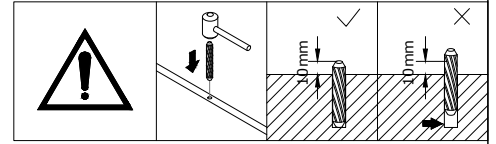
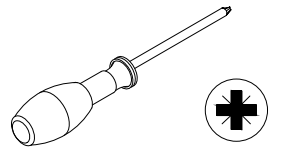
# Step 1

A * 24	E * 4	J * 2
 M6 X 35mm	 M4 x 14mm	 Ø35





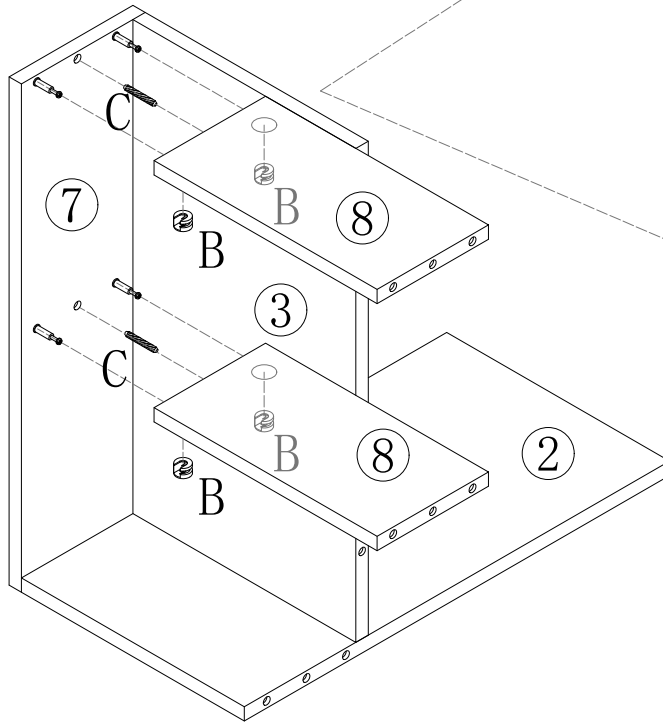
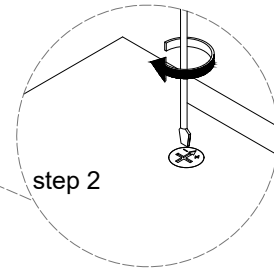
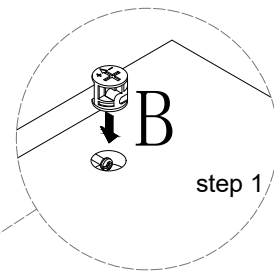
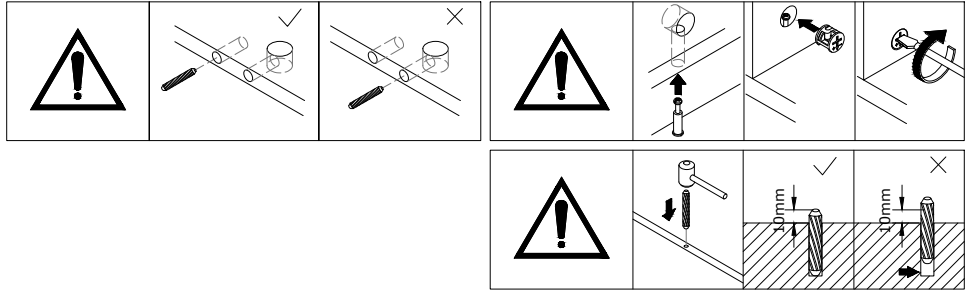
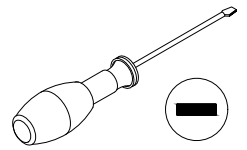
# Step 2

C * 5  Ø8 X 30mm	B * 4  Ø15 x 12mm	M * 2  M4 x 35mm
---	--	---





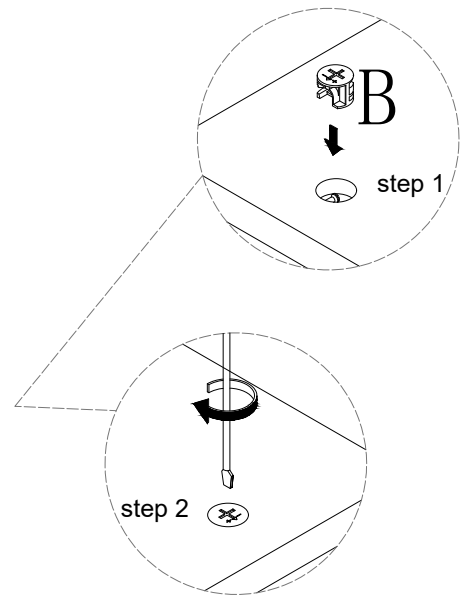
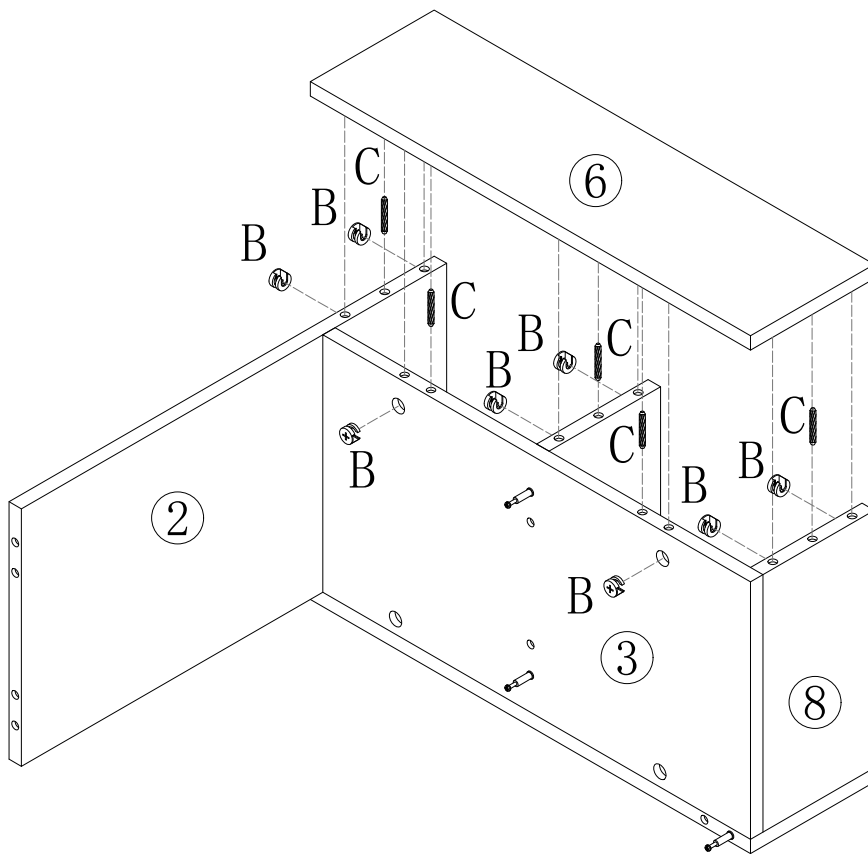
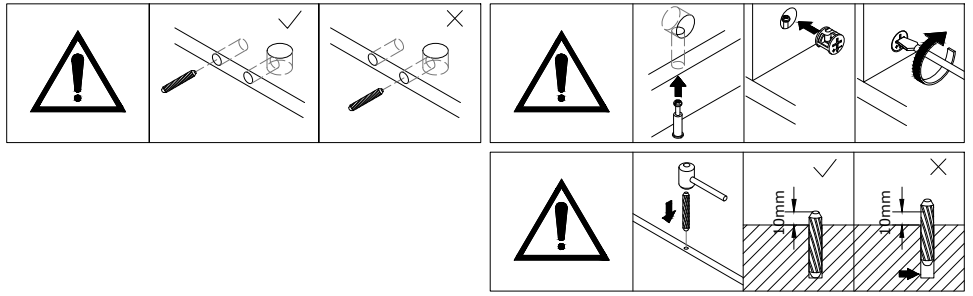
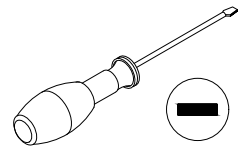
# Step 3

B * 4  Ø15 x 12mm	C * 2  Ø8 x 30mm
--	---





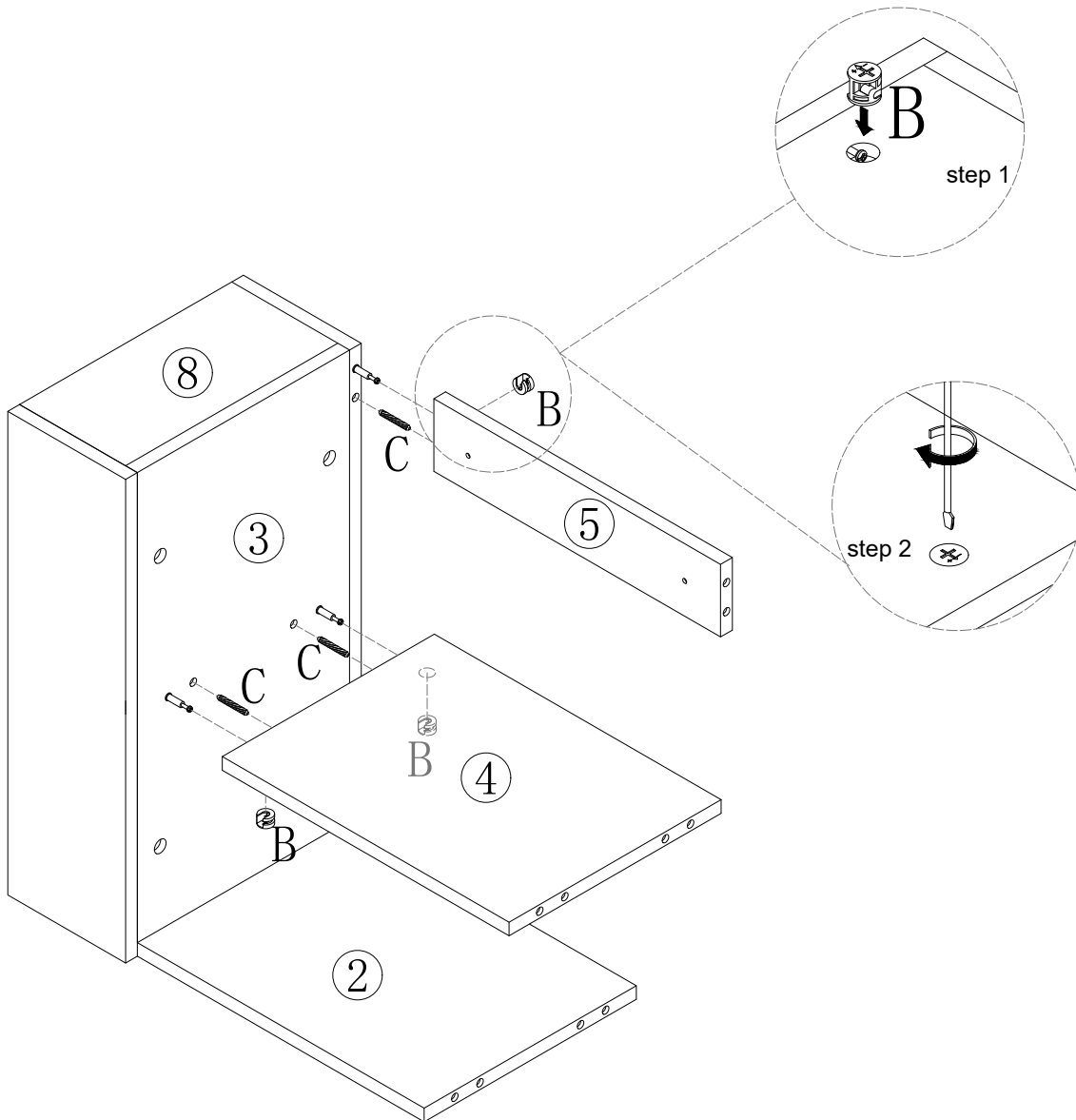
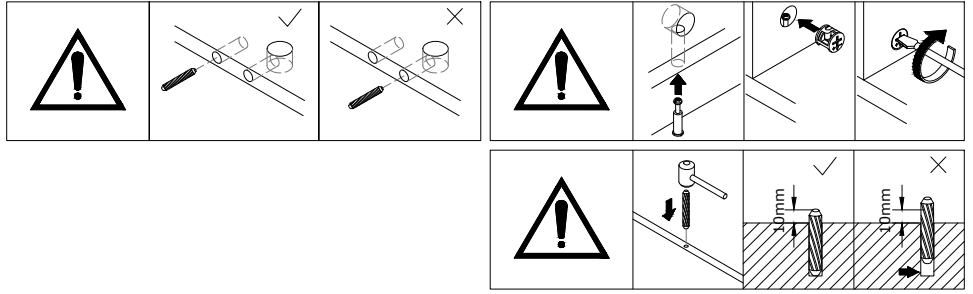
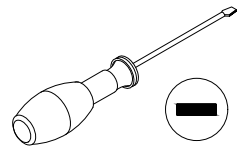
# Step 4

B * 8	C * 5
 Ø15 x 12mm	 Ø8 x 30mm





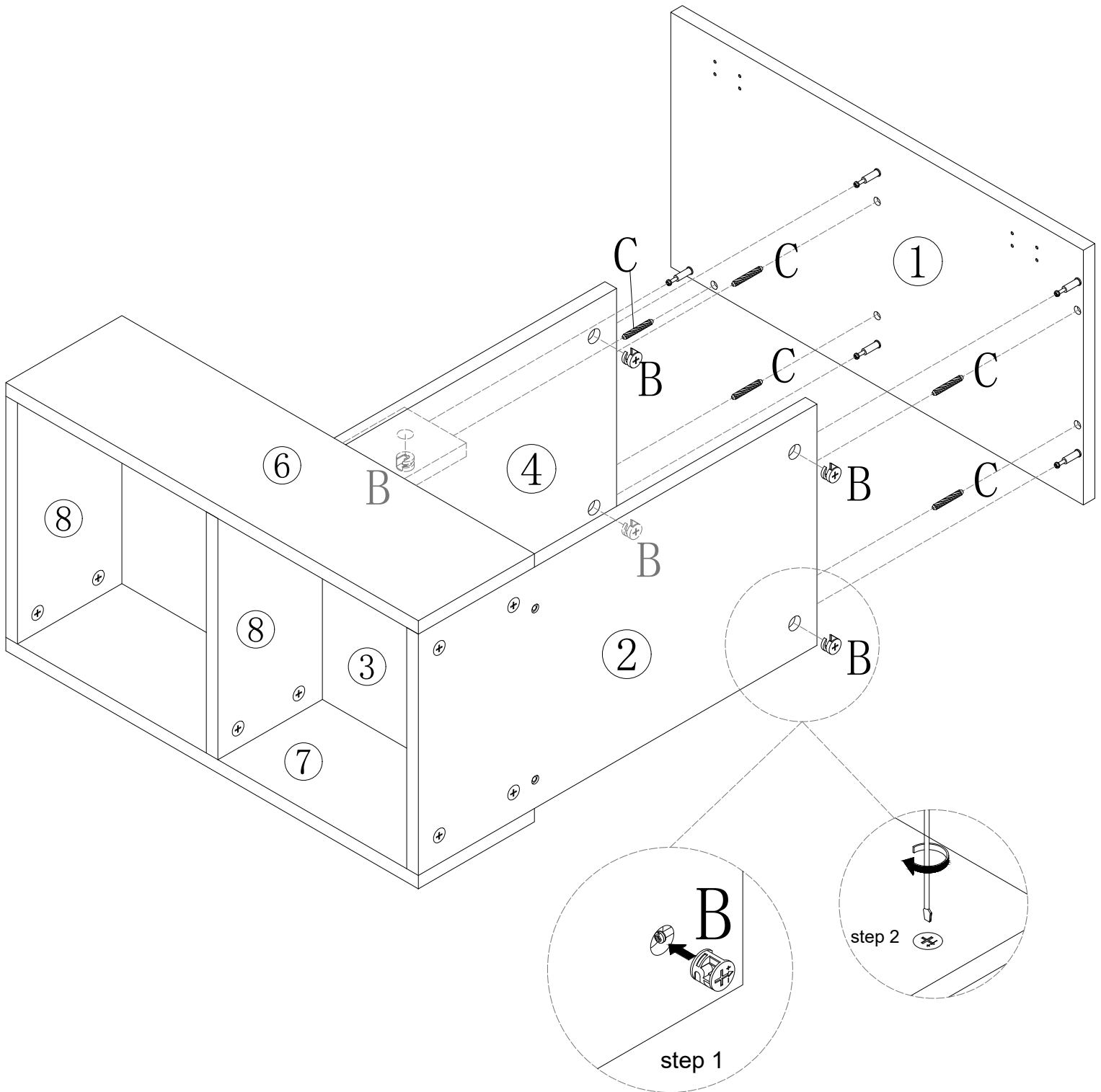
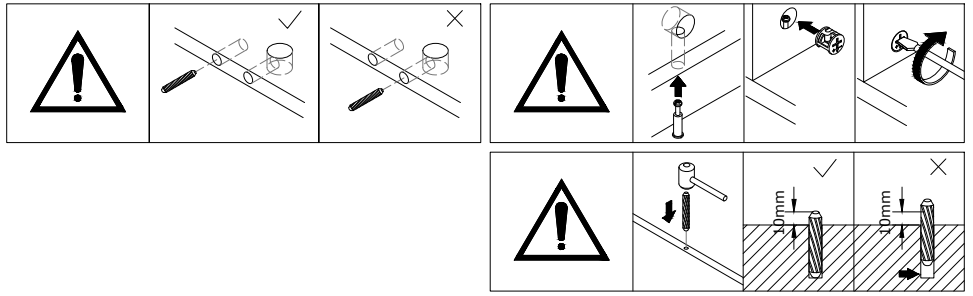
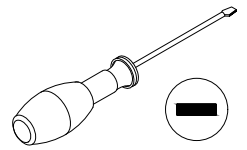
# Step 5

B * 3  Ø15 x 12mm	C * 3  Ø8 x 30mm
--	---

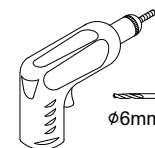
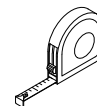
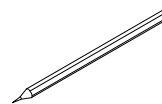


# Step 6

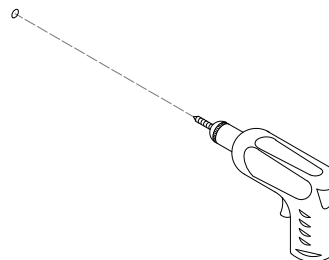
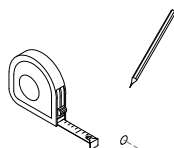
B * 5  Ø15 x 12mm	C * 5  Ø8 x 30mm
--	---



# Step 7



Wall



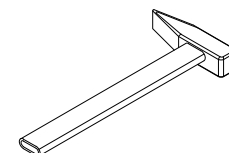
Please mark the location on the wall with a pencil, then punch the hole

# Setp 8

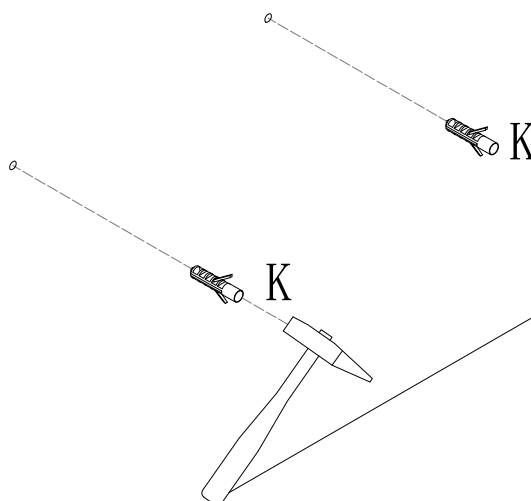
K \* 2




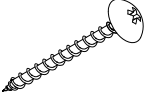
Ø6 x 30mm

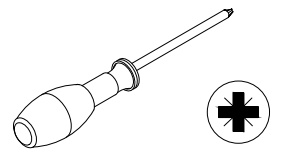


Wall

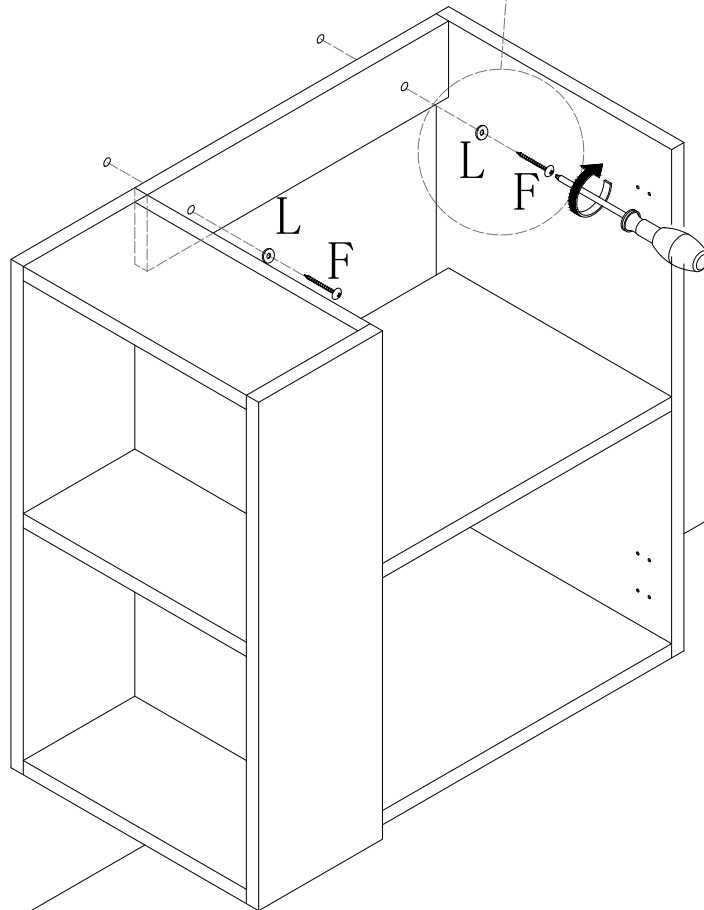
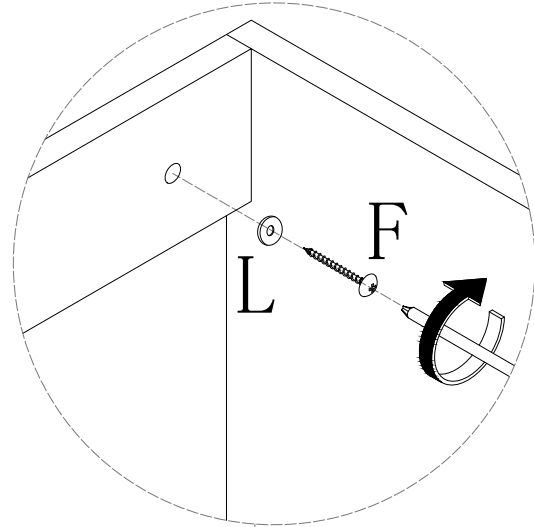


# Step 9




L * 2	F * 2
 Ø16	 M5 x 50mm

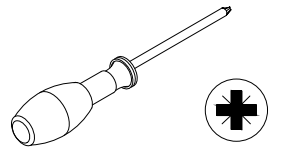


Wall

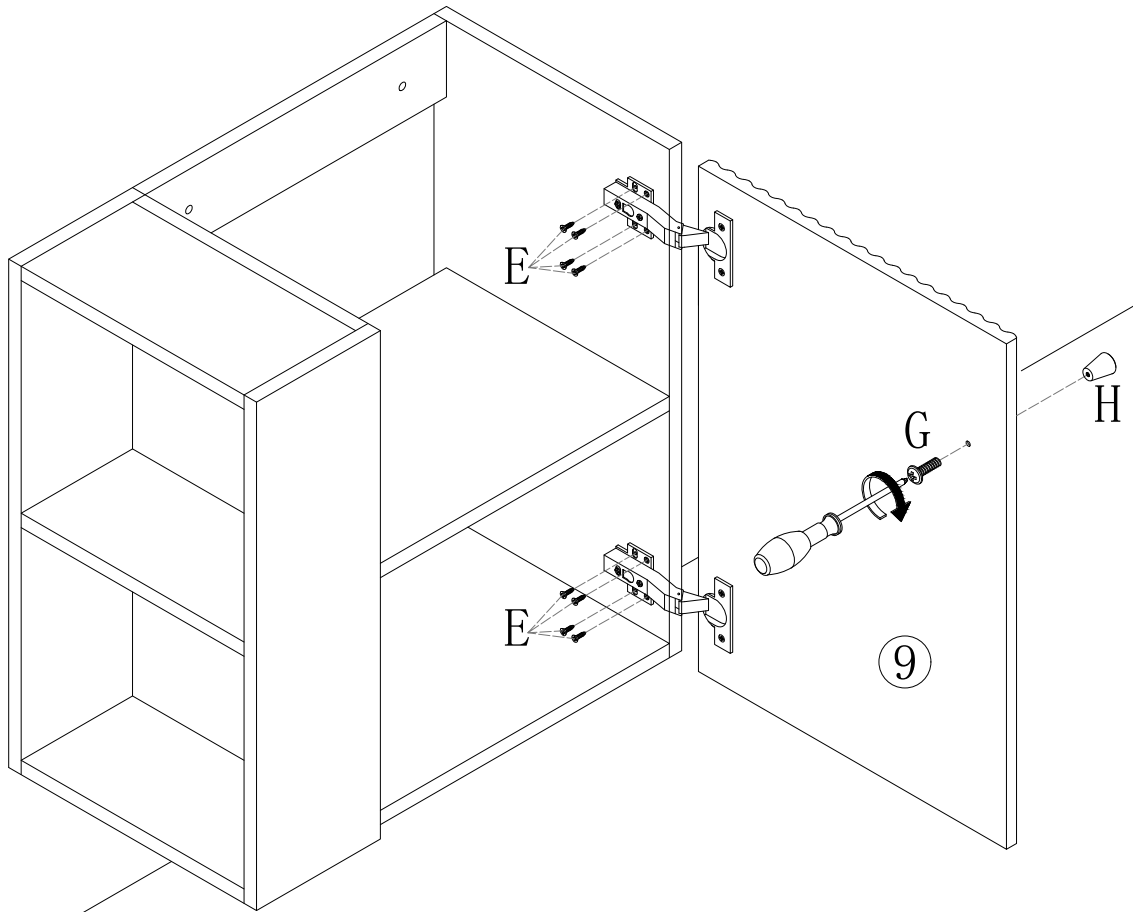


# Step 10

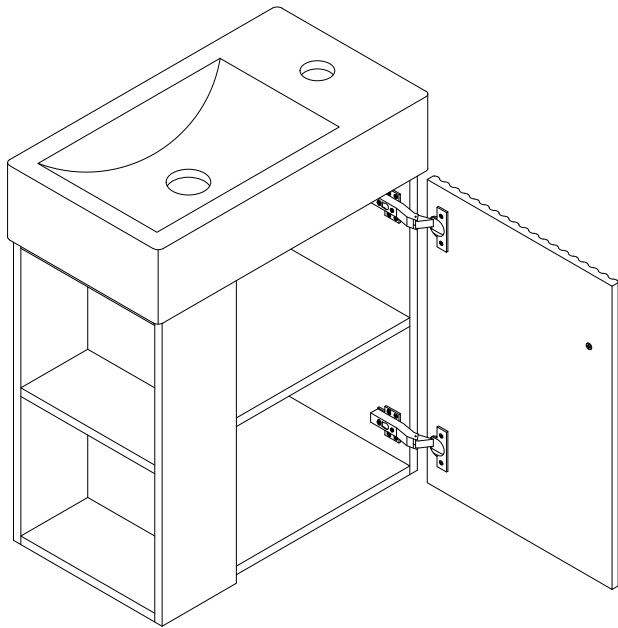
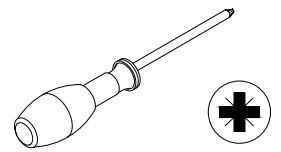
E * 8	G * 1	H * 1
 M4 x 14mm	 M4 x 20mm	



Wall

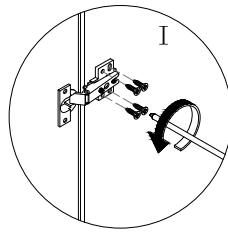


# Step 11

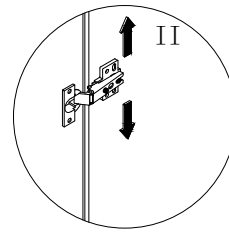


## Adjust door following the direction.

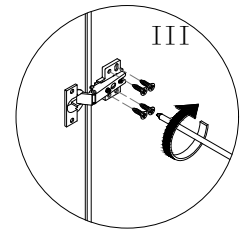
### Adjust the door up and down to match the cabinet.



I:loosen the screw.



II:Adjust the upper and lower position.

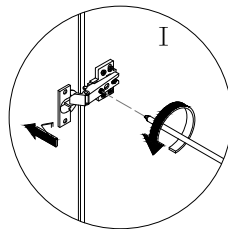


II:tighten the screw.

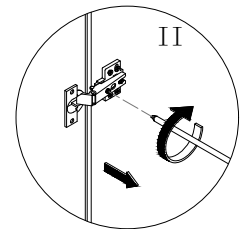


**When the door position is not standard,please adjust the door according to the right picture.**

### Adjust the door left and right to match the cabinet for suitable crack of the door



I:loosen the screw to keep hinge apply force toward the direction of arrow.

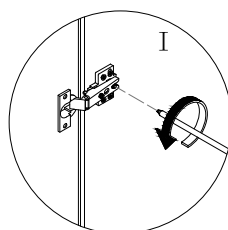


II:tighten the screw to keep hinge apply force toward the direction of arrow.

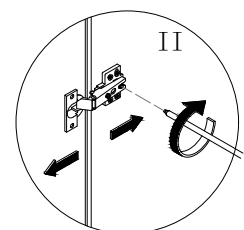


**Please place the cabinet on the flat floor before adjustment.**

### Adjust the door backwards and forwards to match the cabinet.

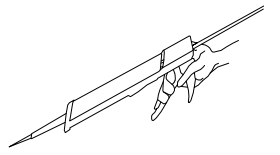


I:loosen the screw.

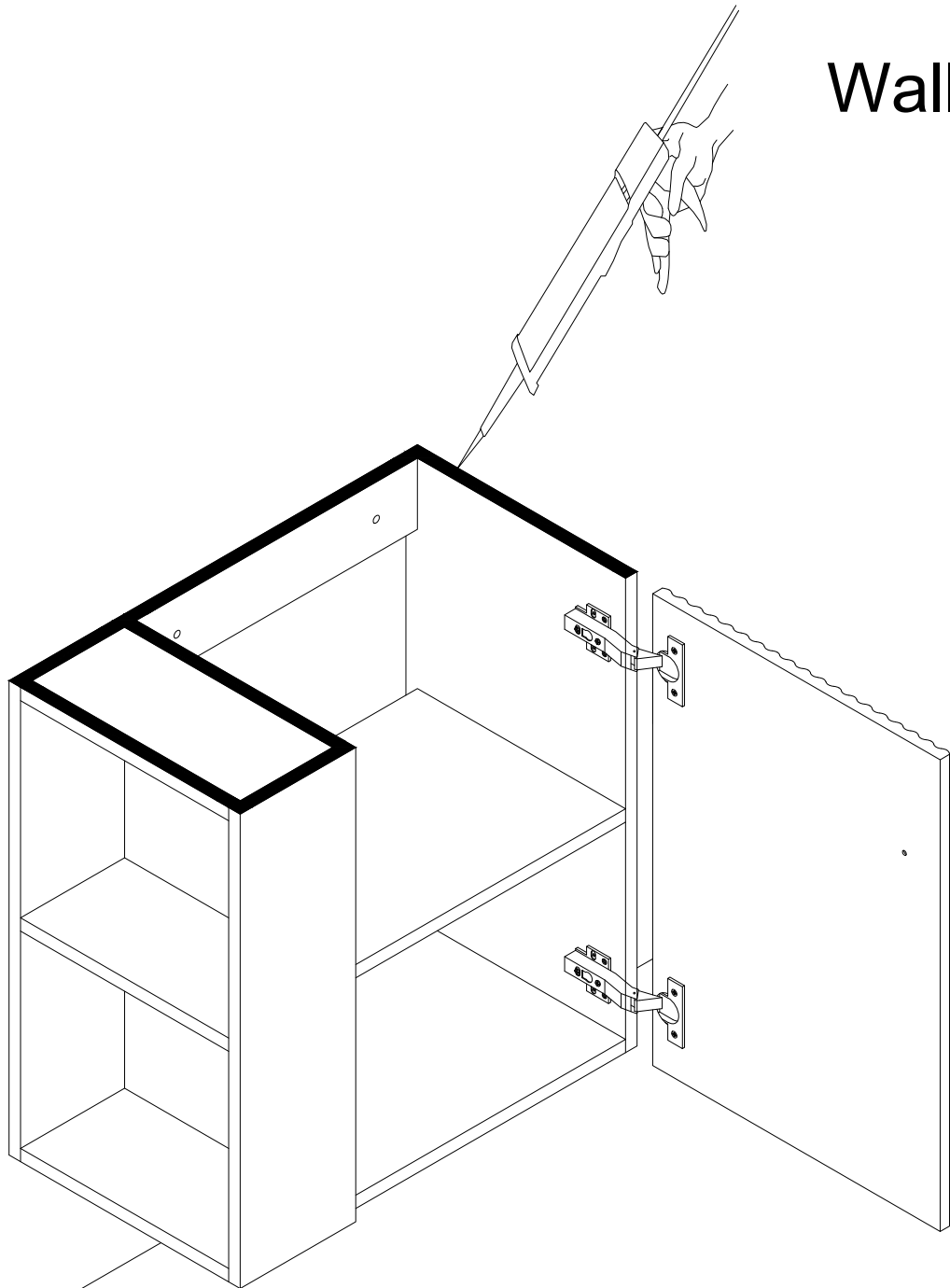


II:Adjust the distance between front and back.

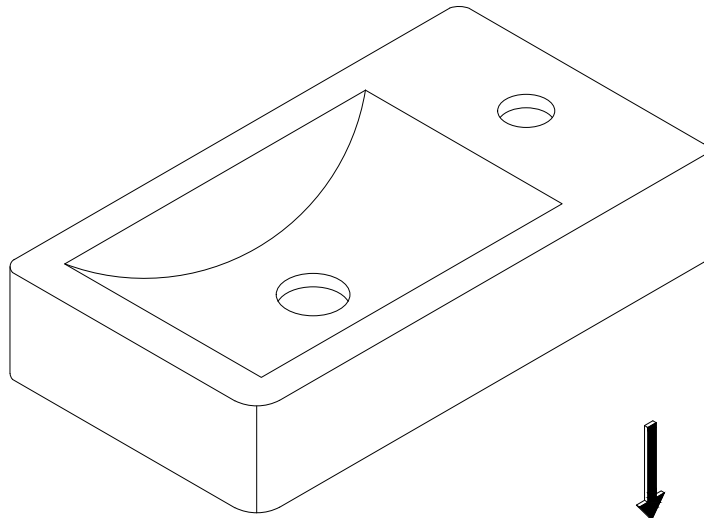
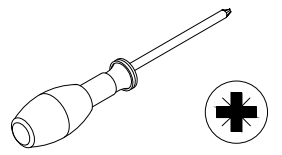
# Step 12



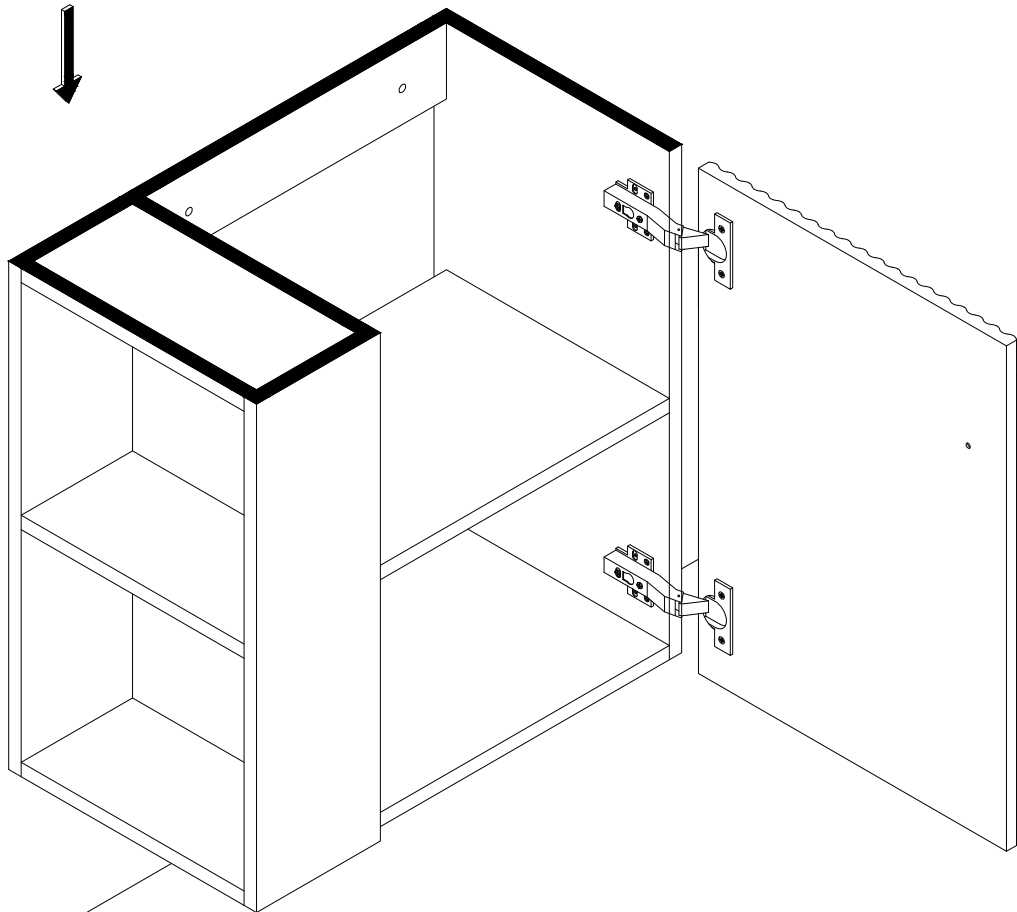
Wall



Step 13



Wall



# Step 14

