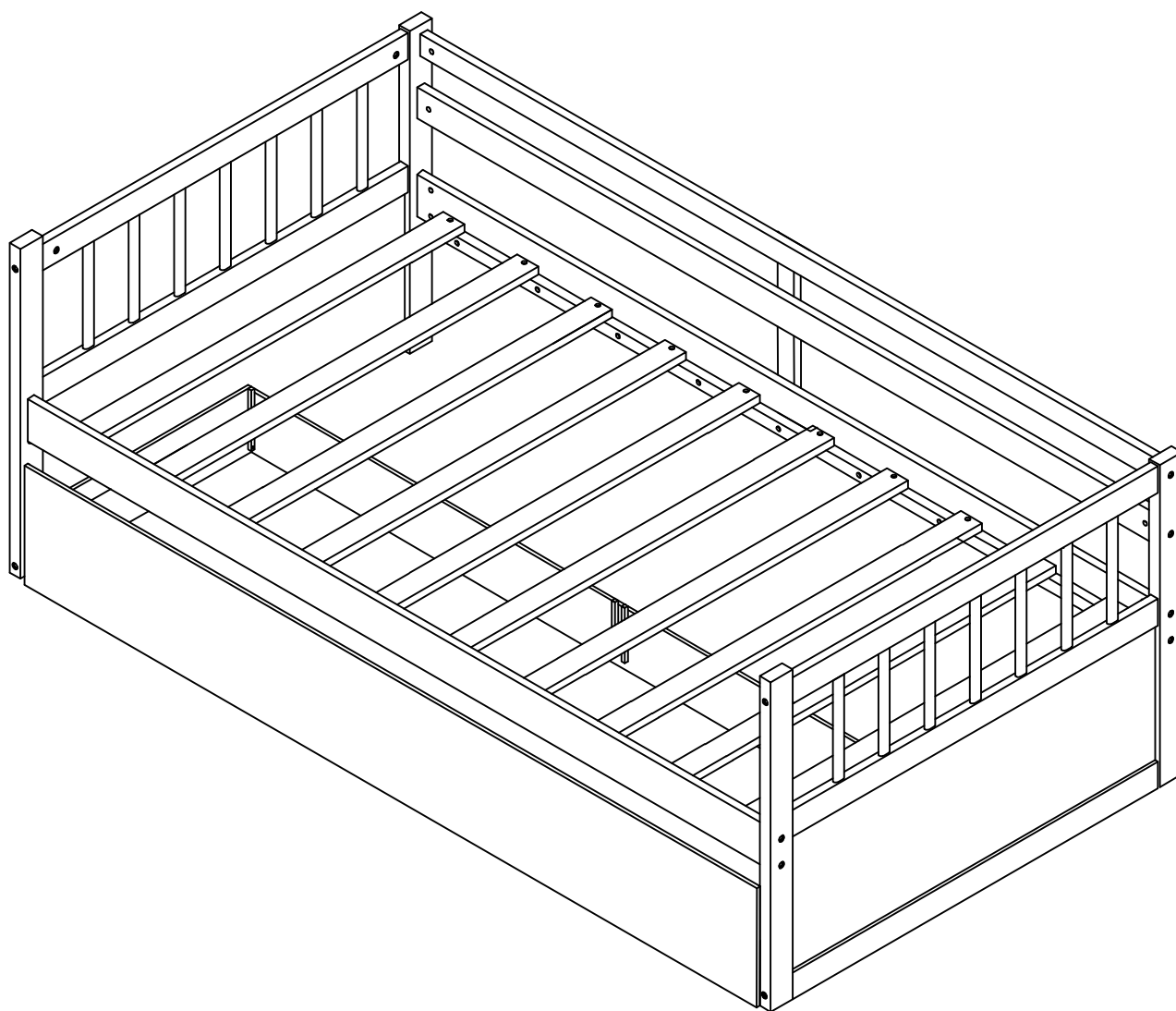


ASSEMBLY INSTRUCTIONS

DAY BED WITH 2 DRAWERS



PLEASE DO NOT RETURN PRODUCT TO THE STORE.

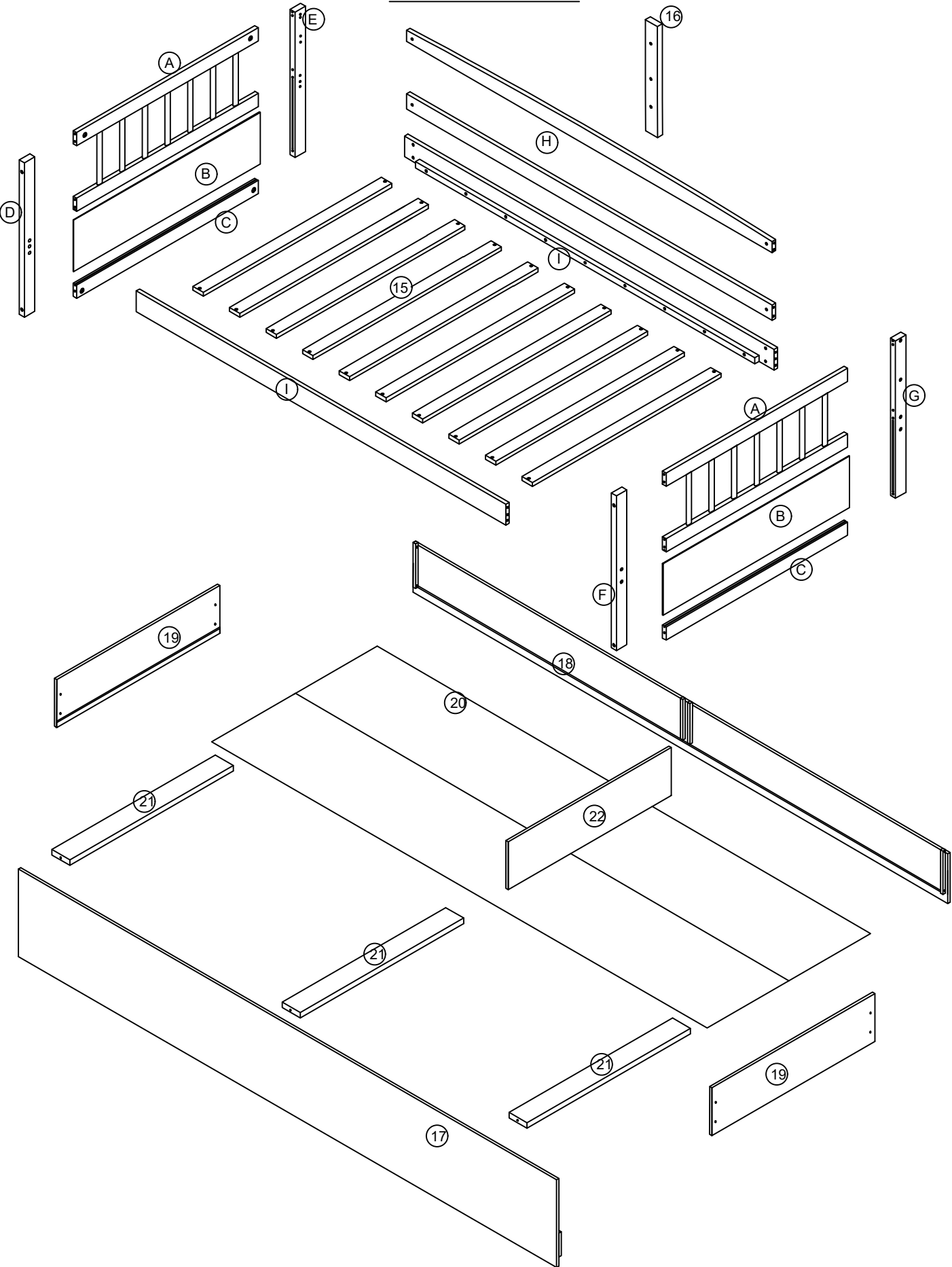
If you have any problem or concerns, please feel free to contact our customer service department. We will reply you as soon as possible.



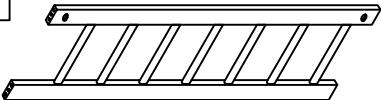


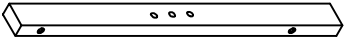
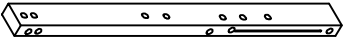
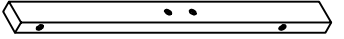
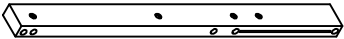

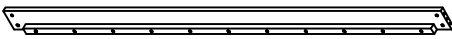
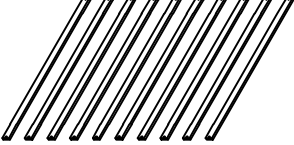

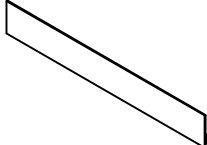
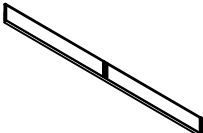
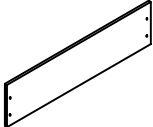
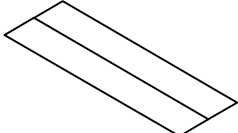
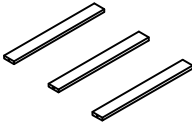

E-Mail: wmcsr@comptree.net

Tel: 626-912-8886 Ext.100

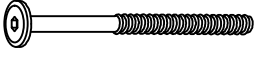
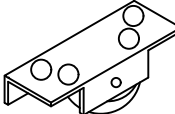
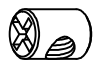





Detail View



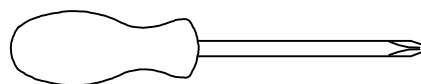
Part List

A 	B 	C 
HB & FB - 2pcs	Side panel - 2pcs	Horizontal bar - 2pcs
D 	E 	F 
Leg left (Front) - 1pc	Leg left (Back) - 1pc	Leg right (Front) - 1pc
G 	H 	I 
Leg right (Back) - 1pc	Guard rail(Back)-2pcs	Side rail(Back & Front)-2pcs
15 	16 	17 
Slats - 1set (10pcs)	Vertical guard rail - 1pc	Drawer front - 1pc
18 	19 	20 
Drawer back - 1pc	Drawer L/R - 2pcs	Drawer bottom - 2pcs
21 	22 	
Bottom guard drawer - 3pcs	Drawer middle - 1pc	

Hardware List

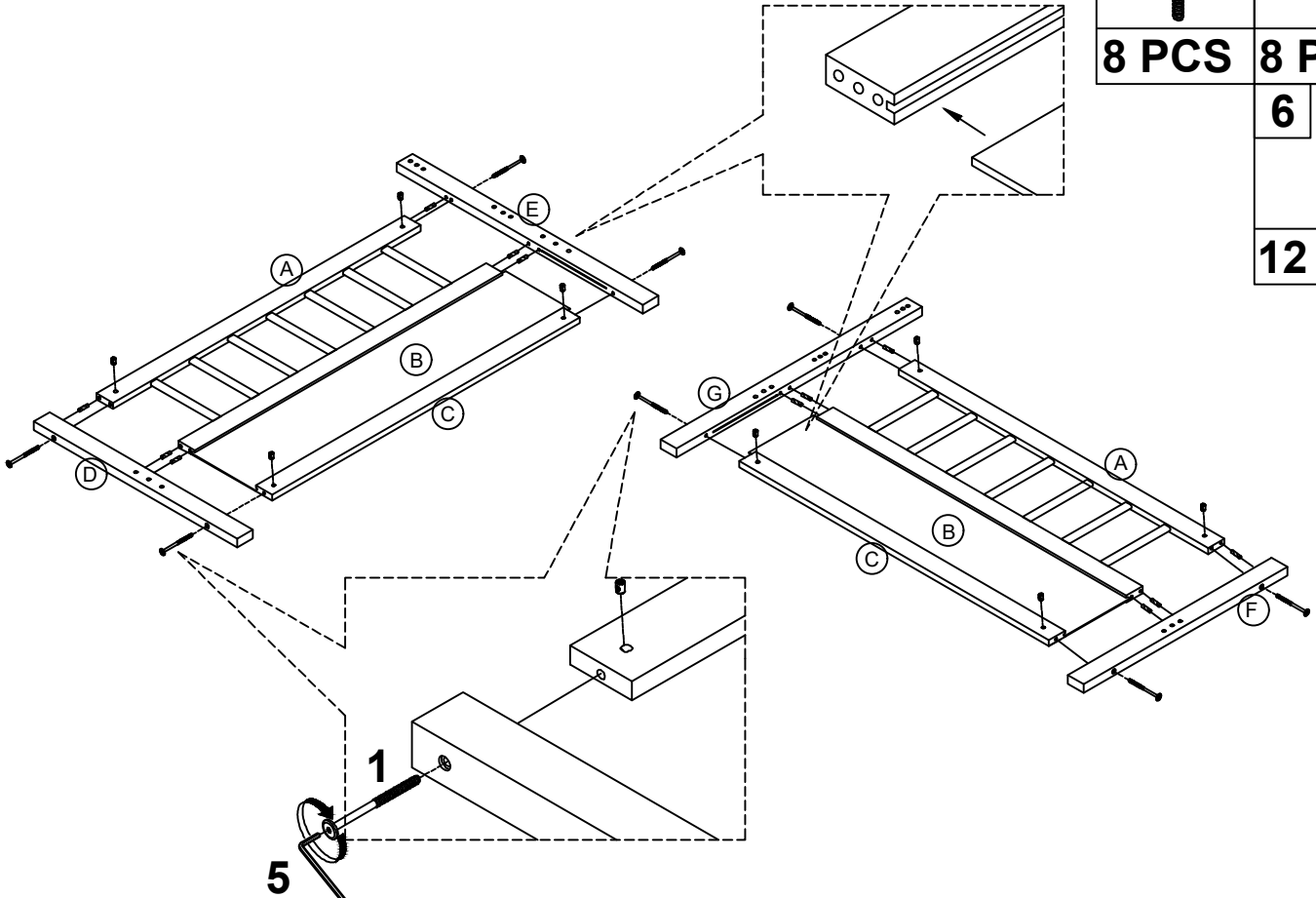
1 	2 	3 
Hex-Head bolts - 20pcs	Caster - 4 pcs	Horizontal-Hole bolts - 20pcs
4 	5 	6 
Screws - 26pcs	Allen key - 2pcs	Wood dowel - 20pcs
7 	8 	
Screws - 11pcs	Wheel screws - 16pcs	

ASSEMBLY TOOLS REQUIRED (NOT INCLUDED)



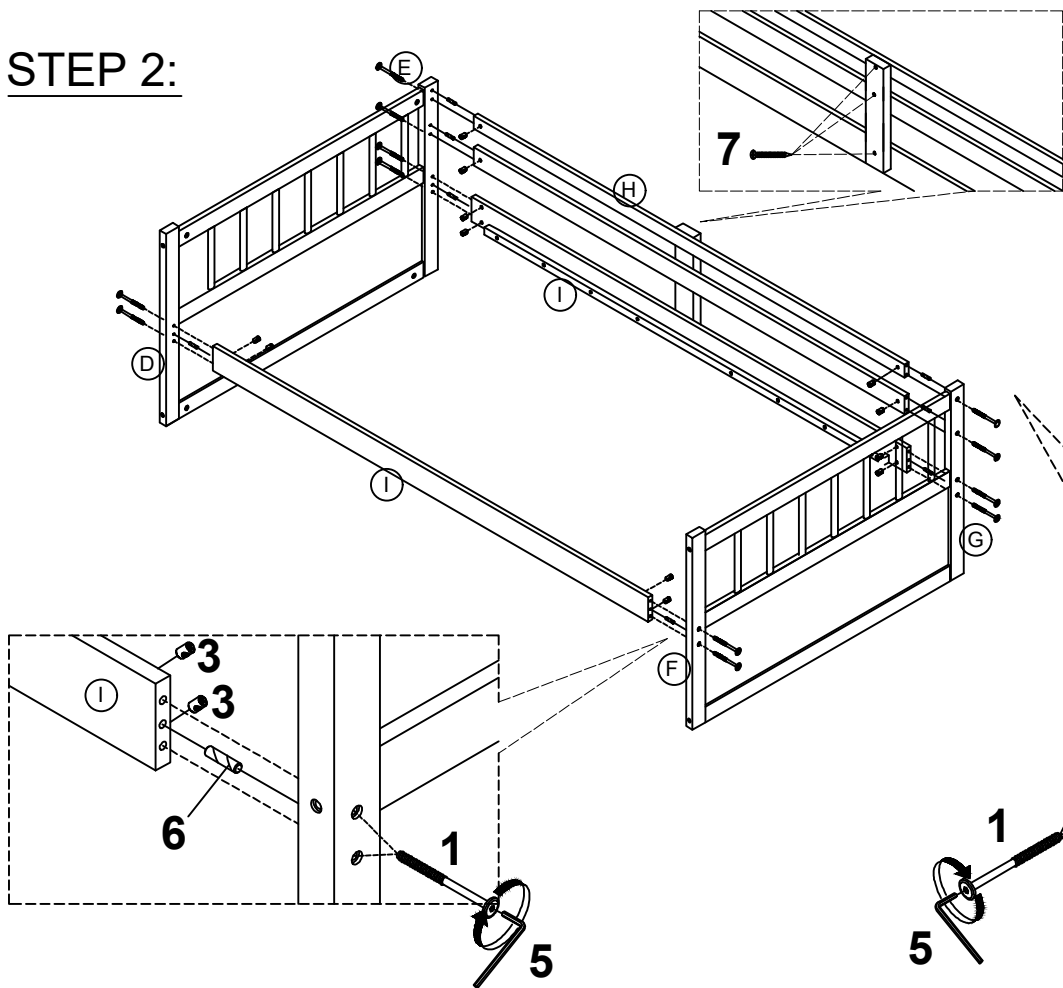
PLEASE BE CAREFUL DO NOT DAMAGE THE HOLE POSITION WHEN YOU USE POWER TOOLS !

STEP 1:



1		3	
8 PCS		8 PCS	
		6	
		12 PCS	

STEP 2:



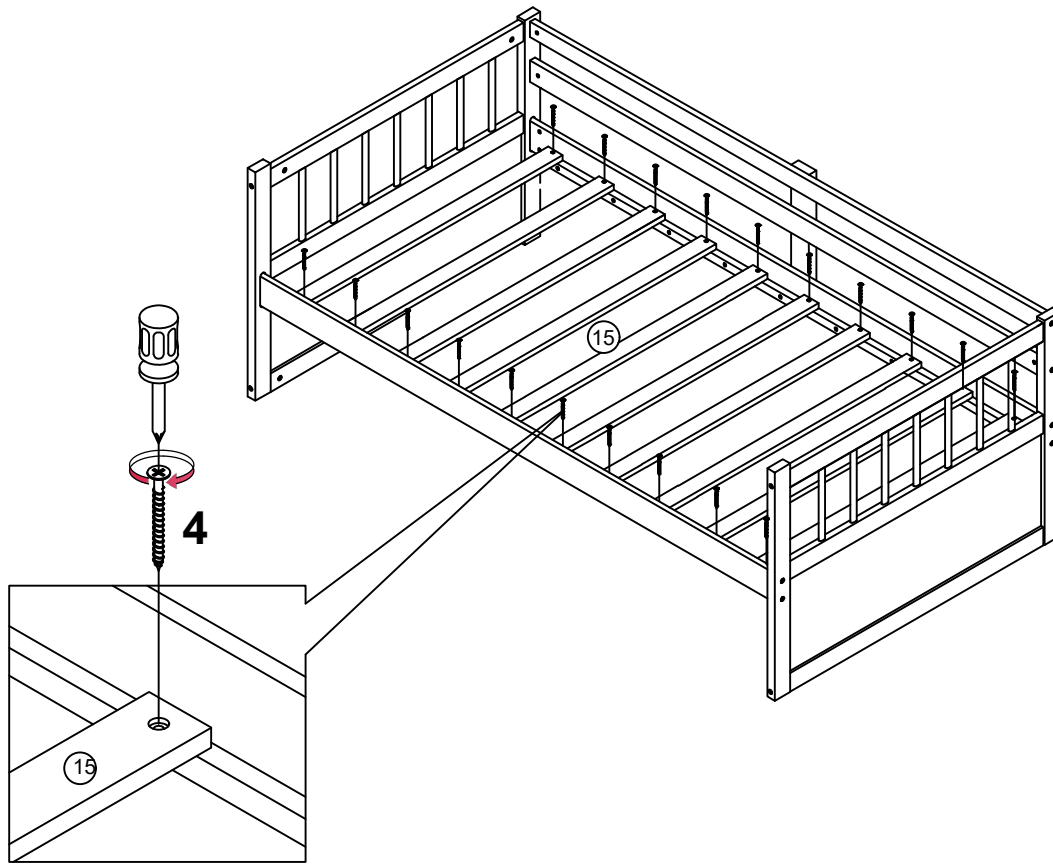
1		3	
12 PCS		12 PCS	
7		6	
3 PCS		8 PCS	

STEP 3:

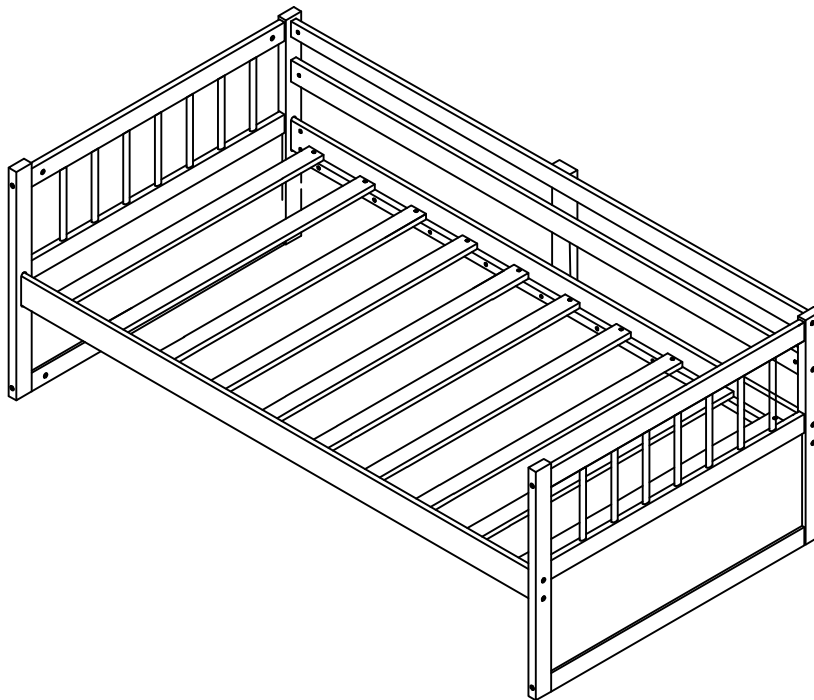
4





20PCS

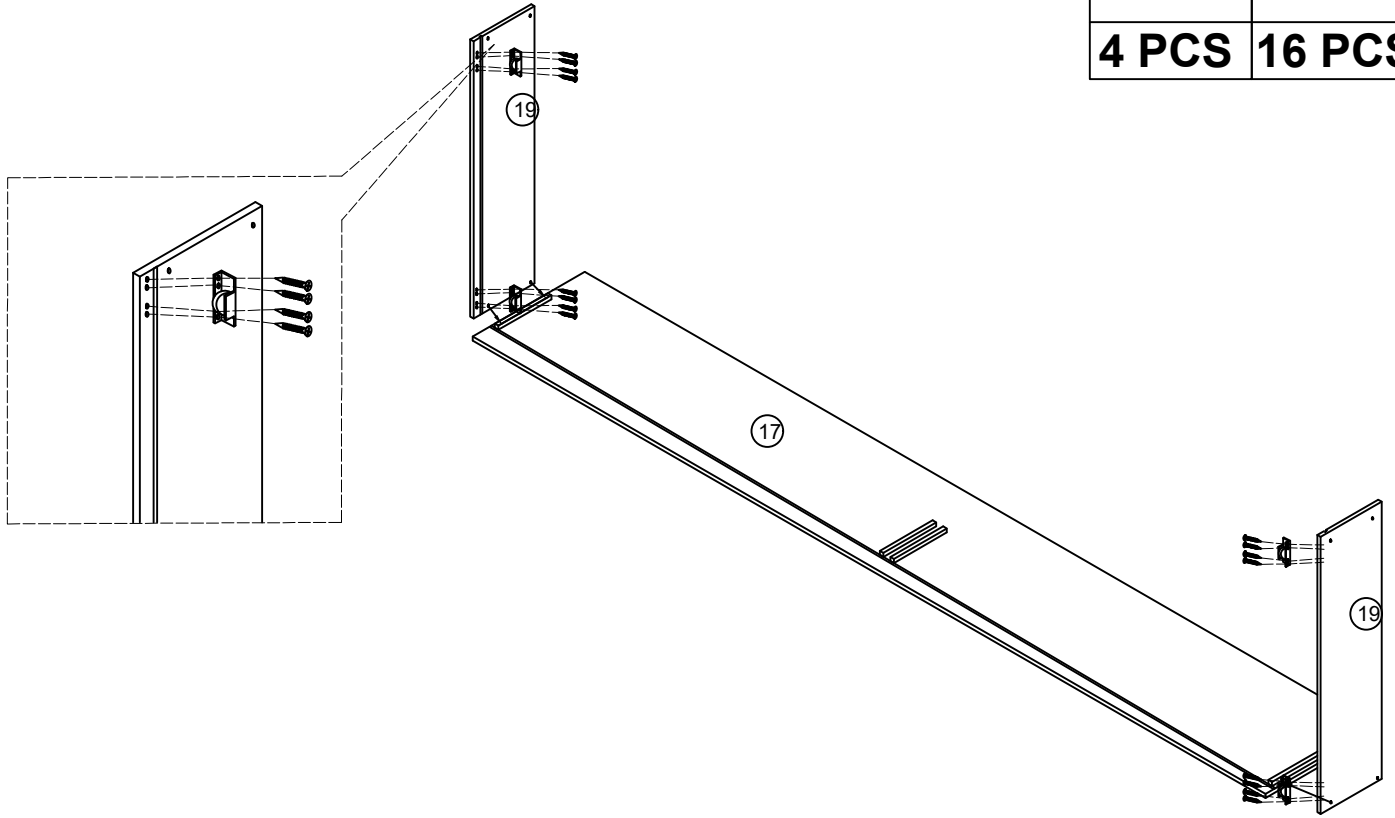


FINISH:

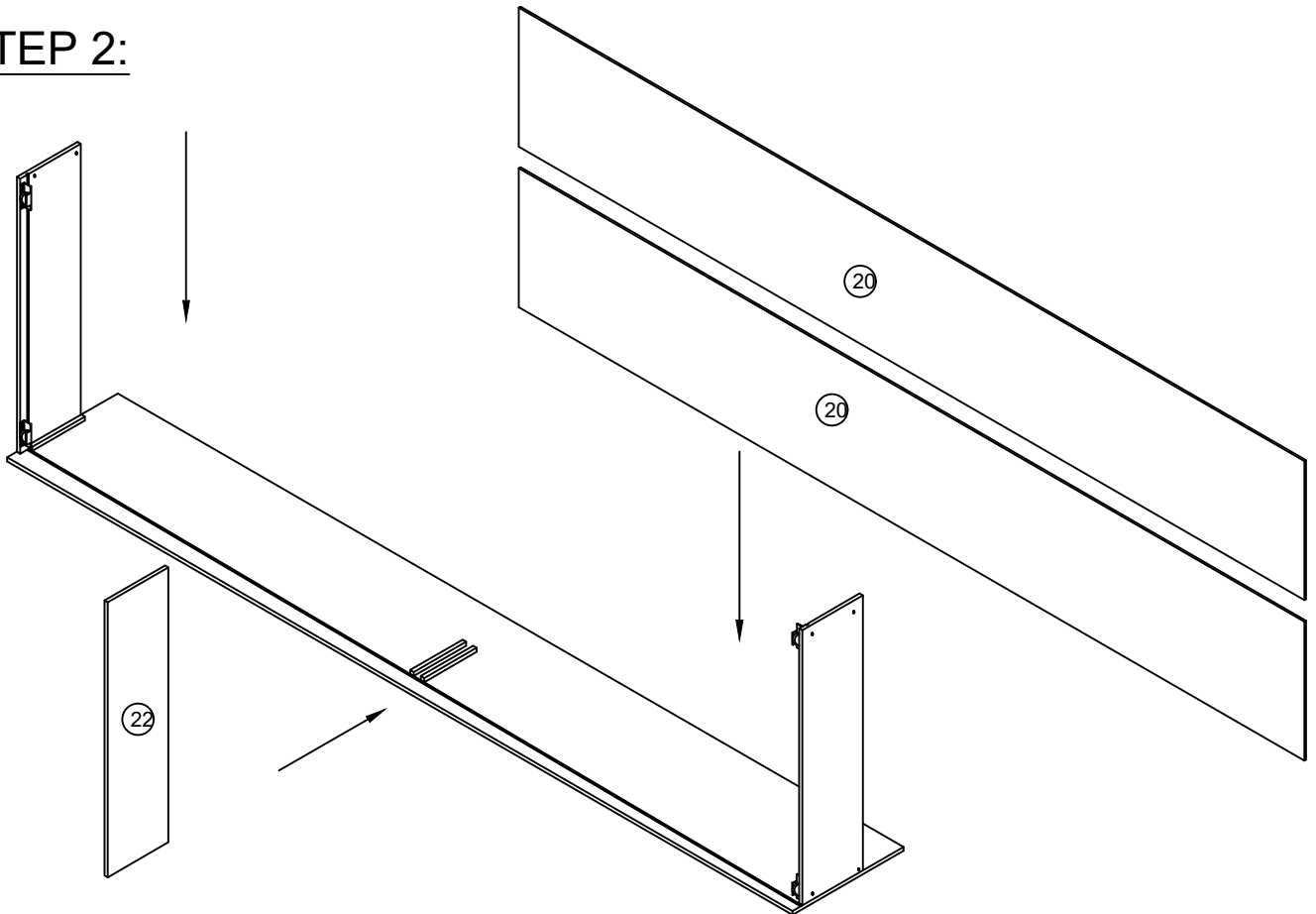


STEP 1:



2		8	
4 PCS		16 PCS	

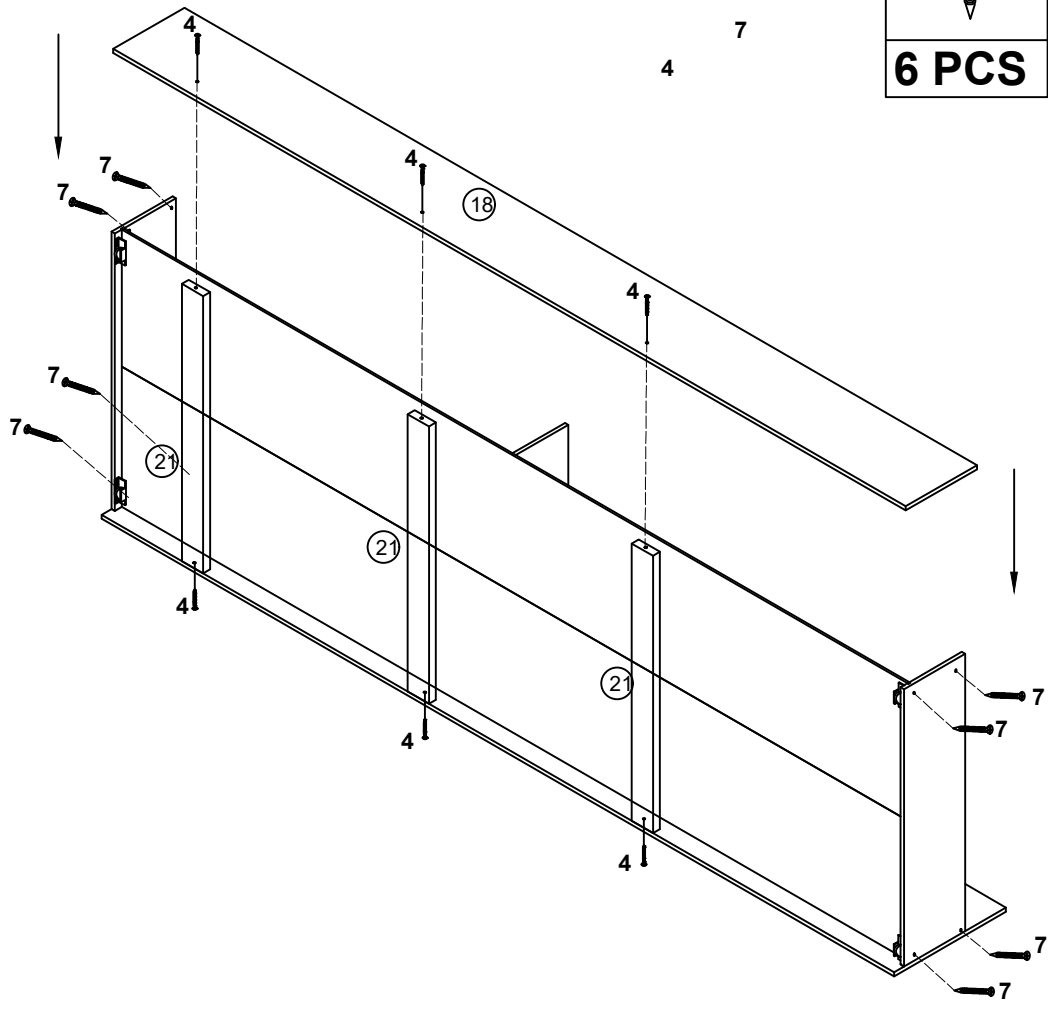


STEP 2:

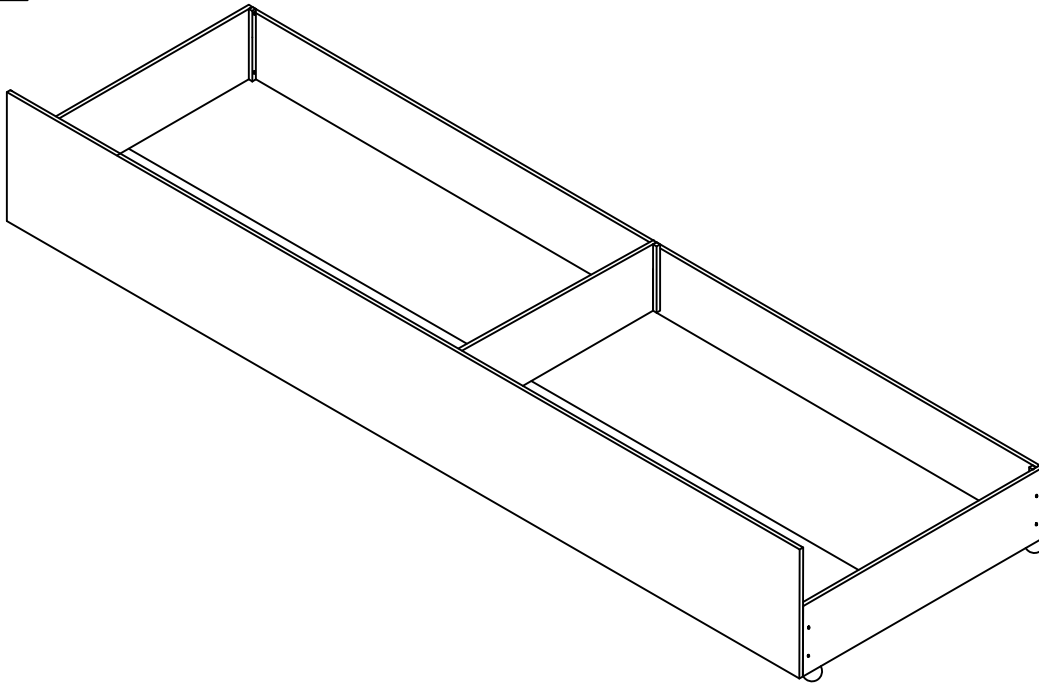


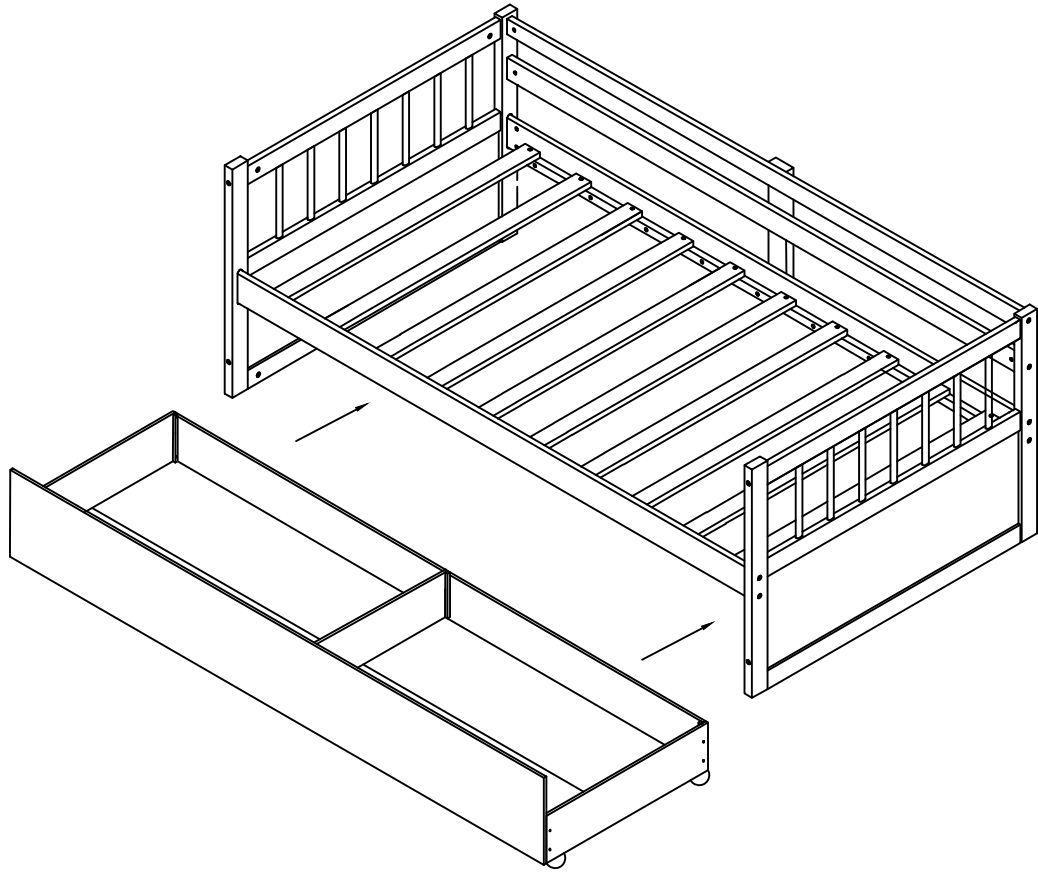
STEP 3:

4		7	
6 PCS		8 PCS	



FINISH:





COMPLETE:

