

**Locarno**

**Pressure Balance Trim**

Finishes : **brushed nickel** Part no. : **04822820**



**Description**

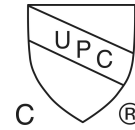
**Features**

- Temperature and on/off control for 1 outlet
- Flow: 5.44 GPM (20.6 L/Min)
- Integrated bypass for use with diverter tub spouts

**Item details**

List Price \$ 343.00

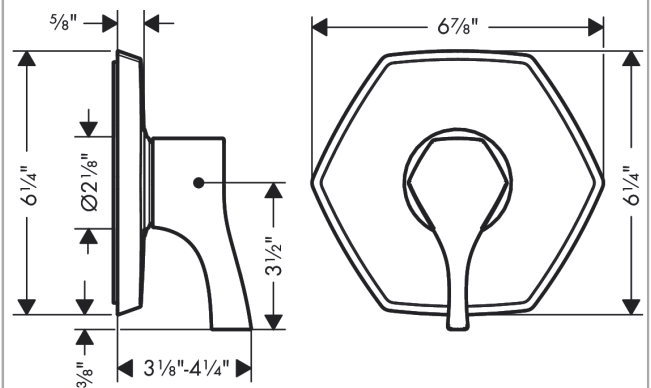
**Compliance**



**Product image**



**Scale drawing**



**Locarno**

**Pressure Balance Trim**

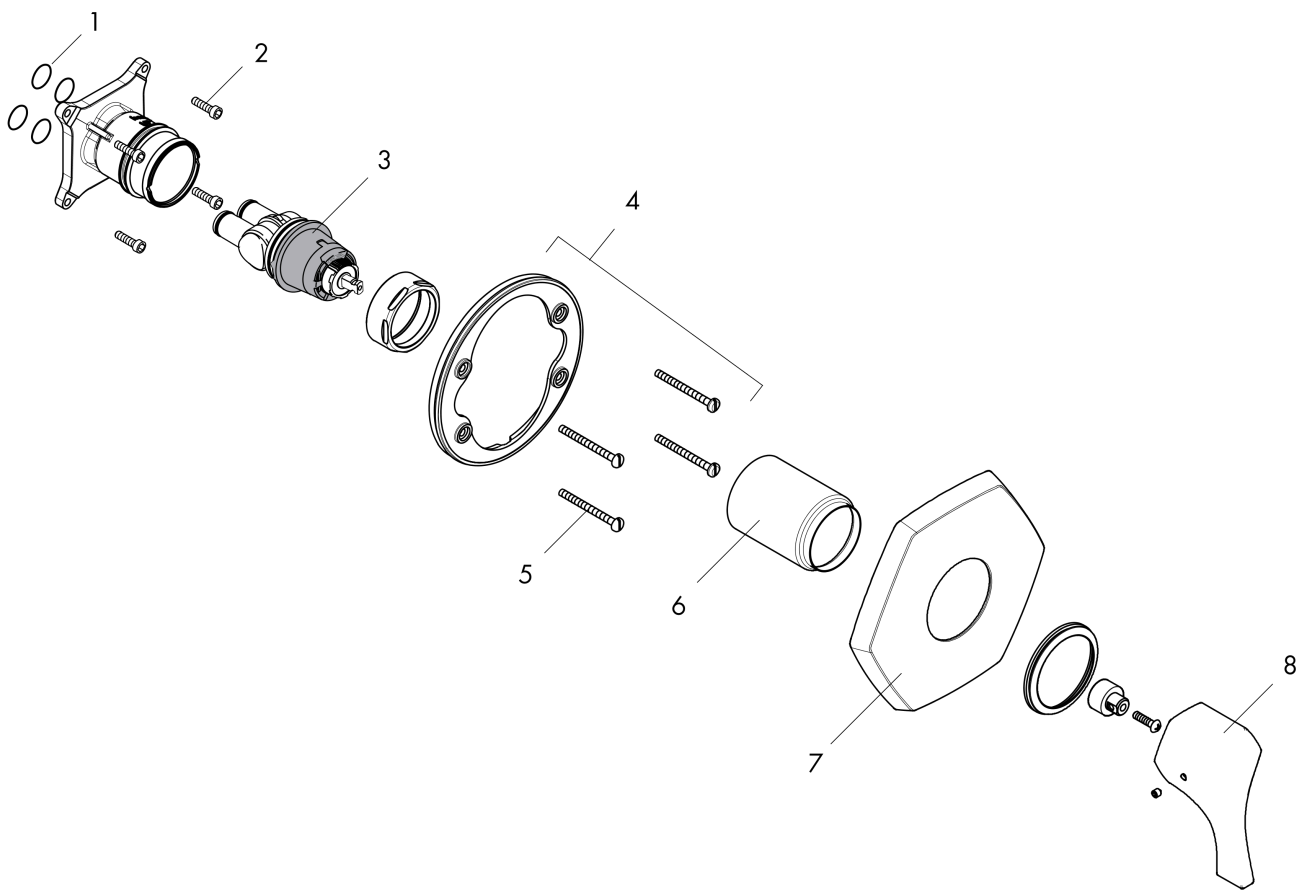
Finishes : **brushed nickel**

Part no. : **04822820**



**Exploded drawing**

Year of production: >03/21



**Locarno**

**Pressure Balance Trim**

Finishes : **brushed nickel** Part no. : **04822820**



**Spare parts list**

Year of production: >03/21

Pos.	Description	Part no.	Price	PU
1	O-ring 16x2	98133000	-	1
2	set of screws	96525000	-	1
3	cartridge, assy	88727000	-	1
4	holder for escutcheon	98793000	-	1
5	set of fixing screws	96454000	-	1
6	sleeve	88765820	-	1
7	escutcheon	93912821	-	1
8	handle	93911821	-	1
a	extension 25 mm	13595000	-	1