
ASSEMBLY INSTRUCTIONS

SHAKER DESK WITH ONE DRAWER

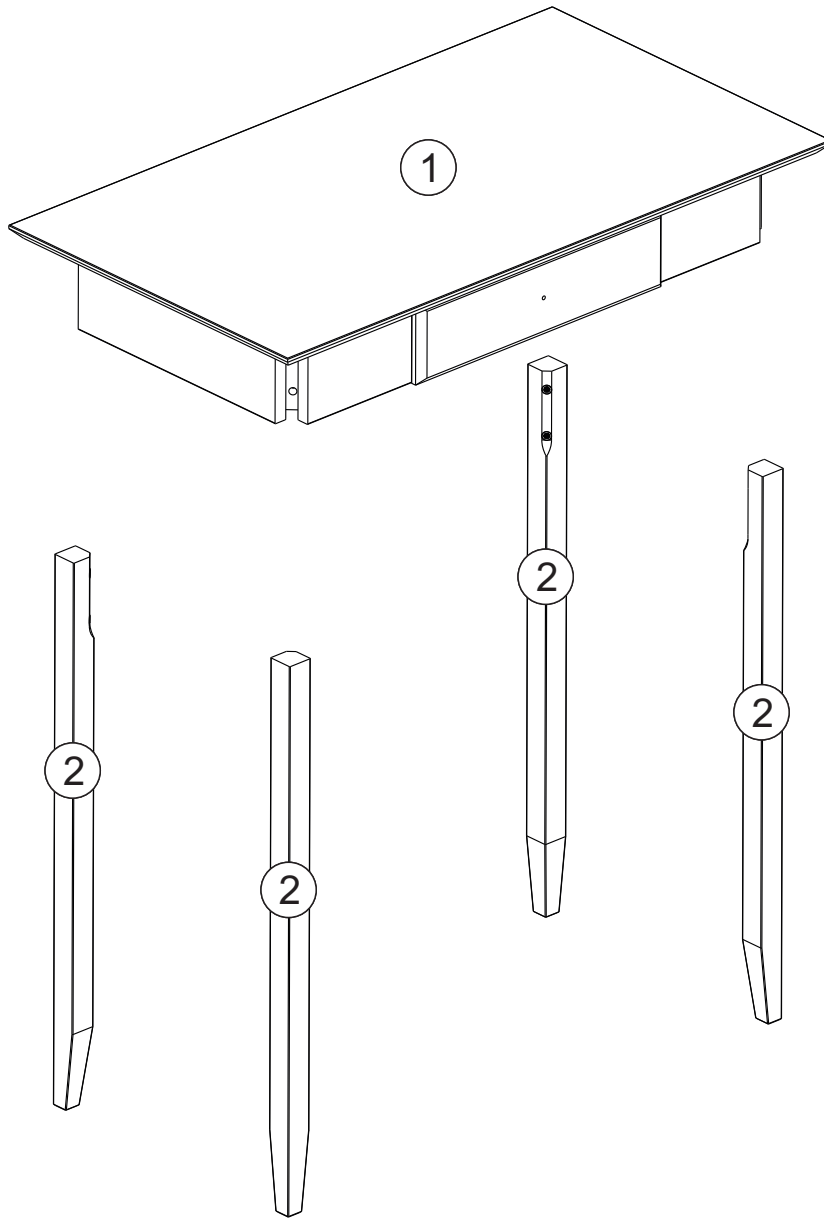



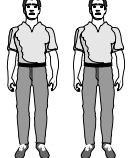
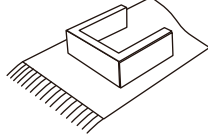
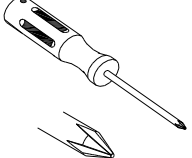
IMPORTANT NOTE:

Place all wooden parts on a clean and smooth surface such as a rug or carpet to avoid parts from being scratched.

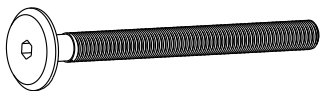
Before you begin, kindly follow the assembly instructions step by step.

PARTS INCLUDED



 <p>00:30 Min</p>		 <p>Clean surface</p>	 <p>Philips head screwdriver required for assembly. (not included)</p>
--	---	--	--

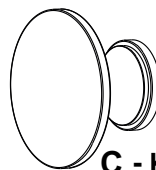
HARDWARE INCLUDED



A - 1/4" x 70 Screw
Qty: 08



B - M4 x 25 Screw
Qty: 01



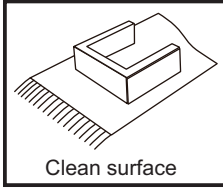
C - KNOB
Qty: 01



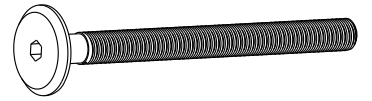
D - Allen Key
Qty: 01

The hardware quantities listed above are required for proper assembly.

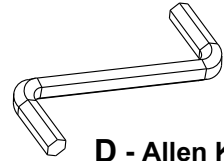
STEP 1



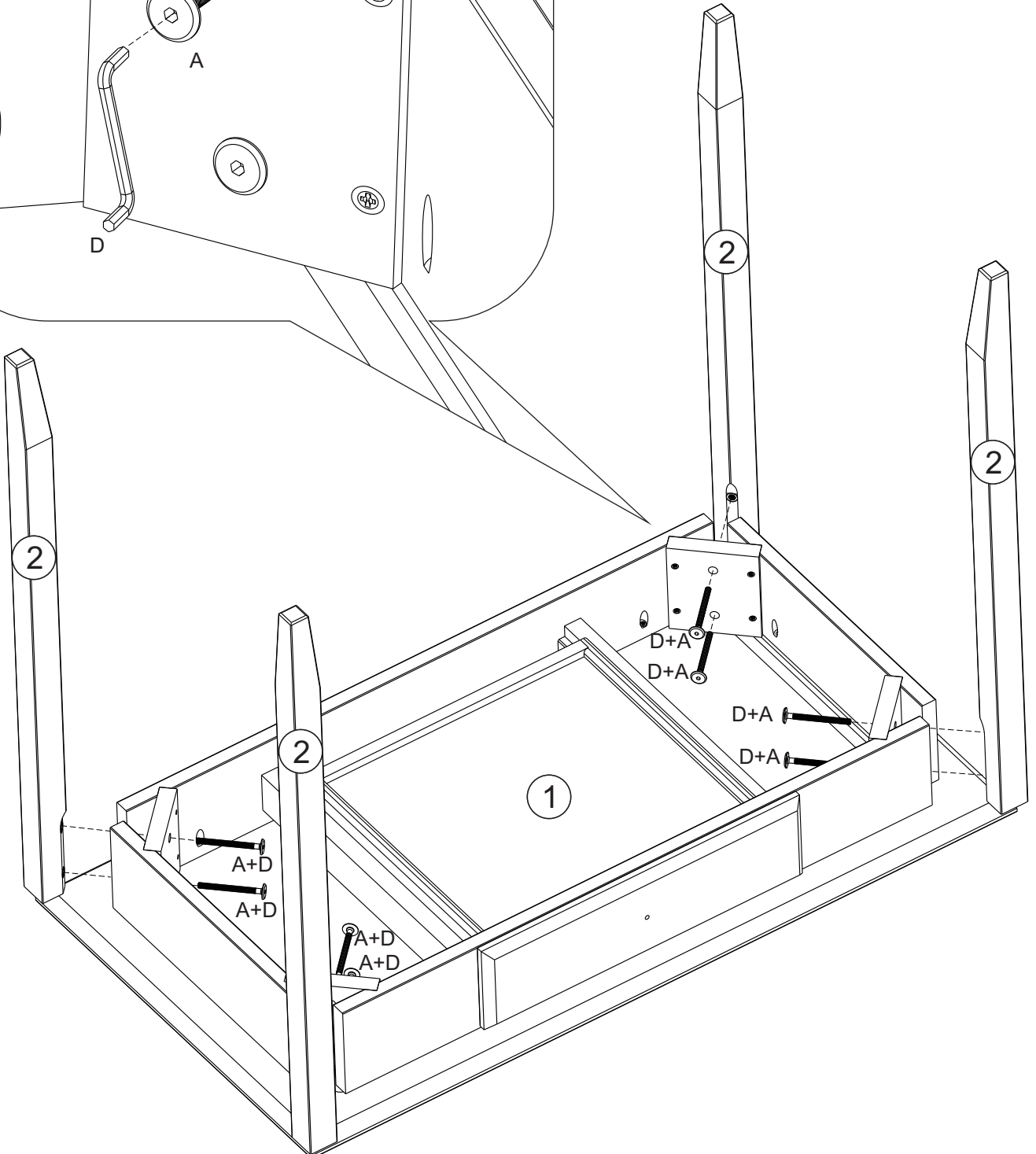
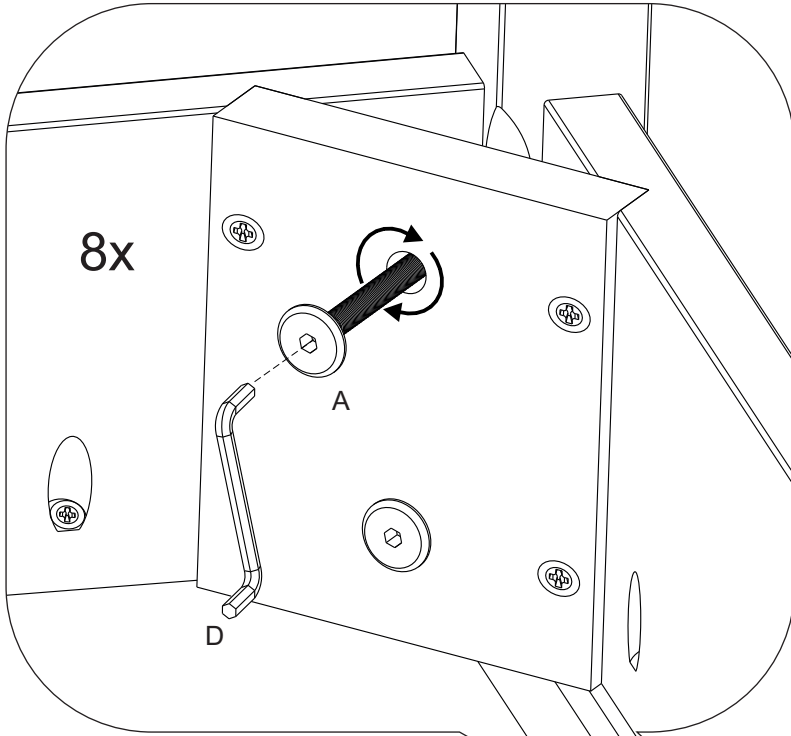
Attach legs (2) to the top (1).



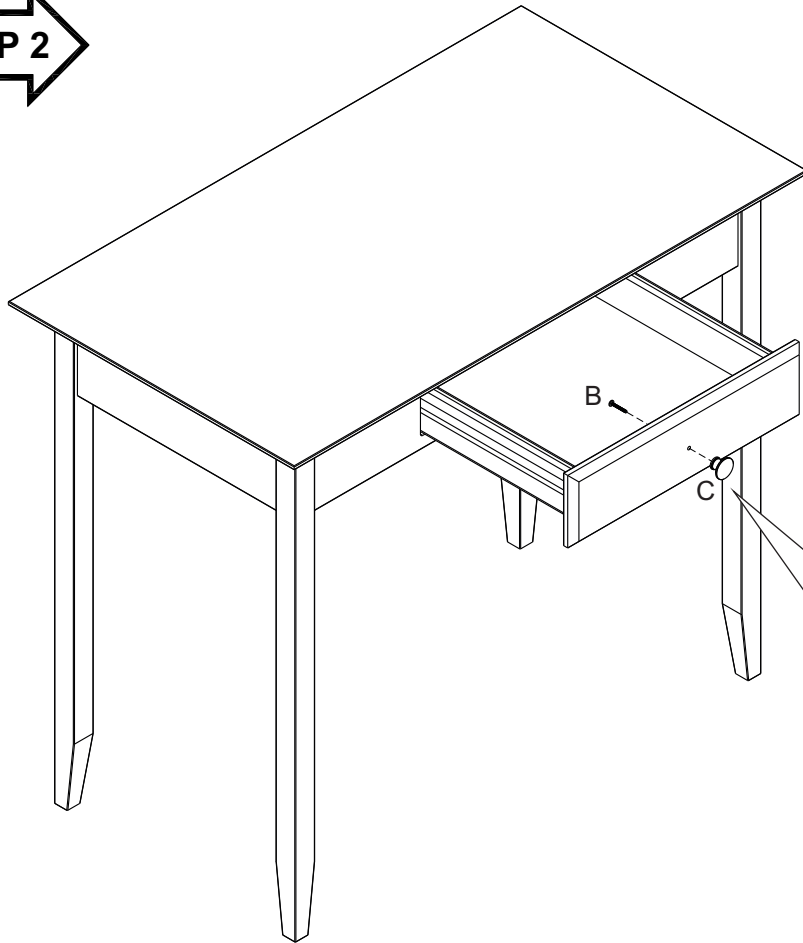
A - 1/4" x 70 Screw
Qty. 08



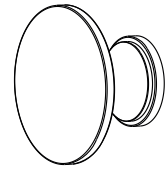
D - Allen Key
Qty. 01



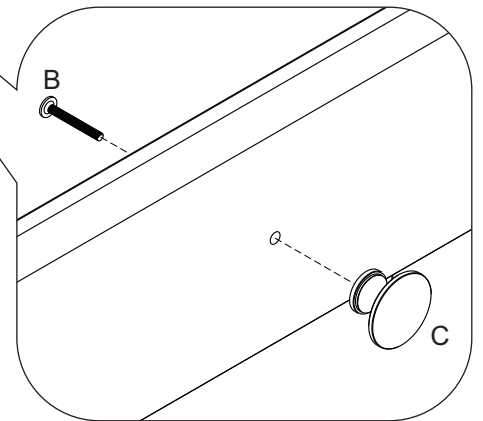
STEP 2



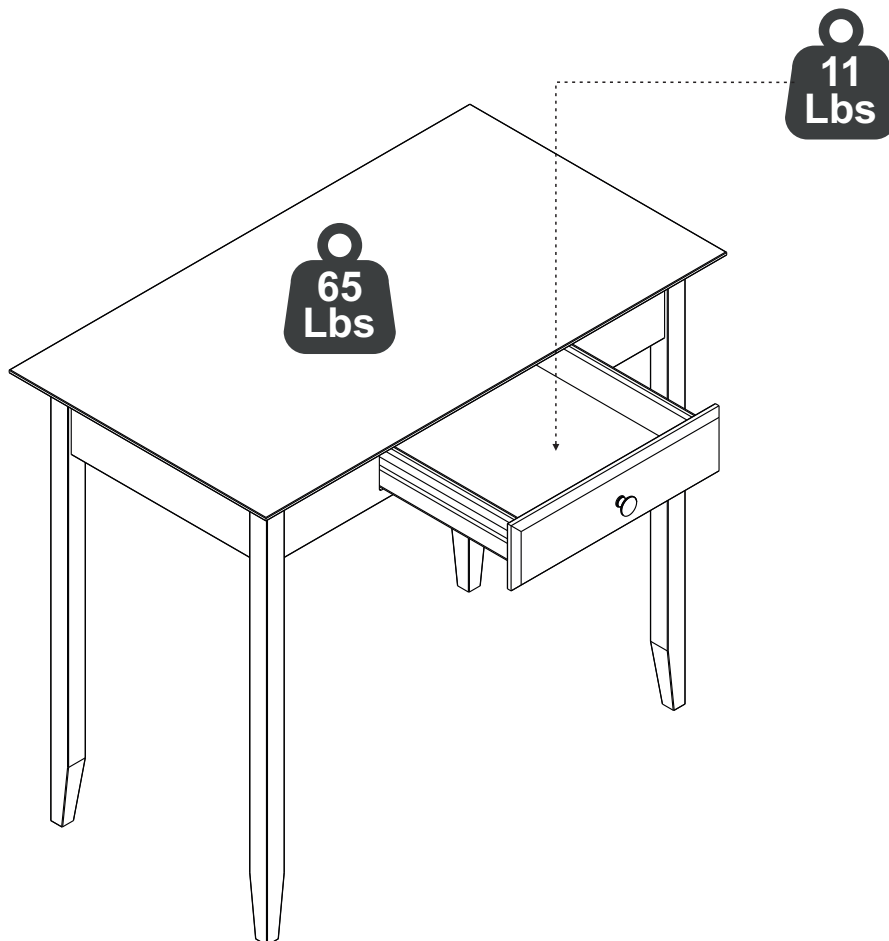
B - M4 x 25 Screw
Qty: 01



C - KNOB
Qty: 01



STEP 3



Final Assembly