






## CARE AND MAINTENANCE

Spot clean using a mild water-free solvent. Only a professional cleaner should undertake a complete overall cleaning.  
The use of steam or water-based cleaners may cause excessive shrinking or staining.

## NOTICE

- \* Please make sure that you have all parts indicated before you begin assembly of this item
- \* This item should be assembled on a soft surface to prevent scratching the finish during assembly
- \* This item may require periodic tightening

### Part List and Hardware List

PIECE	DESCRIPTION	PICTURE	QUANTITY
A	Desk		1X
B	Leg		4X
HW1	Allen Bolt 6 x 1.60 x 16MM		16X
HW2	Flat Washer 16 x 8MM		16X
HW3	Allen Key 4MM		1X



# SAFAVIEH FURNITURE

Item# VAN9006A

Product Dimensions : 35.43"W x 15.75"D x 29.92"H



Weight Capacity: 52.58 LBS

Warning : Do not stand on vanity

Warning : Do not over torque bolts

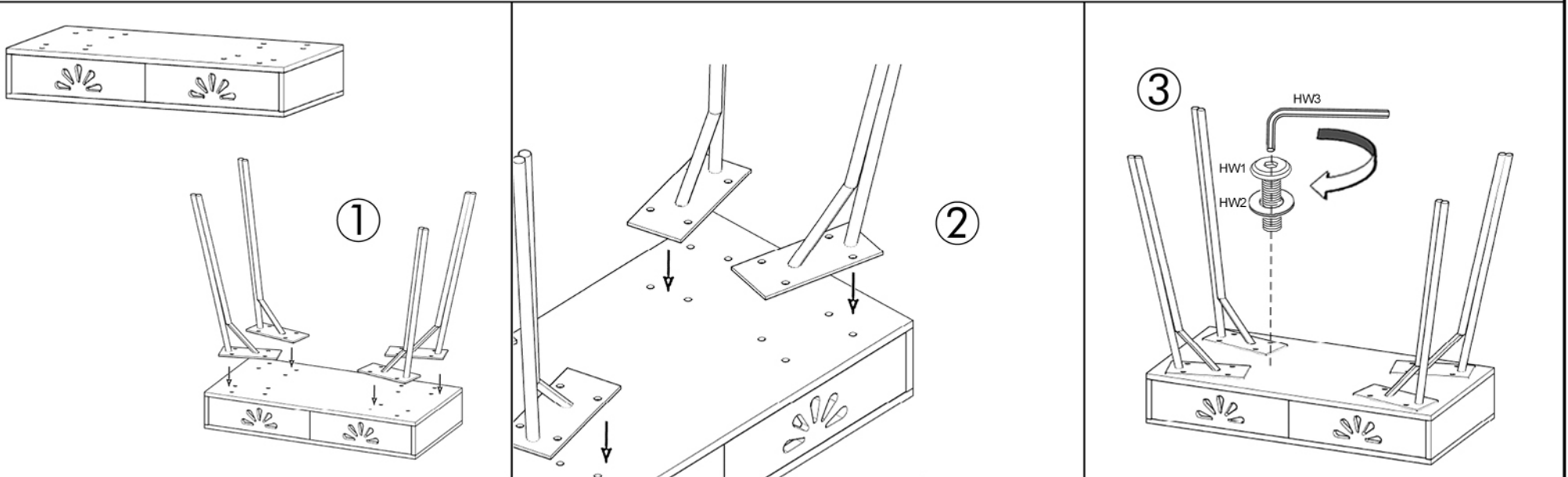
**The legs and hardware are located under the drawer**

## PREPARATION

Before beginning assembly of product, make sure all parts are present. Compare parts with package contents list and hardware contents list.  
If any part is missing or damaged, do not attempt to assemble the product.

Estimated Assembly Time: 15 minutes.

Tools Required for Assembly (included): Allen Key



④



**STEP 1 :** OPEN THE ZIPPER ON THE INSIDE OF THE DRAWER AND TAKE OUT LEGS AND HARDWARES.

**STEP 2 :** PUT THE WASHERS (HW2) ON THE ALLEN BOLT (HW1) IN THE ORDER SHOWN IN THE PICTURE.

**STEP 3 :** INSERT INTO THE HOLE OF BOTTOM PANEL AND TIGHTEN WITH ALLEN KEY (HW3).

**The legs and hardware are located under the drawer**