

## Features

- 43 airjets release thousands of bubbles that surround, support, and massage the body
- Variable-speed blower lets you adjust massage intensity to 18 levels
- Zones of Control™ feature allows you to target massage to back, midsection, or feet
- Lighted keypad control
- Integral apron
- Safeguard® slip-resistant surface provides excellent traction underfoot
- Automatic and manual purge cycles remove residual water from air channels after use
- Coordinates with other products in the Memoirs collection
- Integral lumbar support

## Material

- KOHLER® enameled cast iron

## Hydrotherapy

- BubbleMassage™
- Built-in 300W heater

## Installation

- Left drain
- Alcove
- Integral flange

## Required Products/Accessories

- K-T37391 Rotary-turn bath drain trim
- K-T37392 Rotary-turn bath drain trim

or

- K-37383 Rough-in cable bath drain, PVC, 30" cable with tubing
- K-78438 30" cable bath drain

or

- K-37385 rough-in cable drain, PVC, 45" cable
- K-78439 45" cable bath drain

## Recommended Products/Accessories

- K-1491 Bath/Whirlpool Pillow
- K-1601 Bath/whirlpool footstop, removable
- K-7259 Brass toe tap bath drain
- K-706000-D3 Frameless Sliding Bath Door
- K-706000-L 62" H sliding bath door with 1/4"-thick glass
- K-706004-D3 Frameless Sliding Bath Door
- K-706004-L Frameless Sliding Bath Door
- K-702200-6L 58" H sliding bath door with 1/4"-thick glass
- K-31796 Above-the-floor bath drain kit
- K-31798 Bath drain kit

## Codes/Standards

ASME A112.19.1/CSA B45.2  
 ASME A112.19.7/CSA B45.10  
 ASTM F462  
 UL 1795 *This product has been discontinued.*  
 CSA C22.2 No. 218.2 *continued.*

## KOHLER® Enameled Cast Iron Bath and Shower Base Lifetime Limited Warranty KOHLER® Hydrotherapy Components Five-Year Limited Warranty

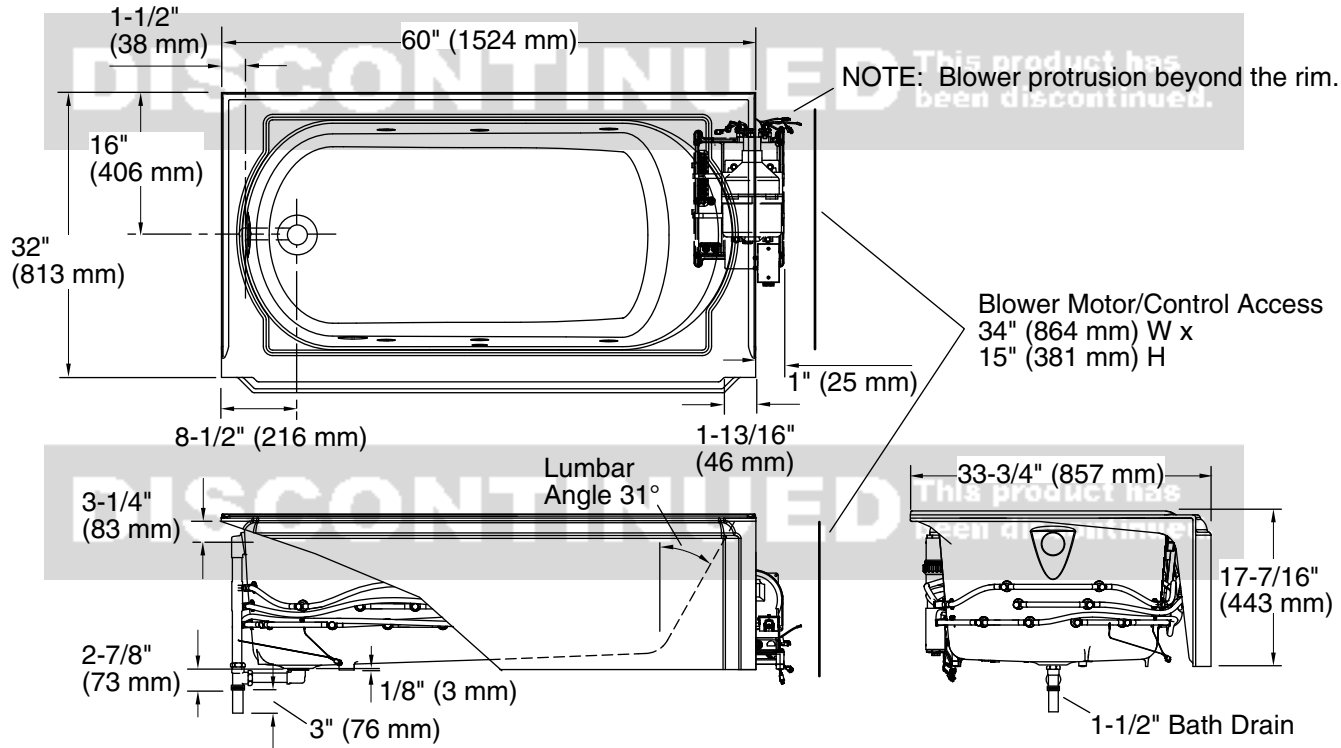
See website for detailed warranty information.

## Available Colors/Finishes

*Color tiles intended for reference only.*

Color	Code	Description
	0	White

No change in measurements if connected with drain illustrated. (K-7161-AF)



## Required Electrical Service

One dedicated circuit required, protected with Class A Ground-Fault Circuit-Interrupter (GFCI). Outside North America, this device may be known as a Residual Current Device (RCD).

Blower: 240 V, 15 A, 50/60 Hz

## Technical Information

All product dimensions are nominal.

Installation: Three-wall alcove  
 Drain location: Left  
 Basin area, bottom: 45" x 23" (1143 mm x 584 mm)  
 Basin area, top: 54" x 25" (1372 mm x 635 mm)  
 Weight: 390 lbs (176.9 kg)  
 Minimum floor load: 61 lbs/ft<sup>2</sup> (297.8 kg/m<sup>2</sup>)  
 Water depth: 11-5/8" (295 mm)  
 Water capacity: 52 gal (196.8 L)  
 Electrical component rating: Blower: 240 V, 5 A, 50/60 Hz  
 Blower speed: Variable

## Notes

Measure your actual product for rough-in details.

Install this product according to the installation instructions.

The hot water supply should be 70% of the capacity of the bath or greater. Installations will vary.

If relocating the blower motor, do not relocate or alter the PVC tee or coiled flexible tubing connected to the blower. Follow the blower relocation instructions exactly. Provide access for servicing the blower.