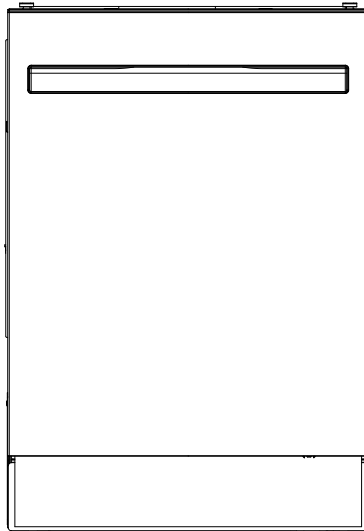




DISHWASHER

COS-DWI240TTRBK



BUILT-IN DISHWASHER

USER MANUAL

IMPORTANT: READ AND SAVE THESE INSTRUCTIONS.
FOR RESIDENTIAL USE ONLY.

INSTALLER: PLEASE LEAVE THIS GUIDE WITH THE HOMEOWNER.

HOMEOWNER: PLEASE KEEP THIS GUIDE FOR FUTURE REFERENCE.

THANK YOU FOR YOUR PURCHASE

Thank you for your purchase. We know that you have many brands and products to choose from and we are honored to know that you have decided to take one of our products into your home and hope that you enjoy it.

COSMO Appliances are designed according to the strictest safety and performance standard for the North American market. We follow the most advanced manufacturing philosophy. Each appliance leaves the factory after thorough quality inspection and testing. Our distributors and our service partners are ready to answer any questions you may have regarding how to install, use and care for your products. We hope that this manual will help you learn to use the product in the safest and most effective manner.

Before using this product, please read through this manual carefully. Keep this user manual in a safe place for future reference. Please ensure that other persons using this product are familiar with these instructions as well.

If you have any questions or concerns, please contact the dealer from whom you purchased the product, or contact our Customer Support at:

1-888-784-3108

Reach us online at:

www.cosmoappliances.com

TABLE OF CONTENTS

Dishwasher Safety	5
Overview	12
Dishwasher Layout.....	12
Exterior	12
Interior.....	13
Operation	16
Control Panel Layout	16
Operating Instructions	17
Interior LED Lights	17
Loading the Dishwasher	18
Using Controls.....	20
Wash Cycles	21
Display & Indicators.....	23
FloorGlow	23
Options	24
Start/Pause	25
Cycle/Option Guide	26
Using the Dishwasher.....	28
Load the Dishwasher.....	29
Adding the Cleaning Agents.....	30
Add Detergent.....	31
Fill Rinse Aid	32
Select a Cycle and Options	33
Start the Dishwasher	34
After the Cycle	34
Tips and Techniques	36
Lower Rack Loading.....	36
Silverware Basket Placement.....	39
Upper Rack Loading	40
Height Adjustable Upper Rack.....	42
Loading the Third/Top Rack	45

Removing the Third/Top Rack 47

Zone Wash 48

Maintenance & Care 49

 Cleaning the Exterior 49

 Cleaning the Interior 50

 Seasonal Maintenance and Storage 50

 Clogged Drain Air Gap or In-Sink Disposal 50

 Cleaning the Filters 52

 Filter Cleaning Schedule 54

 Cleaning Spray Arms 55

 Replacing the Interior LED Lights 58

Troubleshooting 59

 Before Calling for Service 59

 Draining, Indicators and Load Damage 61

 Drying, Spots/Film, Hard Water and Odors 62

 Noise 64

 Leaks and Appearance 65

 Error Codes 66

Limited Warranty 68

DISHWASHER SAFETY

Read All Instructions Before Using the Appliance

Your safety and the safety of others are very important. We have provided many important safety messages in this manual and on your appliance. Always read and obey all safety messages.



This is the safety alert symbol.

This symbol alerts you to potential hazards that can kill or hurt you and others.

All safety messages will follow the safety alert symbol and either the word "WARNING" or "CAUTION." These words mean:




You can be killed or seriously injured if you don't follow instructions.



A potentially hazardous situation which, if not avoided, could result in minor or moderate injury.

All safety messages will tell you what the potential hazard is, tell you how to reduce the chance of injury, and tell you what can happen if the instructions are not followed.

 **WARNING:** To reduce the risk of fire, electric shock, serious injury, or property damage when using this dishwasher, follow these basic safety precautions.

California Proposition 65 Warning

 **WARNING:** Cancer and Reproductive Harm - www.P65Warnings.ca.gov



WARNING

Electrical Shock & Fire Hazard

- This dishwasher must be properly installed and grounded by a qualified technician. Improper grounding or incorrect electrical installation can result in electrical shock, fire, or death.
- Do not use an extension cord, power strip, or adapter to power this appliance.
- Always connect the dishwasher only to a correctly grounded, permanent electrical supply as described in the installation instructions.
- Before performing any maintenance or repairs, disconnect power at the circuit breaker or fuse panel.



WARNING

Tip-Over & Injury Hazard

- Do not operate the dishwasher unless it is fully installed and secured in the cabinet opening.
- Do not place heavy objects, sit, or lean on the open door or racks. The dishwasher can tip forward or the door may collapse, causing serious injury or cuts.
- Use caution when opening the door if the racks are loaded — items may shift or fall.



WARNING

Chemical, Hot Water & Steam Hazard

- Use only detergents, rinse aids, and cleaning products specifically intended for automatic dishwashers.
- Dishwasher detergents are highly alkaline and can cause severe burns or eye damage if swallowed or splashed on skin or eyes. Keep them out of reach of children.
- Water inside the dishwasher can reach very high temperatures. Hot water or steam may be released when the door is opened, especially immediately after a wash cycle. Open the door slowly and stand back to avoid burns or scalds.
- Do not wash items in the dishwasher that are labeled “hand-wash only,” or items not rated dishwasher-safe (e.g. certain plastics, wood, nonstick cookware), unless explicitly approved by the manufacturer.



WARNING

Excessive Weight Hazard

- Use two or more people to move and install the dishwasher. Failure to do so can result in back or other injury.

IMPORTANT SAFETY INSTRUCTIONS

WARNING: When using the dishwasher, follow basic precautions to reduce the risk of fire, electric shock, injury, or property damage, including the following:

- Read this entire manual before operating the dishwasher. Keep it for future reference or for the next owner.
- Use the dishwasher only for its intended purpose: washing household dishware, glassware, cutlery, and cookware that are suitable for use in an automatic dishwasher and marked “dishwasher safe” or equivalent.
- Use only automatic dishwasher detergent and rinse aid that are specifically recommended for use in a dishwasher, and follow the manufacturer’s directions. Store all detergents, rinse aids, and cleaning agents in a cool, dry place, and keep them out of the reach of children.
- Do not use hand dishwashing liquid, bleach, or cleaners containing solvents or abrasives in the dishwasher unless specifically recommended for dishwasher use.
- Do not use the dishwasher until it is fully installed and secured in the cabinet opening. An unsecured dishwasher can tip forward if weight is placed on the open door, causing injury and damage.
- Connect the dishwasher only to a properly grounded electrical supply. Do not remove the ground prong from the plug and do not use an extension cord, power strip, or adapter. Have a qualified electrician check the grounding if you are unsure.
- Do not operate the dishwasher if any access panel, kick plate, or enclosure panel is not properly in place. Operating the appliance with panels removed may expose wiring and moving parts and can result in electric shock or injury.
- Do not tamper with, bypass, or override the control panel, door latch, or any safety interlock. Operate the controls only as described in this manual.
- When loading items to be washed, position sharp points and edges so they will not damage the door gasket or contact moving parts such as the spray arms. Load knives and other sharp utensils with the handles up whenever possible to reduce the risk of cuts when unloading.

READ AND SAVE THESE INSTRUCTIONS

IMPORTANT SAFETY INSTRUCTIONS

- Do not wash plastic items unless they are clearly marked “dishwasher safe” or the equivalent. For plastic items without such a marking, check the manufacturer’s recommendations before washing them in the dishwasher.
- Do not touch the heating element during or immediately after a cycle. The element and surrounding surfaces can be very hot and may cause burns.
- Use care when opening the door during or immediately after a cycle. Hot water and steam may escape when the door is opened. Open the door slowly and stand back to avoid burns or scalding.
- Do not allow children to play on, in, or around the dishwasher. Do not store items that may attract children (food, toys, etc.) on or inside the appliance.
- This appliance may be used by children or by persons with reduced physical, sensory, or mental capabilities only if they have been given supervision or instruction concerning the safe use of the appliance by a person responsible for their safety.
- Keep all detergents, rinse aids, and cleaning agents out of the reach of children. Detergent can cause serious injury if swallowed or if it gets into the eyes. Immediately rinse with plenty of water and seek medical advice if accidental contact occurs.
- Do not sit, stand, or lean on the open door or on the dish racks. Do not use the open door as a step, shelf, or work surface. Doing so can cause the dishwasher to tip forward or the door to deform, resulting in injury or cuts.
- Disconnect the dishwasher from the power supply before performing any user-serviceable maintenance or cleaning that involves reaching under or behind the appliance.
- In a hot-water system that has not been used for two weeks or longer, hydrogen gas may accumulate in the water pipes. Hydrogen gas is explosive. Before using the dishwasher after such a period, open each hot-water faucet and let the water run for several minutes. Do not smoke or use an open flame while the water is running.

READ AND SAVE THESE INSTRUCTIONS

IMPORTANT SAFETY INSTRUCTIONS

- Do not operate the dishwasher if it is damaged, leaking, or not working properly. If you notice unusual noises, smells, smoke, or water on the floor around the appliance, switch it off, disconnect power at the breaker, close the water supply valve, and contact a qualified service technician.
- Do not use the dishwasher if the power cord, plug, water inlet hose, or drain hose is damaged, kinked, or cracked. Damage to these components can lead to electric shock or water damage. Have them replaced only by a qualified service technician.
- Do not store or use combustible or flammable materials—such as gasoline, solvents, aerosol cans, cleaning sprays, or other flammable vapors and liquids—in the vicinity of this or any other appliance. Keep the area under and around the dishwasher free of paper, rags, cardboard, and other combustible materials.
- Do not wash items soiled with ash, sand, wax, lubricating grease, varnish, paints, or other chemicals in the dishwasher. These substances can contaminate and damage the appliance and may not be removable.
- Do not wash dishes or utensils that have been exposed to gasoline, solvents, or other flammable materials. Residues of these substances can create a fire or explosion hazard and may damage the dishwasher.
- Do not use harsh chemicals, abrasive cleaners, or cleaning agents containing chlorine, bleach, or hypochlorite on the interior surfaces of the dishwasher unless specifically recommended by the manufacturer. These products can damage stainless steel, plastics, seals, and hoses and may present health hazards.
- Do not fill the rinse-aid dispenser with anything other than liquid rinse aid intended for household dishwashers. Using detergent, vinegar, or other chemicals in the rinse-aid dispenser can damage internal components and affect performance.
- Use caution when removing the filter system, spray arms, or other internal parts for cleaning. Some debris, such as broken glass, sharp food fragments, or metal pieces, may be present and can cause cuts.
- Do not reach into the dishwasher while it is operating. Wait until the spray arms and other moving parts have completely stopped before reaching into the tub.

READ AND SAVE THESE INSTRUCTIONS

IMPORTANT SAFETY INSTRUCTIONS

- Do not spray water directly onto the control panel, door, or cabinet with a hose, steam cleaner, or pressure washer. Water forced into electrical components can cause electric shock, fire, or product damage.
- If the dishwasher has been submerged in water (for example, during a flood), do not use it. Disconnect the appliance from the power supply and have it inspected and serviced by a qualified technician before use.
- Small removable parts—such as rack clips, filter caps, and spray-arm nozzles—can be a choking hazard for small children or pets if removed from the appliance. Keep such parts out of reach of children and reinstall them properly after cleaning.
- Service, repair, and replacement of components that are not described as user-maintainable in this manual must be performed by a qualified service technician. Improper repair or modification can result in electric shock, fire, leaks, or other hazards and may void the warranty.
- Do not overload racks. Arrange items so that the spray arms can rotate freely and water can reach all surfaces. Incorrect loading can cause poor cleaning performance, noise, and possible breakage.
- When taking an old dishwasher out of service or discarding it, remove the door of the washing compartment so that children cannot climb inside and become trapped.

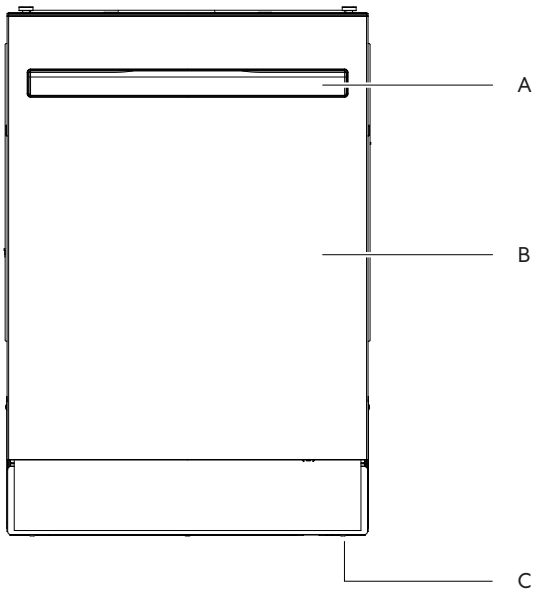
READ AND SAVE THESE INSTRUCTIONS

OVERVIEW

DISHWASHER LAYOUT

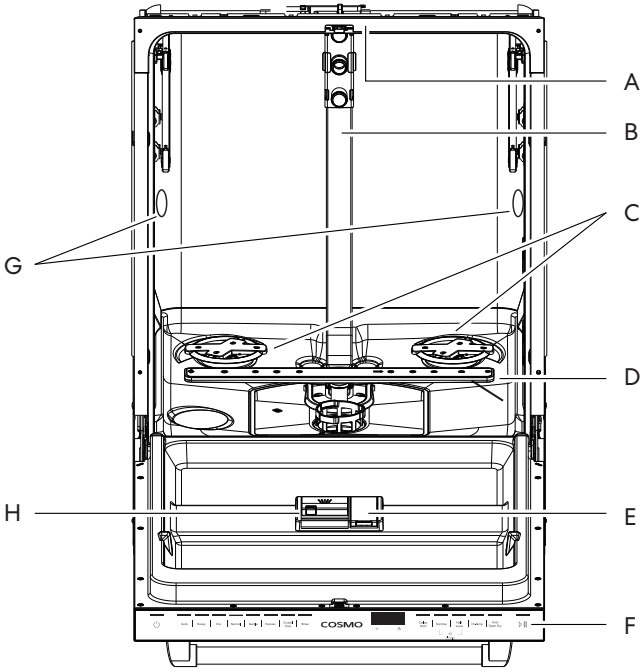
The dishwasher you have purchased may have some or all of the items listed. The locations and appearances of the features shown here may not match those of your model.

EXTERIOR

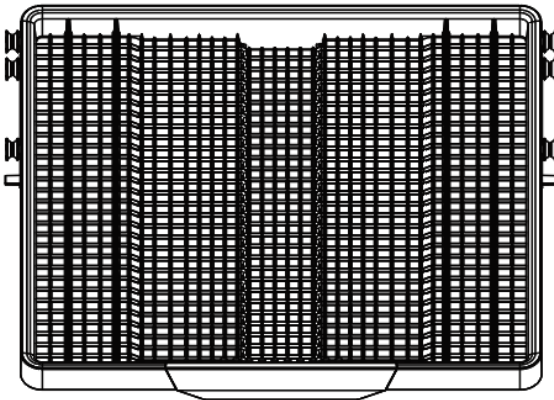


- A.** Recessed Handle
- B.** Door
- C.** FloorGlow

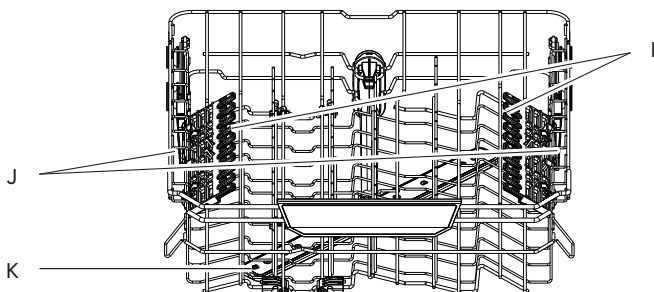
INTERIOR



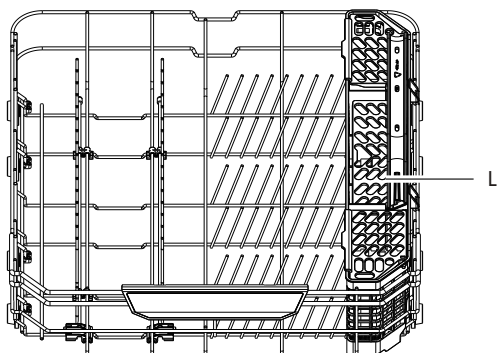
Inner Tub



Third/Top Rack



Upper Rack



Lower Rack

A. Third (Top) Spray Arm

B. Water Inlet Tube

C. Zone Wash

D. Lower Spray Arm

E. Rinse Aid Dispenser

F. Control Panel (Exterior Component)

G. Interior LED Lights

H. Detergent Dispenser

I. Stemware Holders

J. Rack Height Adjuster

K. Upper Spray Arm

L. Silverware Basket

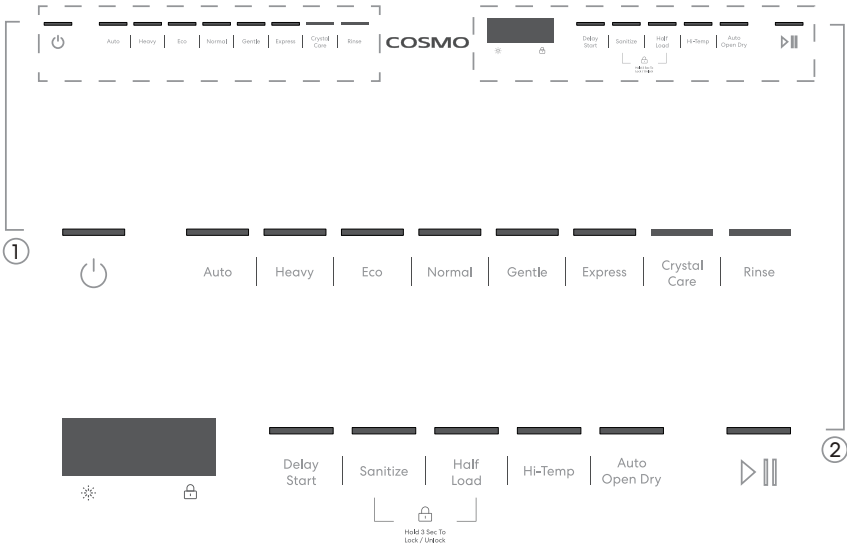
Note:


- Reference the contact information at the end of this manual and contact customer service if any parts are missing.
- To purchase replacement parts or any other accessories, please visit www.cosmoappliances.com or reference the contact information at the end of this manual.
- The images in this guide may be different from the actual components and accessories, which are subject to change by the manufacturer without prior notice for product improvement purposes.


OPERATION

CONTROL PANEL LAYOUT

The appearance of your control panel may vary from the illustration. Not all cycles and options are available on every model.



#	Name	Description
1		Press power to turn the dishwasher on or off.
	Cycles	Select one wash cycle: Auto, Heavy, Eco, Normal, Gentle, Express, Crystal Care, Rinse.
2	Display & Indicators	Shows estimated time remaining or delay time. Indicator icons show status (such as rinse aid reminder and control lock). Cycle time is an estimate and may change based on conditions and selected options.

#	Name	Description
	Options	Use options to customize the selected cycle: Delay Start, Sanitize, Half Load, Hi-Temp, Auto Open Dry.
2		Press to start the selected cycle or resume after a pause. On top-control models, close the door firmly within 4 seconds after pressing Start/Pause or the cycle may not start. If the door is opened during operation, press Start/Pause again after closing the door to resume.

OPERATING INSTRUCTIONS

Note:

- Use automatic dishwasher detergent only.
- Best wash results come from proper loading and not blocking spray arms.



CAUTION

- Do not place pots or pans with plastic handles in the appliance as the handles may deteriorate due to the heat and detergent.
- Water proof or long-lasting lipstick smudges on glasses may not be removed during the wash.
- If you need to open the door during a cycle, open it slowly and stand back hot water or steam may escape. Opening the door pauses the cycle. Close the door firmly, then press Start/Pause to resume.
- Be careful when loading and unloading sharp items. Load sharp knives with the handles up to reduce the risk of personal injury.

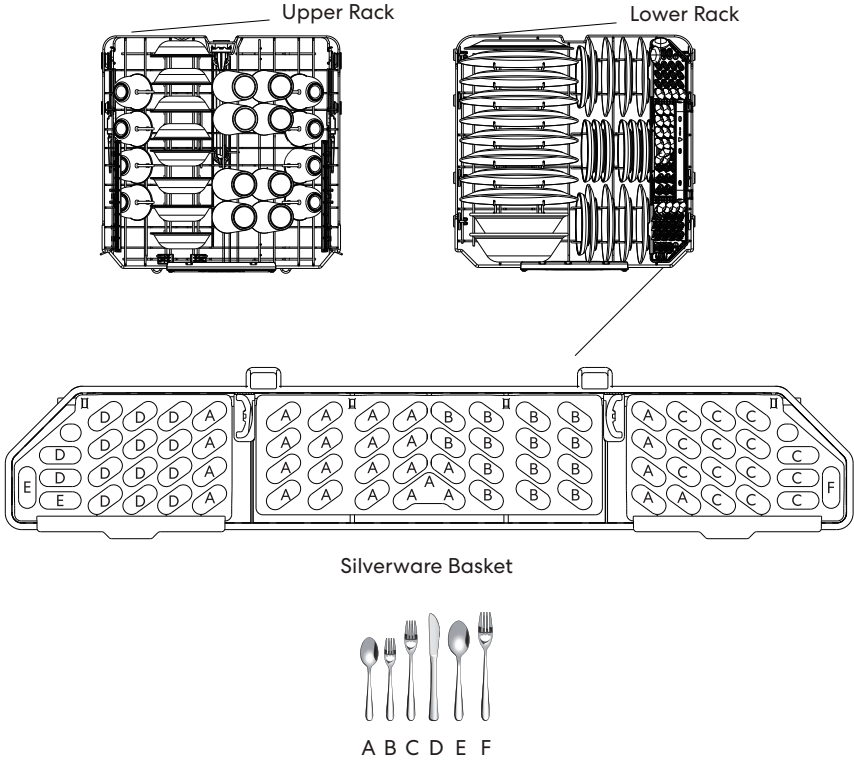
INTERIOR LED LIGHTS

Illuminate the tub when the door is opened for easier loading and unloading. If the door remains open, the lights will turn OFF automatically after about 5 minutes.

LOADING THE DISHWASHER

8-Place Loading Pattern

The dishwasher you have purchased may have some or all of the items listed. The locations and appearances of the features shown here may not match those of your model.

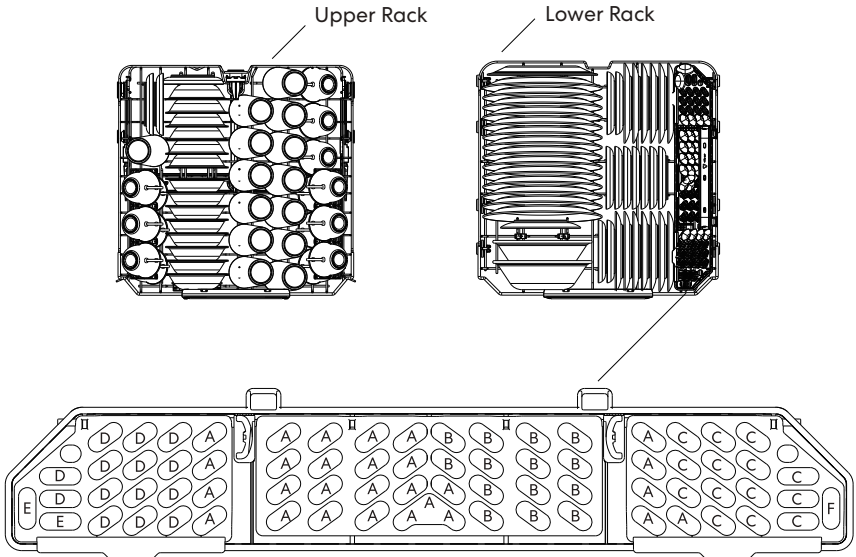


- A.** Tea Spoons
- B.** Salad Forks
- C.** Dinner Forks
- D.** Knives

- E.** Serving Spoons
- F.** Serving Forks

14-Place Loading Pattern

The dishwasher you have purchased may have some or all of the items listed. The locations and appearances of the features shown here may not match those of your model.



Silverware Basket



A B C D E F

A. Tea Spoons

B. Salad Forks

C. Dinner Forks

D. Knives

E. Serving Spoons

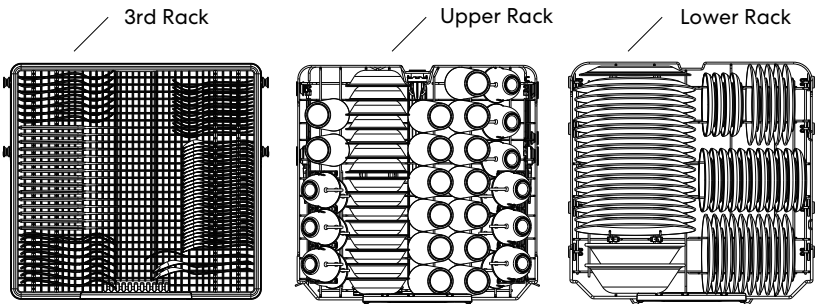
F. Serving Forks

15-Place Loading Pattern

Note:

- Do not place the silverware basket when opting for 15-place setting.

The dishwasher you have purchased may have some or all of the items listed. The locations and appearances of the features shown here may not match those of your model.



USING CONTROLS

Read all instructions before using.



IMPORTANT:

- Connect to the hot water supply only. The water supply temperature is 50°F - 104°F (10°C - 49°C) for better washing performance and shorter cycle time.
- Before starting a cycle, run the hot water at the kitchen faucet closest to the dishwasher until it is hot, then turn it off. This helps the dishwasher fill with hot water at the start of the cycle.
- Follow the instructions for loading the dishwasher to ensure effective cleaning.
- Remove insoluble items such as bones, toothpicks, and pieces of paper while loading the dishwasher.
- Do not load utensils that are not heat-resistant or have decorative metal trim.
- Only load items that are dishwasher-safe.

good results. A water softener is recommended to avoid damage and achieve good results.

- Empty the lower rack first and then the upper rack. This will avoid water dripping from the upper rack onto dishes in the lower rack.

POWER

- Press  for 1 second to turn the dishwasher ON.
- Press and hold  for 3 seconds to turn the dishwasher OFF during operation.

WASH CYCLES

Note:

- A light above a cycle or option turns ON on the control panel to show it is selected/active.
- Adding options (such as Sanitize or Hi-Temp) will usually increase the total cycle time.
- On models with top controls, you must close the door firmly within 4 seconds of pressing Start, or the cycle will not begin.

Auto

- Sensor-based cycle for everyday mixed loads.
- The dishwasher automatically adjusts wash time, temperature, and water use based on how dirty the dishes are.

Heavy

- For cookware, casserole dishes, and heavily soiled plates.
- Uses more intensive wash action and higher temperatures to help remove dried-on or baked-on food.

Eco

- Energy- and water-saving cycle for normally soiled dishes.
- Uses less water and energy by extending the overall wash time.

Normal

- Recommended for a full load of normally soiled everyday dishes.
- Balances good cleaning performance with efficient water and energy use.

Gentle

- For lightly soiled or delicate items such as plastics, lightweight glasses, or dishes with heat-sensitive decorations.
- Uses gentler spray action and lower wash temperatures to help protect delicate items.

Express

Note:

- This wash is not recommended for heavily soiled cookware.

- Shorter cycle for lightly soiled dishes that are needed quickly.
- Provides faster results by using a more intensive wash in a shorter time.

Crystal Care

- Specialized cycle for glassware and stemware.
- Uses controlled spray pressure and lower temperatures to help reduce etching and cloudiness on glass.

Rinse

Note:

- No detergent should be used for this cycle.
- This cycle does not have drying.

- Quick rinse for dishes, glasses, and silverware that will be washed later.
- Helps prevent food from drying on and reduces odors between full loads.


DISPLAY & INDICATORS

Note:

- A light above a cycle or option turns ON on the control panel to show it is selected/active.
- If the door is opened during a running cycle, the selected cycle/option lights may flash to indicate the cycle is paused/suspended and will stop flashing once the door is firmly closed.
- If the dishwasher is not started, the lights may turn OFF after a period of time. Times are estimates and may change based on load, water temp, and options.

- The display shows the selected cycle/option status and the estimated time remaining (or the selected delay time).
- The time shown is an estimate and may change during the cycle as conditions change (soil level, incoming water temperature, etc.).
- When Delay Start is set, the display shows the remaining delay time until the cycle begins.

Rinse Aid Icon

- The Rinse Aid indicator  lights under the display when rinse aid is low. The LED automatically shuts off when the rinse aid is refilled.

Control Lock Icon

Note:

- This feature does not lock the door.


- The Lock indicator  lights under the display when Control Lock is active.

FLOORGLOW

FloorGlow is an indicator light that shines on the floor, under the dishwasher front.

- While the dishwasher is running, the light glows red.
- When an abnormal fault occurs, the light flashes red.
- When the cycle is complete, the light turns off.

OPTIONS

IMPORTANT: If the door is open longer than 4 seconds, even if Delay Start has been selected, press  again to start.

Note:

- Some options are not available with all cycles.
- Adding options may increase cycle time and energy/water use.
- A light above a cycle or option turns ON to show it is selected/active.

Delay Start

- Delays the start of the selected cycle from 30 minutes up to 24 hours.
- Set the cycle and options first, then select the delay time and start the countdown. You can add items during the delay countdown; close the door firmly until it latches so the countdown can continue.
- To cancel Delay Start while it is counting down, press Delay Start again (the delay indicator turns off and the cycle will start/pause).


Sanitize

- Raises the final rinse temperature to sanitize dishware and may increase total cycle time (cycle length varies with incoming water temperature).

Half Load

- Use for smaller loads to reduce water use compared to a full-load wash.

Control Lock (Sanitize + Half Load)

- Locks the control panel to prevent unintended button presses. When a cycle is running press and hold the lock combination shown on the control panel (Sanitize + Half Load) for about 3 seconds to lock/unlock; the lock indicator  will turn on under the display when locked.

Hi-Temp

- Increases wash temperature to help improve cleaning performance on tougher soils and may add time to the cycle.






Auto Open Dry





WARNING

- When Auto Open Dry activates, the door opens slightly at the end of the cycle to improve drying.
 - Hot steam may escape. Keep children and pets away from the door opening.
 - Do not push on the door while it is automatically opening. Allow the door to stop moving before closing it.
 - If you choose to close the door after it opens, close gently; closing the door may reduce drying performance.
-
- Automatically opens the door slightly about 2.36" (60 mm) or 6° angle from inside, near the end of the cycle to vent hot air and improve drying performance.
 - When the door opens at the end of the cycle, the Interior LED Lights may turn ON. If the door remains open, the lights will turn OFF automatically after about 5 minutes.

START/PAUSE

- Press  to start the selected cycle, you'll hear a beep.
- Close the door firmly within 4 seconds after pressing  or the cycle will not start (the  light will flash).
- Press  to resume operation after the door has been opened or after a power interruption (the  indicator may flash until the door is closed and Start/Pause is pressed).

- To pause the cycle, press  or open the door slowly. The dishwasher will stop running while the door is open. Use caution—hot water or steam may escape.
- To continue the cycle, close the door firmly, then press  again to resume.
- If you hear periodic beeping during a cycle, the door may be unlatched—close the door fully to resume operation.

Note:

- After a power outage, the dishwasher will resume the cycle automatically when power is restored.

CYCLE/OPTION GUIDE

Note:

- Cycle times and water use are approximate. Actual results vary with incoming water temperature, soil level, load size, and selected options.
- Delay Start delays the start of a selected cycle. Select a cycle and options, choose the delay time, then press Start to begin the countdown.

Cycle (Water + Time)

Cycle	Soil level	Water usage	Time (Auto Open Dry ON)	Time (Auto Open Dry OFF)
Auto	All levels (sensor)	2.6–4.8 gal (9.9–18.0 L)	104–164 min	121–181 min
Heavy	Heavy	4.8–5.7 gal (18.0–21.6 L)	164–174 min	181–191 min
Eco	Normal	3.0 gal (11.4 L)	148–161 min	165–178 min
Normal	All levels (varies)	2.4–5.3 gal (9.0–20.0 L)	94–156 min	111–173 min
Gentle	Light	3.2–3.70 gal (12.0–14.0 L)	116–130 min	133–147 min

Cycle	Soil level	Water usage	Time (Auto Open Dry ON)	Time (Auto Open Dry OFF)
Express	Light	2.8 gal (10.5 L)	60 min	75 min
Crystal Care	Light	2.8 gal (10.5 L)	—	40 min
Rinse	—	0.9 gal (3.5 L)	—	20 min

Legend:

— = not available

Options Availability

Option	Sanitize	Half Load	Hi-Temp	Auto Open Dry	Delay Start
Auto	✓	✓	✓	✓	✓
Heavy	✓	✓	✓	✓	✓
Eco	✓	—	✓	✓	✓
Normal	✓	✓	✓	✓	✓
Gentle	✓	✓	✓	✓	✓
Express	—	—	—	✓	✓
Crystal Care	—	—	—	—	✓
Rinse	—	—	—	—	✓

Legend:

— = not available

✓ = available

USING THE DISHWASHER

Note:

- The dispenser holds 5 oz (150 mL) of Rinse Aid. Under most conditions this will last 1 to 3 months.
- Do not overfill the rinse aid dispenser
- Wipe off any spilled rinse aid around the dispenser.
- Rinse aid indicator reads correctly when the door is completely open.

BEFORE YOU START

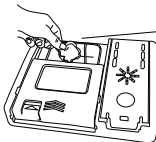
- Scrape leftover food into the trash or disposer.



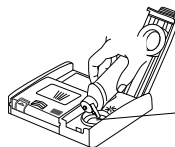
- Load dishes so that the spray from the wash arms can reach every surface.



- Add dishwasher detergent and add rinse aid as needed for better drying.



Detergent Dispenser



Rinse Aid Dispenser

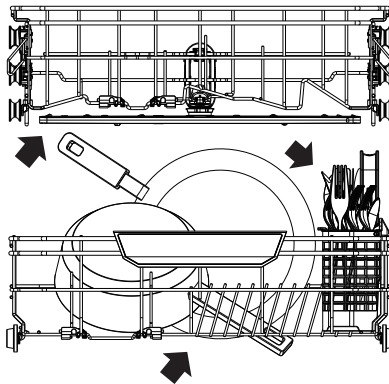
LOAD THE DISHWASHER



CAUTION

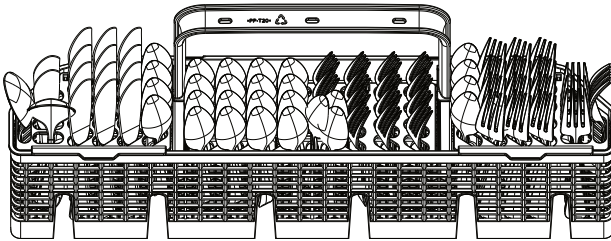
- Do not place pots or pans with plastic handles in the appliance as the handles may deteriorate due to the heat and detergent.
- Water proof or long-lasting lipstick smudges on glasses may not be removed during the wash.
- Avoid opening the door immediately after a cycle ends—hot steam may escape.
- Be careful when loading and unloading sharp items. Load sharp knives with the handles up to reduce the risk of personal injury.

1. Load items so water can reach every surface—avoid overcrowding and nesting (bowls/plates stacked tightly). Check that nothing blocks the spray arms.



2. Load heavily soiled items facing down and inward toward the spray.
3. Place plastics, lightweight items, and smaller glasses in the Upper Rack (wash only items marked “dishwasher safe”).

4. Arrange dishes so they do not touch each other to reduce clattering and improve cleaning.
5. Ensure lightweight items are secured so they don't flip over during washing.
6. Silverware Basket:
 - Mix items to prevent nesting.
 - Load knives down and alternate spoons for best cleaning results.
 - Use the cover slots (if equipped) to keep items separated for optimum wash.



ADDING THE CLEANING AGENTS



WARNING

- Dishwasher detergent and rinse aid contain chemical components, like all other household detergent. So, they must be kept out of the reach of children.



CAUTION

- Use only detergent intended for dishwashers. Incorrect detergent may cause the dishwasher to fill with suds during operation. Excess suds may reduce wash performance and may cause the dishwasher to leak.
- To avoid damaging the dispenser, do not pull up on the dispenser to close the dishwasher door.

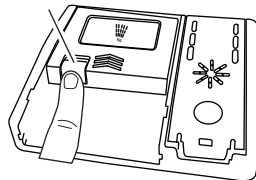
Add Detergent

Note:

- Use automatic dishwasher detergent only.
- Do not use hand-washing dish soap.
- The dishwasher compartment can hold up to 2 tablespoons (30 mL) of dishwasher detergent if filled completely.
- Many pre-measured detergent tablets are approximately 6 g in weight and are designed to fit the detergent compartment.
- The amount of detergent needed depends on the cycle, load size, and soil level of dishes.
- Put detergent into the detergent compartment before starting any cycle, except the Rinse cycle.

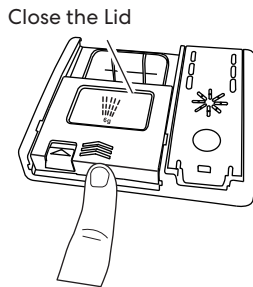
1. Open the detergent dispenser lid on the inside of the dishwasher door.

Push to Open the Lid



2. Place the recommended amount of automatic dishwasher detergent into the main wash compartment.

- If using detergent tablets or packs, place one tablet or pack into the main compartment.
 - If using powder or liquid, add the amount recommended by the detergent manufacturer.
3. Push to close the detergent dispenser lid until it clicks shut.



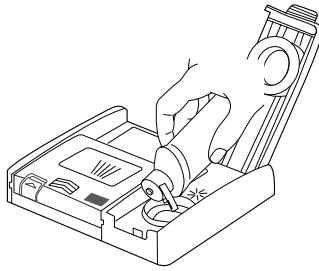
4. Wipe up any spilled detergent inside the door area before closing the dishwasher.

Fill Rinse Aid

Note:

- The dispenser holds 5 oz (150 mL) of Rinse Aid. Under most conditions this will last 1 to 3 months.
- Do not overfill the rinse aid dispenser
- Wipe off any spilled rinse aid around the dispenser.


1. Open the rinse aid dispenser lid by gently pressing on the center of the lid and lifting it up.




2. Pour liquid rinse aid into the rinse aid dispenser until it reaches the full line or the indicator shows "full." Do not overfill.
3. Wipe up any spilled rinse aid around the dispenser area before closing the lid.
4. Close the rinse aid dispenser lid until it snaps into place.

Refilling The Rinse Aid



How often the dispenser needs to be refilled depends on how often dishes are washed and the rinse aid setting used. Under most conditions this will last 1 to 3 months.

- The Rinse Aid icon  flashes when more rinse aid is needed.

SELECT A CYCLE AND OPTIONS



1. Press  for 1 second to turn the dishwasher ON.
2. Select the desired Wash Cycle.
3. Select any desired Options (if available for the chosen cycle).
4. If you set Delay Start, confirm the delay time shown on the display.

START THE DISHWASHER

1. Press  to start the selected cycle.
2. Close the door firmly so it latches and the cycle can begin.
3. If the door is opened during a cycle (or power is interrupted), the Start indicator may flash and the cycle will not resume until the door is closed and  is pressed again.
4. If Delay Start is set and the door remains open longer than 4 seconds, the Start light may flash until you press Start again then close the door to begin.

DURING OPERATION (ADDING DISHES/PAUSING)

To add a dish after the cycle is started:

1. Press  stop the cycle and open the door slightly and wait for any spraying to stop before opening fully.
2. Check whether the detergent dispenser cover is still closed:
 - If it is open, the wash has already started and adding a dish is not recommended.
 - If it is still closed, you may add dishes and make sure not to block the spray arms.
3. Close the door and press  to resume the cycle.



AFTER THE CYCLE (UNLOAD DISHES)

1. When the cycle ends, the dishwasher will beep 3 times then the display and indicator will automatically turn off.




2. Open the door fully after the cycle ends—hot steam may escape.
3. Allow dishes to cool for a few minutes before handling if they are hot.
4. Unload the bottom rack first, then the top rack—this helps prevent water from the top rack dripping onto dishes below.
5. If your model uses Auto Open Dry, the door may open automatically near the end of the cycle to improve drying—use caution around hot steam when unloading.

CANCEL OR CHANGE A CYCLE DURING WASH

Canceling a Cycle

1. Press and hold  for 3 seconds to stop and cancel the cycle.
2. Press and hold  for 5 seconds to turn on dishwasher and activate drain mode. The dishwasher will shut down automatically after 60 seconds.

Changing a Cycle

1. Press and hold  for 3 seconds to stop and cancel the cycle.
2. Press  for 1 second dishwasher on.
3. Select the new cycle/options and press  .

TIPS AND TECHNIQUES



WARNING

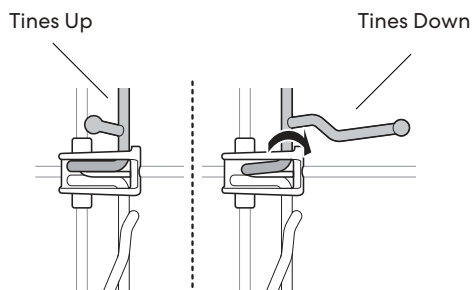
- Before adjusting, ensure the rack is empty of all dishes. Otherwise, dishes may get damaged or you may get injured.

LOWER RACK LOADING

- Plates should be positioned upright and facing the center of the rack and pots, pans and large dishes must be turned upside down.
- Load dinner plates, dishes, soup bowls etc. between the tines.
- Load cookie sheets, cake pans and other large items on the sides or back of the rack. Loading these items in the front of the dishwasher can prevent the water spray from reaching the detergent dispenser.
- Make sure that pot handles and other large items do not stop the rotation of the spray arms.
- The lower rack should not be used for small items such as cups, wine glasses, or small plates. These items should be loaded in the upper rack.
- Make sure that large items do not interfere with the rotation of the spray arms, and do not prevent the detergent dispenser from opening.

Folding Down the Lower Tines

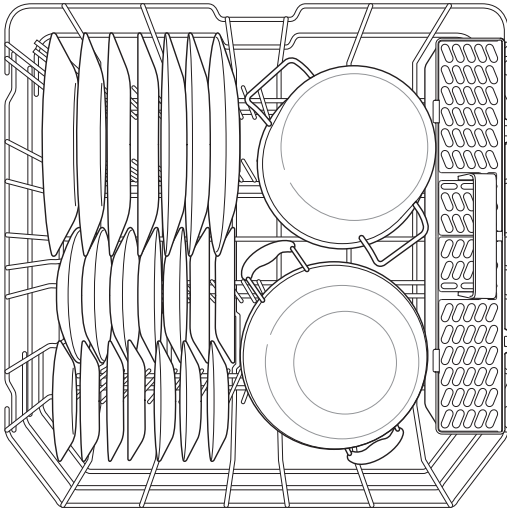
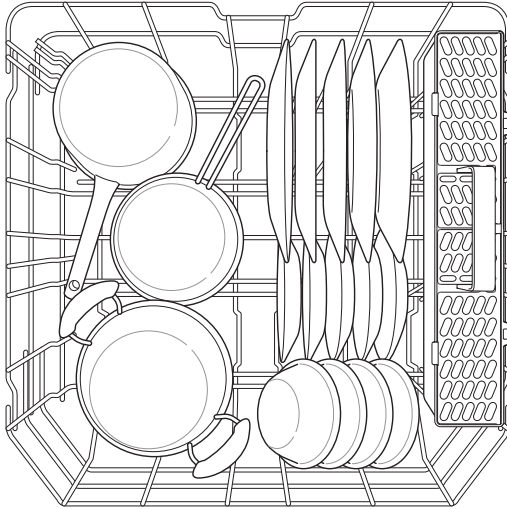
Fold tines down to fit larger dishes; pull tines back up to fit smaller dishes.



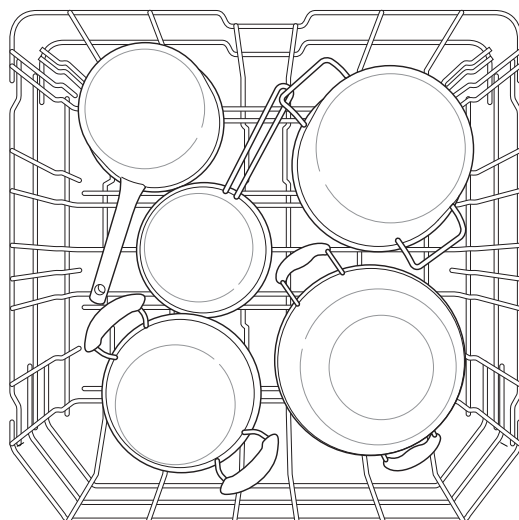
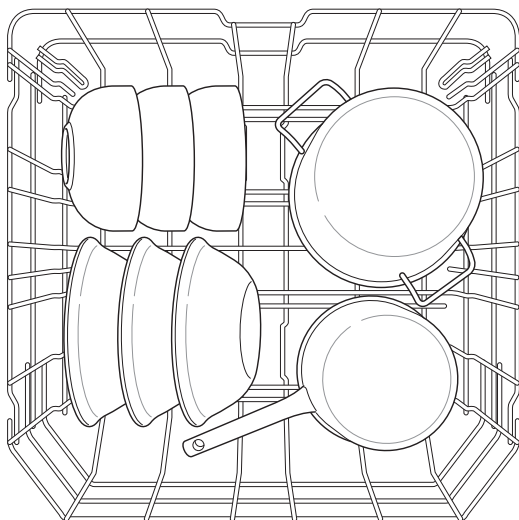
Note:

- The appearance of your rack may vary from the illustration.

LOADING DISHES & POTS



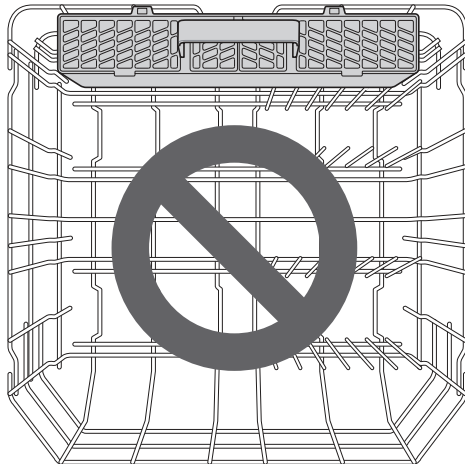
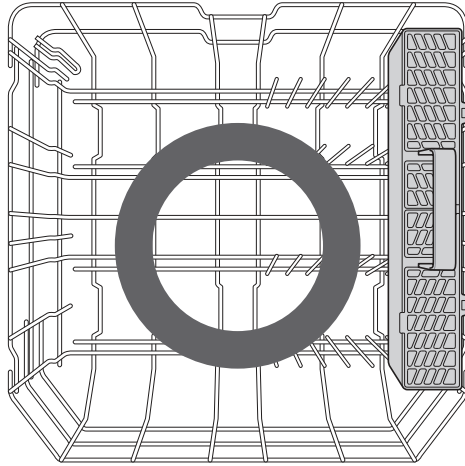
LOADING POTS & BOWLS



SILVERWARE BASKET PLACEMENT

Note:

- For best performance, silverware basket should be installed along the right side as shown below.
- Do not install the silverware basket at the back of the bottom rack.

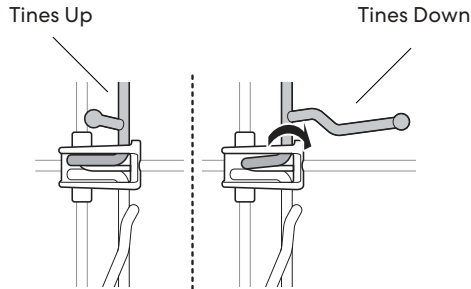


UPPER RACK LOADING

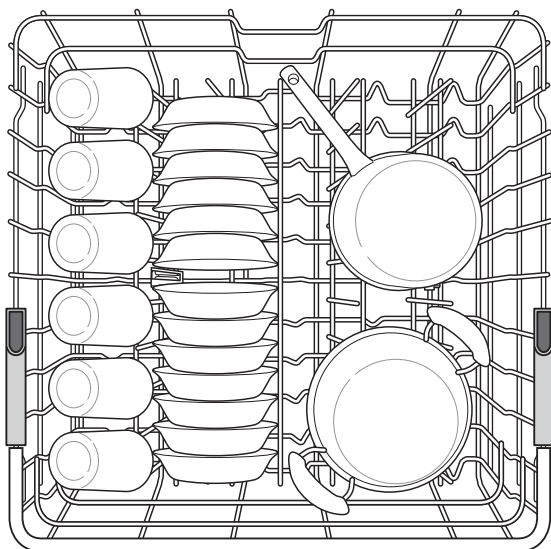
- Place cups and glasses in the rows between the rack tines. Placing them over the rack tines can lead to breakage and water spots.
- To avoid chipping, do not let stemware touch other items.
- Place items so that the open end faces down for cleaning and drying.
- Do not stack items on top of each other.
- Use the upper rack for small or delicate items such as small plates, cups, saucers, glasses, and dishwasher-safe plastic items.
- Cups, glasses, and bowls must be positioned upside down.
- Make sure items do not interfere with the rotation of the spray arms above and below the upper rack.
- When loading larger items in the upper rack, such as wine glasses or taller cups, it may be necessary to remove the third rack if one is present.

Folding Down the Upper Tines

Fold tines down to fit larger dishes; pull tines back up to fit smaller dishes.



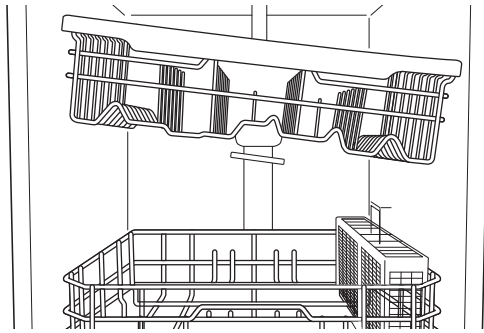
LOADING DISHES & POTS



HEIGHT ADJUSTABLE UPPER RACK (ON SOME MODELS)

Note:

- The upper rack adjusts up and down.
- Raise the upper rack to allow items around 14" tall in the lower rack.
- Lower the upper rack to allow dishes around 12" tall in the upper rack.
- Before pushing the upper rack into the dishwasher, ensure the rack height is the same on both sides. If the height is not the same on both sides, the dishwasher door will not shut and the upper spray arm will not connect to the water inlet.

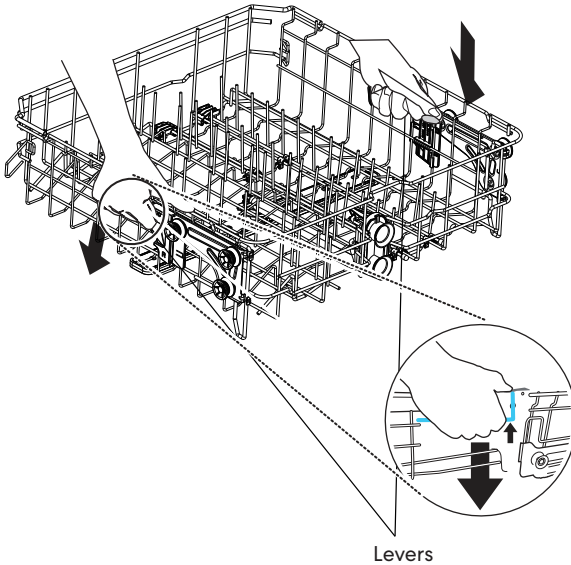


There are three ways to adjust the height of the upper rack to create more space.

The appearance of your rack may vary from the illustration.

Lowering the Upper Rack

Pull the rack out and hold the rack at the center of each side to support its weight. Then pull the lever up and lower it to the lower position.

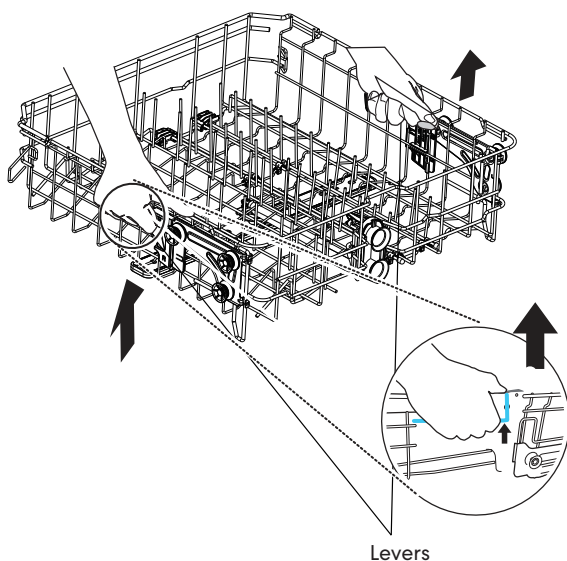


Raising the Upper Rack (Middle Position)

Note:

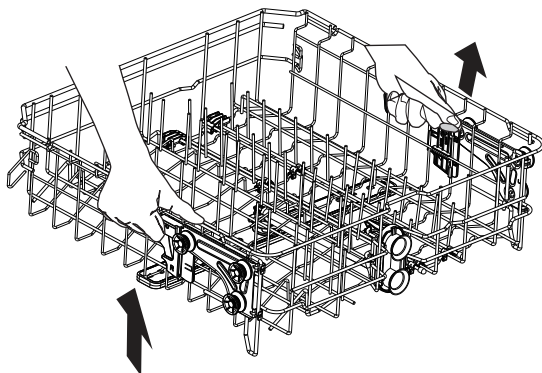
- To set the rack to the middle position, it may be easier to lower the rack all the way down and then raise each side of the rack individually until it clicks into place.

Pull the rack out and hold the rack at the center of each side to support its weight. Then pull the lever up and raise it little to set it to the middle position.



Raising the Upper Rack (Top Position)

Pull the rack out and hold the rack at the center of each side to support its weight. Then without pulling the lever, raise the rack slightly to set it to the top position.



Quick Checks

- After adjusting the rack levels, check that the spray arms are free to rotate.

- With the lower position of the upper rack, check if the bottom part of upper rack including spray arm is not disturbing items on the lower rack.
- When the upper rack is in the lower position, push in the upper rack first, and the lower rack later.
- Pull out the lower rack first, and the upper rack later.
- Raise the upper rack without pushing the buttons on each side. Pushing the buttons when raising the rack will prevent the rack from locking into position.

LOADING THE THIRD/TOP RACK

The Third rack is best suited for flatware. The separators on the Third rack help keep flatware separated to avoid damage and improve cleaning.

Note:

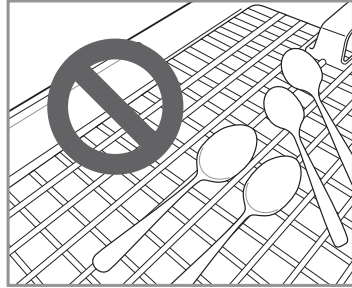
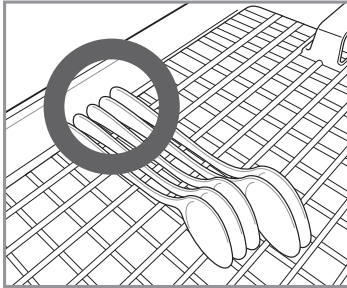
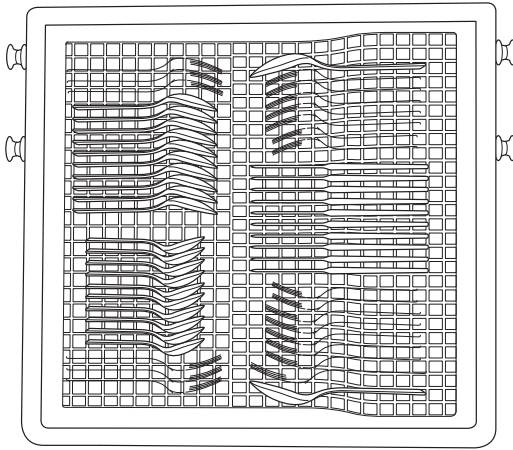
- For best cleaning performance, place flatware in the silverware baskets. Heavily soiled utensils or items with baked on foods should be placed in the middle rack or spoon basket for best performance.



WARNING

- Be careful when loading and unloading items with sharp edges. Load sharp knives with the blade down to reduce the risk of injury.

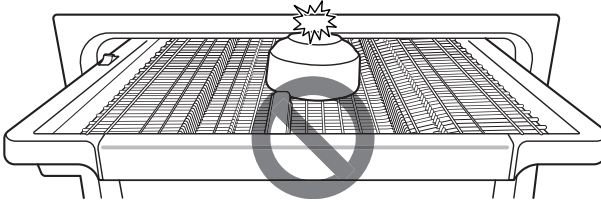
LOADING 10 PLACE SETTINGS FOR THE THIRD RACK





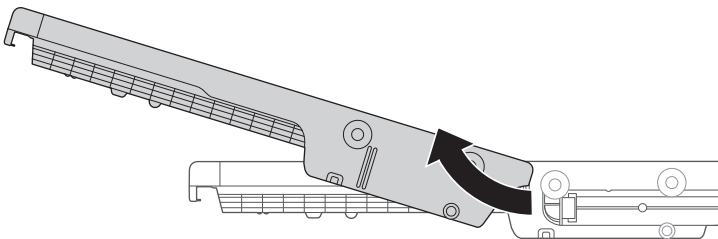
CAUTION

- Do not place bowls in the center of the third rack. The door may not close properly, resulting in leakage.

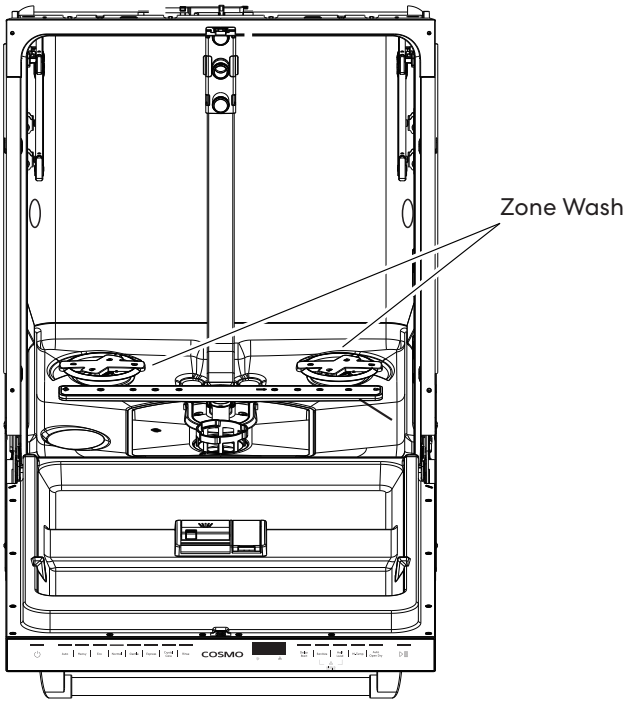


REMOVING THE THIRD/TOP RACK

- The entire third rack can be removed if more space is needed on the upper rack for larger items.
- Always remove the cutlery from the rack before removing the rack.
- Pull the rack out to the end of the rails. Then, lift the front of the rack so that the rollers clear the stop on the end of the rail. The rack can now be slid forward and removed from the rails.



ZONE WASH



- Zone Wash focuses wash power on a selected area of the dishwasher for extra cleaning on heavily soiled items.
- Use it for pots, pans, baking dishes, or loads where only a few items need stronger washing.
- Load the dirtiest items in the lower rack selected zone and face soiled surfaces toward the center; avoid nesting and leave space between items.
- Make sure spray arms rotate freely—do not let large items block them.
- Select a wash cycle, then press Start/Pause to begin.
- For best results, use a quality detergent and avoid overloading; some cycles/options may increase cycle time.

MAINTENANCE & CARE

IMPORTANT: To maintain performance and prevent trouble, it is important to check the outside and inside of the dishwasher, including filters and spray arms, at regular intervals.

Note:

- If you have not used the dishwasher for a long time, refresh the inside by running the Auto cycle without detergent. When the cycle is finished, clean the inside and outside of the dishwasher according to the Maintenance instructions.



WARNING

- When cleaning the outside and inside of the dishwasher, do not use benzene or thinner. Otherwise, it may cause fire or explosion.
- To prevent injury during care and maintenance or cleaning, wear gloves and/or protective clothing.

CLEANING THE EXTERIOR

- Clean the exterior of the dishwasher with a soft damp cloth or sponge, then dry it with a soft cloth. If the dishwasher has a stainless-steel exterior, use a cleaner suitable for stainless steel household appliances. Wipe off spills promptly to help maintain the finish.



CAUTION

- If cooking oil is spilled on the exterior of the product, wipe it off immediately.
- Do not clean the exterior of the product with cleaners which contain alcohol, thinners, bleach, benzene, flammable liquids, or abrasives. These substances may discolor or damage the appliance.

CLEANING THE INTERIOR

- Clean the interior of the dishwasher periodically with a soft, damp cloth or sponge to remove food and dirt particles.
- To remove white spots and odor from inside the dishwasher, run an empty cycle, without detergent, with one cup of white vinegar in a dishwasher safe glass or bowl placed on the upper rack. (Vinegar is an acid and with constant use it could damage the appliance.)

SEASONAL MAINTENANCE AND STORAGE

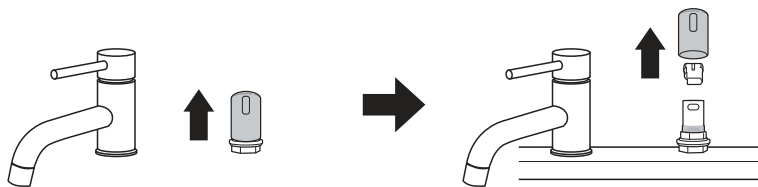
- If you will be absent for an extended period of time during warmer months, close the water valve and disconnect the power supply line, or turn off the circuit breaker. Clean the filter, tub and dispenser to prevent odor.
- If you will be absent for an extended period of time during colder months and there is a possibility of freezing temperatures, winterize the water supply lines and the dishwasher itself. Winterization must be performed by qualified service personnel.

CLOGGED DRAIN AIR GAP OR IN-SINK DISPOSAL

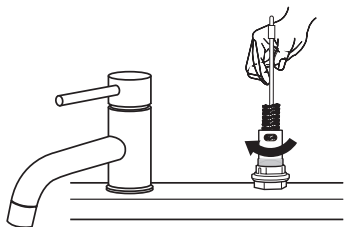
Check the drain air gap or in-sink disposal if the dishwasher is not draining well.

CLEANING THE AIR GAP

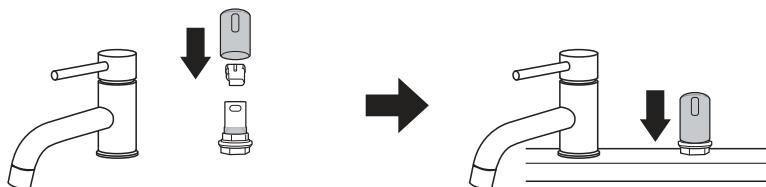
1. Make sure the dishwasher is turned off.
2. Remove the drain air gap cover and the plastic cap underneath it.



3. Clean out any debris with a toothpick or brush.



4. Replace the plastic cap and air gap cover.

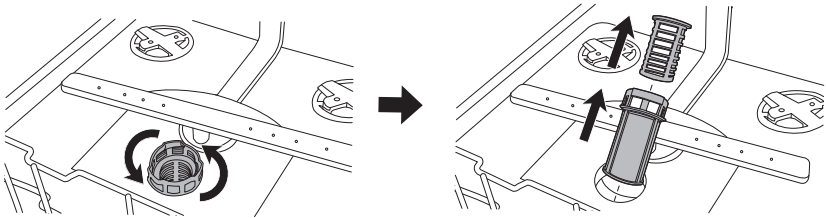


Note:

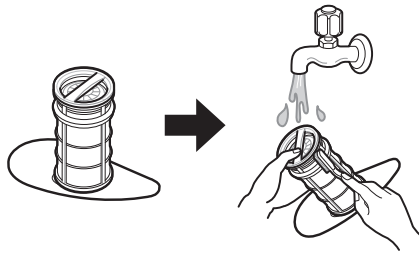
- The drain air gap and disposal are external plumbing devices that are not part of the dishwasher.
- The warranty provided with the dishwasher does not cover service costs directly associated with the cleaning or repair of the external drain air gap and disposal.

CLEANING THE FILTERS

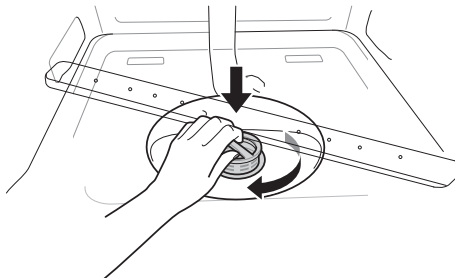
1. Pull the lower rack out and rotate the filter counter-clockwise and take out the filter assembly.



2. Take out the inner filter from the outer filter. With the filters removed, check the sump opening and remove any foreign materials, if needed.
3. Clean the filters with a soft brush under running water. Reassemble the filters before reinstalling them.



4. To replace the assembled filters, position the spray arm so the wider vee is toward the front. Fit the filters back into the filter holder and secure them by turning the inner filter clockwise until it clicks into place.





WARNING

- Be cautious of sharp edges when handling the stainless-steel filter.

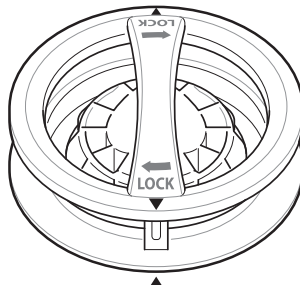


CAUTION

- Remove food residue caught in filters to prevent the buildup of odor-causing bacteria and possible drainage problems.

Note:

- For best wash performance, clean the filter after each load. If food debris remains in the filter, it may cause an odor.
- In areas with hard water, clean the filter at least once a month with a soft brush.
- Clean the filters using non-abrasive materials and warm running water.
- Make sure the filter is assembled correctly before starting a cycle. When assembling, rotate it firmly until it clicks.



FILTER CLEANING SCHEDULE (RECOMMENDED)

No. of Loads Per Week	If You Wash Dishes Before Loading	If You Scrape and Rinse Dishes Before Loading	If You Only Scrape Dishes Before Loading	If You Do Not Scrape Or Rinse Dishes Before Loading
1-3	Every 6 Months	Once a Year	Four Times a Year	Once a Month
4-7	Every 6 Months	Once a Year	Four Times a Year	Once a Month
8-12	Every 6 Months	Once a Year	Four Times a Year	Once a Month
13-14	Every 6 Months	Once a Year	Four Times a Year	Once a Month

CLEANING THE SPRAY ARMS

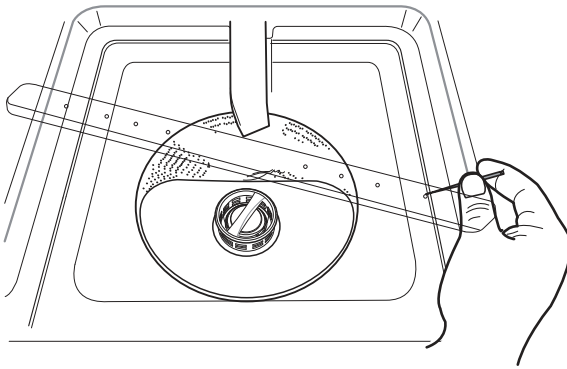
The appearance of your spray arms may vary from the illustration.

If the spray arm holes are blocked by any food residue, dishes may not be cleaned well due to improper water spray.

It is recommended that the spray arms be cleaned once every two weeks.

CLEANING THE LOWER SPRAY ARM

1. Make sure that the water jet holes are not blocked by food particles.
2. If any food residue blocks the spray arm holes, remove it with a pin or any sharp tool.

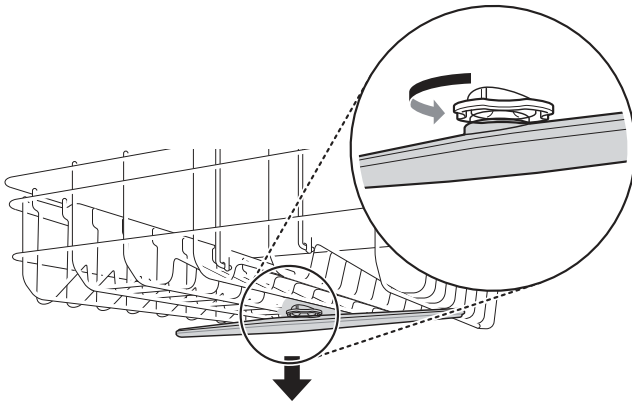


CAUTION

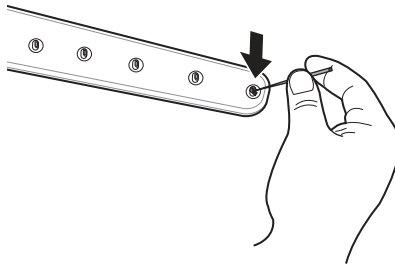
- To avoid breaking the rolling spray arm sections, do not pull or manually rotate them.

CLEANING THE UPPER SPRAY ARM

1. Pull the upper rack forward. Make sure that the water jet holes are not blocked by food particles.
2. When cleaning is necessary, remove the upper spray arm by turning the nut on the bottom of the spray arm 1/8 turn counter-clockwise and pulling down.

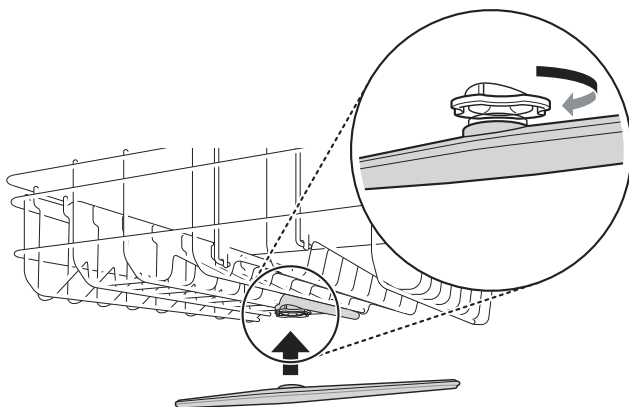


3. Remove food particles by rinsing or shaking the spray arm.
4. If any food residue blocks the spray arm holes, remove it with a pin or any sharp tool.



5. After removing the food residue, clean the spray arms holes under running water.

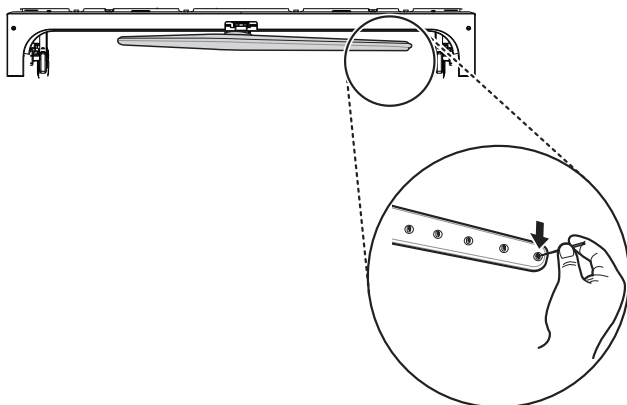
6. After cleaning the upper spray arm, press it up into place. Turn the nut 1/8 turn clockwise to make sure that the nut locks back into place.



7. After assembly, check whether the spray arms rotate freely.

CLEANING THE THIRD/TOP SPRAY ARM

1. Take out all the racks. Make sure that the water jet holes are not blocked by food particles
2. When cleaning is necessary, it is recommended not to remove the third spray, instead just clean while it's still attached.



3. After cleaning check whether the spray arms rotate freely.

REPLACING THE INTERIOR LED LIGHTS



WARNING

Electrical Shock Hazard

- Disconnect power before servicing. Replace all parts and panels before operating. Failure to follow these instructions can result in death or electrical shock.

IMPORTANT: Use only the correct replacement Interior LED Light assembly for your model. Check the website to buy the replacement parts. If you are not comfortable performing this procedure, contact Customer Support or a qualified service technician.

1. Turn OFF power at the circuit breaker (or unplug if accessible), then turn OFF the water supply. Pull the dishwasher out of the cabinet. Refer to REMOVE OLD APPLIANCE in the Installation Guide/Manual.
2. Lift the side insulation cover up where the interior light wiring is routed.
3. Locate the interior light 2-pin wire connector and disconnect it.
4. Hold the retaining nut on the outside of the tub. From inside the tub, rotate the light assembly to loosen, then remove the light. Keep the nut and gasket.
5. Install the new light with the gasket properly seated, tighten the retaining nut until secure, reconnect the 2-pin connector and reposition the insulation. Repeat the same for the other light.
6. Reinstall the dishwasher, then restore water and power, refer to the INSTALLATION INSTRUCTIONS section in the installation guide/manual and test the light.

TROUBLESHOOTING

BEFORE CALLING FOR SERVICE

First try the solutions suggested here to possibly avoid the cost of a service call.

DISHWASHER PROBLEMS

Problem	Possible Cause	Solution
Dishwasher does not operate / will not start	Normal pauses during cycle	This is normal. The dishwasher may pause several times during a cycle.
Dishwasher does not operate / will not start	Start/Pause light is flashing (top-control models)	Press Start/Pause, then close the door within 4 seconds.
Dishwasher does not operate / will not start	Door not closed/latched	Make sure the door is fully closed and latched.
Dishwasher does not operate / will not start	Large items interfering with closing	Check for interference from large pots/pans and the wash system at the back. Re-load as needed so the door can close and latch.
Dishwasher does not operate / will not start	Items protruding from rack / hitting spray arm	Check if items extend below/behind the rack. Check if tall items hit the upper rack or spray arm(s). Re-load as needed.
Dishwasher does not operate / will not start	Controls "asleep" after inactivity	Wake the controls (press Power or any key as applicable), then select cycle/options again.
Dishwasher does not operate / will not start	Control Lock is ON	If the Control Lock indicator is lit: press and hold Sanitize + Half Load for 3 seconds to unlock.

Problem	Possible Cause	Solution
Dishwasher does not operate / will not start	No cycle selected	Select a wash cycle (see Cycle/Option section).
Dishwasher does not operate / will not start	No power	Confirm power to the dishwasher. Check the home breaker/fuse.
Dishwasher does not operate / will not start	Lights other than Start/Pause are flashing and unit won't run	Call for service.
Detergent remains in dispenser / tablet on tub bottom	Dispenser blocked by dishes	Check for cookie sheets, cutting boards, large containers, etc. that prevent the dispenser door from opening.
Detergent remains in dispenser / tablet on tub bottom	Detergent is old/lumpy	Use fresh detergent (not clumped).
Detergent remains in dispenser / tablet on tub bottom	Cycle was interrupted/not completed	Close the door and press Start/Pause to resume the cycle.
Cycle runs too long	High-efficiency cycles run longer to save water/energy	Longer cycle times can be normal (often up to ~3 hours)
Cycle runs too long	Incoming water is too cool	Set water heater to about 120°F (49°C). Dishwasher may extend time while heating cold water.
Cycle runs too long	Options add time	Options like Hi-Temp/Sanitize may increase total cycle time (normal behavior).
Cycle runs too long	Hot water not at sink yet	Run hot water at a faucet near the dishwasher before starting the cycle.

Problem	Possible Cause	Solution
Will not fill with water	Water supply OFF	Make sure the water supply is turned ON.
Will not fill with water	Obstruction in distribution/spray	Check that spray/distribution paths are not blocked.
Will not fill with water	Excess suds detected	If foam/suds are present, the dishwasher may not fill or run correctly.

DRAINING, INDICATORS, AND LOAD DAMAGE

Problem	Possible Cause	Solution
Water remains in tub / will not drain	Cycle not finished	Make sure the cycle is complete (cycle light/time display indicates completion).
Water remains in tub / will not drain	Cycle interrupted	Resume: press Start/Pause and close door within 4 seconds (top-control models).
Water remains in tub / will not drain	Garbage disposer knockout plug not removed	If connected to a disposer, confirm the knockout plug was removed from the disposer inlet.
Water remains in tub / will not drain	Drain hose kinked	Check for kinks in the drain hose and correct routing.
Water remains in tub / will not drain	Food blockage in drain/disposer	Check for food obstruction in the drain or disposer.

Problem	Possible Cause	Solution
Indicator does not light after Hi-Temp wash	No water entered at some point during Hi-Temp wash	Cycle may end and indicator may not light. Refer to Will not fill troubleshooting.
Dish damage (chipping, etc.)	Improper loading	Improper loading can cause chipping/damage. Follow loading guidance.
Indicator lights are flashing	Cycle interrupted / door opened	If Start/Pause flashes: press Start/Pause and close door within 4 seconds.
Problem	Possible Cause	Solution
Indicator lights are flashing	Light flashes and unit won't run	Call for service.

DRYING, SPOTS/FILM, HARD WATER, AND ODORS

Problem	Possible Cause	Solution
Dishes not drying well	Plastic/nonstick items retain water	Plastics and nonstick surfaces are harder to dry; towel-drying may be needed.
Dishes not drying well	Rinse aid not used (Auto Open Dry)	Use rinse aid for proper drying (especially with auto-open dry style drying).
Dishes not drying well	Loading affects drainage	Load so water can drain. Concave bottoms can hold water and spill during unloading. Unload lower rack first. Place items on the most slanted side for best drainage.

Problem	Possible Cause	Solution
Odors	Dishwasher not used daily	Run a rinse cycle with partial loads until a full load is ready.
Odors / film	Needs vinegar rinse	Place 2 cups (500 mL) white vinegar in an upright glass measuring cup on the lower rack. Run Normal with Auto Open Dry OFF. Do not use detergent.
Hard water (white residue inside unit or on glassware)	Very hard water mineral deposits	Mineral deposits can damage the dishwasher and reduce performance. A water softener is recommended for 15 grains or more.
Hard water (white residue)	No softener installed	If no softener: use a commercial dishwasher cleaner monthly; always use rinse aid; use fresh high-quality tabs/packs; use a dishwasher water-softener additive designed for dishwashers.
Cloudy glassware / spots	Hard water film	Confirm by soaking item in white vinegar for 5 minutes—if it clears, it's hard water. Adjust detergent + rinse aid amounts.
Cloudy glassware	Etching (permanent)	If it does not clear with vinegar, it's likely etching (permanent). To prevent: adjust detergent to water hardness and avoid pre-washing/pre-rinsing.
Spots / poor results	Water temp / cycle selection	Ensure incoming water is about 120°F (49°C) and try Hi-Temp/Sanitize options if needed.

Problem	Possible Cause	Solution
Food soils remain on dishes	Improper loading	Confirm proper loading—poor loading reduces wash performance.
Food soils remain on dishes	Wrong cycle/options	Choose cycle/options for soil level. Heavy + Hi-Temp may help tough loads.
Food soils remain on dishes	Water not hot enough	Incoming water should be at least 120°F (49°C).
Food soils remain on dishes	Not enough / old detergent	Use the correct amount of fresh detergent. More detergent may be needed for heavy loads and hard water.
Food soils remain on dishes	Pre-rinsing vs scraping	Scrape food off before loading (do not pre-rinse).

NOISE

Problem	Possible Cause	Solution
Dishwasher is noisy	“Whooshing” during drain	Periodic whooshing can be normal during draining.
Dishwasher is noisy	Water valve “hiss”	Periodic valve hiss can be normal.
Dishwasher is noisy	Dispenser opening sound	A sound when the detergent dispenser opens can be normal.
Dishwasher is noisy	Auto-open door beep.	Normal reminder tone may occur when the door opens automatically.

Problem	Possible Cause	Solution
Dishwasher is noisy	Poor installation / not level	Installation can affect noise. Confirm unit is properly installed and level.
Dishwasher is noisy	Filters not installed correctly	Make sure filters are installed correctly.
Dishwasher is noisy	Dishes interfering with spray arms	If items extend beyond racks and hit wash arms, re-load and resume.

LEAKS AND APPEARANCE

Problem	Possible Cause	Solution
Leaks	Unit not level / poor installation	Confirm dishwasher is installed correctly and is level.
Leaks	Suds causing overflow	Use only automatic dishwasher detergent, measure accurately. Less detergent is needed in soft water. Try another brand if sudsing continues.
Leaks	Rinse aid cap loose / overfilled	Ensure rinse aid cap/cover is secure and avoid overfilling.
Tub is discolored	High iron in water	High iron content can discolor the tub.
Tub is discolored	Tomato-based foods	Tomato foods can stain. Remove large amounts before loading. A citrus-based cleaner can be used to clean.

ERROR CODES

Codes	Meanings	Reasons	Possible Causes
E1	Water inlet abnormal / Water shortage	Dishwasher did not fill to the expected water level within the required time.	Water supply valve (faucet) is OFF; water pressure too low (recommended: 20–120 psi / 138–827 kPa); inlet hose kinked/blocked/broken; inlet filter/screen clogged.
E2	Inlet valve fault	Control detects the inlet valve is not operating correctly.	Inlet valve failure; wiring/connection issue to inlet valve.
E4	Overflow fault	Overfill/overflow condition detected (water level abnormal or water entering when it shouldn't).	Wrong detergent / excess suds; external water flowing into the unit; internal leak; drain hose blocked/kinked/incorrect routing or too high; unit not level.
E5	Communication failure	Control communication fault detected.	Communication exception between boards; wiring harness/connector issue; control board fault.
E6	NTC failure	Temperature sensing fault detected.	NTC (temperature sensor) failure; wiring/connection issue to sensor.

Codes	Meanings	Reasons	Possible Causes
E11	Auto-open door failure	Auto-open door function did not operate as expected.	Auto-open mechanism fault; wiring/connection issue; control fault.
E14	Display board communication failure	Communication fault between the display board and main control.	Display board cable/connector issue; display board.

LIMITED WARRANTY

WARRANTY AND SERVICE

TO RECEIVE WARRANTY SERVICE, YOUR PRODUCT MUST BE REGISTERED.

TO REGISTER AND REVIEW FULL WARRANTY DETAILS, VISIT:

WWW.COSMOAPPLIANCES.COM/WARRANTY

SCAN TO REGISTER



CUSTOMER SUPPORT

TO CHAT WITH US LIVE FOR ASSISTANCE, VISIT:

WWW.COSMOAPPLIANCES.COM/CHAT

SCAN TO CHAT



IMPORTANT

Do Not Return This Product To The Store

If you have a problem with this product, please contact COSMO Customer Support at

+1 (888) 784-3108

DATED PROOF OF PURCHASE, MODEL #, AND SERIAL # REQUIRED FOR WARRANTY SERVICE.

IMPORTANT

Ne pas Réexpédier ce Produit au Magasin

Pour tout problème concernant ce produit, veuillez contacter le service des consommateurs Cosmo Customer Support au

+1 (888) 784-3108

UNE PREUVE D'ACHAT DATEE EST REQUISE POUR BENEFICIER DE LA GARANTIE.

IMPORTANTE

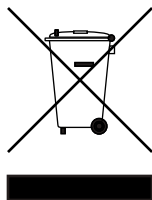
No regrese este producto a la tienda

Si tiene algún problema con este producto, por favor contacte el ayuda al cliente COSMO al

+1 (888) 784-3108

(Válido solo en E.U.A.)

NECESITA UNA PRUEBA DE DE COMPRA FECHADA, NÚMERO DE MODELO Y DE SERIE PARA EL SERVICIO DE LA GARANTÍA.



Correct Disposal of this product:

This marking indicates that this appliance should not be disposed with other household wastes. To prevent possible harm to the environment or human health from uncontrolled waste disposal, recycle it responsibly to promote the sustainable reuse of material resources.

MEMO

A series of horizontal dashed lines for writing.

MEMO

A series of horizontal dashed lines for writing.



APPLIANCES

Cosmo is constantly making efforts to improve the quality and performance of our products, so we may make changes to our appliances without updating this manual.

Electronic version of this manual is available at:
www.cosmoappliances.com