

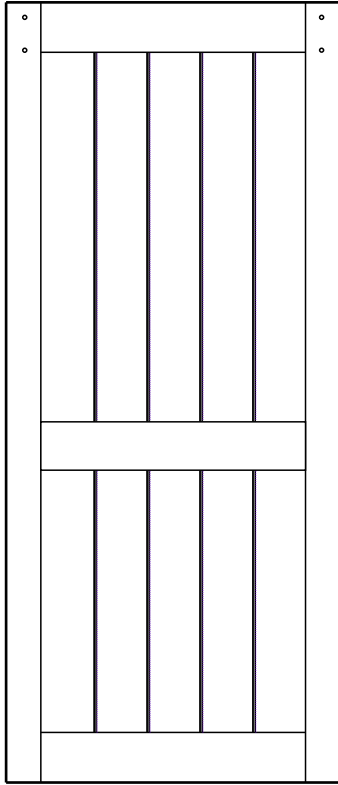
R-shape Barn Door

Installation Guide

In case of questions or missing parts, please contact

✉ Dooraftersale@gmail.com

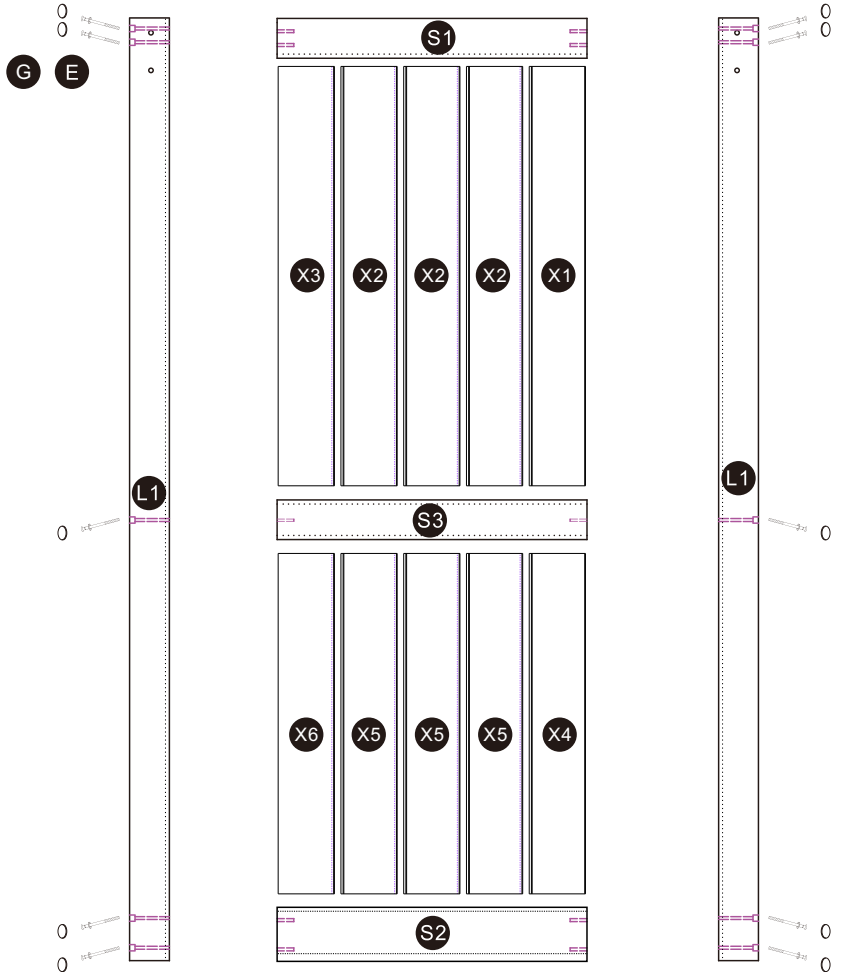
Assembly Diagram



2 PERSON
ASSEMBLY

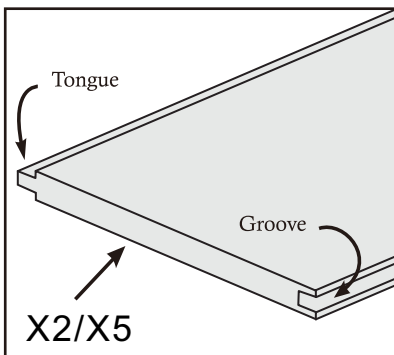


UP TO 30 MIN.
ASSEMBLY



*Note: S1 S2 S3 must be the same place as above

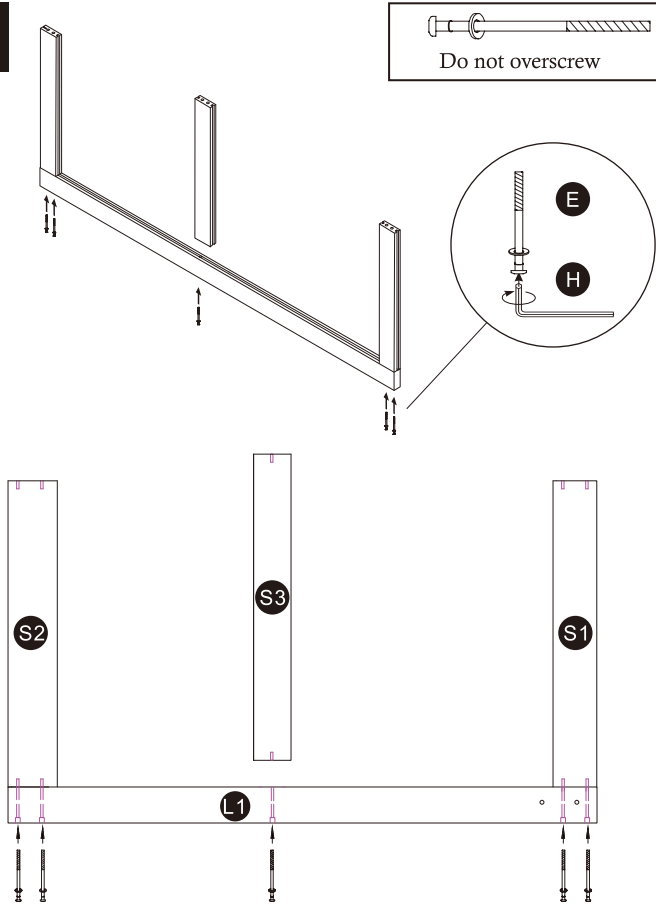
Hardware List



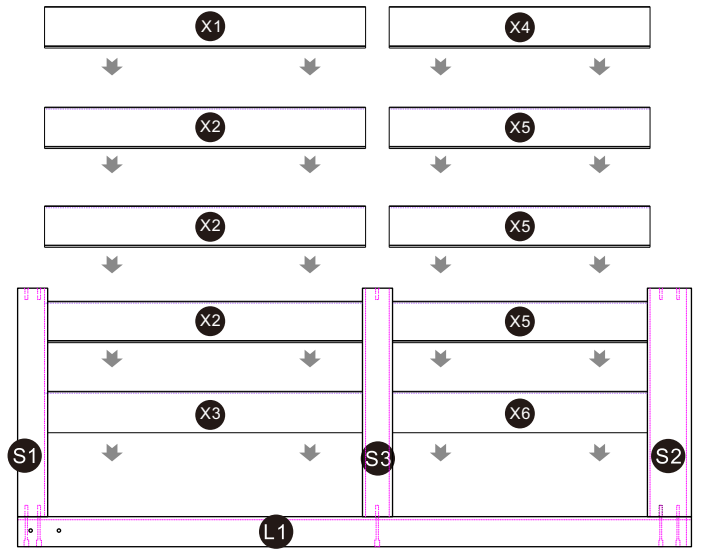
L1 x 2 pcs	X1 x 1 pcs	X2 30"x2 pcs 36"x3 pcs 42"x4 pcs 48"x5 pcs	X3 x 1 pcs	X4 x 1 pcs	X5 30"x2 pcs 36"x3 pcs 42"x4 pcs 48"x5 pcs	X6 x 1 pcs
S1 x 1 pcs	S2 x 1 pcs	S3 x 1 pcs	G x 10 pcs	E 4inch x 10 pcs	H x 1 pcs	

Assembly Steps

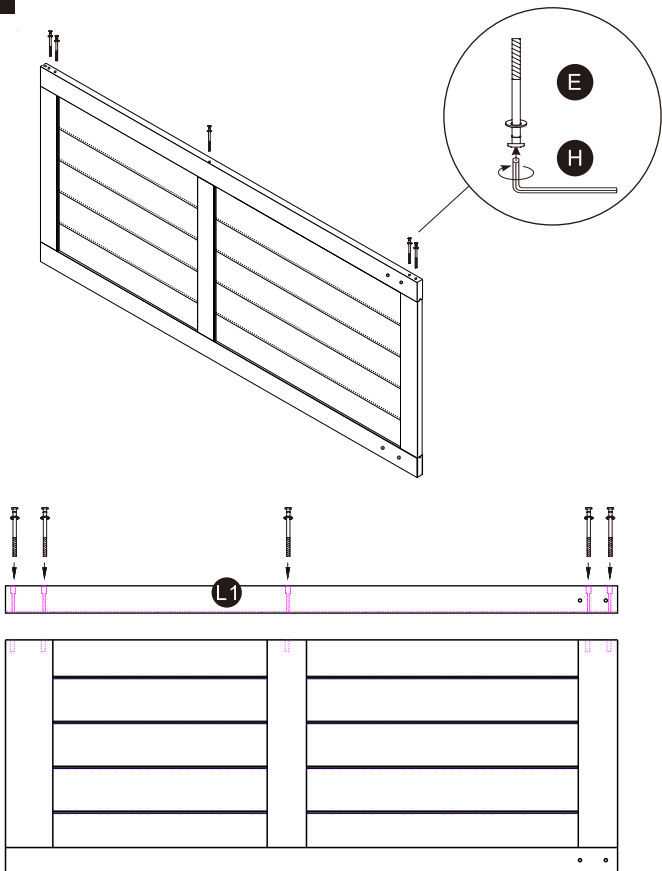
1



2



3



4

