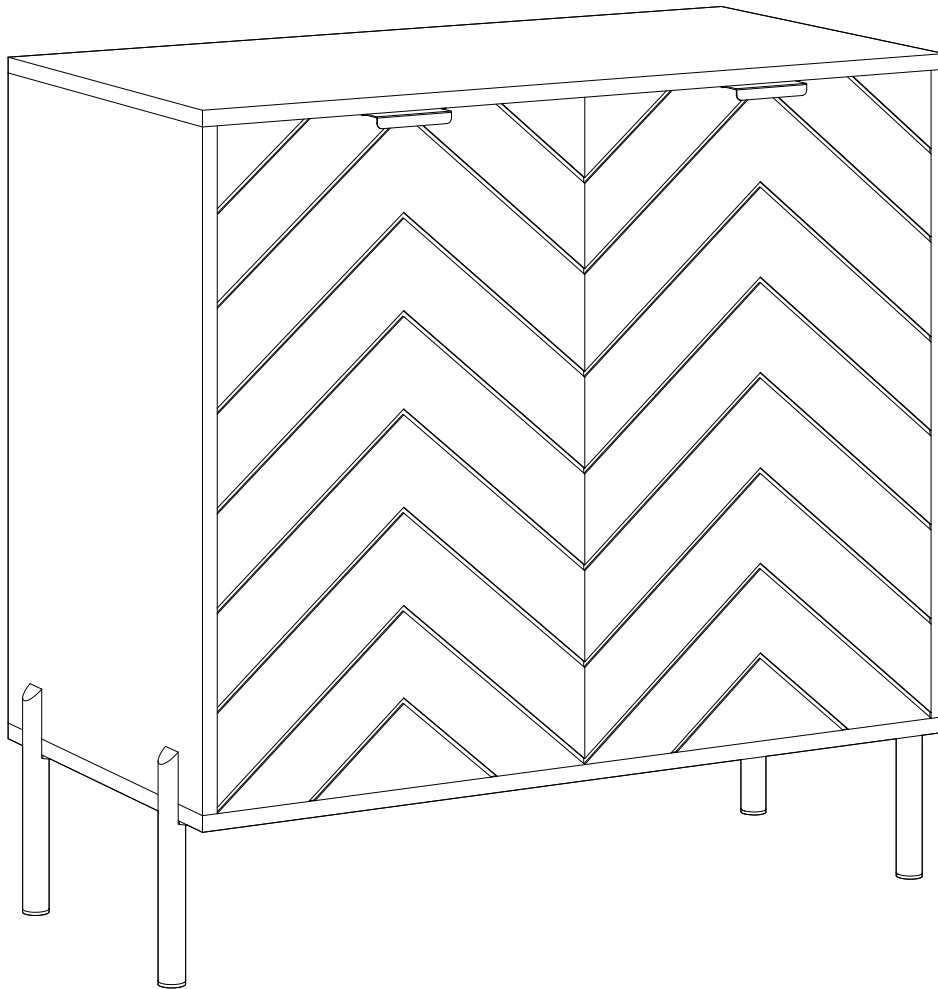


2 Door Cabinet

ASSEMBLY INSTRUCTION

1. Before installation, please read the Assembly Instruction carefully.
2. Please check whether the Parts and Hardware are consistent with the list.
3. It is normal for the sealed environment to smell, not a product quality



Clihome

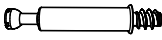
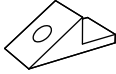




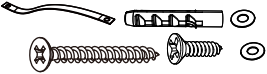
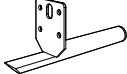
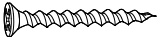
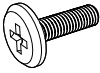

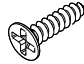
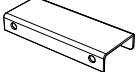
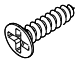
Web: <https://clihome.net/>

Service Contact : service@clihome.net

Phone Number:

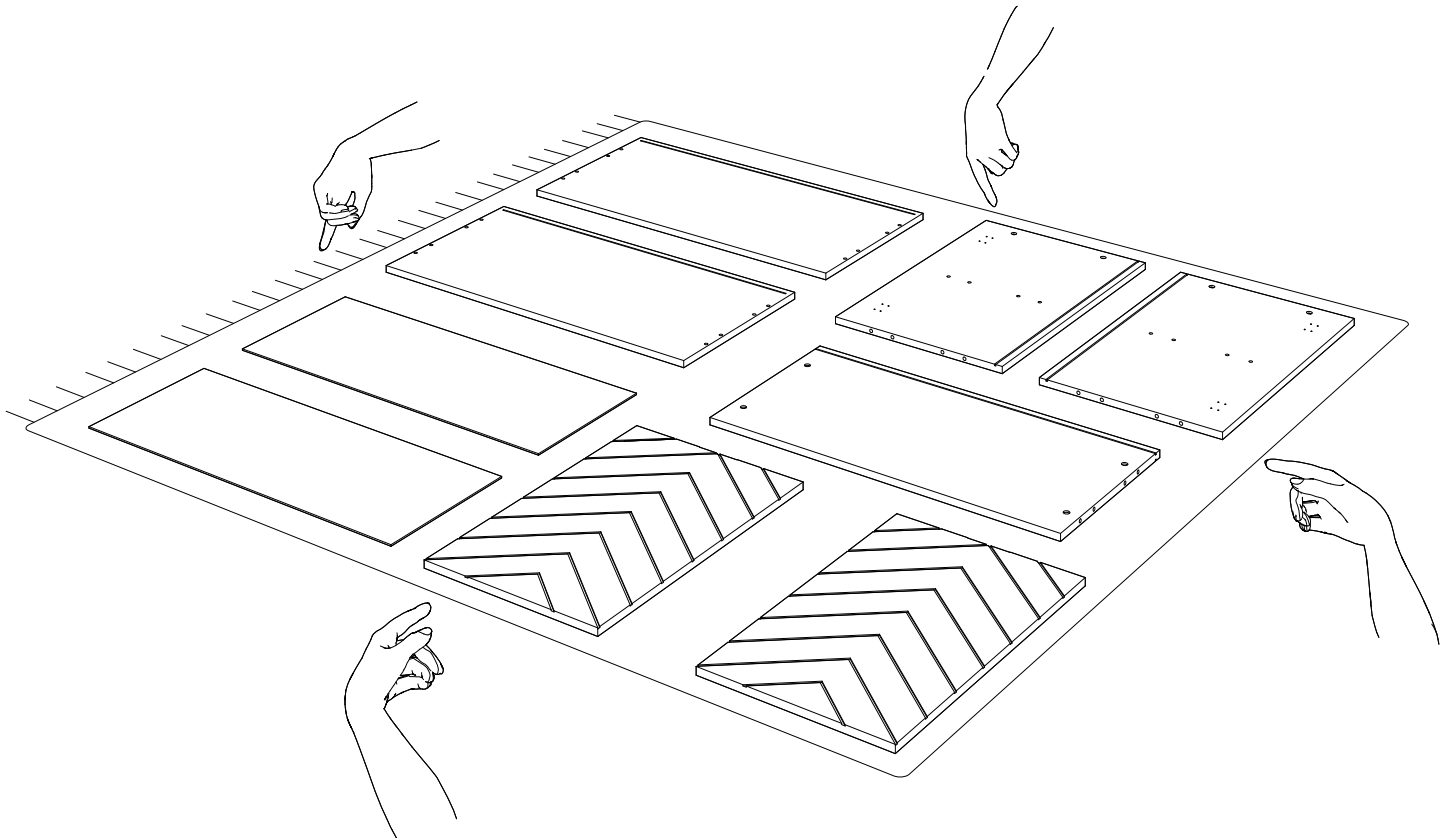
(951) 213-4743/303-747-4421

HARDWARE LIST


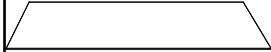
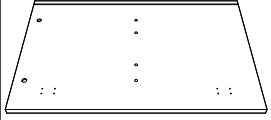

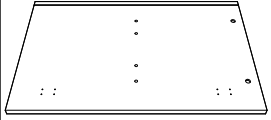
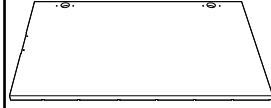


NO.	DESCRIPTION	QTY	NO.	DESCRIPTION	QTY
A	 Φ 6*35	8	I		8
B	 Φ 15*10	8	J	 Φ 3*16	8
C	 Φ 6*30	12	K		4
D		2	L		4
E	 Φ 4*40	4	M	 Φ6x14	16
F		4	N	 Φ 4*14	24
G		2			
H	 Φ 4*12	4			

Layout Parts on Soft Surface

Lay out all parts on a soft surface i.e. Rug, Carpet or Packaging Carton

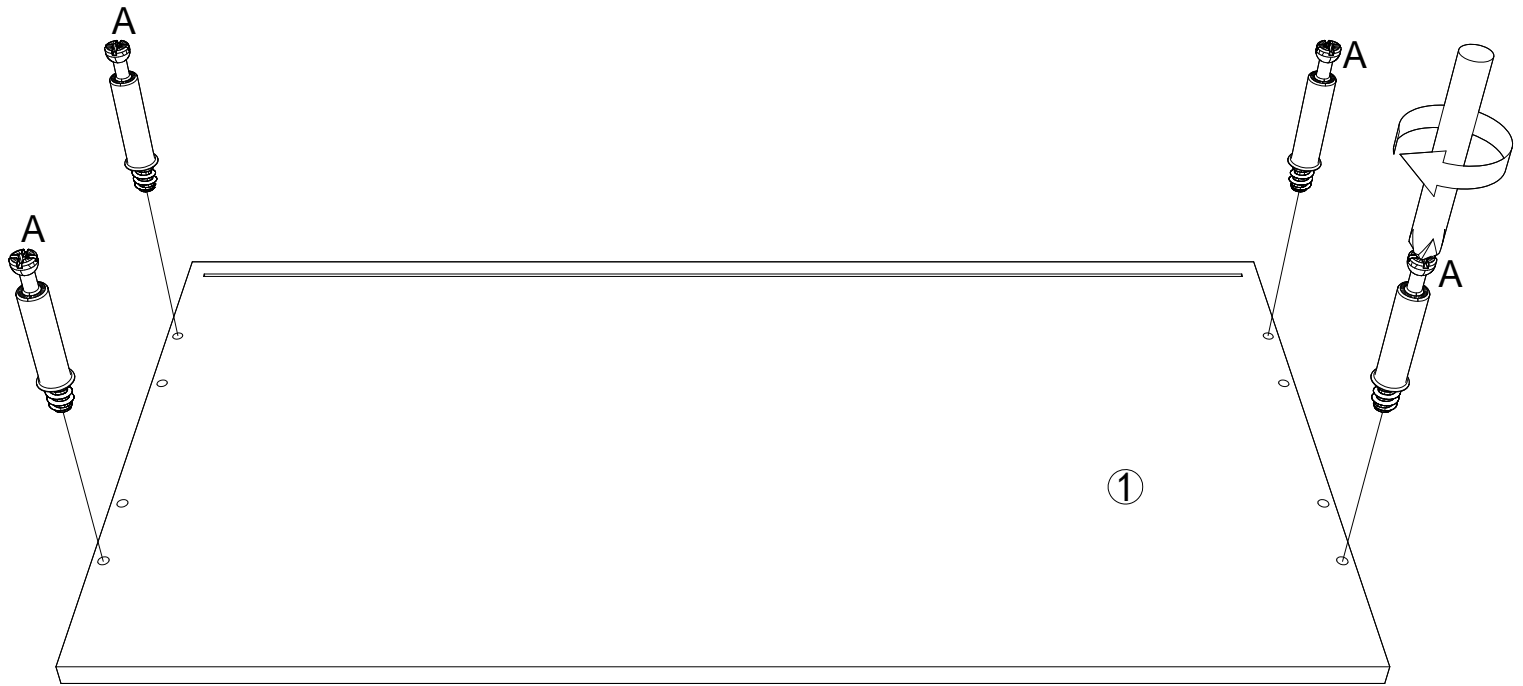
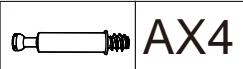


PART LIST

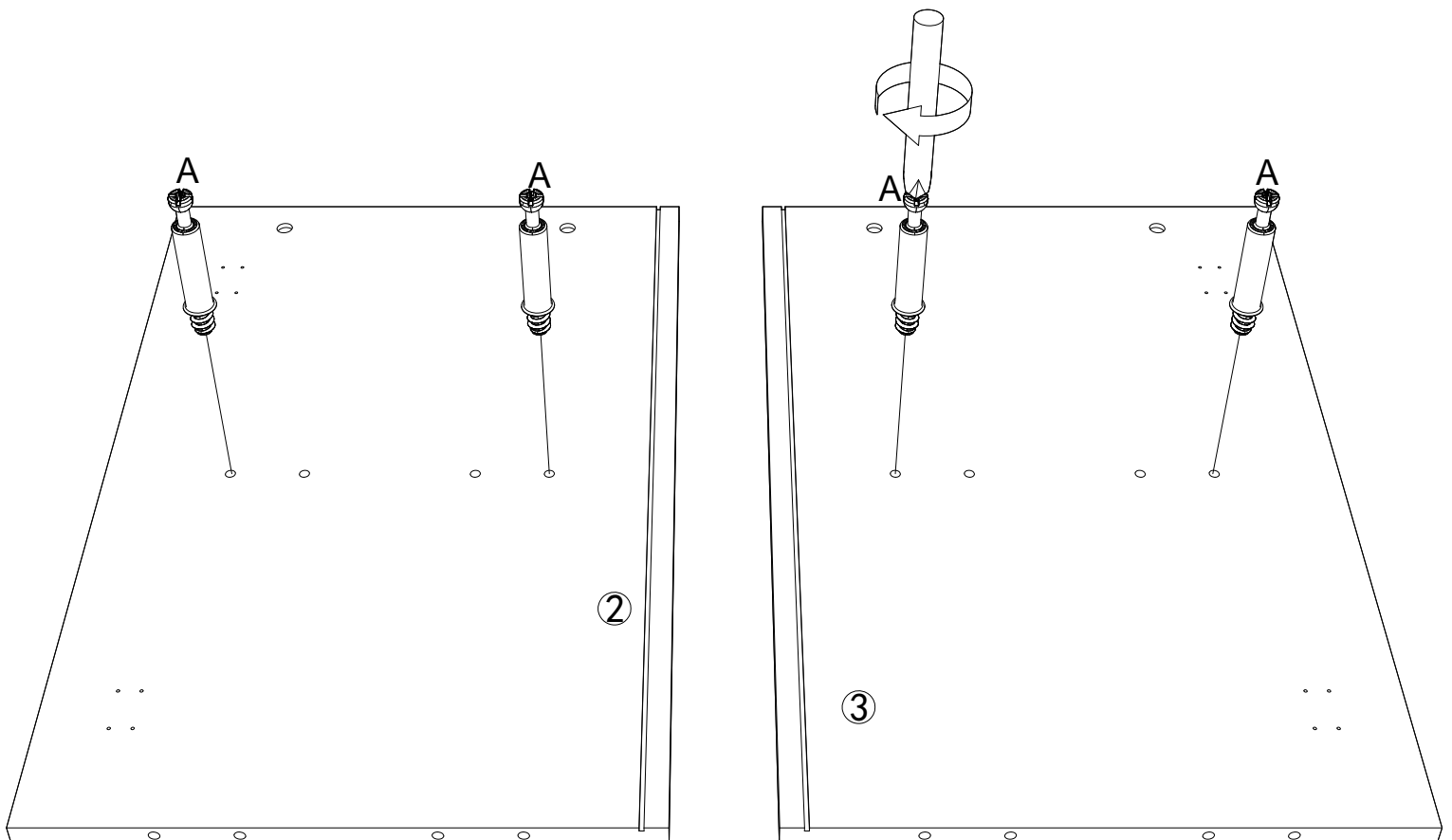
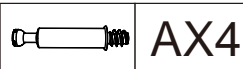
LTEM.	DESCRIPTION	PART	QTY	LTEM.	DESCRIPTION	PART	QTY
1	TOP PANEL		1	5	BACK PANEL		2
2	LEFT SIDE PANEL		1	6	SHELF PANEL		1
3	RIGHT SIDE PANEL		1	7	LEFT DOOR PANEL		1
4	BOTTOM PANEL		1	8	RIGHT DOOR PANEL		1

INSTALLATIONS

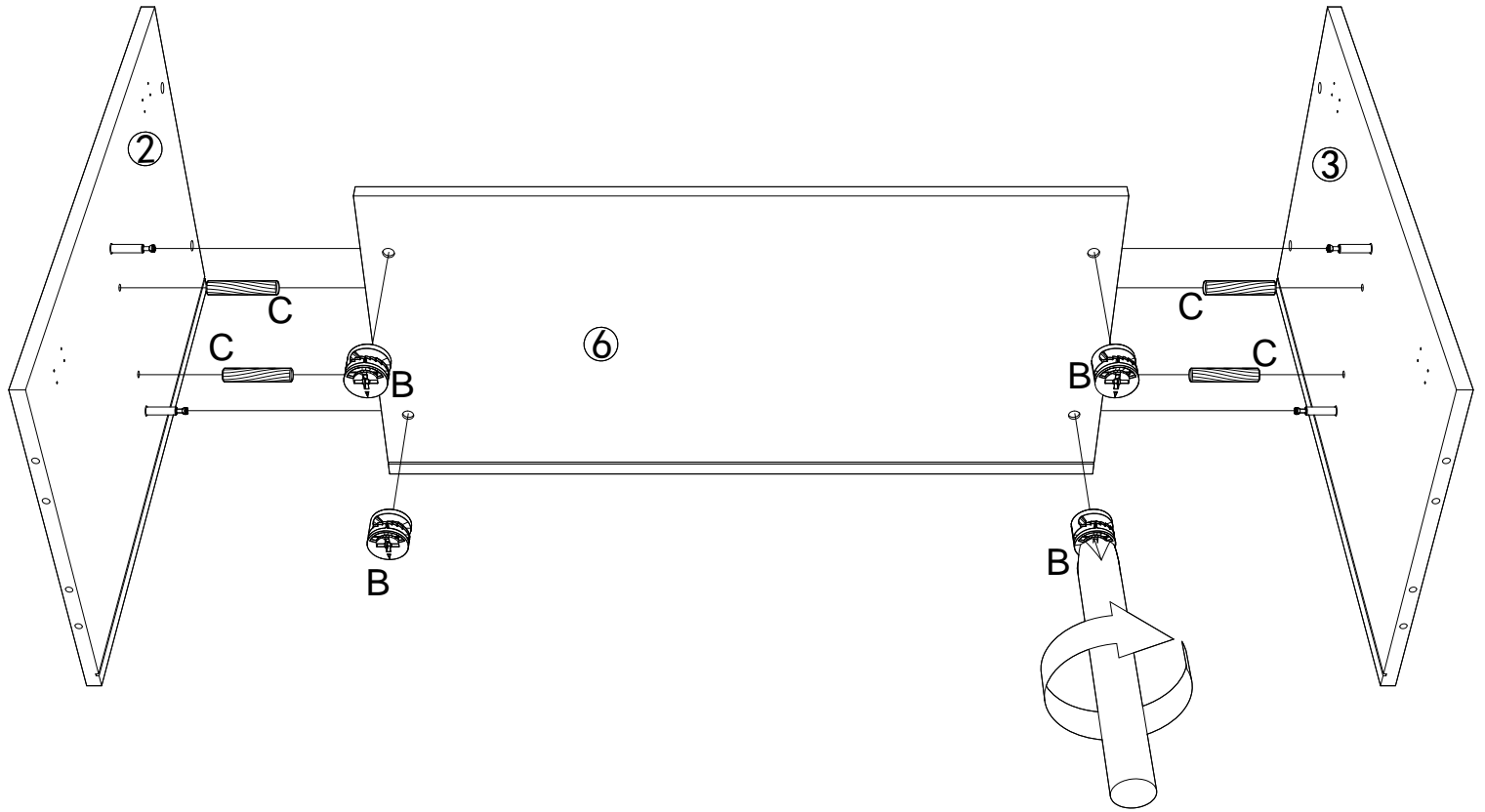
STEP 1



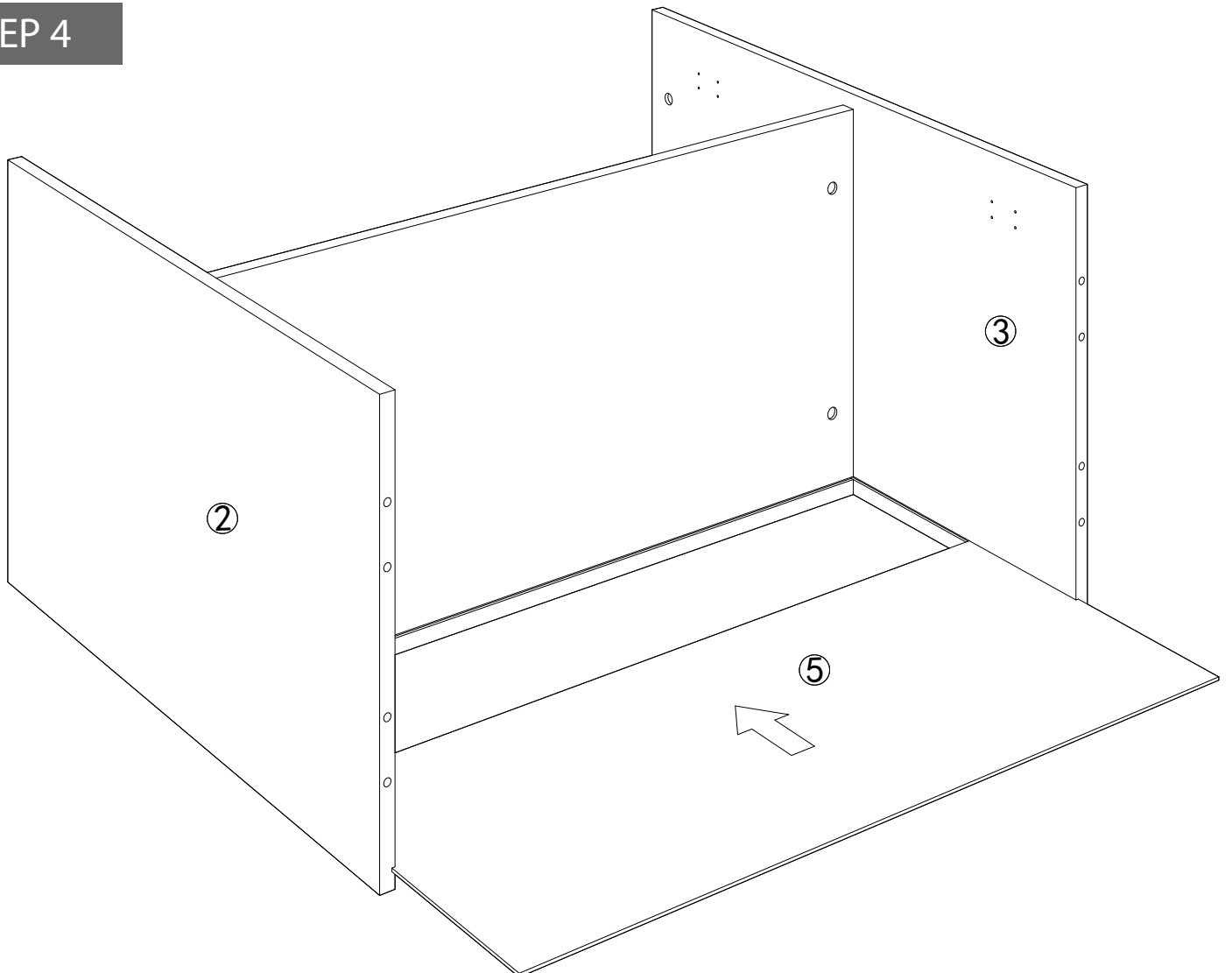
STEP 2



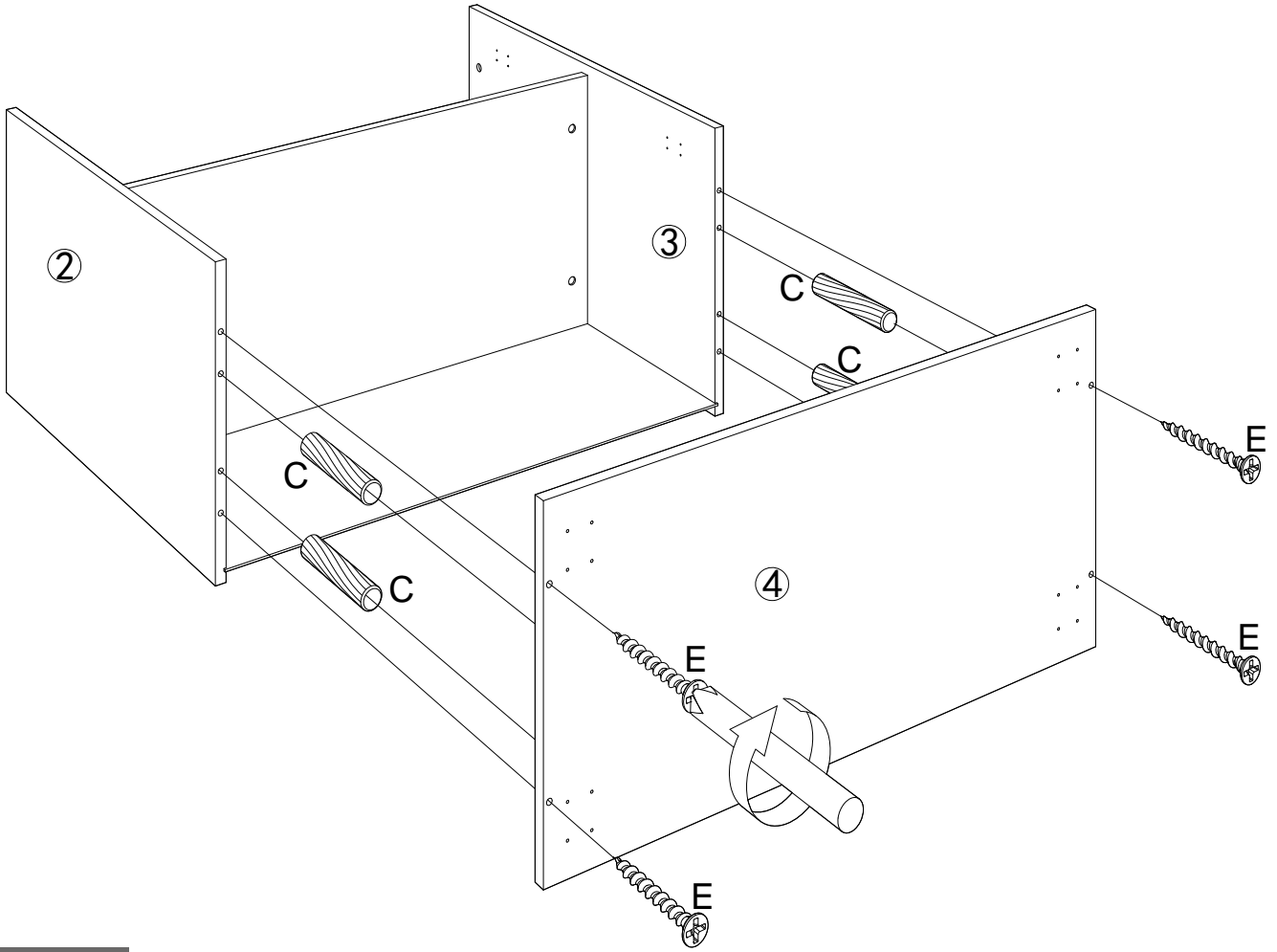
STEP 3



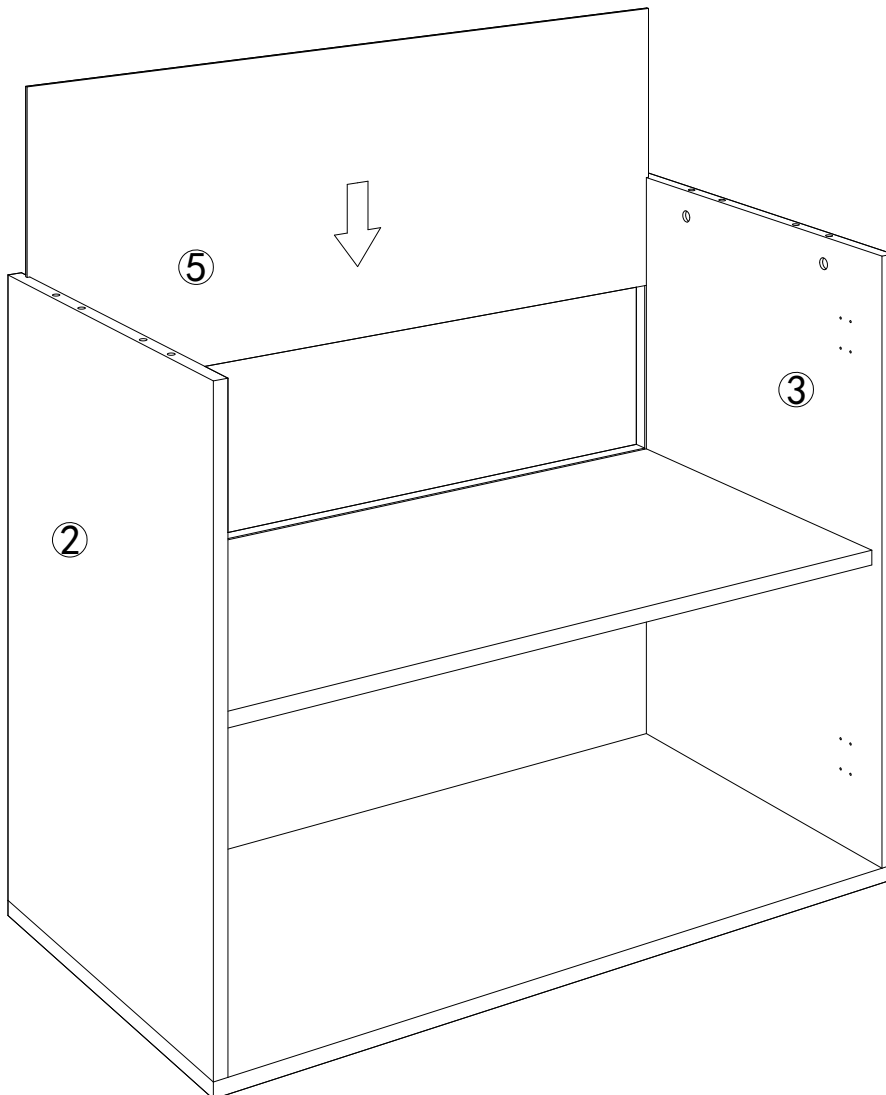
STEP 4



STEP 5



STEP 6



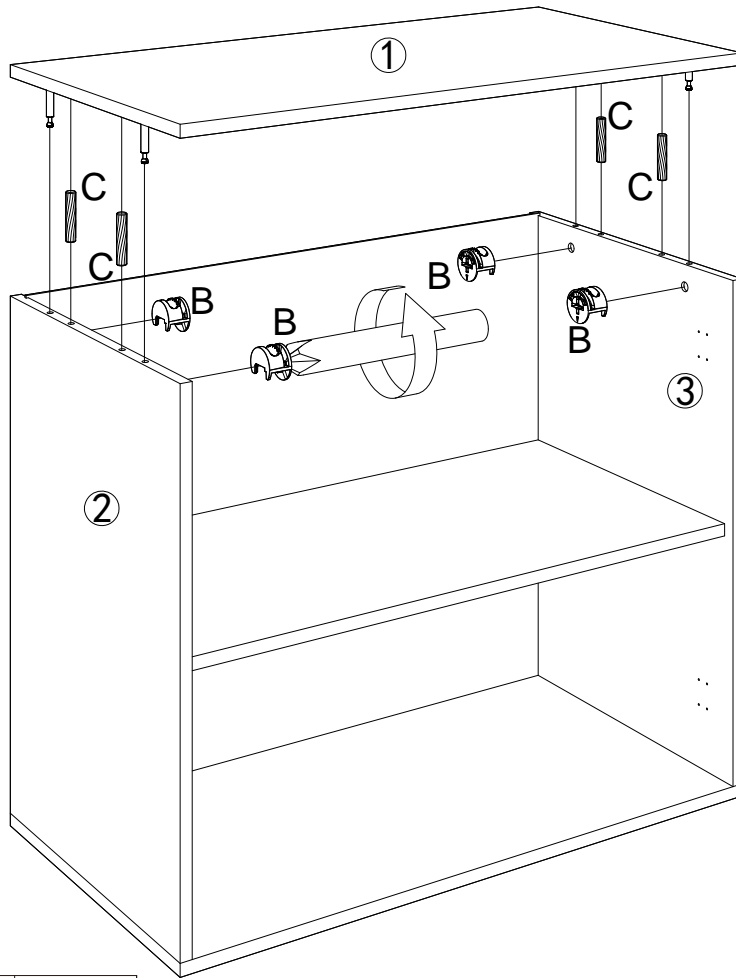
STEP 7



BX4



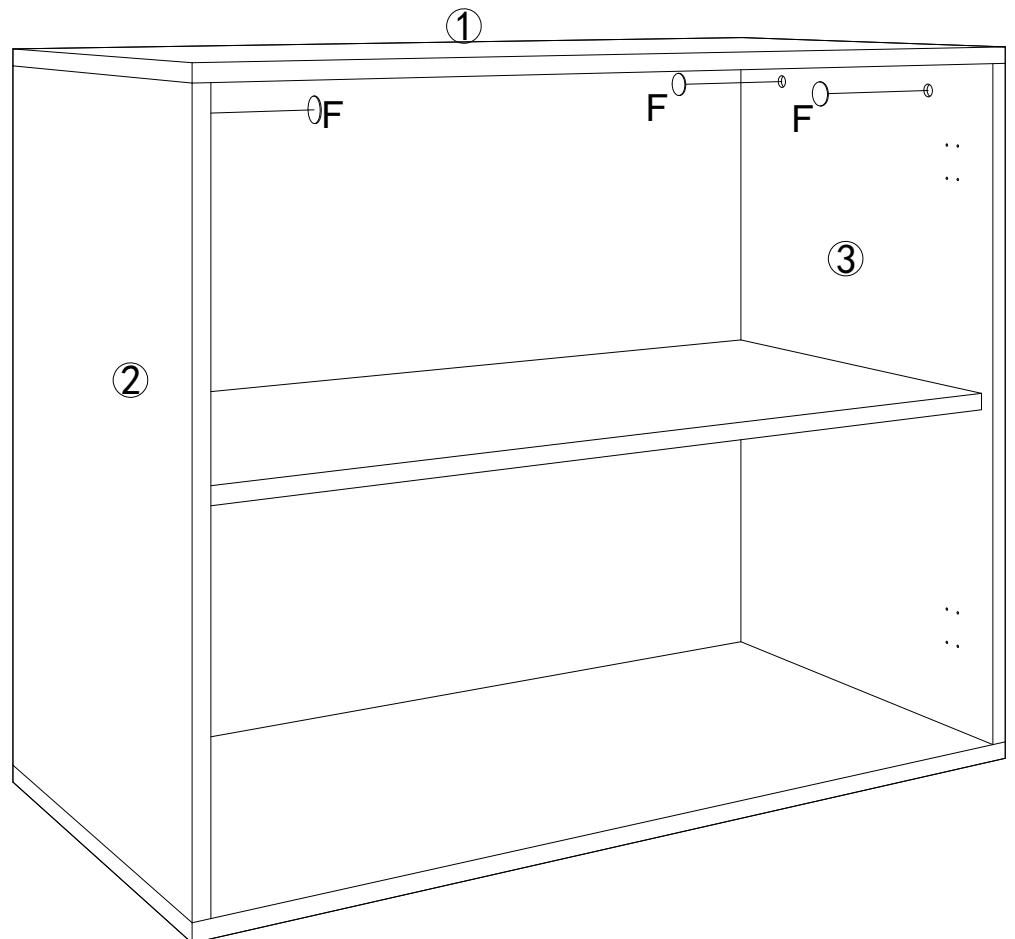
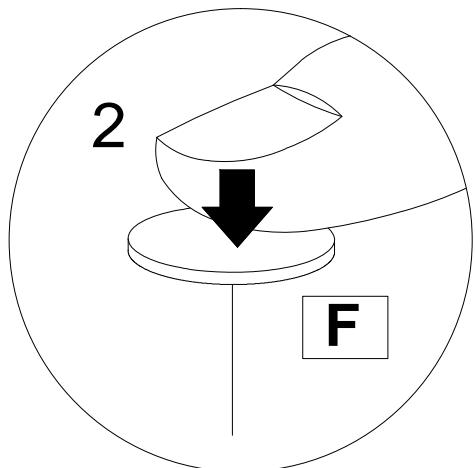
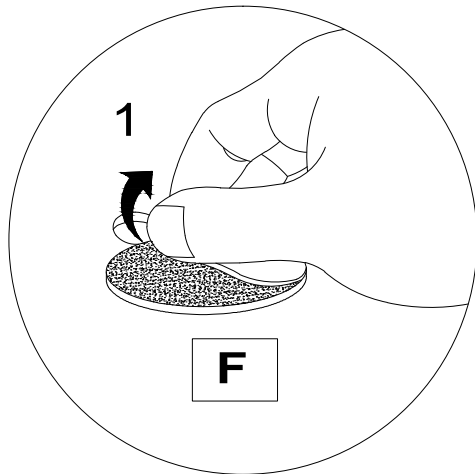
CX4

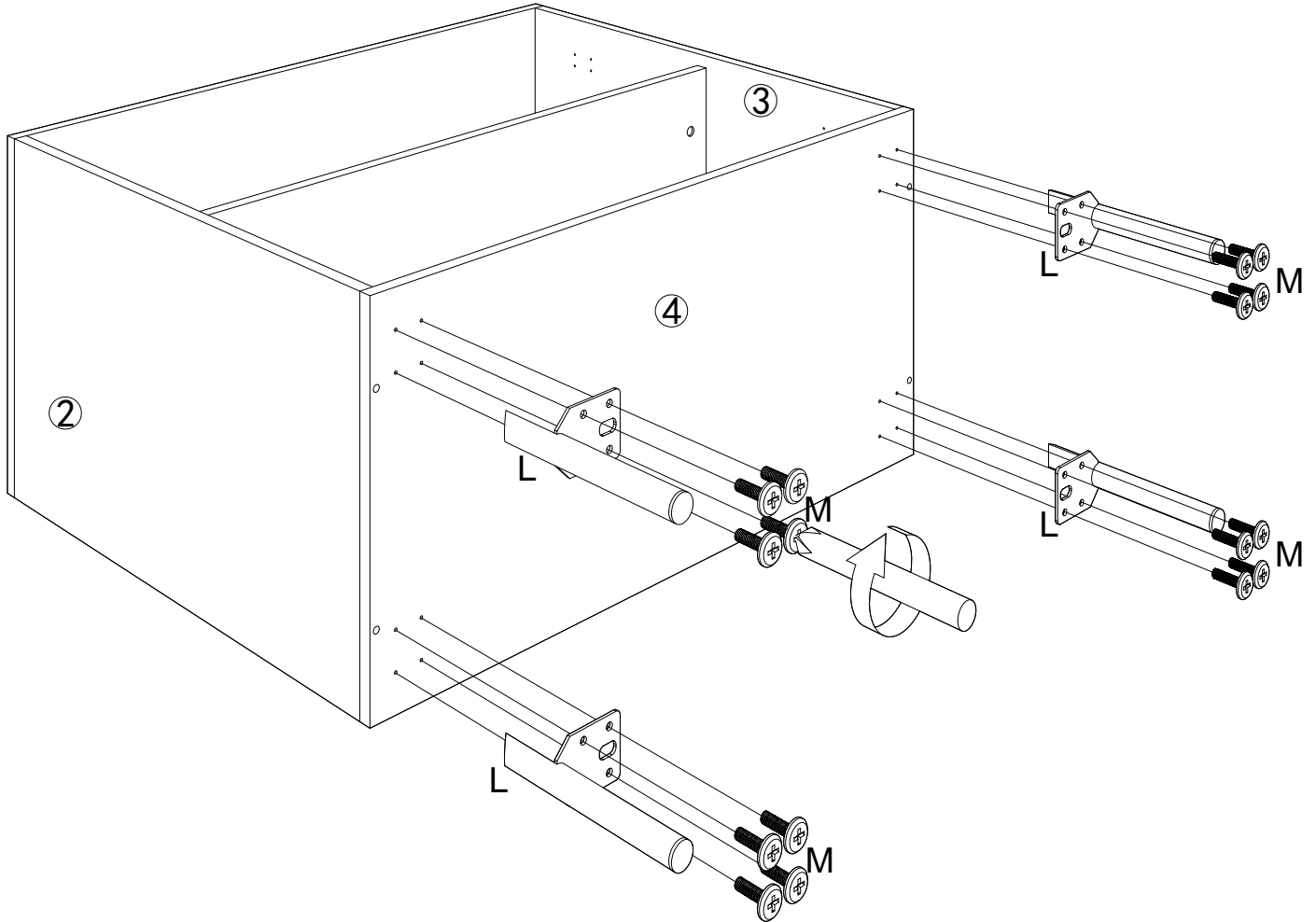
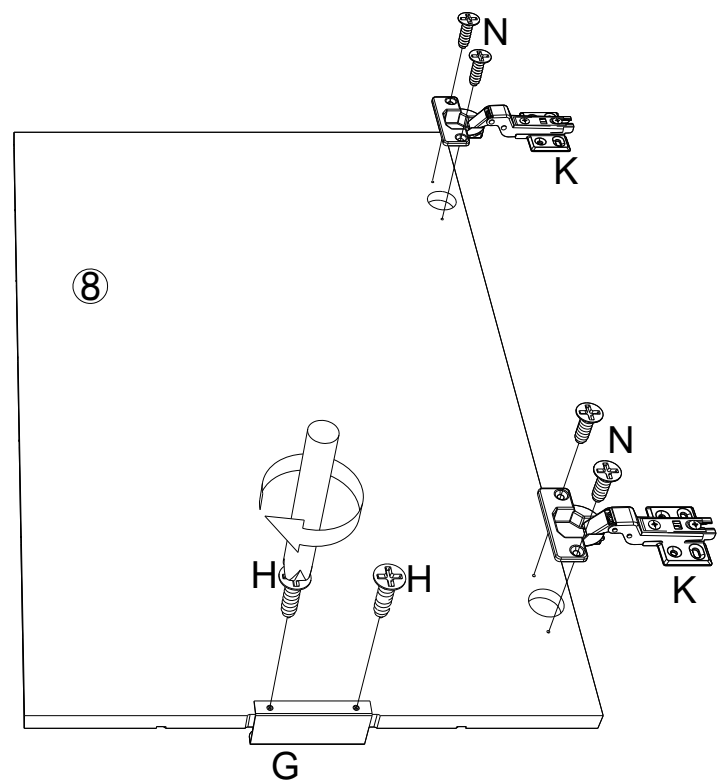
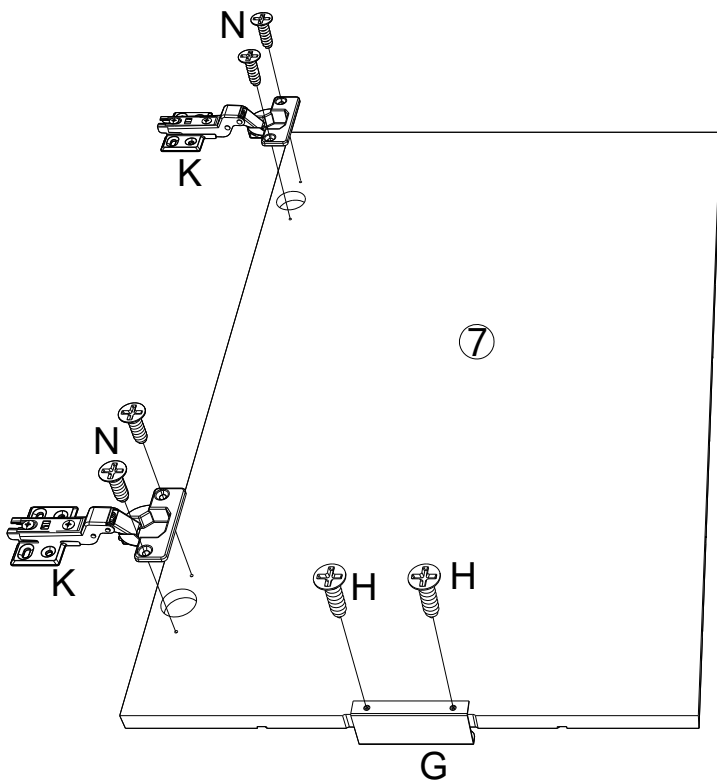


STEP 8



FX4

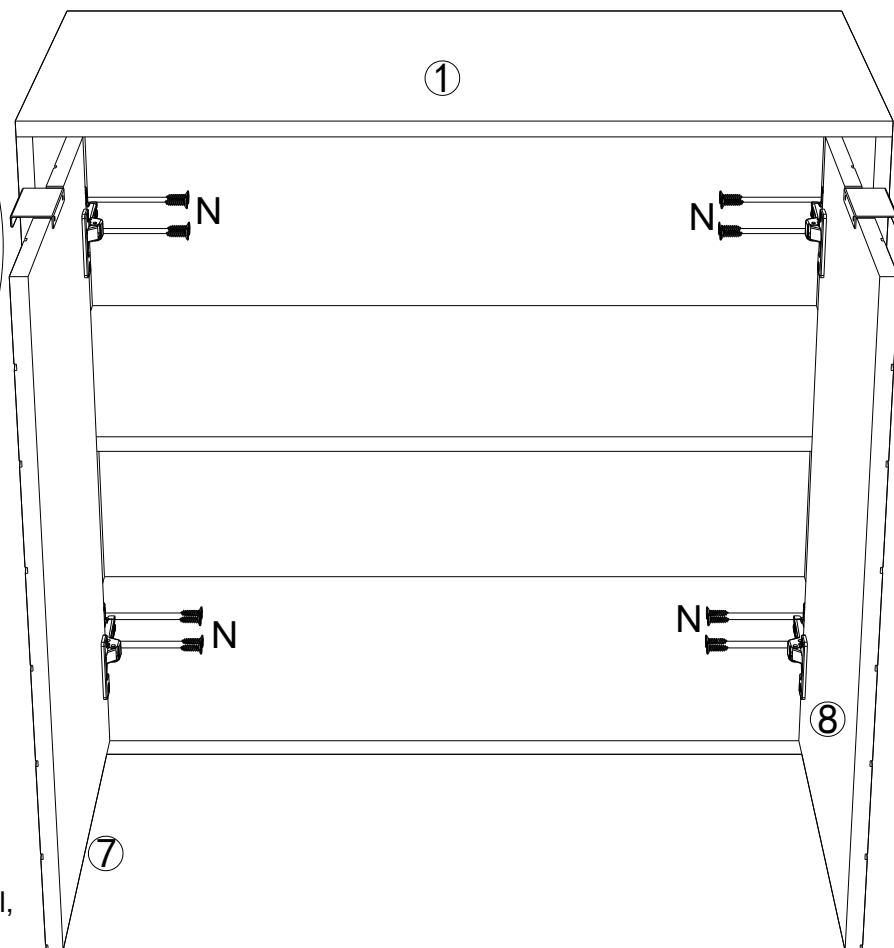
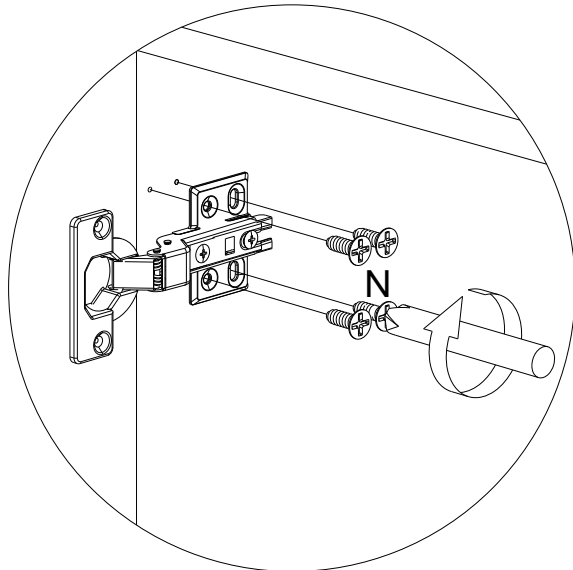


STEP 9**STEP 10**

STEP 11



NX16

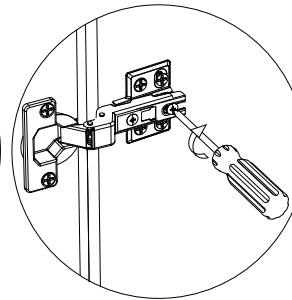
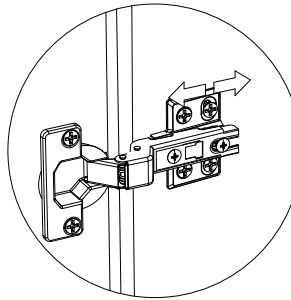
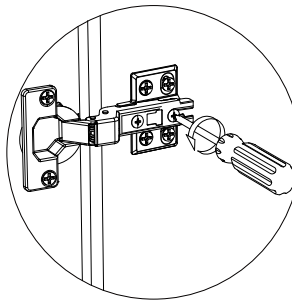
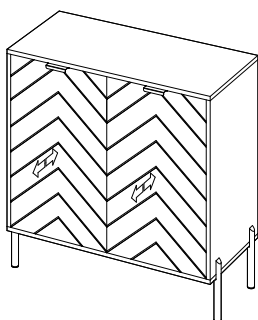
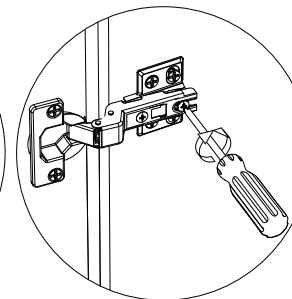
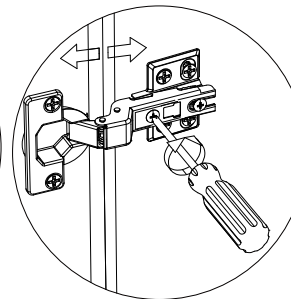
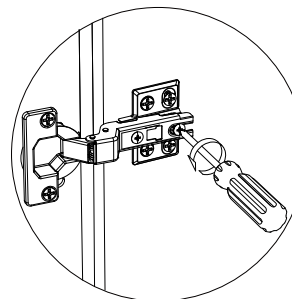
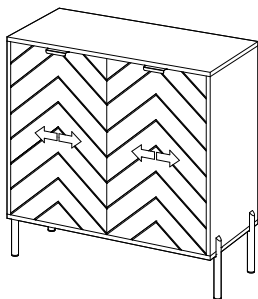
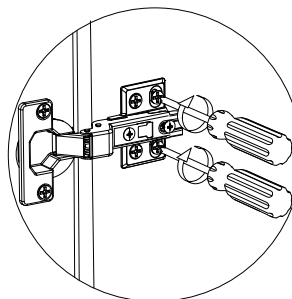
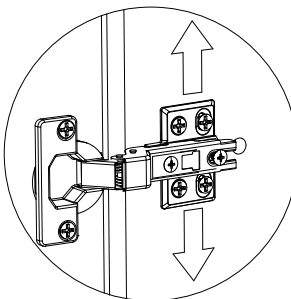
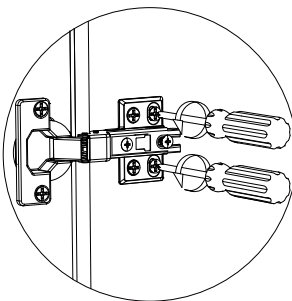
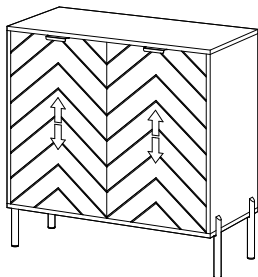


Assemble these four holes first, adjust the door and ensure it is level, then tighten all screws.

How to adjust the door and ensure it is level, please see the below information.



INFORMATION



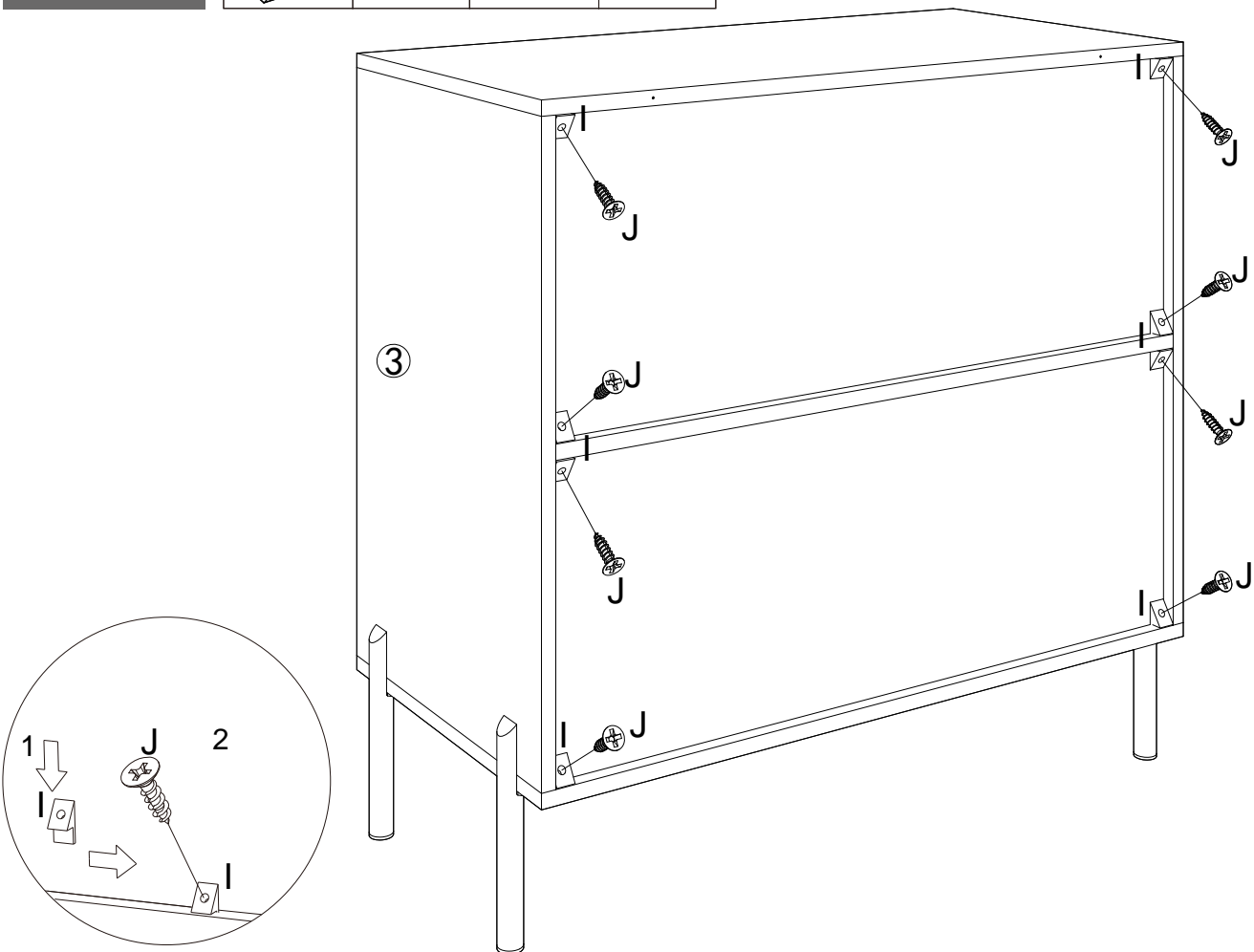
STEP 12



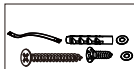
IX8



JX8



STEP 13



DX2

WALL

