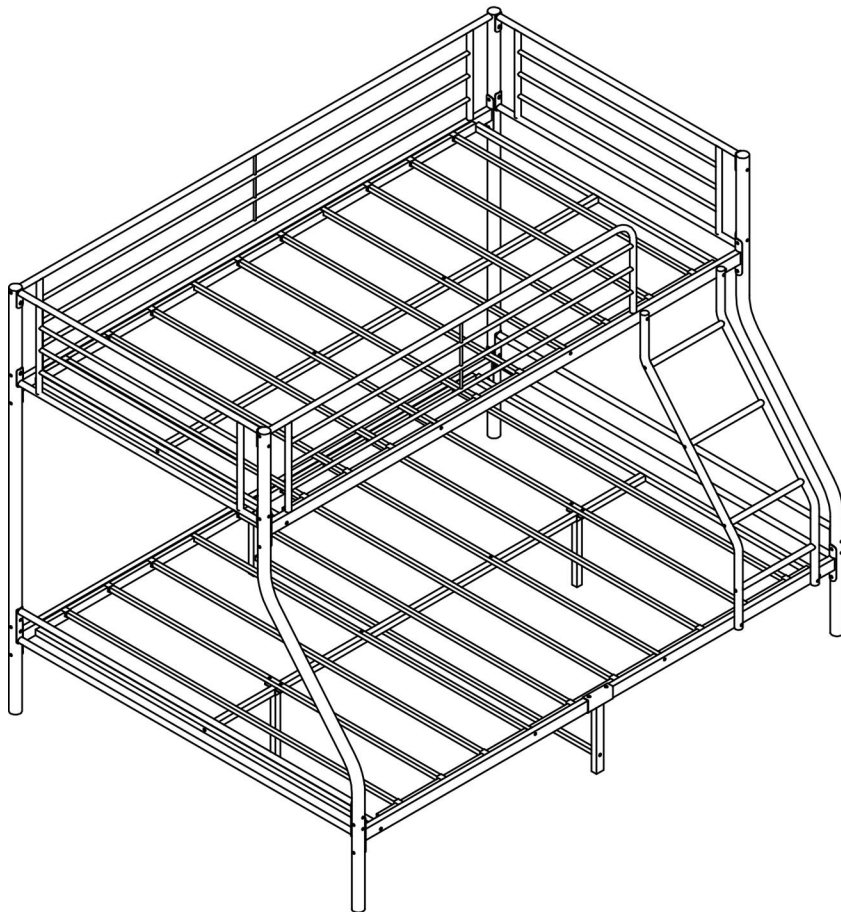


ASSEMBLY INSTRUCTION

MODEL NUMBER : BF-731



WARRANTY:

We stand behind our products & service with confidence! If parts damaged or missing please feel free to contact us for a FREE REPLACEMENT.

We warranty this product to be free from defects in materials. This warranty covers one year from the date of original purchase.

NOTES:

- The item is only intended to be used indoors. The product must be assembled and used in accordance with the provisions of the manual.
- It is recommended that assembly is undertaken by about 2 adults. Please read assembly instructions before assembly and strictly adhere to each step outlined. Estimated assembly time is 30 minutes.





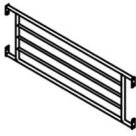
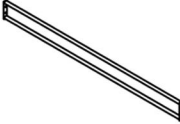
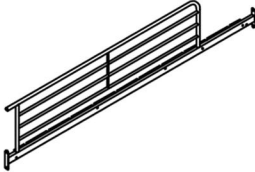
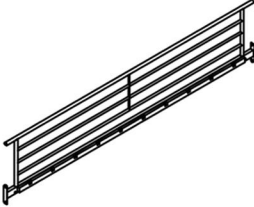

























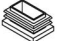

WARNING:

- **WARNING FOR YOUNG CHILDREN** - This product contains small components, please ensure that they are kept away from small children while assembling.

For assistance, please call (320)228-9220 or email after-sales-service-desk@outlook.com.

1

PARTS LIST

 1PC	 1PC	 1PC	 1PC	 2PCS	 2PCS	 1PC	 1PC	 1PC	 1PC	 2PCS	
 2PCS	 2PCS	 2PCS	 8PCS	 2PCS	 2PCS	 6PCS	 2PCS	 2PCS	 1PC	 2PCS	 4PCS
 1/4*55 4PCS	 1/4*50 35PCS	 1/4*45 4PCS	 1/4*40 12PCS	 1/4*35 22PCS	 1/4*28 4PCS	 16PCS	 44PCS	 2PCS	 2PCS	 2PCS	 2PCS

IMPORTANT:

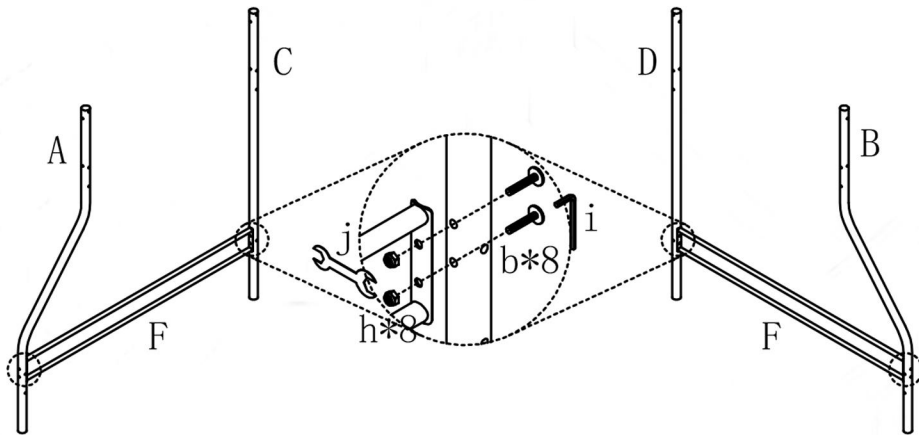
Please check parts list before you start to assembly. If parts damaged or missing. Contact your seller for a FREE REPLACEMENT. Please provide your order number, a brief message about the issue, and your shipping address. Thank you!

For assistance, please call (320)228-9220 or email after-sales-service-desk@outlook.com.

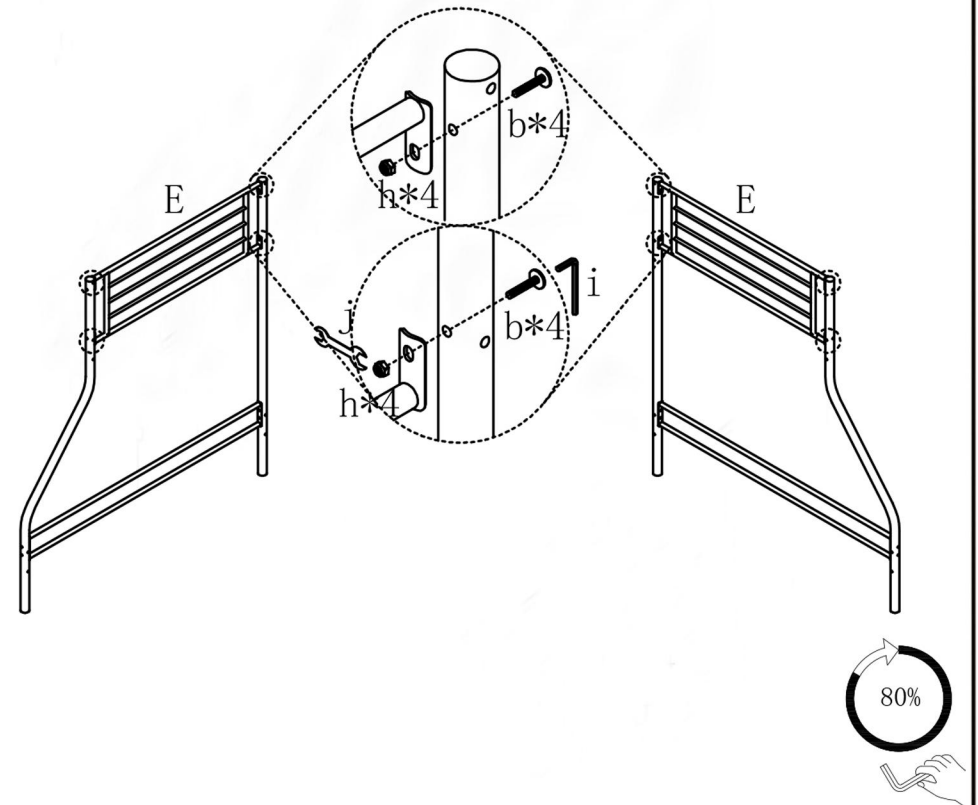
2

NOTE: PLEASE DO NOT TIGHTEN THE BOLTS UNTIL ALL FIXED

①



②

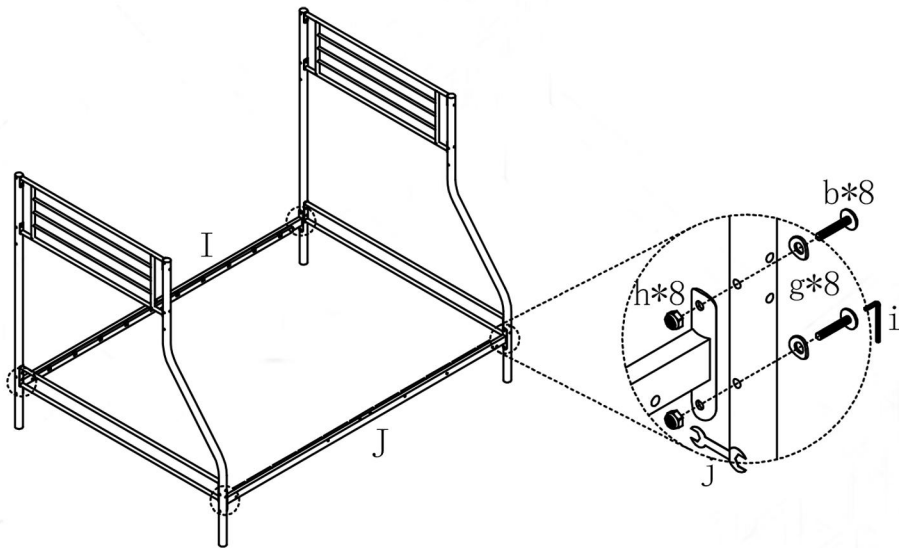


For assistance, please call (320)228-9220 or email after-sales-service-desk@outlook.com.

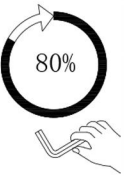
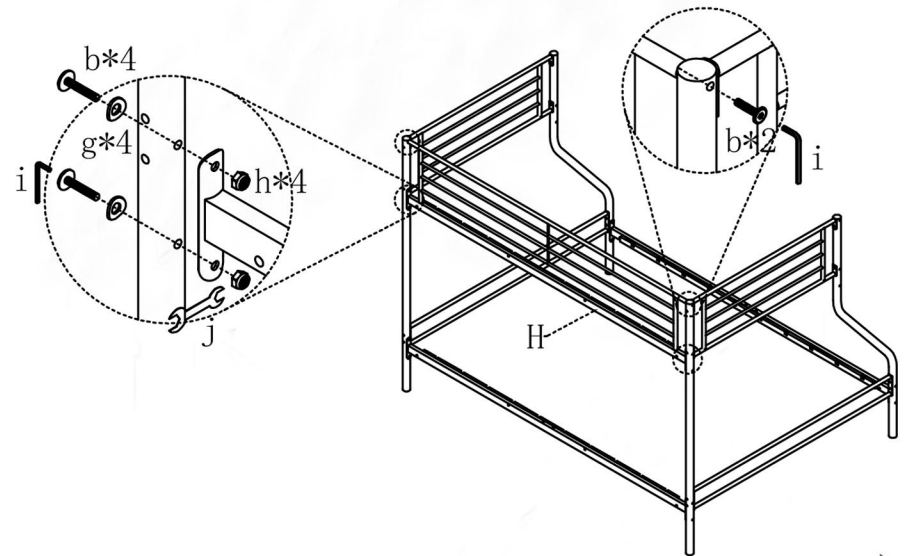
3

NOTE: PLEASE DO NOT TIGHTEN THE BOLTS UNTIL ALL FIXED

3



4

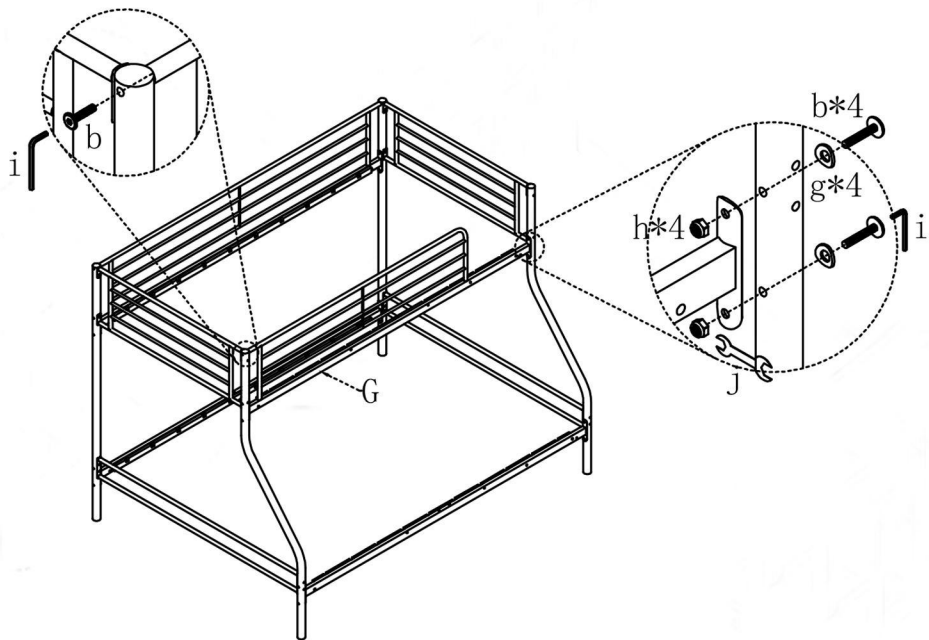


For assistance, please call (320)228-9220 or email after-sales-service-desk@outlook.com.

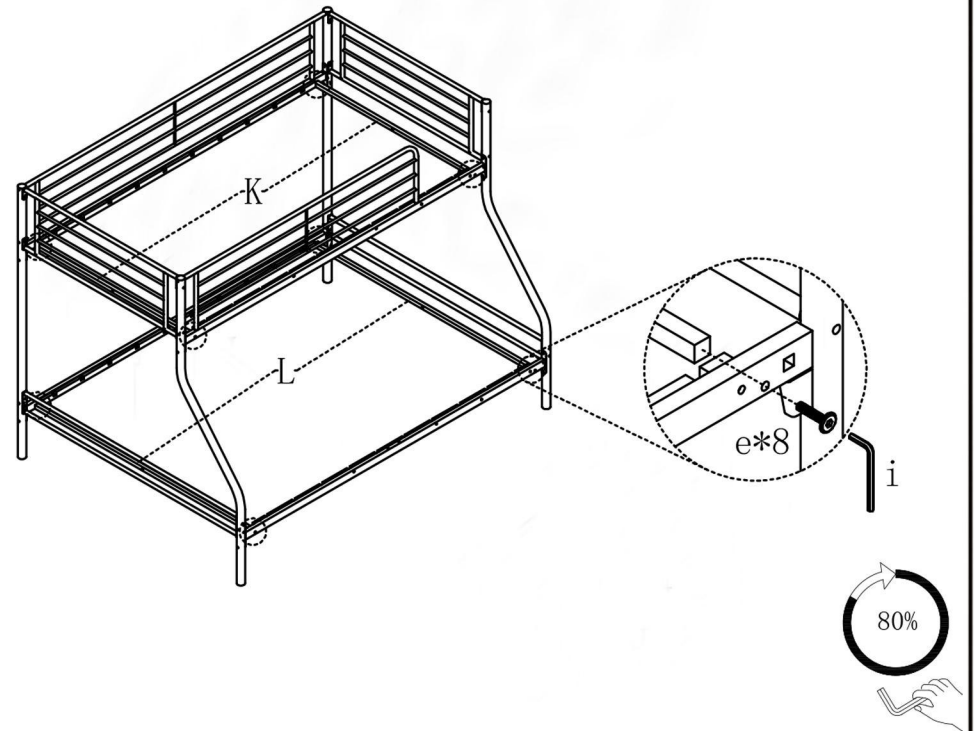
4

NOTE: PLEASE DO NOT TIGHTEN THE BOLTS UNTIL ALL FIXED

5



6

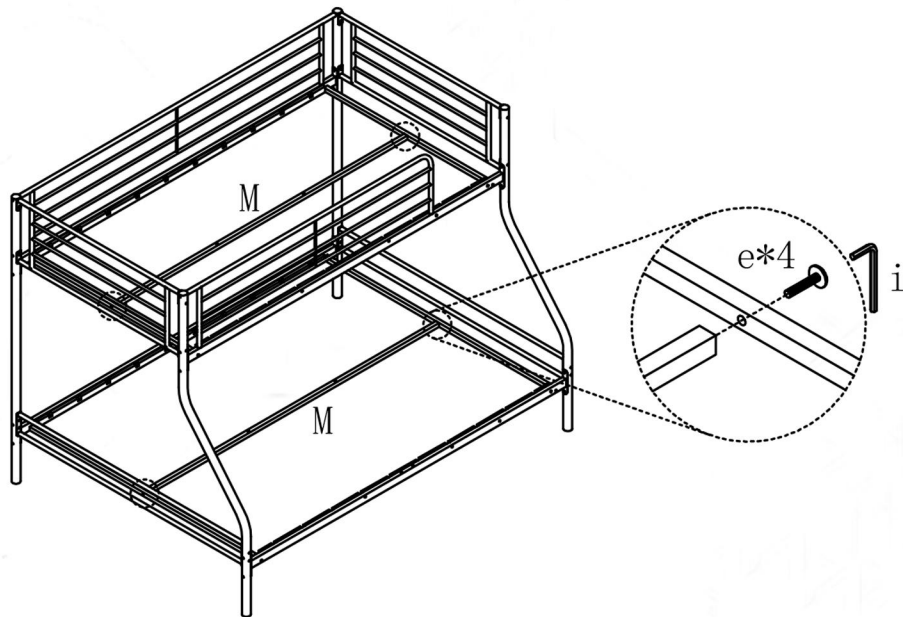


For assistance, please call (320)228-9220 or email after-sales-service-desk@outlook.com.

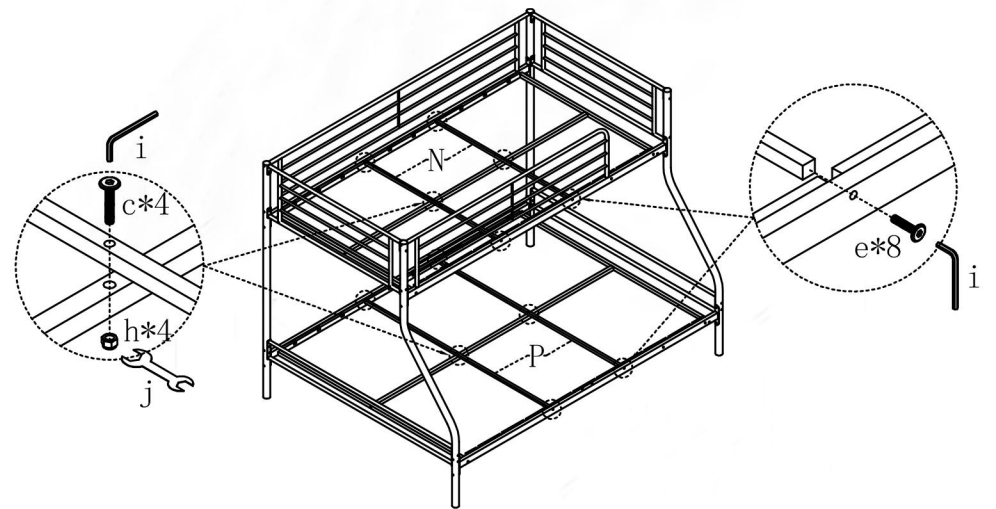
5

NOTE: PLEASE DO NOT TIGHTEN THE BOLTS UNTIL ALL FIXED

7



8

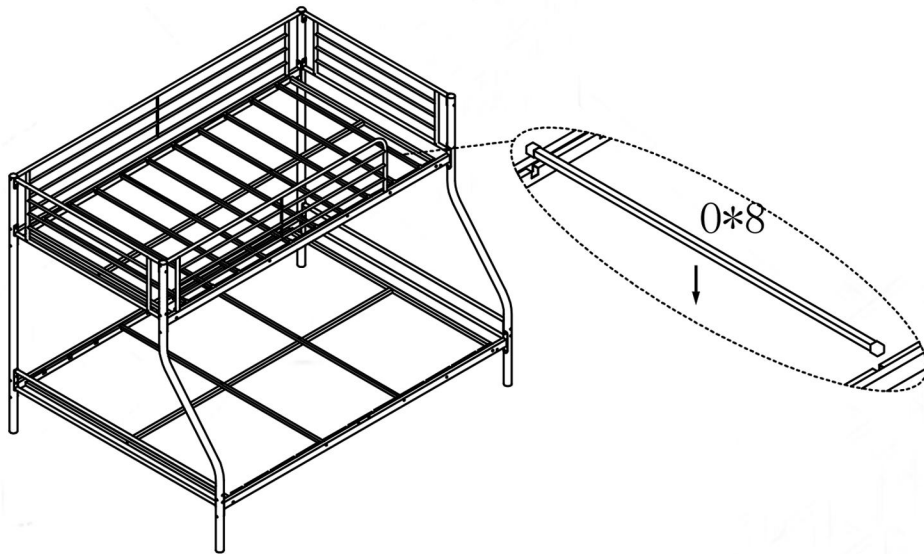


For assistance, please call (320)228-9220 or email after-sales-service-desk@outlook.com.

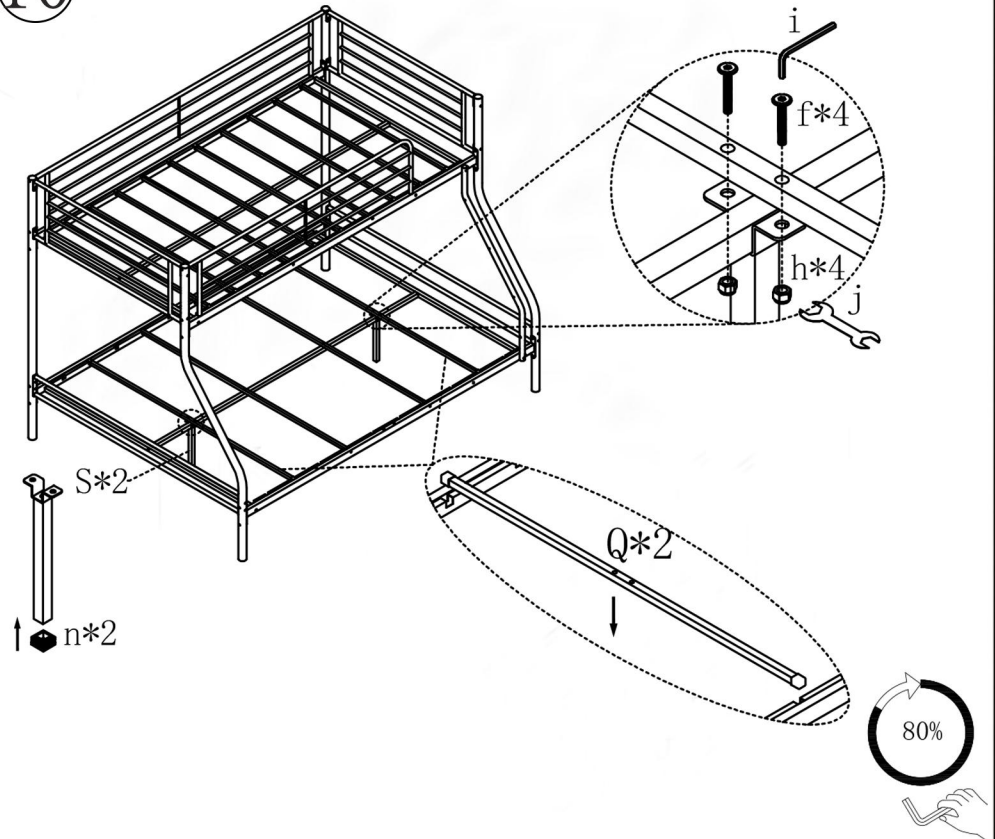
6

NOTE: PLEASE DO NOT TIGHTEN THE BOLTS UNTIL ALL FIXED

9



10

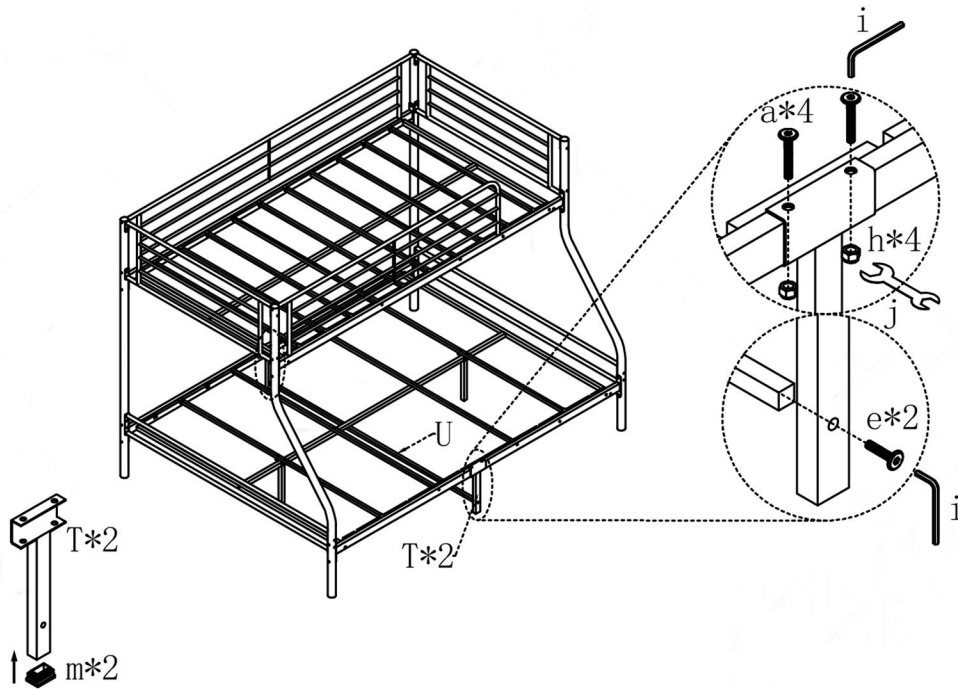


For assistance, please call (320)228-9220 or email after-sales-service-desk@outlook.com.

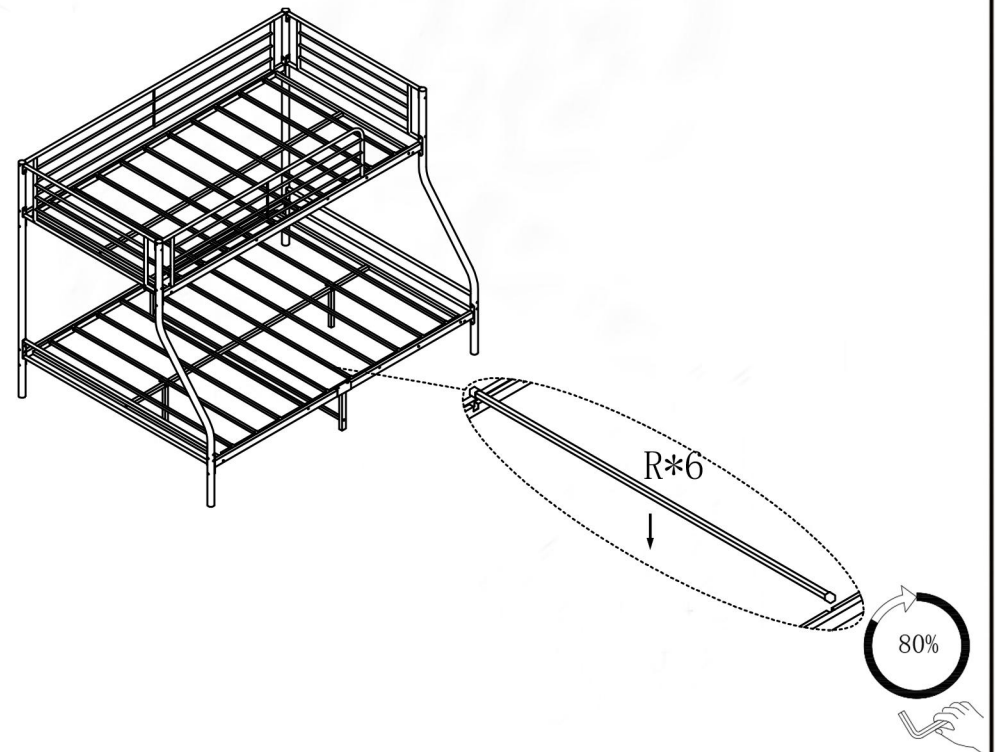
7

NOTE: PLEASE DO NOT TIGHTEN THE BOLTS UNTIL ALL FIXED

11



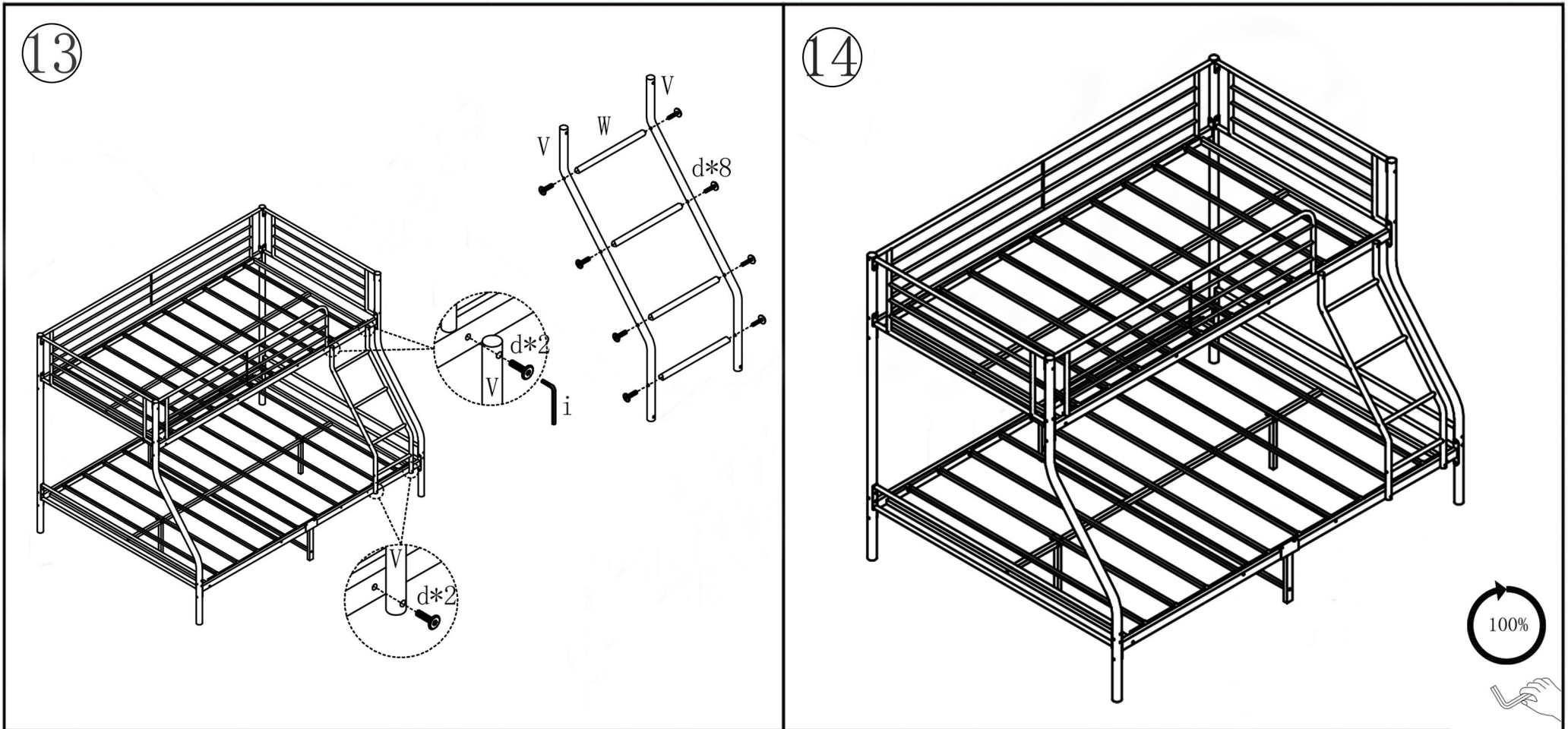
12



For assistance, please call (320)228-9220 or email after-sales-service-desk@outlook.com.

8

NOTE: PLEASE DO NOT TIGHTEN THE BOLTS UNTIL ALL FIXED



IMPORTANT: Please completely tighten all the bolts and nuts.

For assistance, please call (320)228-9220 or email after-sales-service-desk@outlook.com.