

BATHROOM MEDICINE CABINET

INSTALLATION MANUAL

CONTACT US

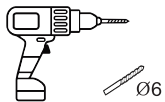
Thank you for shopping with us! We hope that our products have added a touch of brightness to your life. If you need any assistance, please don't hesitate to reach out. Our dedicated team is available 24/7 to ensure your satisfaction.

✉ MC@ZRSupport.com ☎ 1-888-204-3326 📌 ZRSupport

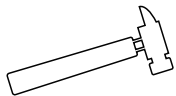
BEFORE INSTALLATION

Thank you for choosing our products. To ensure the best possible experience, **please read carefully and follow the instructions provided below before assembling and installing the product.**

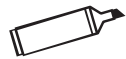
INSTALLATION TOOLS



Electric Drill



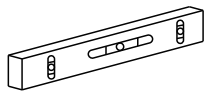
Hammer



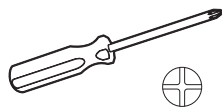
Marker



Tape Measure



Level



Phillips Screwdriver



Safety Goggles

HOW TO CLEAN

When cleaning the mirror, please follow these steps:

1. Use a soft, non-abrasive cloth to clean the mirror. Avoid using rough or abrasive materials that may damage the surface.

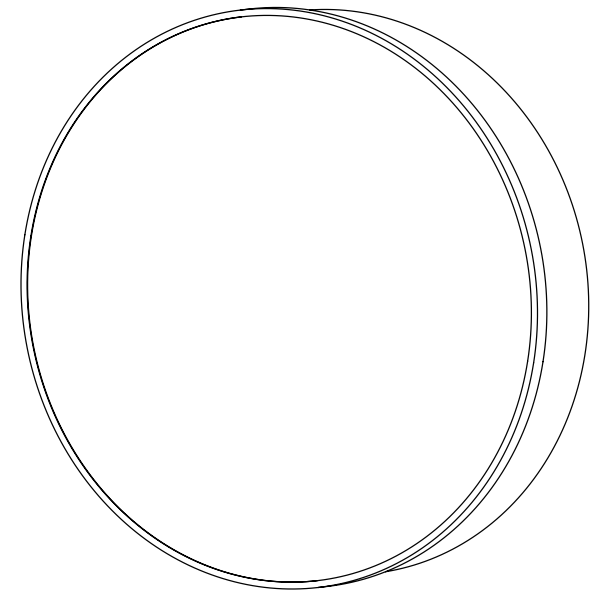
2. Do not use any cleaning agents that may cause irritation or damage to the mirror's finish. Instead, use any of the recommended cleansers to remove dirt and grime:

Gentle liquid detergents Colorless cleansers

3. If any adhesive residue left, please wipe it off with a cloth dipped in water (instead of detergents).

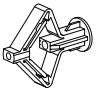
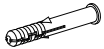



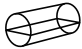
★ Warranty

A two-year warranty from the date of your purchase.



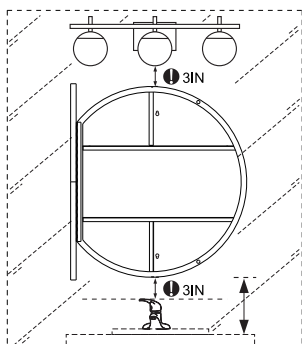
If you have any questions, please feel free to contact us via
MC@ZRSupport.com

PACKING LIST

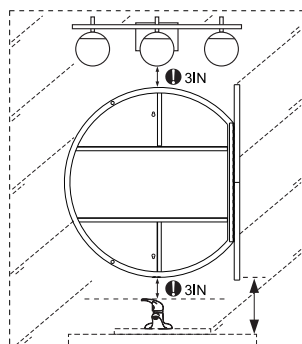
					
Wall anchor-A	Wall anchor-B	Short screw	Long screw	Sticker	Bubble level

INSTALLATION: SURFACE-MOUNTED

You can choose the following installation methods: 1、 Surface-mount only 2、 Reversible for installation

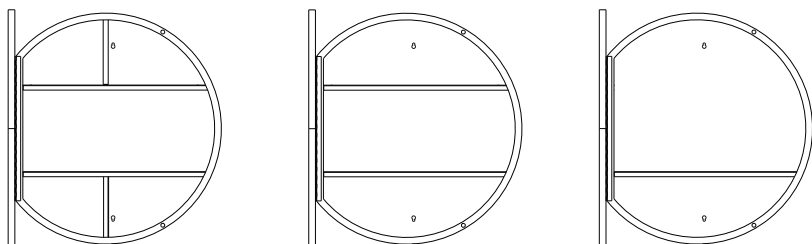


Left -hand door swing



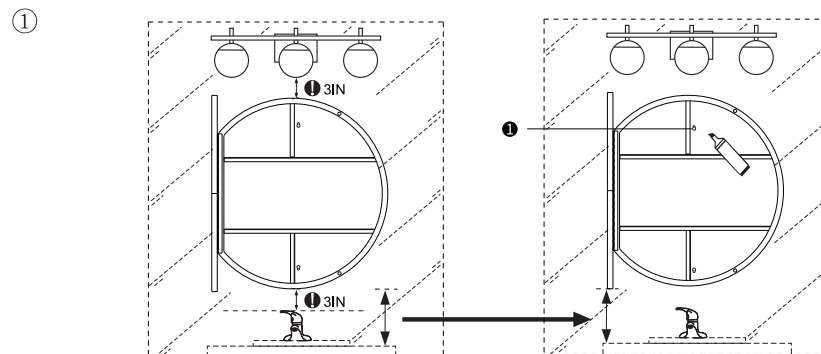
Right -hand door swing

The detachable shelves & dividers inside this round medicine cabinet enable you to adjust the interior layout to your liking.



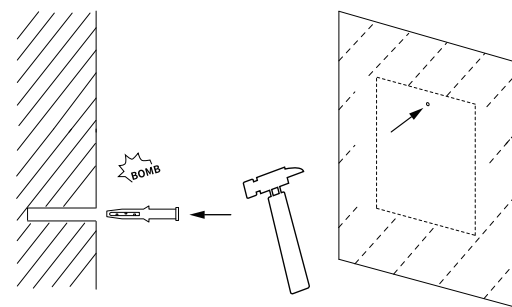
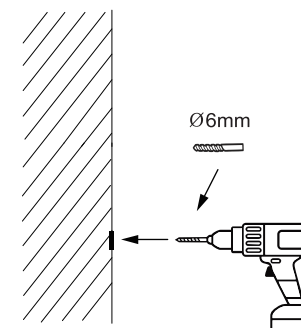
Once confirm how the door swings, please follow the instructions below and assemble the parts.

1. Place the medicine cabinet against the wall and mark spot ❶ on the wall (❶). Put the cabinet down, drill at the marked spot and apply a wall anchor (❷).

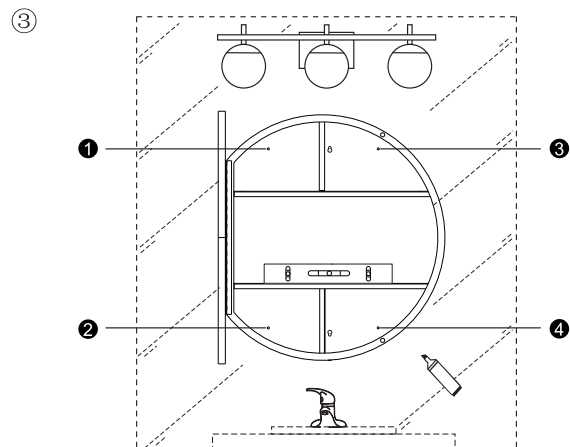
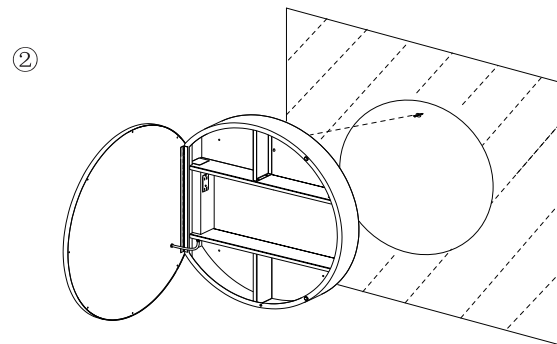
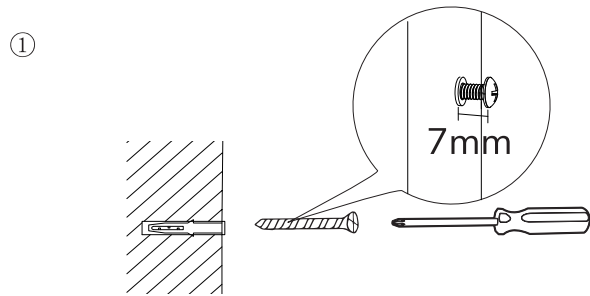


Note: Please hang the cabinet at least 3 inches above the faucet.

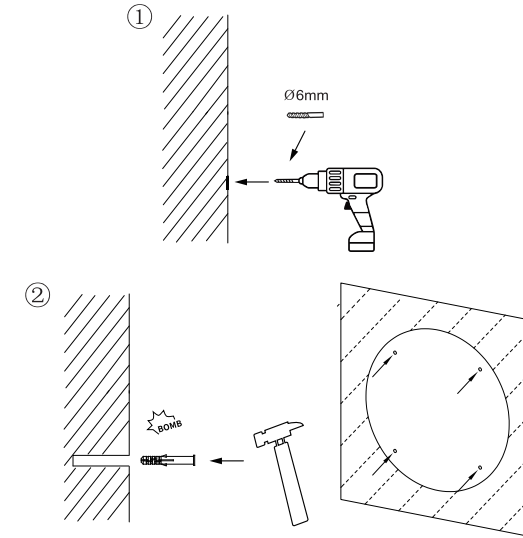
❷

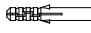

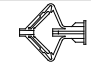



2. Fit a screw into the anchor, but leave a 7mm gap between the screw head and the wall (①). Hang the medicine cabinet on it (②), which can lighten the load and make it easier to hold the cabinet and mark the rest 4 spots ①②③④ with the help of a level (③).

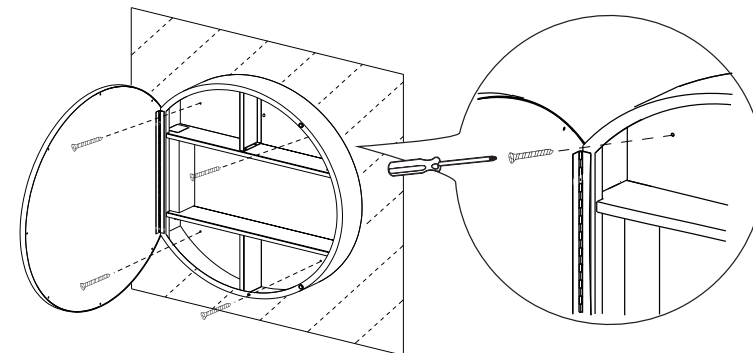


3. Put the medicine cabinet down, drill at the marked spots (①) and apply wall anchors (②).



Thickness of Wall :	Recommended Drill Bit :
> 5/8" (16mm)	1/4" (6mm) drill bit, drilling depth in 1 31/32" (50mm)  
5/16" (8)-5/8" (16mm)	25/64" (10mm) drill bit  
< 5/16" (8mm)	Unapplicable

4. Align the medicine cabinet with the screw holes on the wall and secure it in place with four screws at the corners. Apply stickers to cover the keyhole and screws installed.



Done, enjoy !