

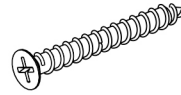
Ax71



a x71



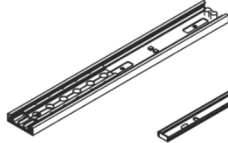
B x40



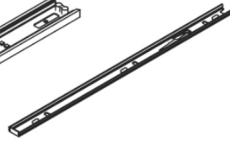
C x16



D\*1



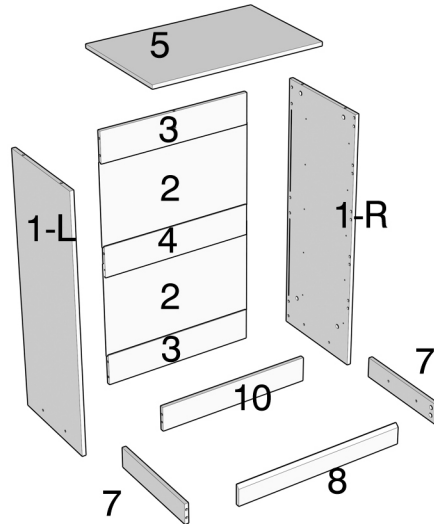
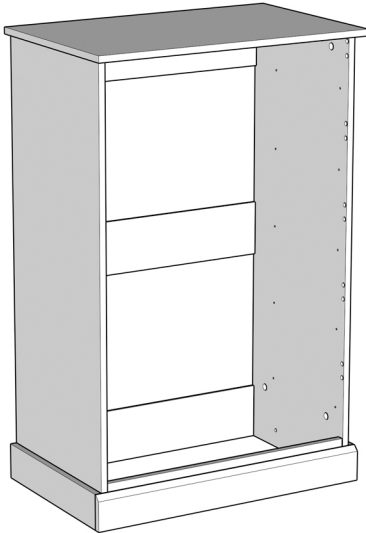
E x10



F x10



G x 4



### Cabinet frame

1-L and 1-R are the left and right side panels

2 is the backboard

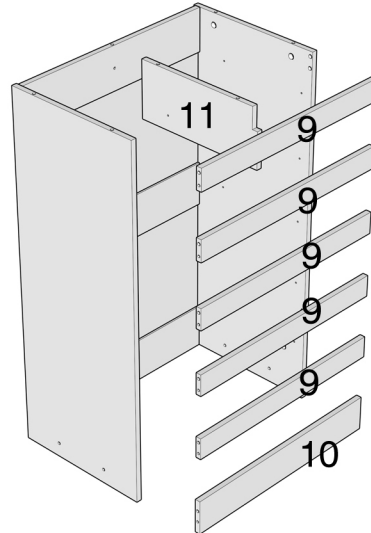
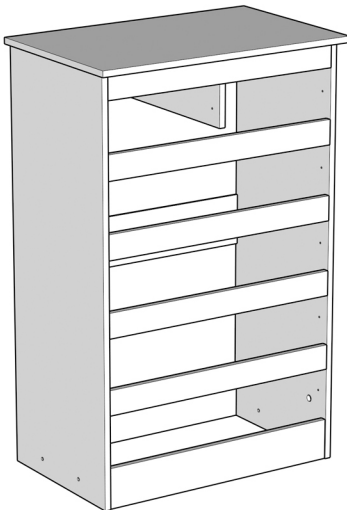
3 is the rear panel (with a single-sided groove)

4 is the rear panel (with double-sided grooves)

5 is the top plate

7 is the left and right decorative panels

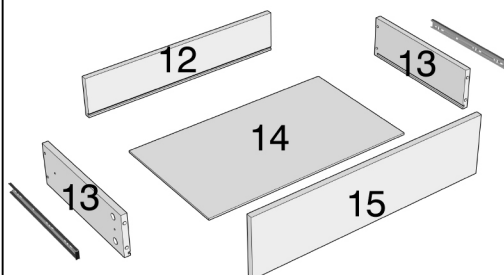
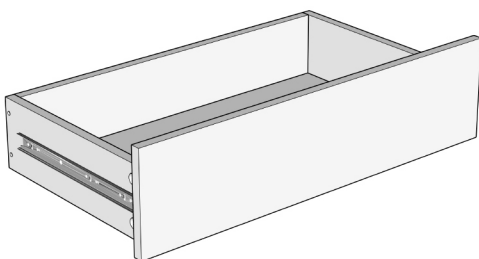
8 is the front decorative panel



### Front panel of cabinet

9-10 is the connecting plate

11 is the vertical board between two drawers



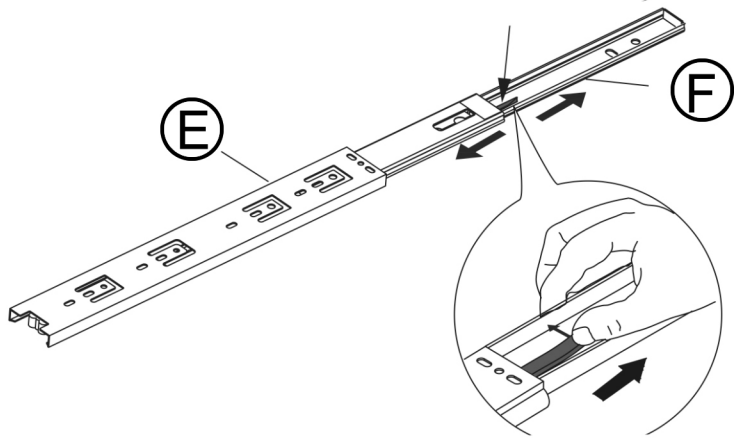
### Drawer structure

12 is the back panel of the drawer

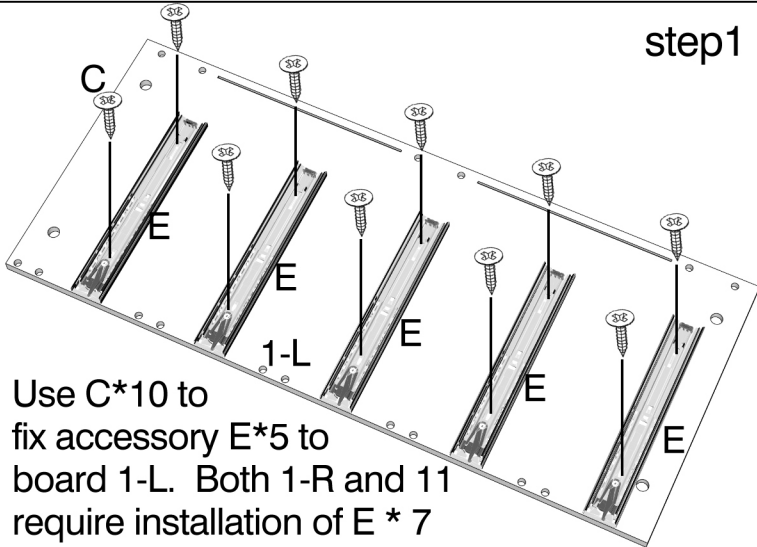
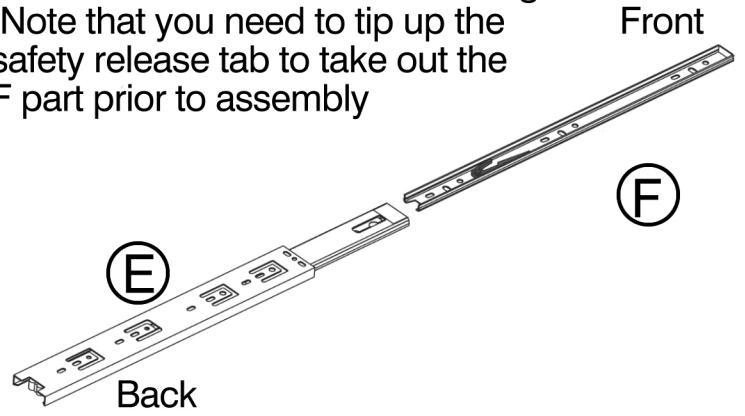
13 is the left and right side panels of the drawer

14 is the bottom plate of the drawer

15 is the panel of the drawer



E and F are shipped together to maintain the oil for the ball bearings. Note that you need to tip up the safety release tab to take out the F part prior to assembly

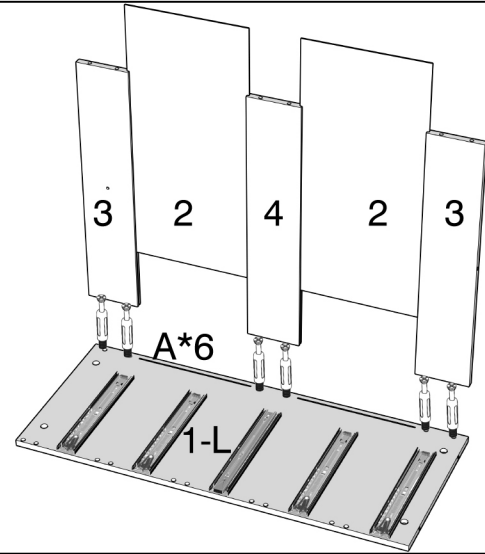


step 1

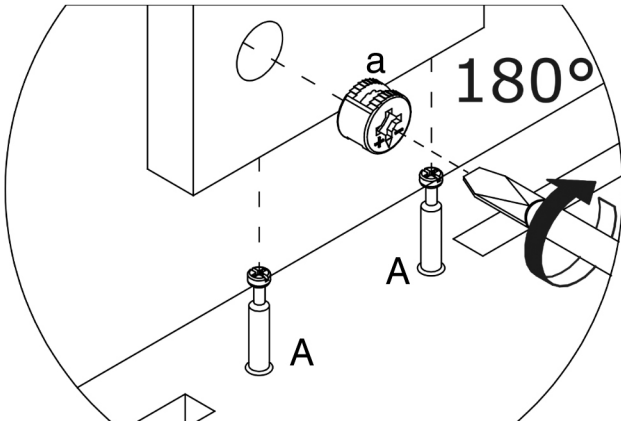
Use C\*10 to fix accessory E\*5 to board 1-L. Both 1-R and 11 require installation of E \* 7

step 2

Use screw A\*6 to connect plates 1-L and plates 3 and 4. Plate 2 is inserted along the groove

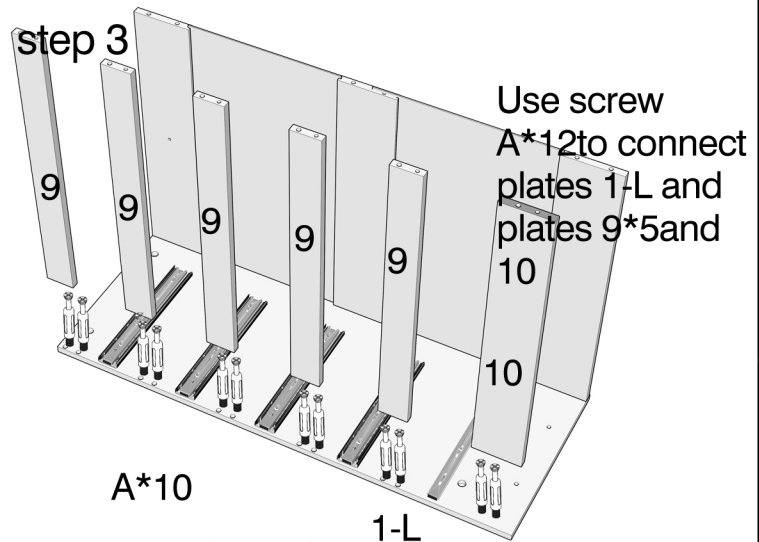


Step 1: Detailed explanation of screw usage

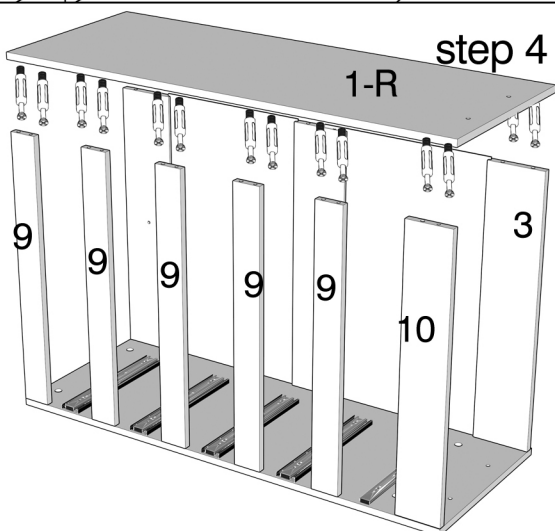


step 3

Use screw A\*12 to connect plates 1-L and plates 9\*5 and 10



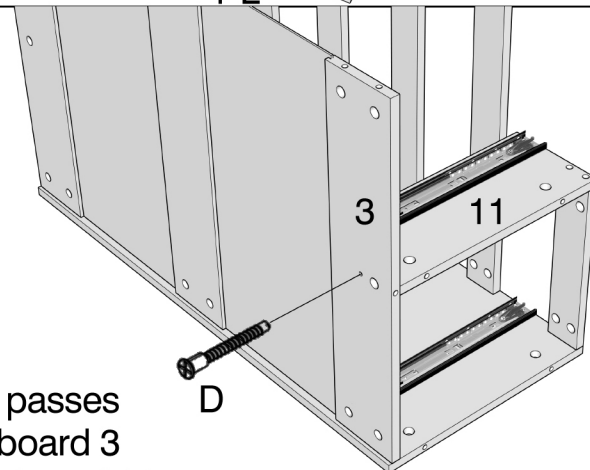
Use screw A\*18 to connect plates 1-R TO plates 3-4-9-10

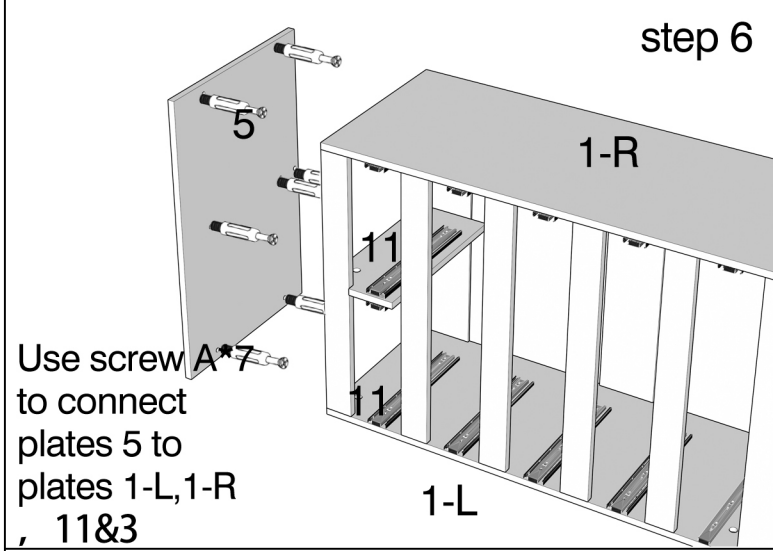


step 4

step 5

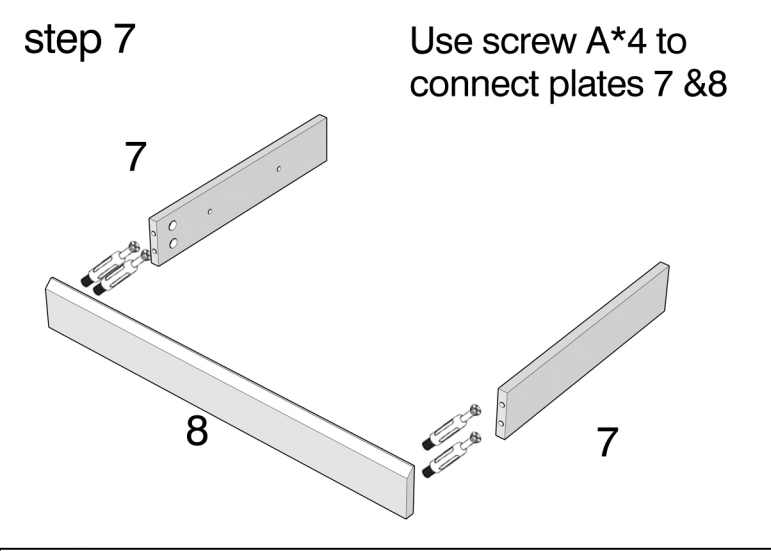
Screw D passes through board 3 and fixes board 11





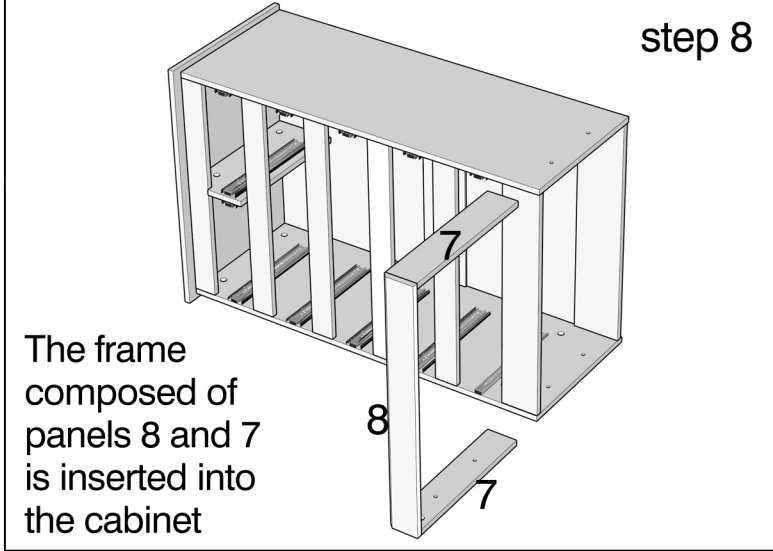
step 6

Use screw A\*7 to connect plates 5 to plates 1-L, 1-R, 11&3



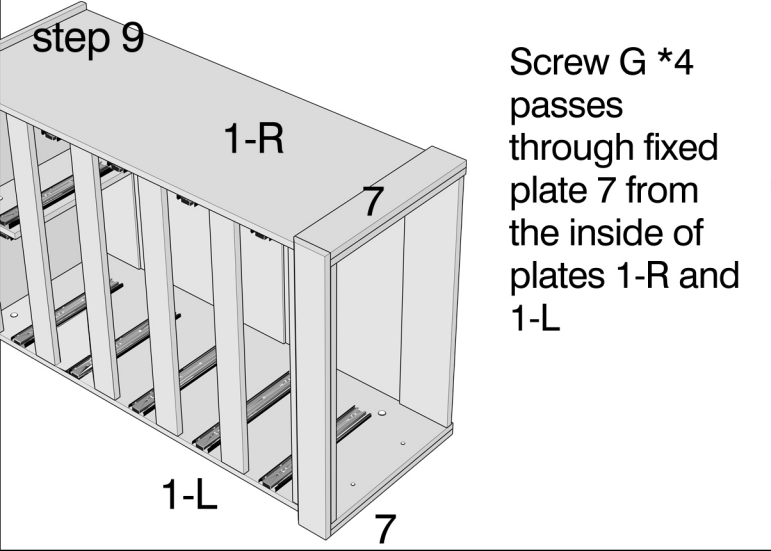
step 7

Use screw A\*4 to connect plates 7 & 8



step 8

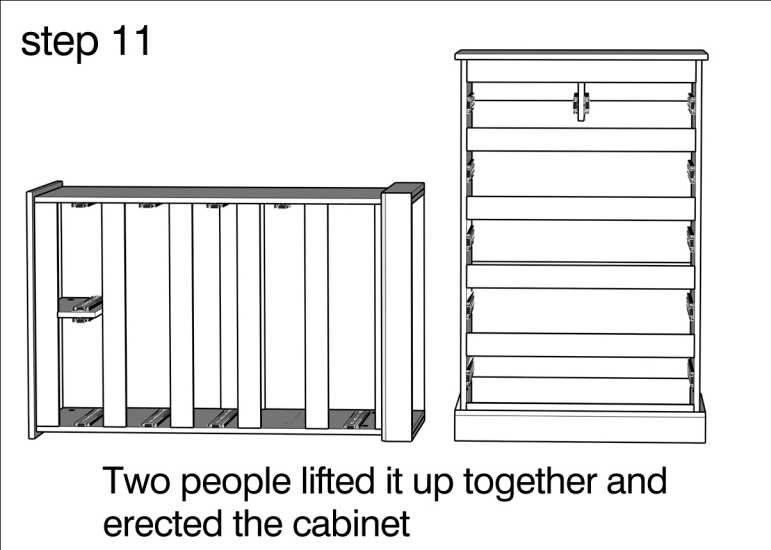
The frame composed of panels 8 and 7 is inserted into the cabinet



step 9

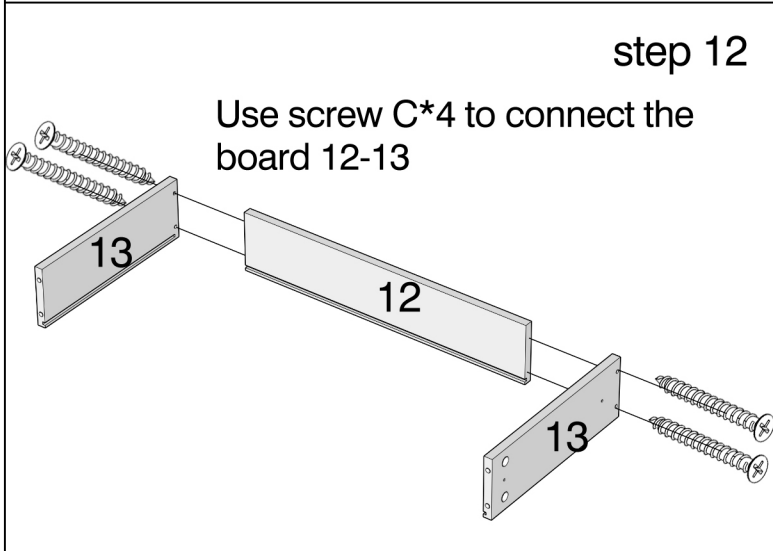
Screw G\*4 passes through fixed plate 7 from the inside of plates 1-R and 1-L

After completing this step, be sure to check if all the screws are firmly fixed and if the board is not visibly shaking before performing the next step



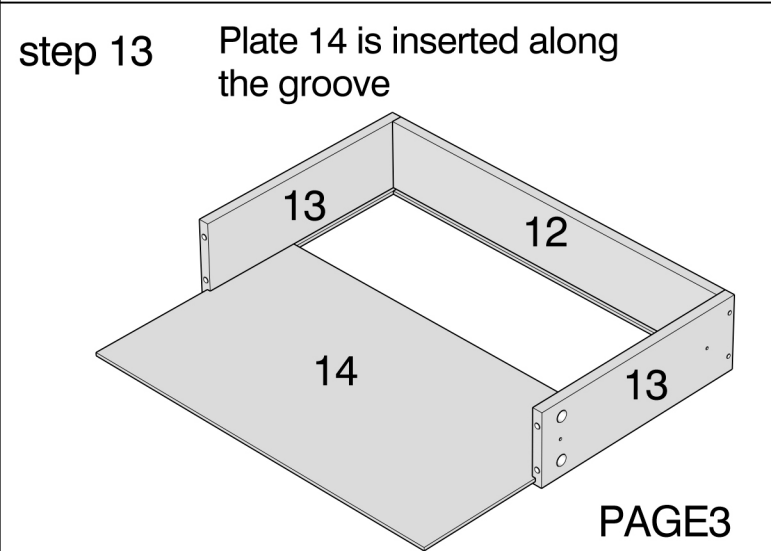
step 11

Two people lifted it up together and erected the cabinet



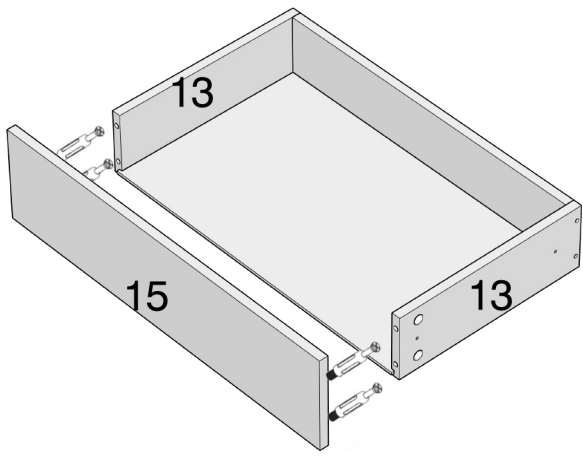
step 12

Use screw C\*4 to connect the board 12-13



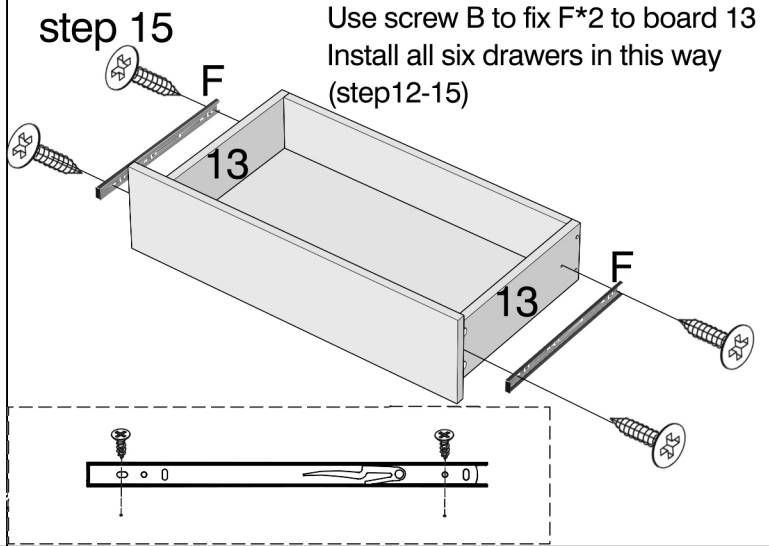
step 13

Plate 14 is inserted along the groove



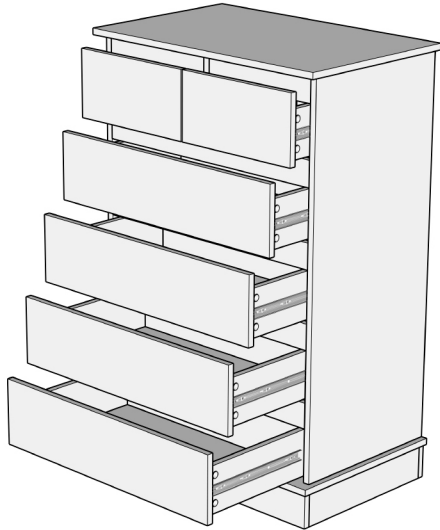
step 14

Use screw A\*4 to connect plates 15-13\*2



step 15

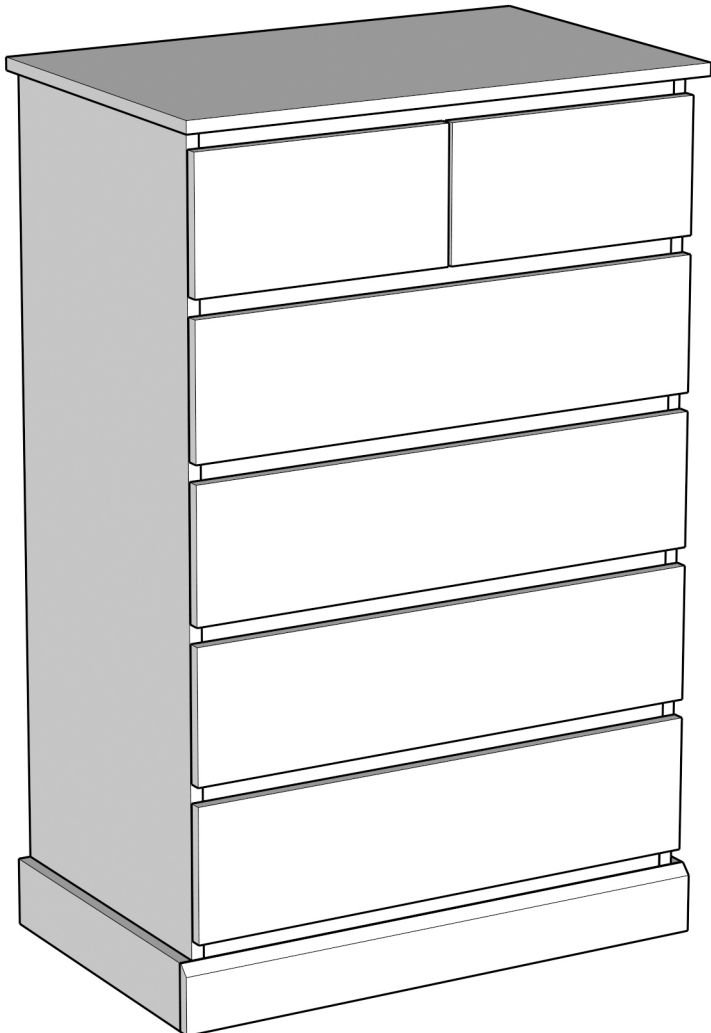
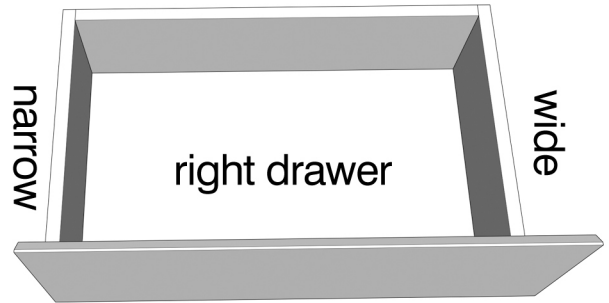
Use screw B to fix F\*2 to board 13  
Install all six drawers in this way  
(step12-15)



step 16

Align the guide rail and insert six drawers..The two small drawers on the top are designed to distinguish between left and right installation, which requires attention

The drawer is distinguished by its left and right sides  
The right drawer will be wider on the right side  
The difference is not very obvious, but if you pay attention, you will find it.



# Congratulations