

Features

- Two-function pull-down sprayhead allows you to switch from aerated stream to Sweep® spray.
- Sweep® spray features specially angled nozzles that form a wide, powerful blade of water to sweep your dishes and sink clean.
- ProMotion® technology's light, quiet braided hose and swiveling ball joint make the pull-down sprayhead easier and more comfortable to use.
- MasterClean™ sprayface features an easy-to-clean surface that withstands mineral buildup.
- High-arch spout offers vertical clearance for tall cookware and pitchers.
- Single lever handle makes adjusting water temperature easy.
- KOHLER ceramic disc valves exceed industry longevity standards for a lifetime of durable performance.
- 1.5 gpm (5.7 lpm) maximum flow rate at 60 psi (4.14 bar).
- Box includes: Assembled faucet, supply lines, soap/lotion dispenser, and escutcheon plate.
- DockNetik® secured docking system locks sprayhead into place when not in use.

Material

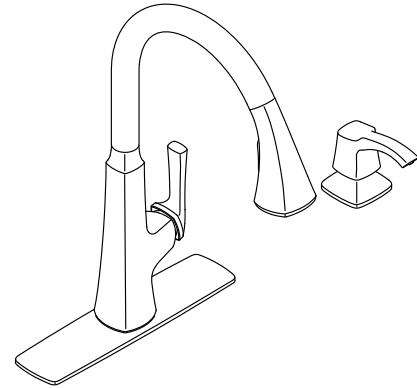
- Premium material construction for durability and reliability.
- KOHLER finishes resist corrosion and tarnishing.
- Select KOHLER finishes feature ScratchShield® technology which withstands even the toughest daily use.

Installation

- Installs with 1-, 2-, 3-, or 4-hole sinks.
- Flexible supply lines and quick-connect fittings simplify installation.
- Longer shank works with countertops up to 2-1/2" (63.5 mm) thick and is easy to install.

Recommended Products/Accessories

K-23723 Faucet cleaner



ADA

CSA B651

Codes/Standards

ASME A112.18.1/CSA B125.1

NSF/ANSI 61

NSF/ANSI 372

All applicable US Federal and State material regulations

DOE - Energy Policy Act 1992

California Energy Commission (CEC)

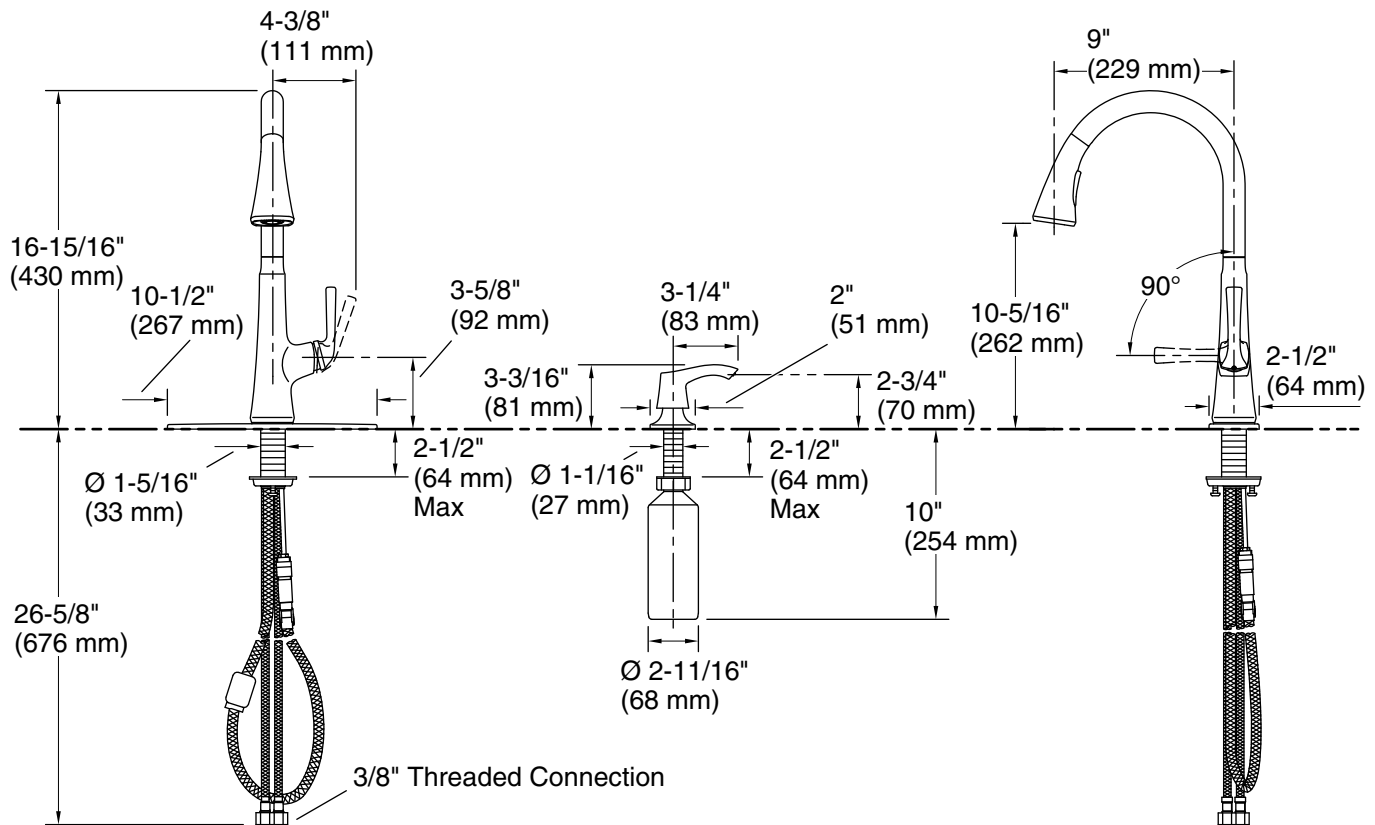
ADA

ICC/ANSI A117.1

CSA B651

KOHLER® Faucet Lifetime Limited Warranty

See website for detailed warranty information.



Technical Information

All product dimensions are nominal.

Drain included: No

Spout:

Spout reach: 9" (229 mm)

Notes

Install this product according to the installation instructions.

ADA, CSA B651 compliant when installed to the specific requirements of these regulations.