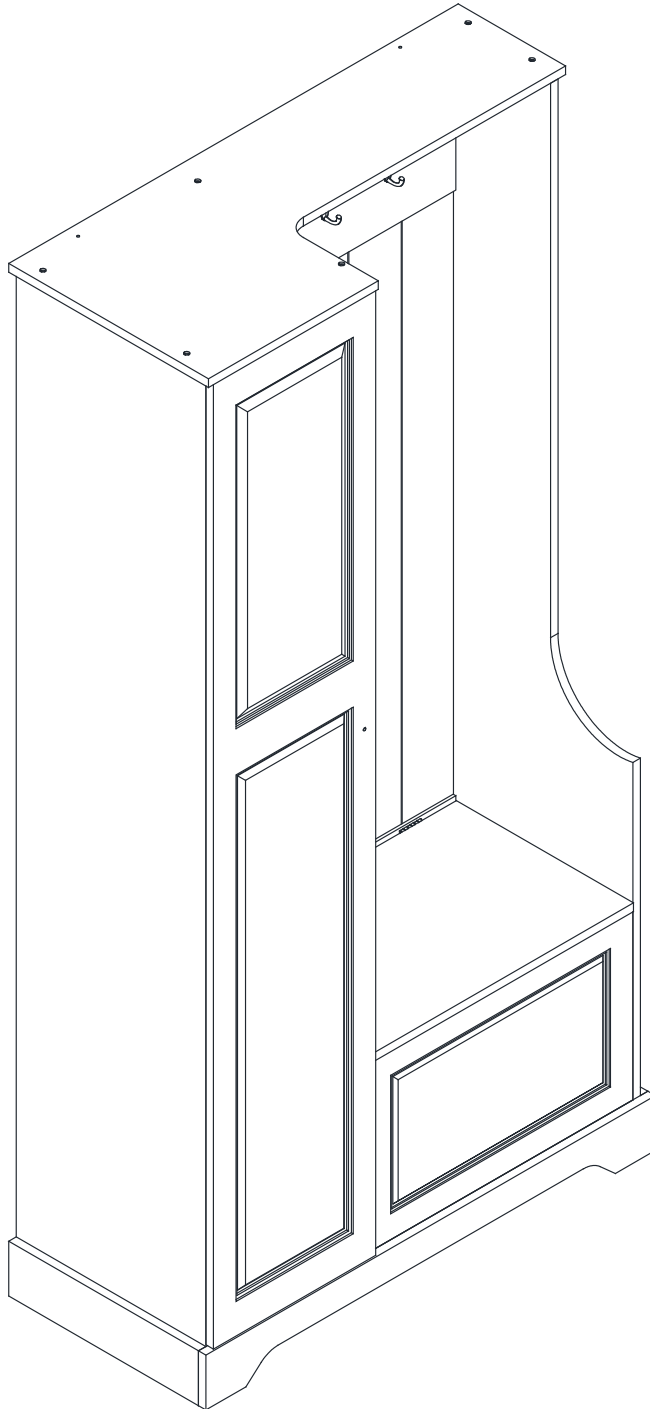


HALL TREE

Assembly Instructions - Please keep for future reference

If you have any questions,
please feel free to contact
us.
Email: lowesteam@aminalife.com



Dimensions

Width-53.43inch

Depth-15.35inch

Height-70.47inch

Important – Please read these instructions fully before starting assembly



Safety and Care Advice

Important – Please read these instructions fully before starting assembly

- Check you have all the components and tools listed on the following pages.
- Remove all fittings from the plastic bags and separate them into their groups.
- Keep children and animals away from the work area, small parts could choke if swallowed.
- Make sure you have enough space to layout the parts before starting.

- During assembly do not stand or put weight on the product, this could cause damage.
- Assemble the item as close to its final position (in the same room) as possible.
- Assemble on a soft level surface to avoid damaging the unit or your floor.
- Parts of the assembly will be easier with 2 people.



power drill is set on a low torque setting.

- To reduce the likelihood of damaging your product please ensure that your

Care and maintenance

- Only clean using a damp cloth and mild detergent, do not use bleach or abrasive cleaners.
- From time to time check that there are no loose screws on this unit.
- This product should not be discarded with household waste. Take to your local authority waste disposal centre.

Handy Hints

- Assemble all parts and bolts loosely during assembly, only once the product is complete should you fully tighten the bolts
- Regularly check and ensure that all bolts and fittings are tightened properly.

WARNING
In order to help prevent overturning – please follow these instructions

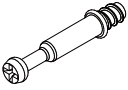

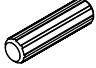








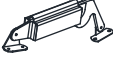
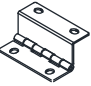






To help prevent product toppling over please follow the below steps:-

- Use the anti tip stap or wall fixing method provided (if applicable)
- Do not allow children to climb or hang on the furniture
- Do not open more than one drawer at a time
- Do not place heavy items in the top drawers
- Do not place heavy items on top of the furniture, unless the furniture has been designed for this purpose

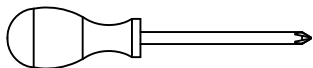
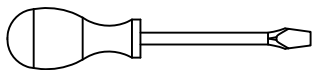
Components - Fittings

Please check you have all the panels listed below

Note: The quantities below are the correct amount to complete the assembly. In some cases more fittings may be supplied than are required.

<p>(A)</p>  <p>Cam Bolt x 28</p>	<p>(B)</p>  <p>Cam lock x 28</p>	<p>(C)</p>  <p>Dowel x 30</p>	<p>(D)</p>  <p>4*40mm Screw x 8</p>
<p>(E)</p>  <p>x 1</p>	<p>(F)</p>  <p>4*20mm Screw x 1</p>	<p>(G)</p>  <p>4*25mm Screw x 8</p>	<p>(H)</p>  <p>Hinge x 3</p>
<p>(I)</p>  <p>3.5*14mm Screw x 40</p>	<p>(J)</p>  <p>x 8</p>	<p>(K)</p>  <p>x 3</p>	<p>(L)</p>  <p>x 1</p>
<p>(M)</p>  <p>x 2</p>	<p>(N)</p>  <p>x 1</p>	<p>(O)</p>  <p>x 12</p>	<p>(P)</p>  <p>3*14mm Screw x 12</p>
<p>(Q)</p>  <p>x 2</p>	<p>(R)</p>  <p>x 2</p>	<p>(S)</p>  <p>4*35mm Screw x 2</p>	

Tools required



Phillips screwdriver
(medium & large)

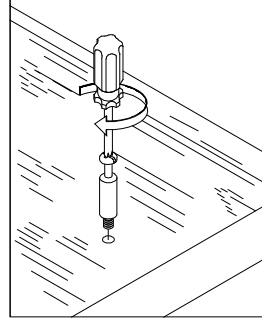
Using Camlocks

Step 1

Connect the male camlock as directed in the assembly instructions using a screwdriver.

1

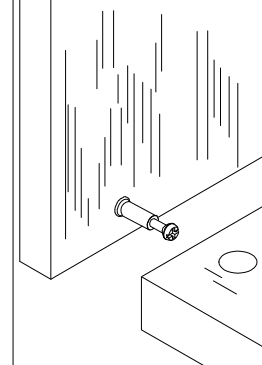
DO NOT OVER TIGHTEN.
NE PAS SERRER EXCESSIVEMENT.



Step 2

Push the male camlock into the entry hole.

2

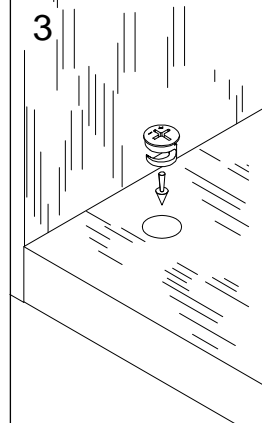


Step 3

Insert the female camlock as shown in the instruction.

Note: ensure that the arrow on the top of the camlock points towards the entry hole for the male camlock.

3



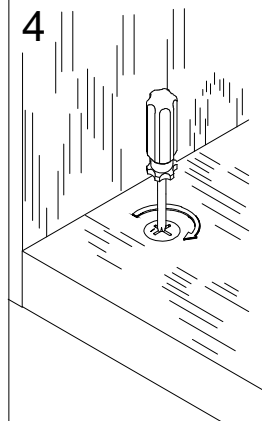
Step 4

Turn the female camlock clockwise with a screwdriver.

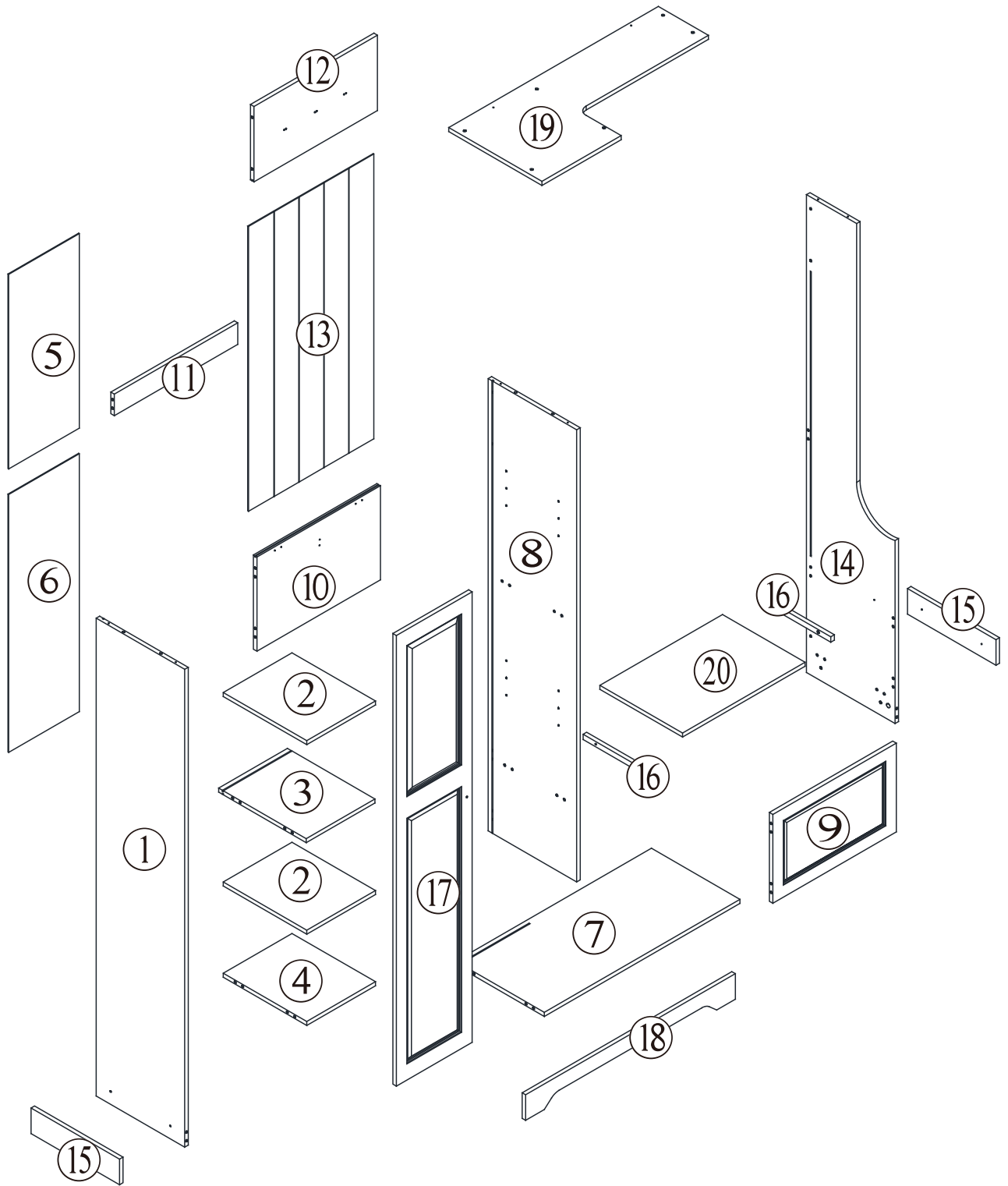
You should feel a click when the camlock is locked in place.

The joint is now secure.

4



Assembly Instructions



Assembly Instructions

① X 1



1775x373x15

② X 2



352x286x15

③ X 1



372x286x15

④ X 1



352x286x15

⑤ X 1



⑫ X 1



539x200x15

⑥ X 1



⑬ X 1

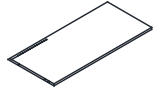


⑳ X 1



535x348x15

⑦ X 1



840x373x15

⑭ X 1



1775x (373+200) x15

⑧ X 1



1716x373x15

⑨ X 1



539x319x15

⑩ X 1



539x336x15

⑪ X 1



539x80x15

⑮ X 1



373x58x15

⑯ X 2



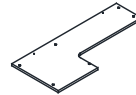
330x40x15

⑰ X 1



1710x316x15

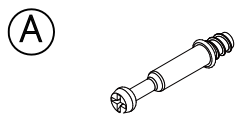
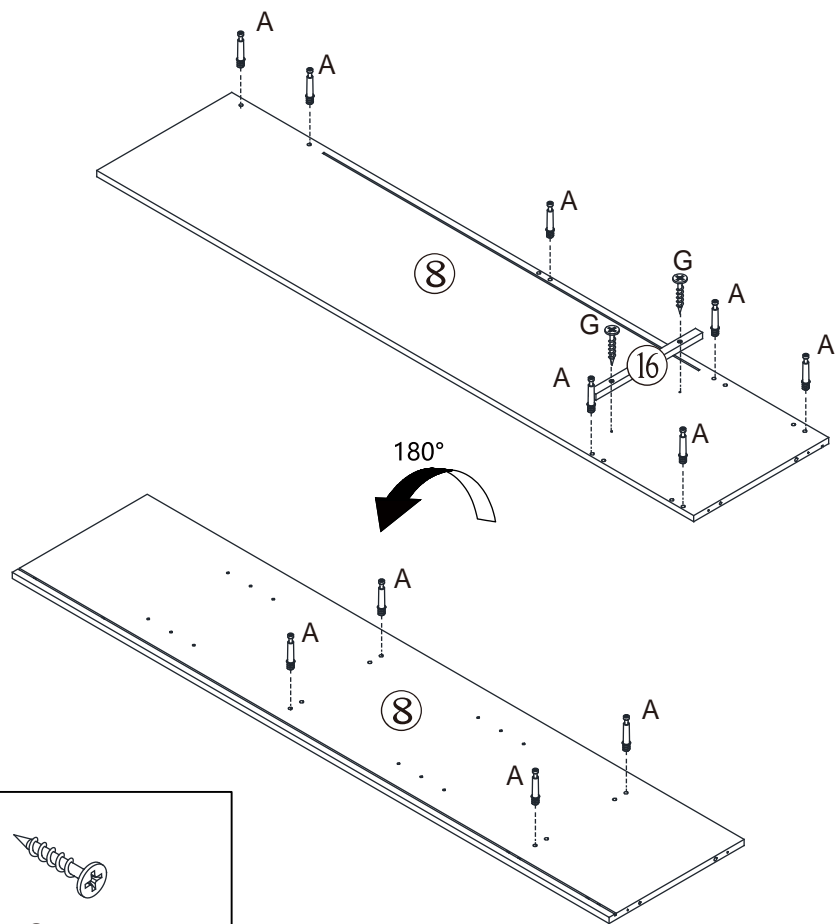
⑱ X 1



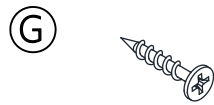
900x (400+20) x15

Assembly Instructions

Step 1

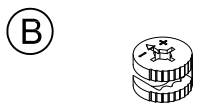
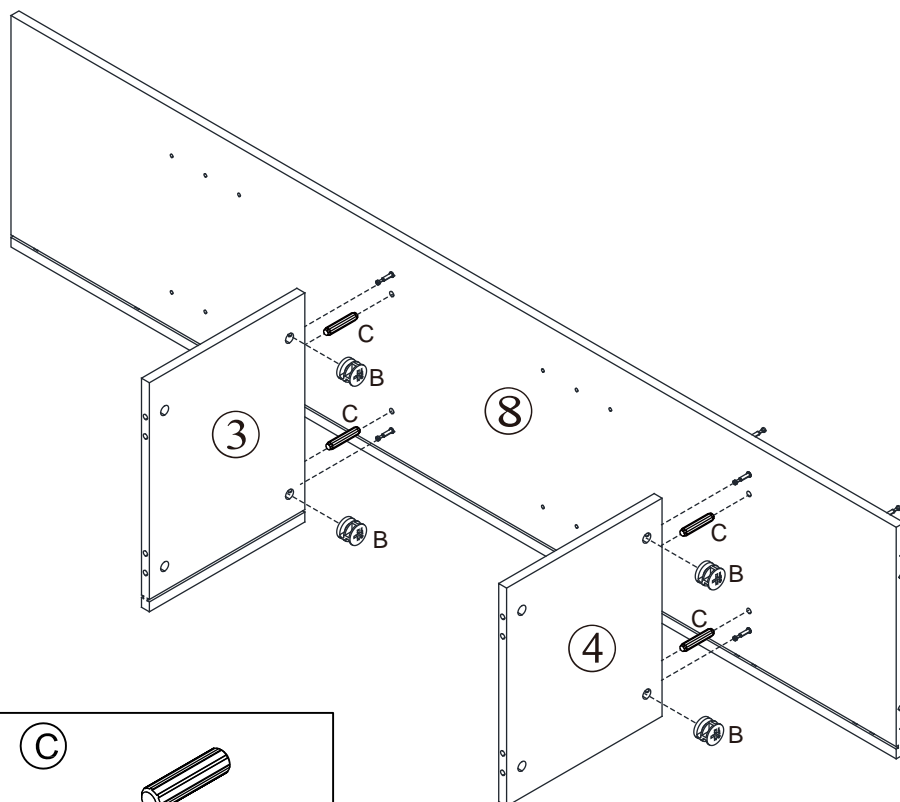


Cam Bolt x 11



4*25mm Screw x 2

Step 2



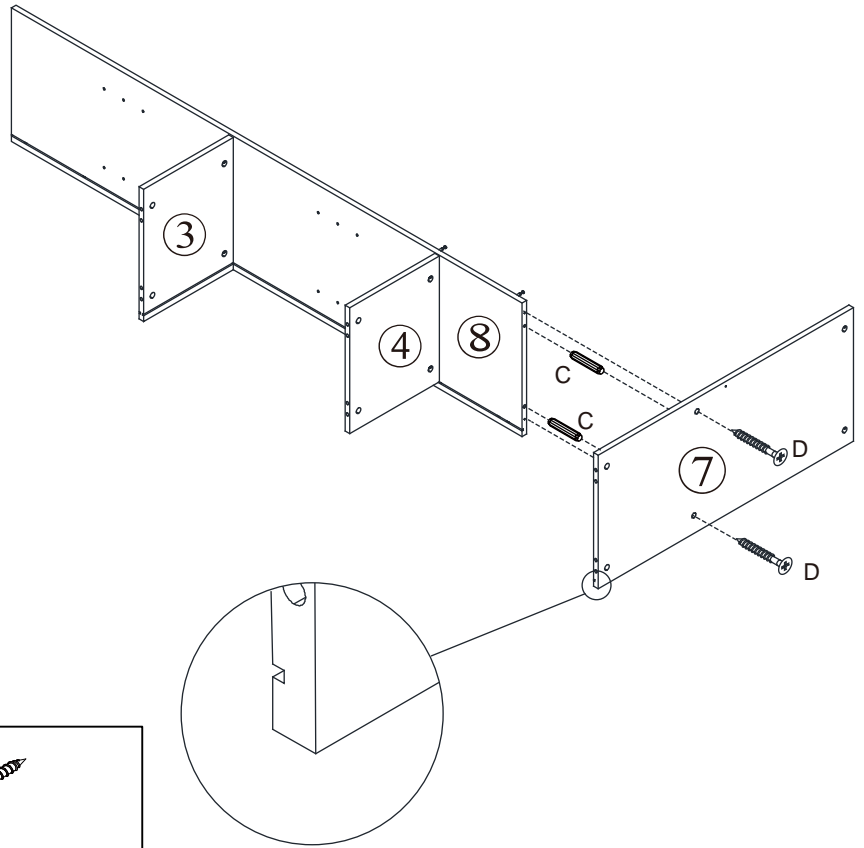
Cam lock x 4



Dowel x 4

Assembly Instructions

Step 3



(C)



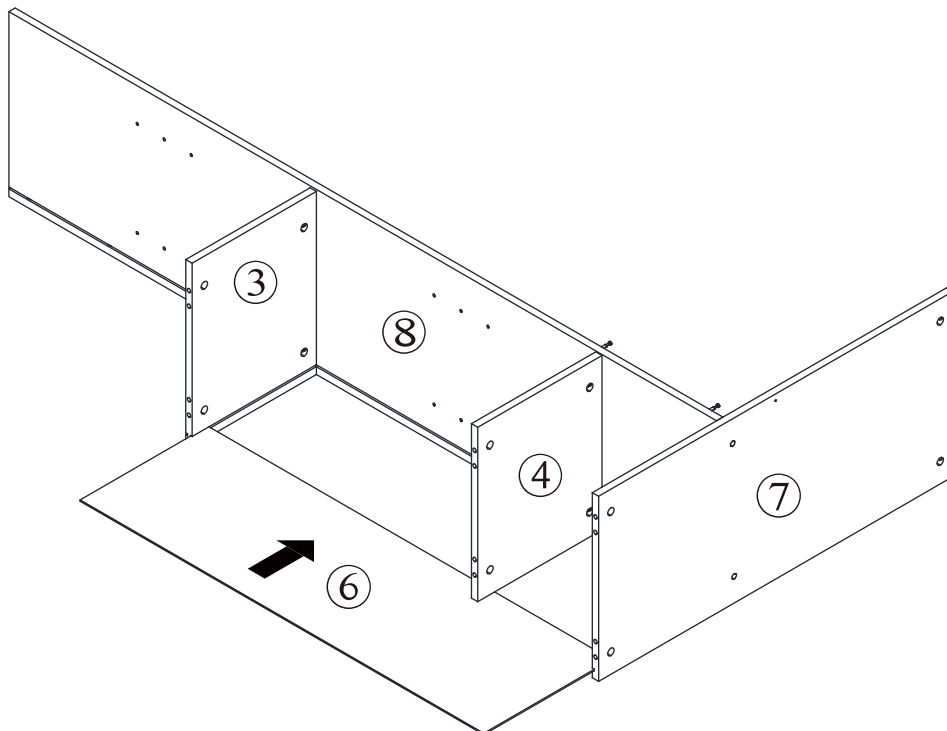
Dowel x 2

(D)



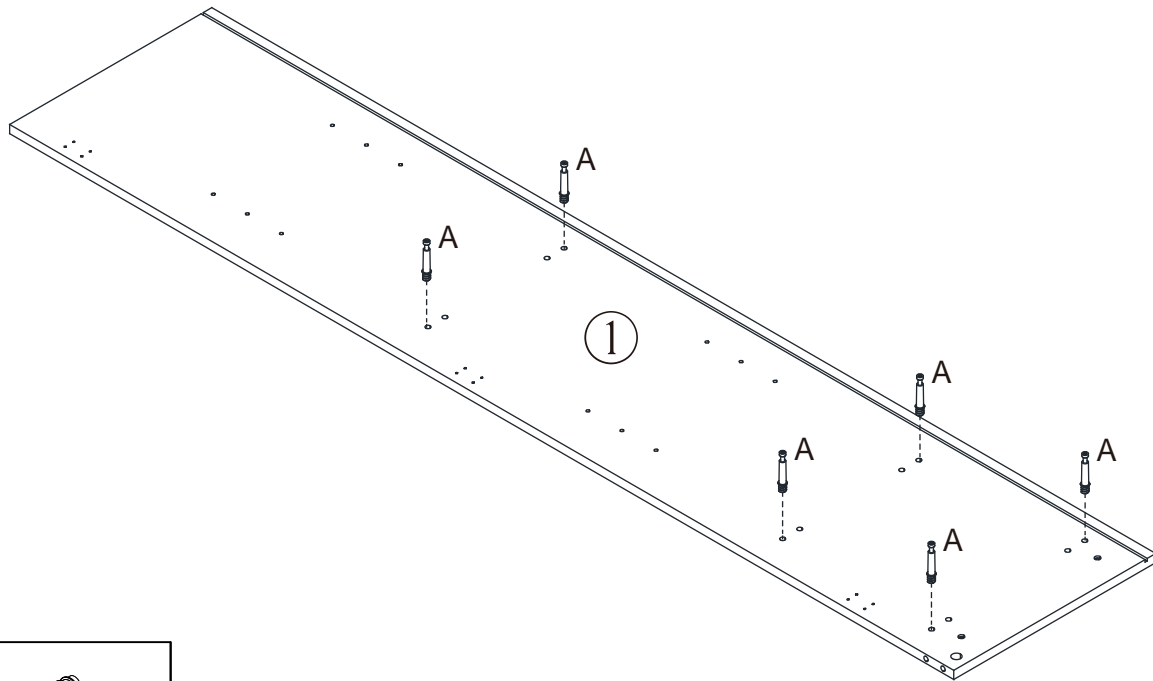
4*40mm Screw x 2

Step 4

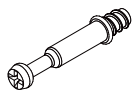


Assembly Instructions

Step 5

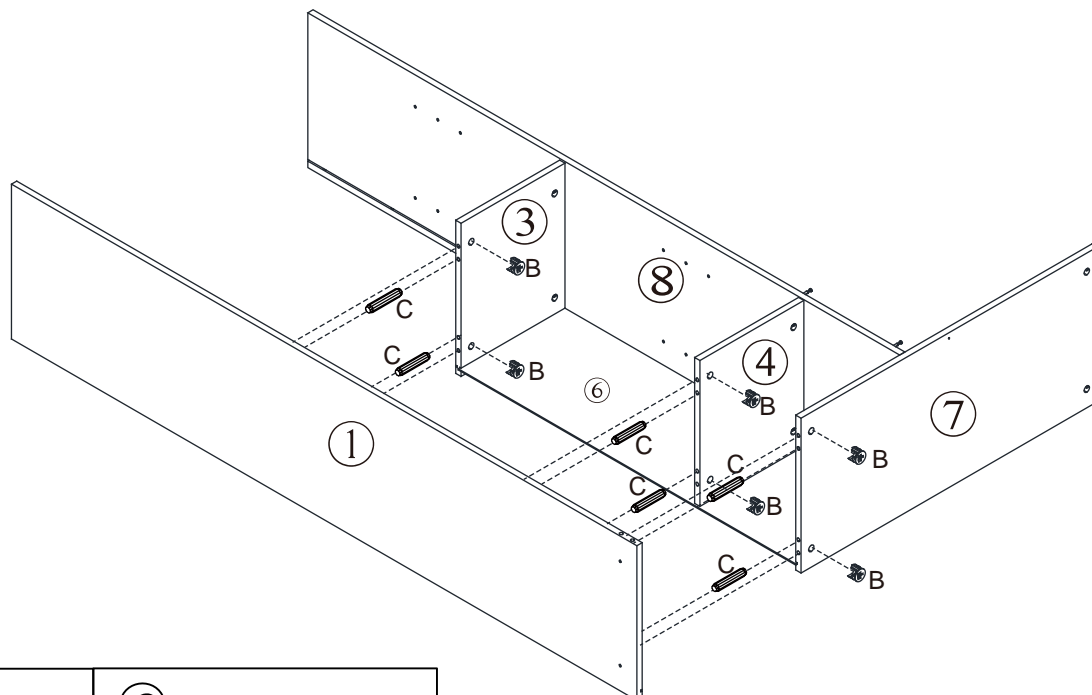


(A)



Cam Bolt x 6

Step 6



(B)



Cam lock x 6

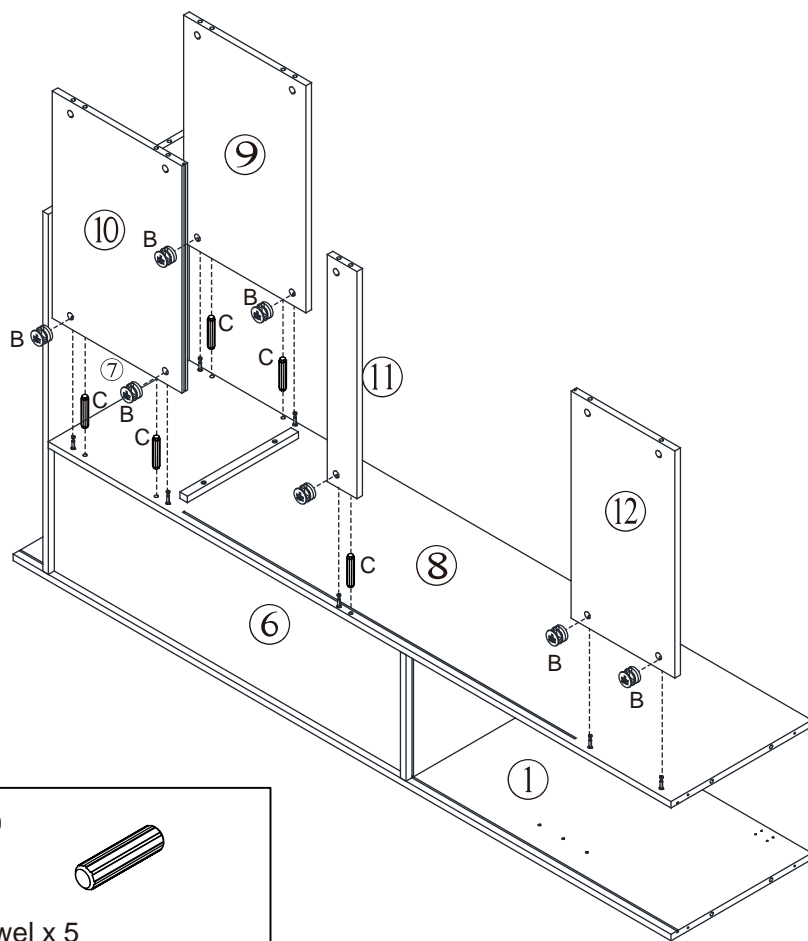
(C)



Dowel x 6

Assembly Instructions

Step 7



(B)



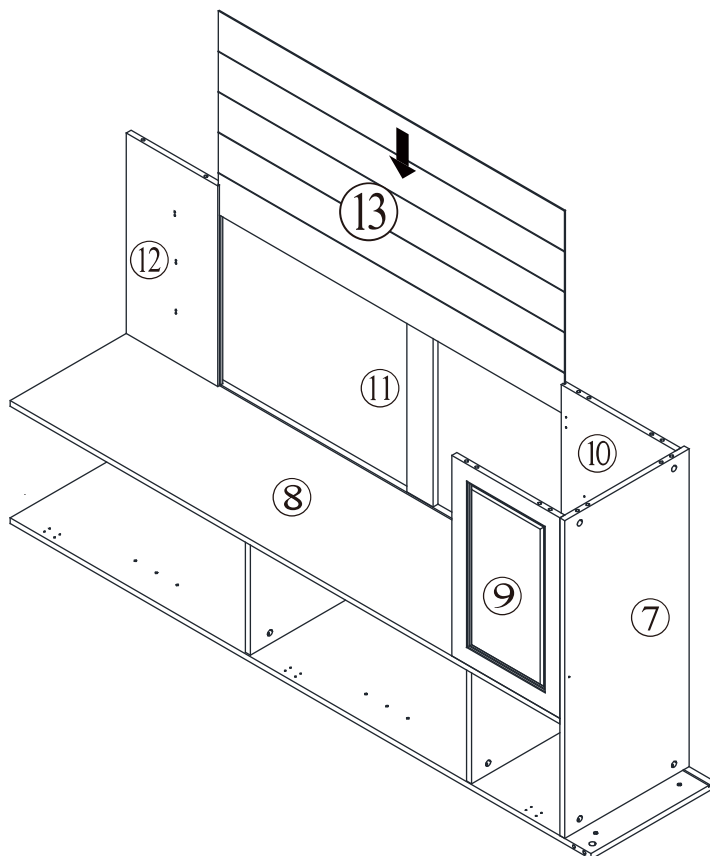
Cam lock x 7

(C)



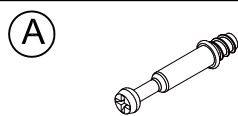
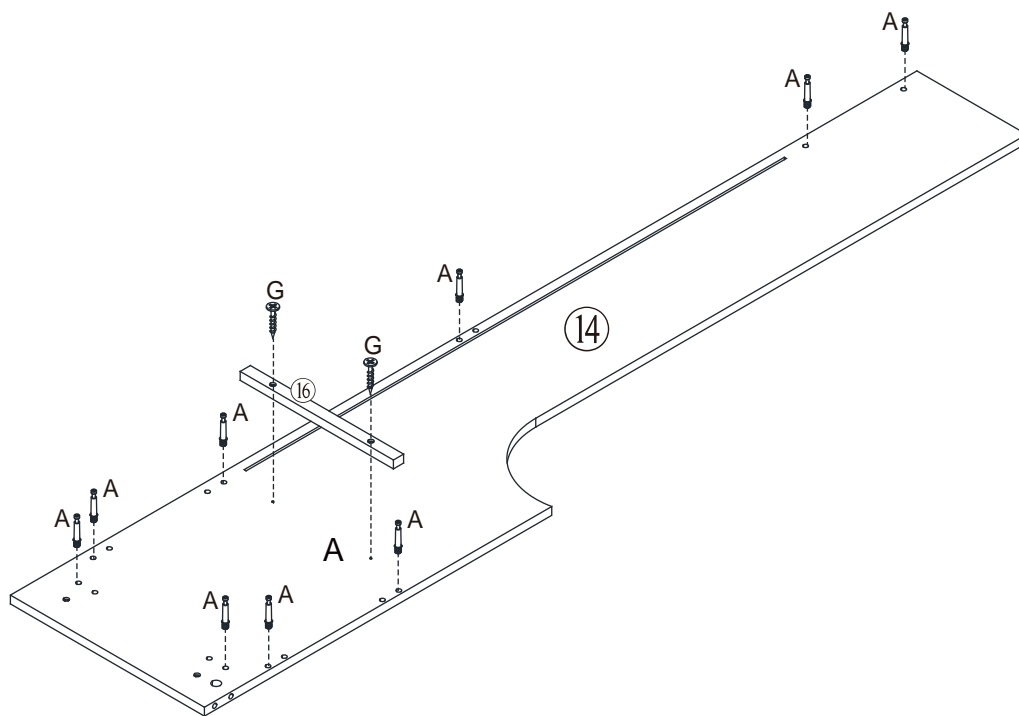
Dowel x 5

Step 8

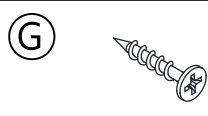


Assembly Instructions

Step 9

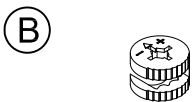
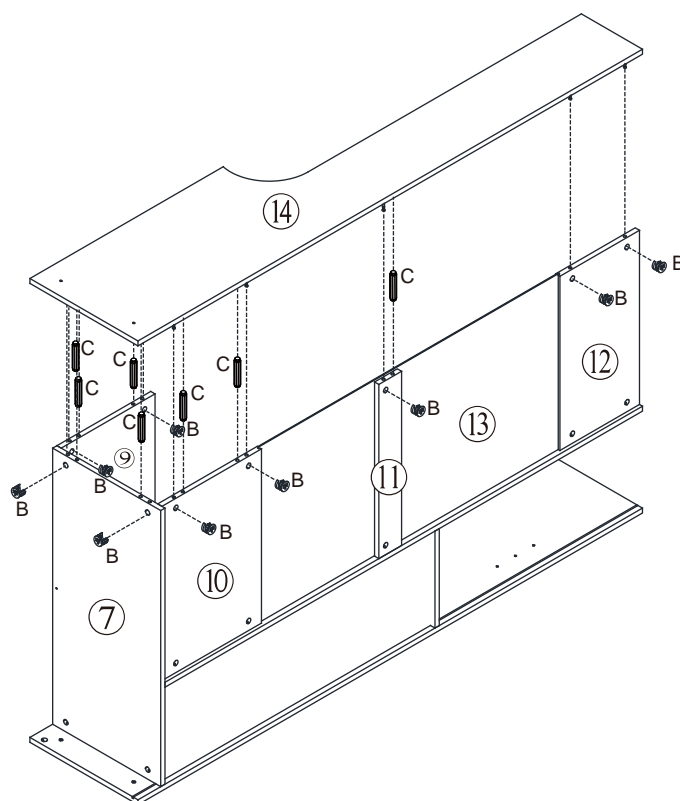
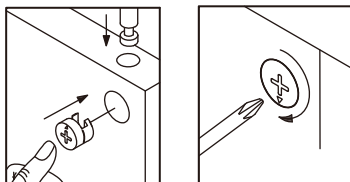


Cam Bolt x 9

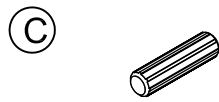


4*25mm Screw x 2

Step 10



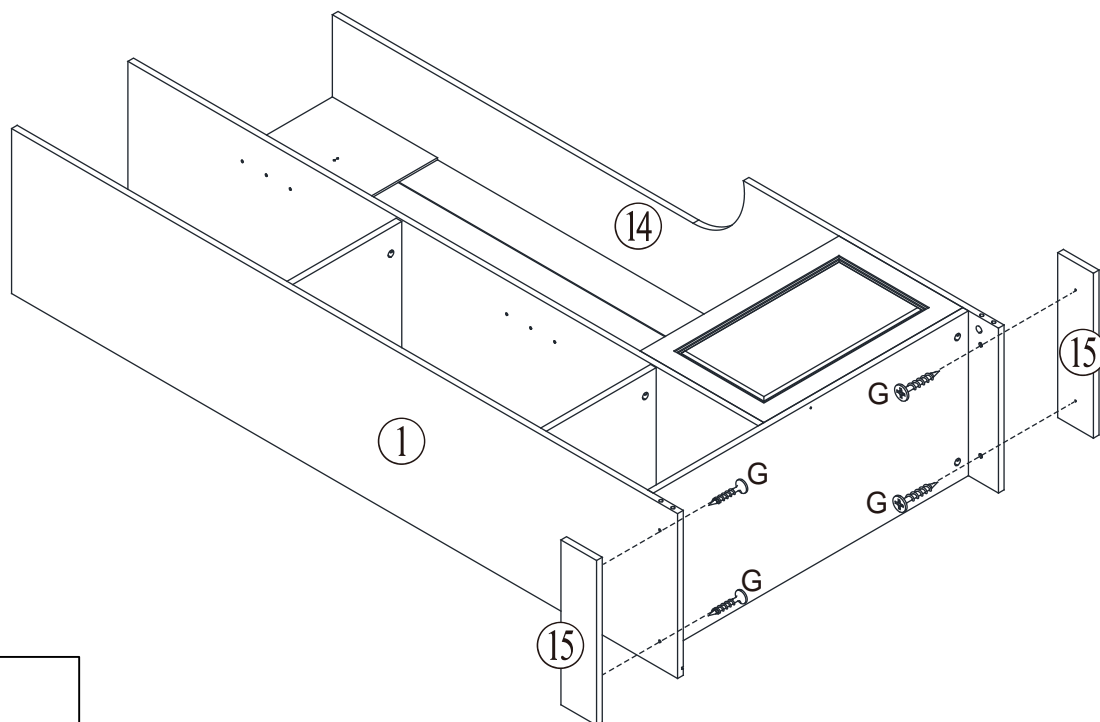
Cam lock x 9



Dowel x 7

Assembly Instructions

Step 11

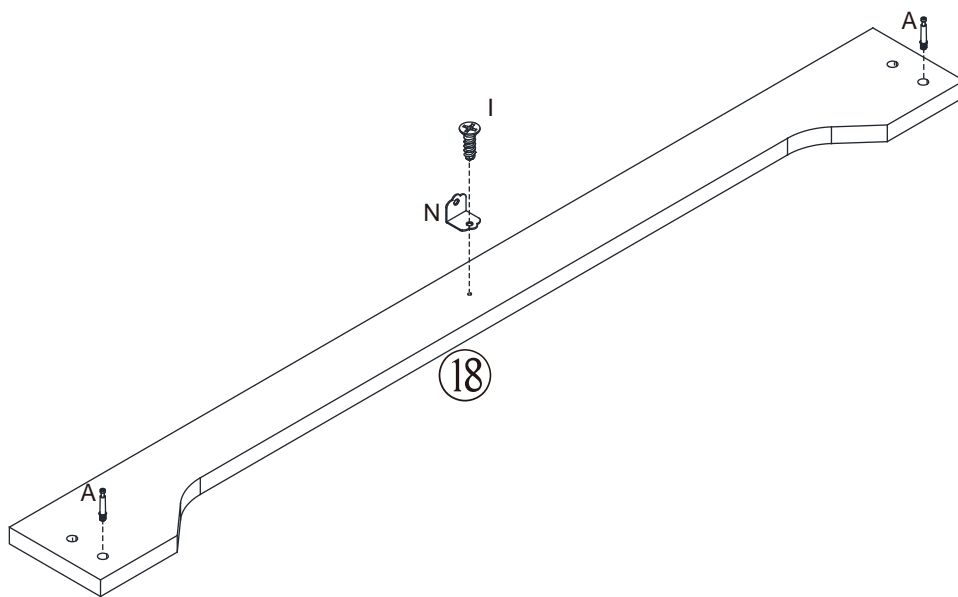


G

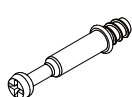


4*25mm Screw x 4

Step 12



A



Cam Bolt x 2

I



3.5*14mm Screw x 1

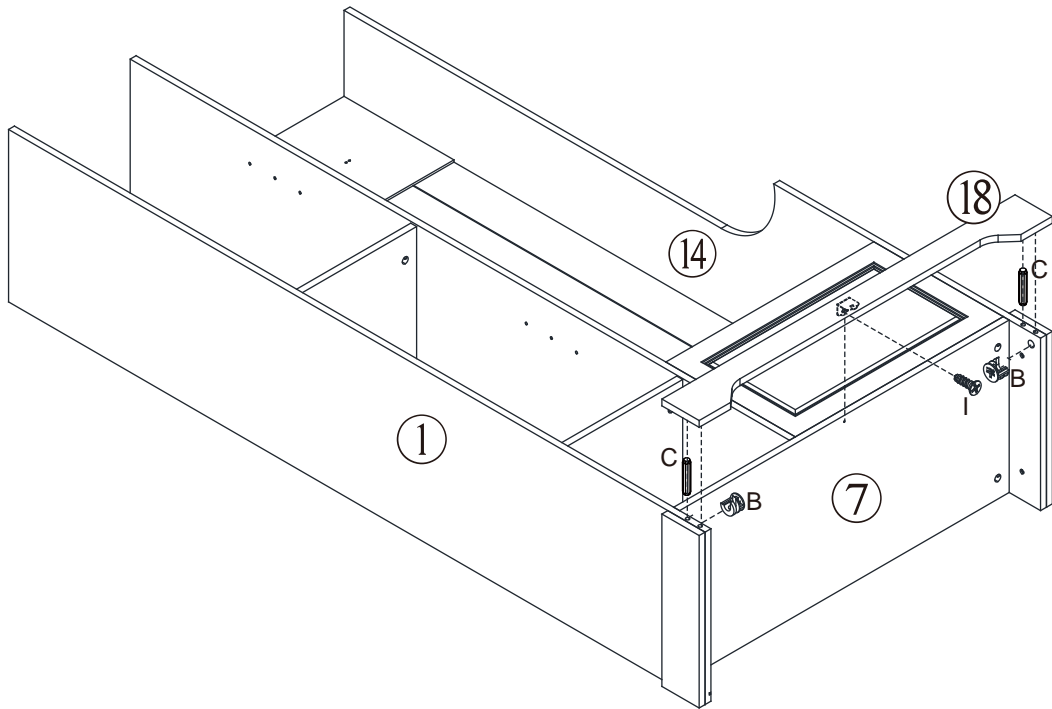
N



x 1

Assembly Instructions

Step 13



(B)



Cam lock x 2

(C)



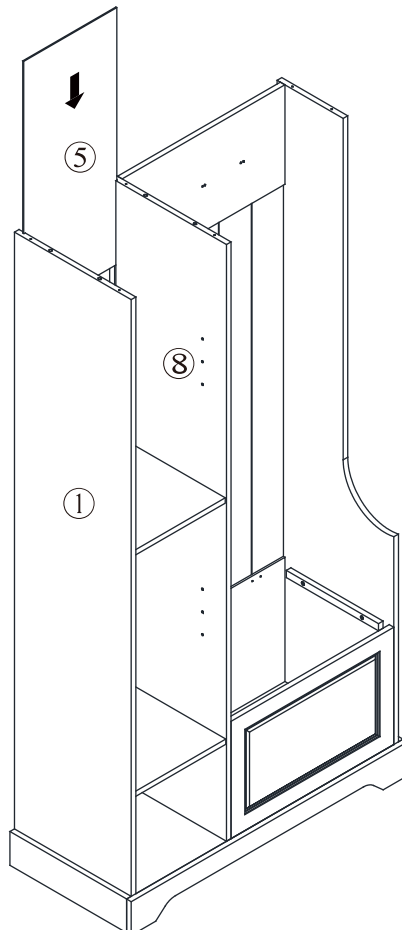
Dowel x 2

(I)



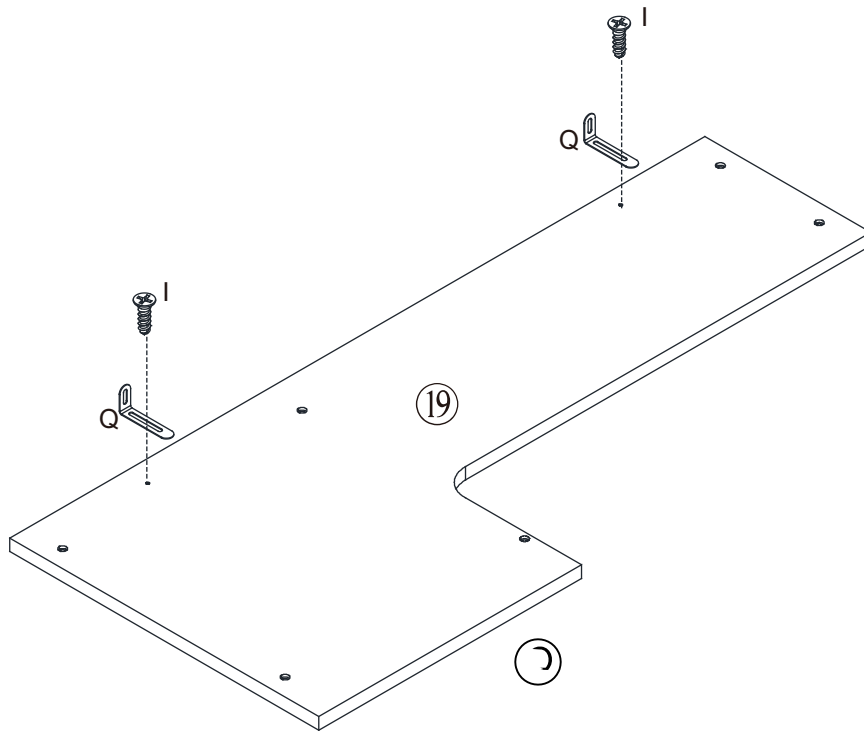
3.5*14mm Screw x 1

Step 14



Assembly Instructions

Step 15



(I)



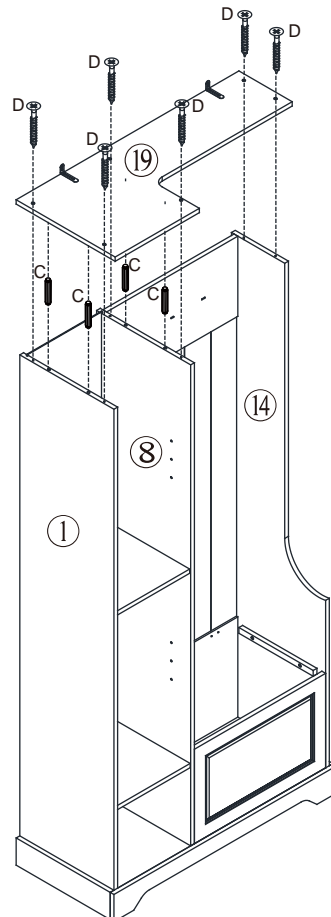
3.5*14mm Screw x 2

(Q)



x 2

Step 16



(C)



Dowel x 4

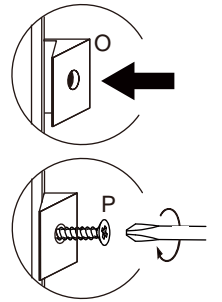
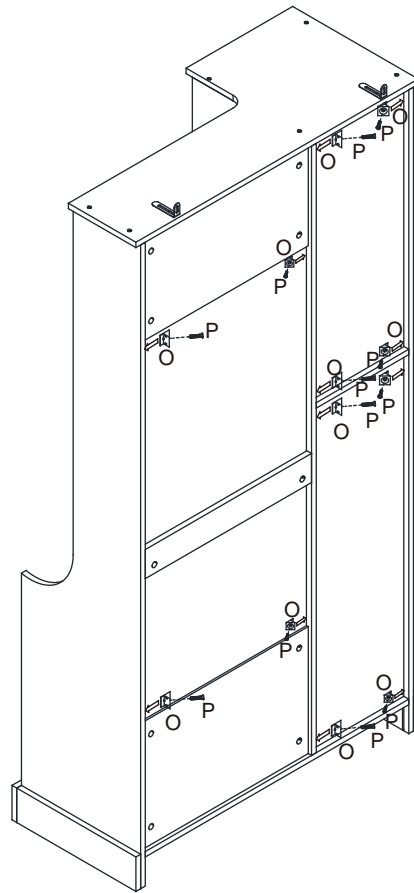
(D)



4*40mm Screw x 6

Assembly Instructions

Step 17



⊙



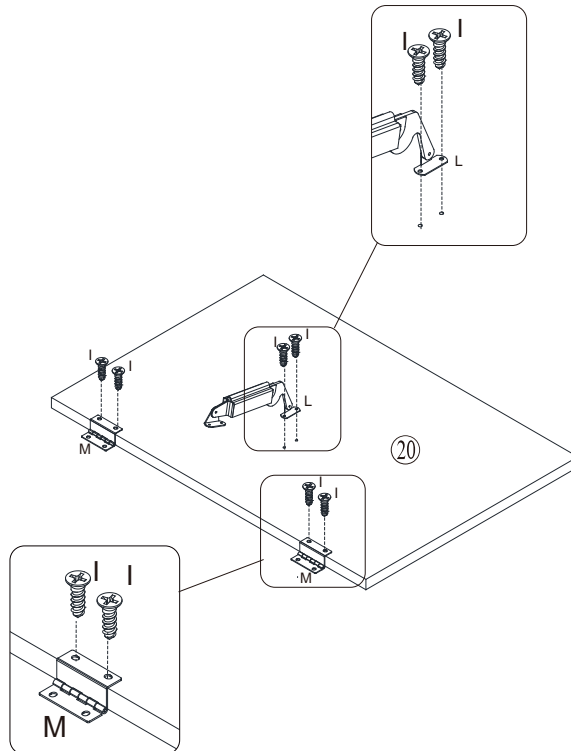
x 12

Ⓟ



3*14mm Screw x 12

Step 18



Ⓡ



3.5*14mm Screw x 6

Ⓛ



x 1

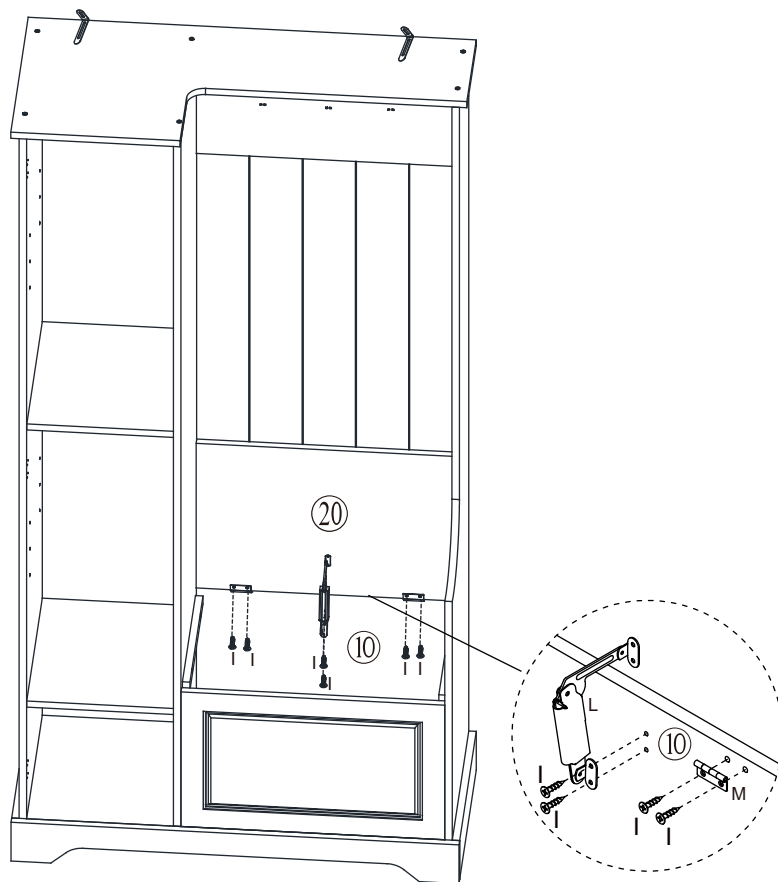
Ⓜ



x 2

Assembly Instructions

Step 19

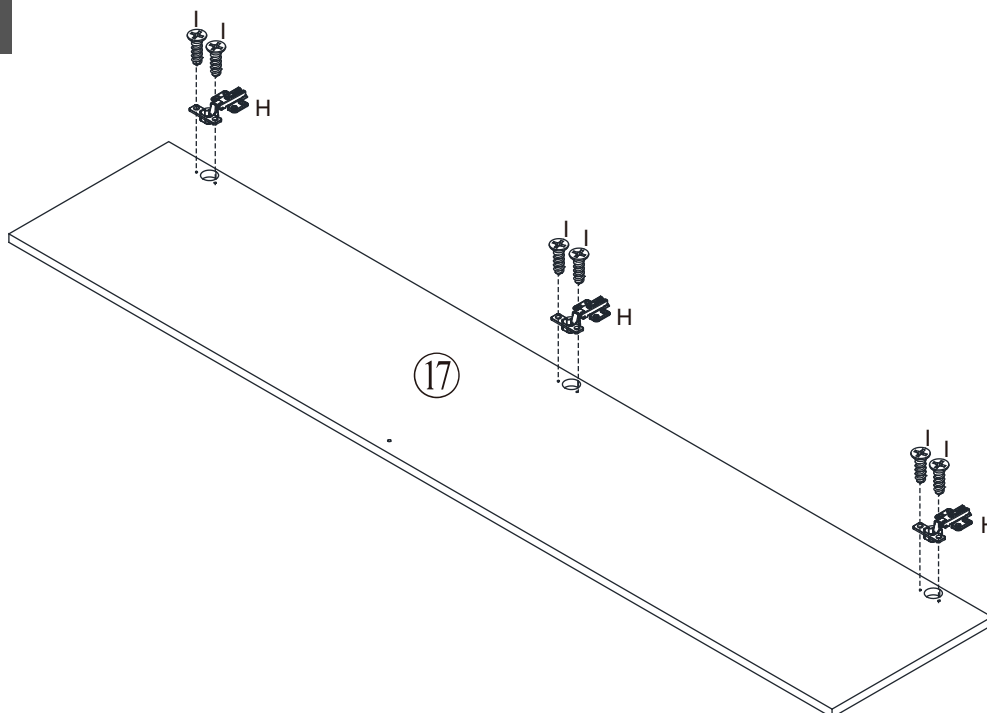


I



3.5*14mm Screw x 6

Step 20



H



Hinge x 3

I

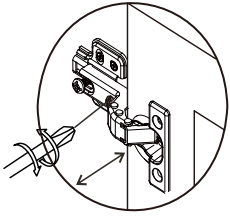


3.5*14mm Screw x 6

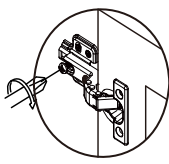
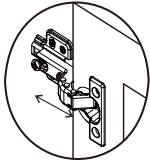
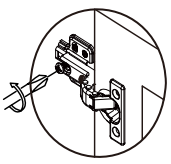
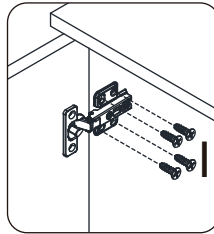
Assembly Instructions

Step 21

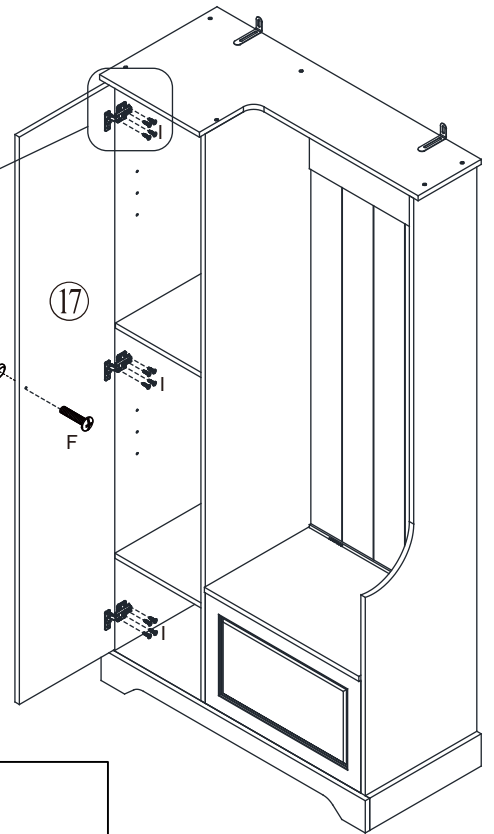
If the door can't close, please adjust the hinges.



This is used to adjust the door panel in the up and down direction.



This is used to adjust the door panel in the front and back direction: Loosen the screw first, and then tighten screw after adjusting the door panel to the proper position.



(E)



x 1

(F)



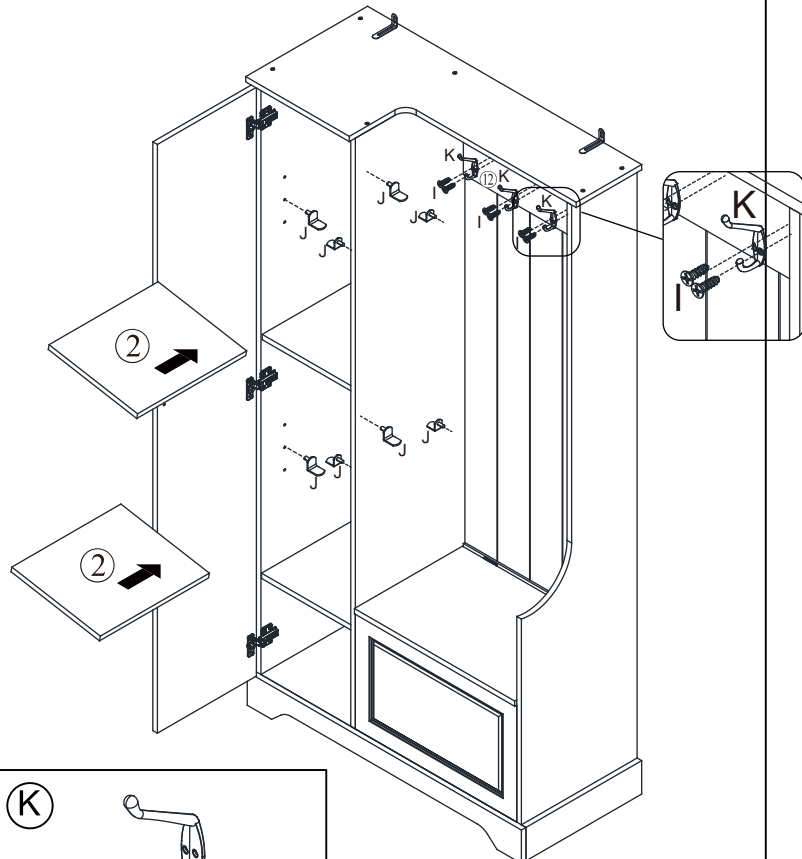
4*20mm Screw x 1

(I)



3.5*14mm Screw x 12

Step 22



(I)



3.5*14mm Screw x 6

(J)



x 8

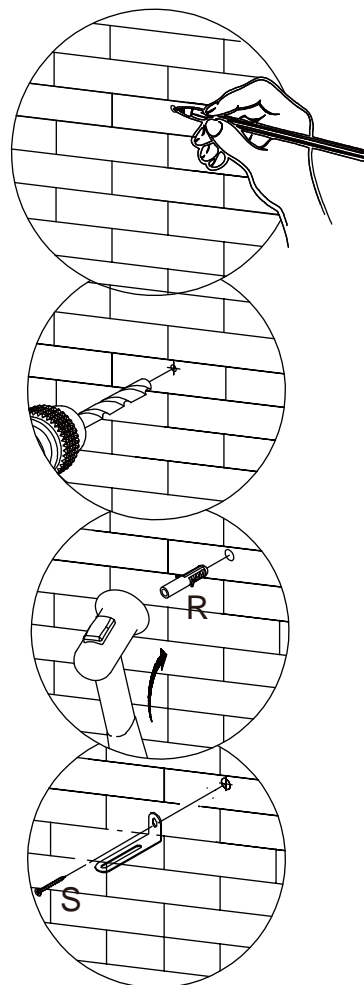
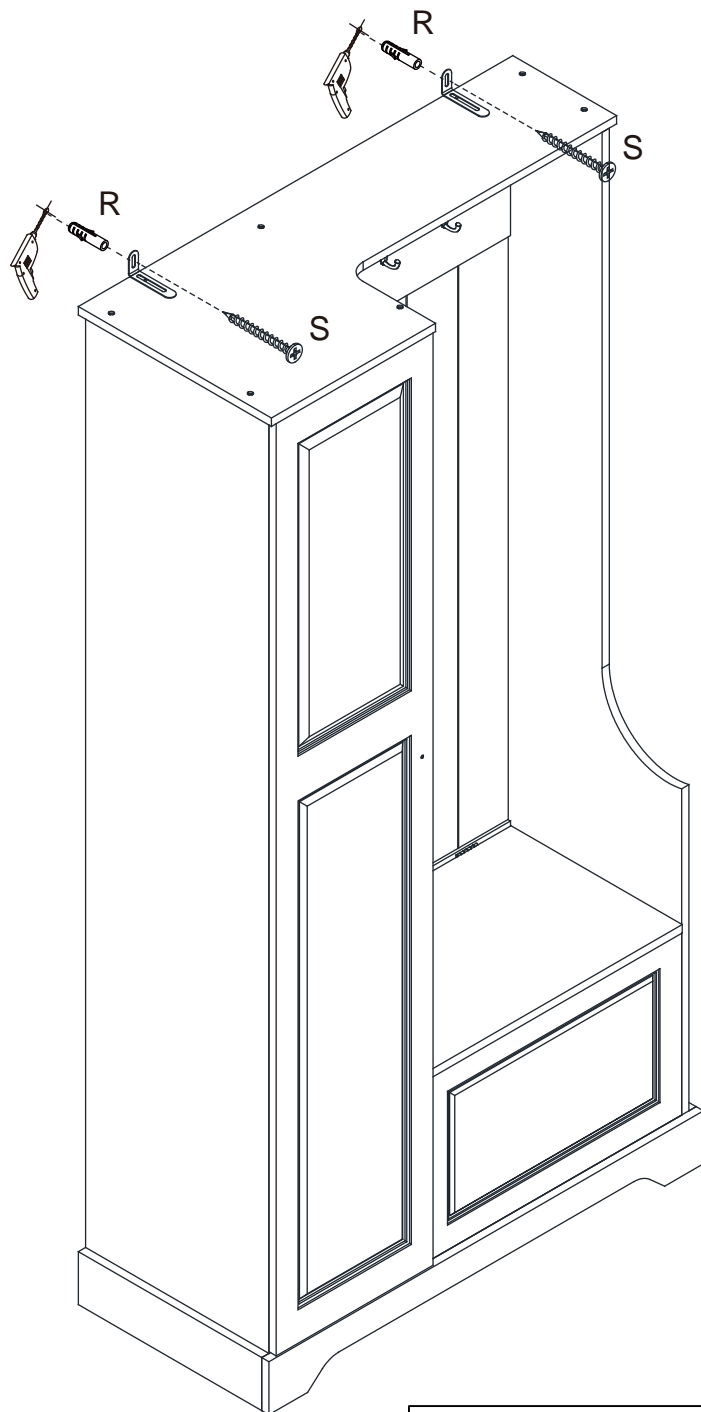
(K)



x 3

Assembly Instructions

Step 23



(R)



x 2

(S)



4*35mm Screw x 2

Assembly Instructions

Step 24

