












Assembly Instructions

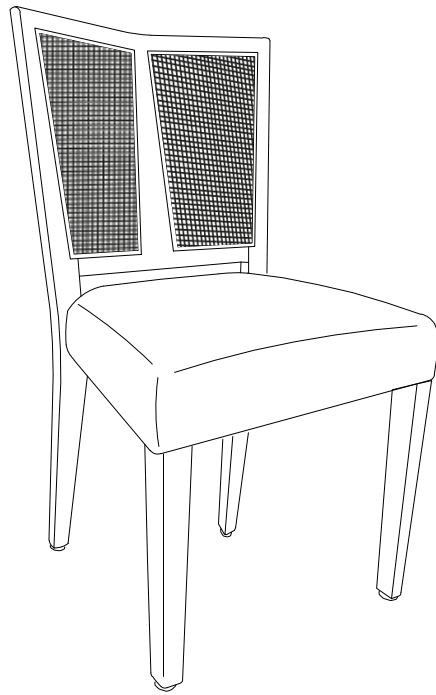
Caution : You must read this before you proceed

Care & Maintenance

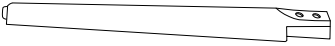
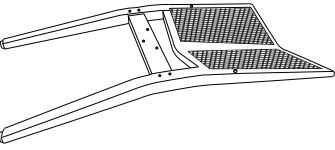

- ⊘  ● Not for commercial use. For residential use only.
- ✓  ● Furniture may scratch floors. We recommend using furniture pads to protect your floors.
- ⊘  ● Do not put hot items directly on furniture surface.
- ⊘  ● Do not clean furniture with harsh cleansers or polish.
- ⊘  ● Do not place furniture under direct sunlight.
- ⊘  ● Do not place furniture near heating or cooling vents.
- ⊘  ● Do not write on furniture without a padded barrier to protect the surface.
- ⊘  ● Do not place furniture outside . For indoor use only.
- ⊘  ● Stains may be removed with mild soap solution and damp cloth.
- ⊘  ● Children should not climb or jump on the furniture.
- ✓  ● Dust and pick-up spills using a clean, non-colored, lint-free cloth.

Please look in Seat frame for hardware packs and legs.
Sets often ship in multiple boxes and may arrive a day or two apart.

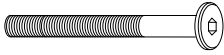
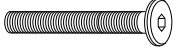
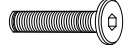



CHAIR



Parts List

Label	Picture	Description	QTY
A		Front Leg	2
B		Chair Back	1
C		Seat Cushion	1

Hardware

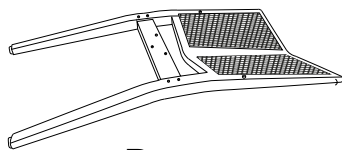
Label	Picture	Description	QTY
①		JCBC Screw (M6*80mm)	4
②		JCBC Screw (M6*70mm)	4
③		JCBC Screw (M6*35mm)	3
④		Spring Washer (M6)	11
⑤		Flat Washer (M6)	11
⑥		Allen Key (M4)	Provided

Assembly Preparation

Before Beginning Assembly:



A X 2



B



C



X 4 PCS



X 4 PCS



X 3 PCS



X 11 PCS



X 11 PCS



X 1 PC



• Read instructions, cover to cover-



• Have 2 adults on hand for assembly-



• Do not assemble on flooring or carpet-



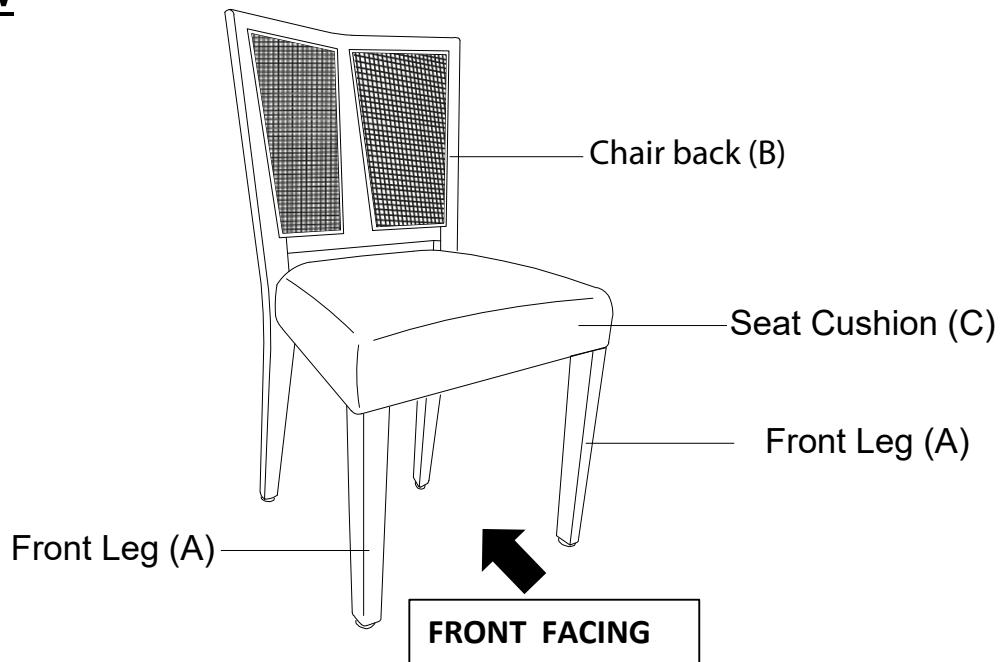
• Assemble on a clean non-marring surface (packing foam)-



• Save all packaging until finished-

Assembly Steps

Overview

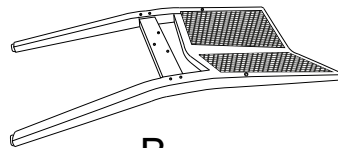


This Chair has multiple parts and may require up to some 30 minutes to assemble. To give you an overview of the chair parts, the above picture is to help you put the various parts into perspective. Please read through the instructions below to familiarise yourself with the parts and steps before assembly.

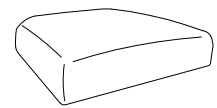
Step 1



A x 2



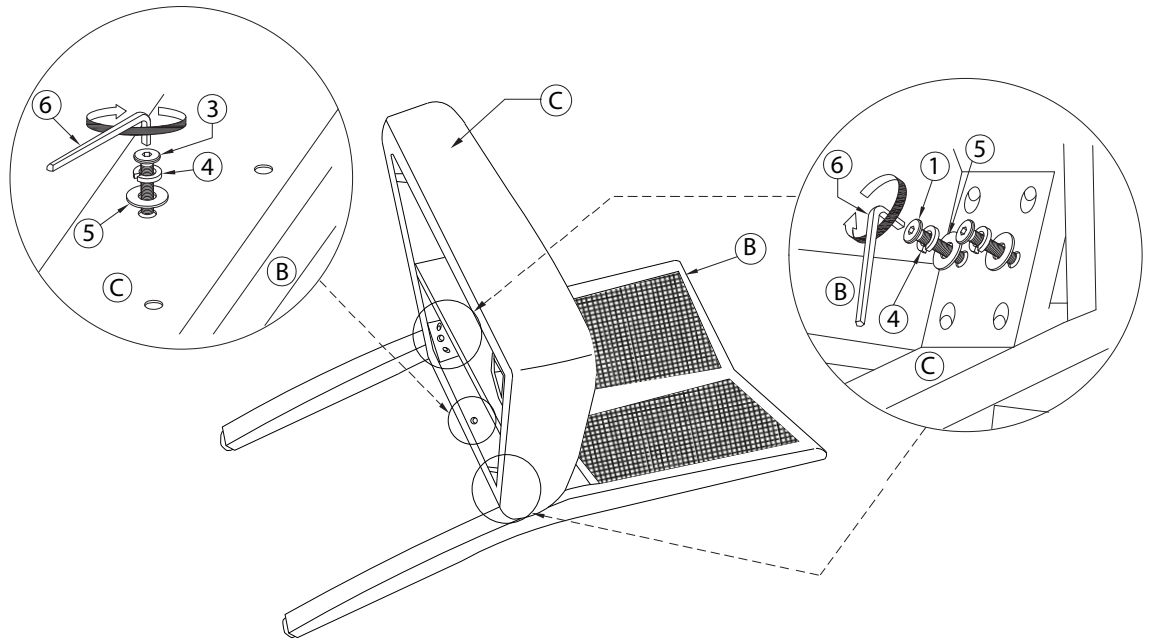
B



C

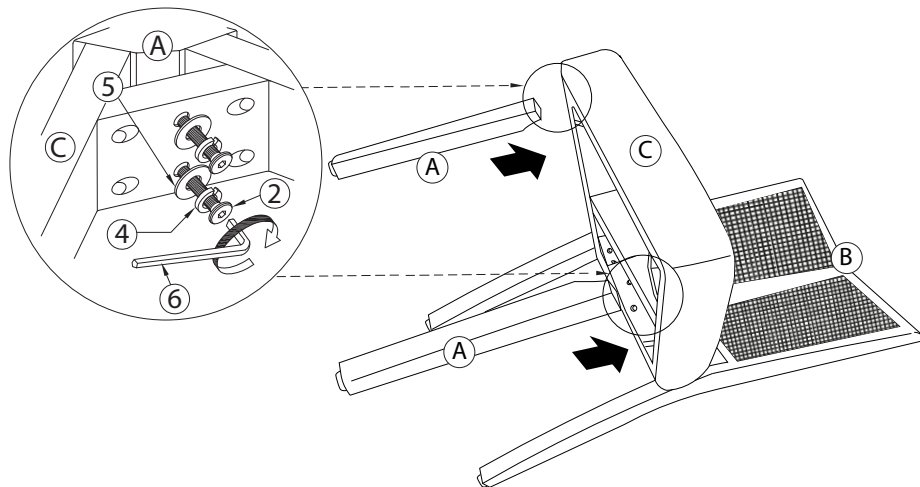
Place all Parts on a clean, flat surface.

Step 2



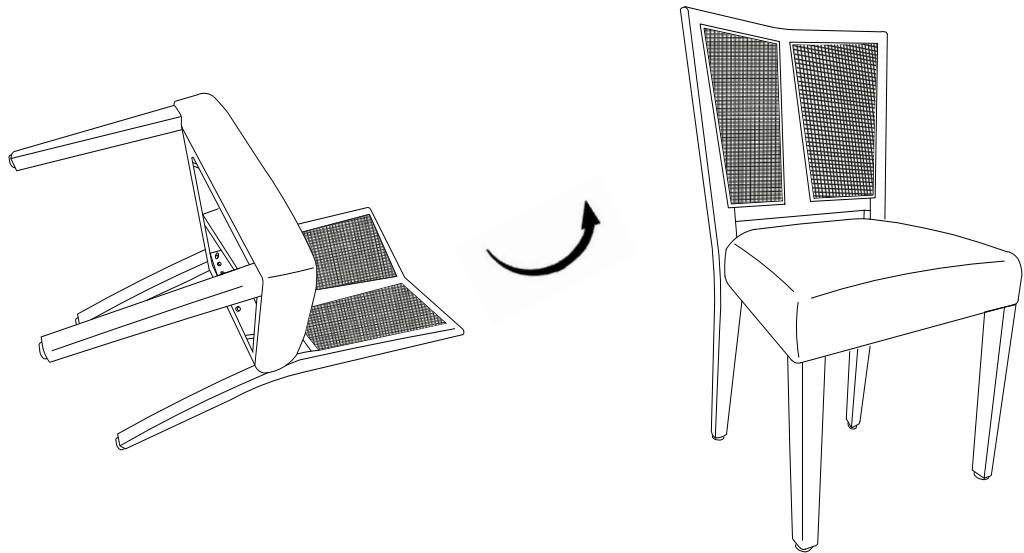
Place the Chair back (B) on a clean, non marring surface. Install the Seat Cushion (C) into the Chair back (B) using JCBC Screw (M6*80mm) ① and JCBC Screw (M6*35mm) ③, Spring washer (M6) ④, Flat washer (M6) ⑤, with Allen Key (M4) ⑥, as pictured above.

Step 3



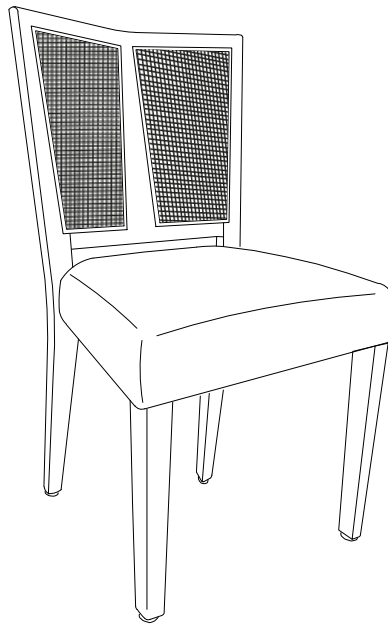
Install the both Front Legs (A) consecutively on both sides into the Seat Cushion (C) using JCBC Screw (M6*60mm) ②, Spring washer (M6) ④, Flat washer (M6) ⑤, with Allen key (M4) ⑥ as pictured above.

Step 4



Place the chair right side up on a **LEVEL SURFACE** to see if it wobbles.

Step 5



CAUTION 1: When tightening the screws and bolts, tighten sequentially. If there are any wobbles after tightening, loosen the screws and bolts and execute this same process.

Ensure all screws and bolts are fully locked into position.

Caution 2: This chair can only be used on a flat, level surface.

Your Chair is ready for use.