

WAYNE®

MODEL: SWS50, 1/2 HP | MODEL: SWS75, 3/4 HP | MODEL: SWS100, 1 HP

WELL PUMP

WAYNE Shallow Well Jet Pump

CONSTRUCTION

- Corrosion Resistant All Cast Iron Motor Housing
- 1 1/4 in. NPT Intake and 1 in. NPT Discharge
- Reliable Thermoplastic Impeller for Maximum Water Flow
- Dual Voltage 120 V / 240 V and a 30/50 Pressure Switch included

BENEFITS

- This pump is assembled in the USA to deliver dependable performance that lasts for years.
- Fresh, clean, water is important to you and our pumps are designed to dependably deliver it to your home or business.
- Self priming and designed to reliably pump water from 25 ft. deep wells, or less.
- SWS50: Pump Part #56907-WYN2
- SWS75: Pump Part #56914-WYN2
- SWS100: Pump Part #56921-WYN2



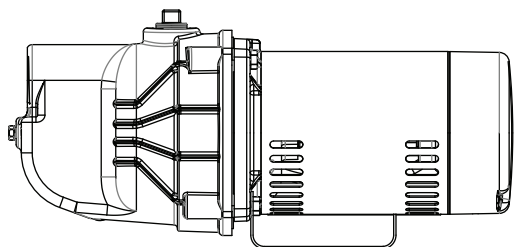
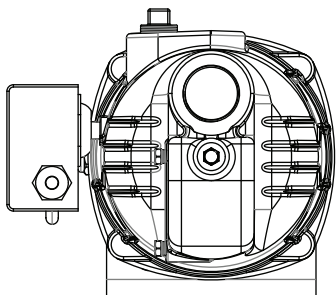


WAYNE SHALLOW WELL JET PUMP

MODEL: SWS50, 1/2 HP | MODEL: SWS75, 3/4 HP |
MODEL: SWS100, 1 HP

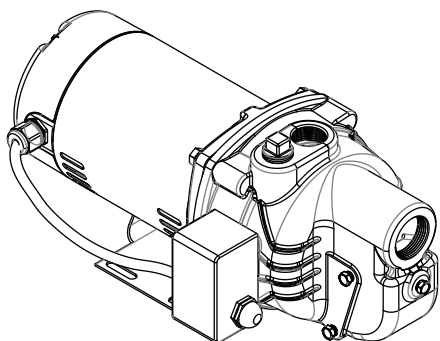
PUMP SNAPSHOT

- **HP** - SWS50, 1/2 HP | SWS75, 3/4 HP | SWS100, 1 HP
- **Construction** - Cast Iron
- **Switch Type** - 30/50 Electromechanical Pressure Switch
- **Motor** - 120/240V Capacitor Start
- **Pump Housing** - Open Drip Proof Motor
- **Motor Design** - Two Compartment
- **Motor Shaft** - Stainless Steel
- **Impeller** - Centrifugal
- **Intake** - 1 1/4 in. NPT
- **Discharge** - 1 in. NPT
- **Submersible** - NO
- **SWS50 UPC** - 040066218773
- **SWS75 UPC** - 040066218780
- **SWS100 UPC** - 040066218797



PUMP SPECIFICATIONS

- **Length** - 19 In.
- **Width** - 8 In.
- **Height** - 8.5 In.
- **Weight** - 35 Lbs.
- **Power Cord** - Wire in Field



PERFORMANCE: SWS100, SWS75, SWS50

MODEL	PSI	MAX FLOW	5'	10'	15'	20'	25'
SWS100	30	1084	1022	960	899	837	775
	40	799	737	675	613	551	490
	50	513	451	389	328	266	204
SWS75	30	779	750	721	691	662	633
	40	644	615	586	557	528	499
	50	510	481	451	422	393	364
SWS50	30	711	674	638	601	565	529
	40	543	506	470	433	397	361
	50	375	338	302	265	229	193

3 YEAR LIMITED WARRANTY

- Assembled in USA with Foreign and Domestic Parts
- 30/50 Pressure Switch Included

