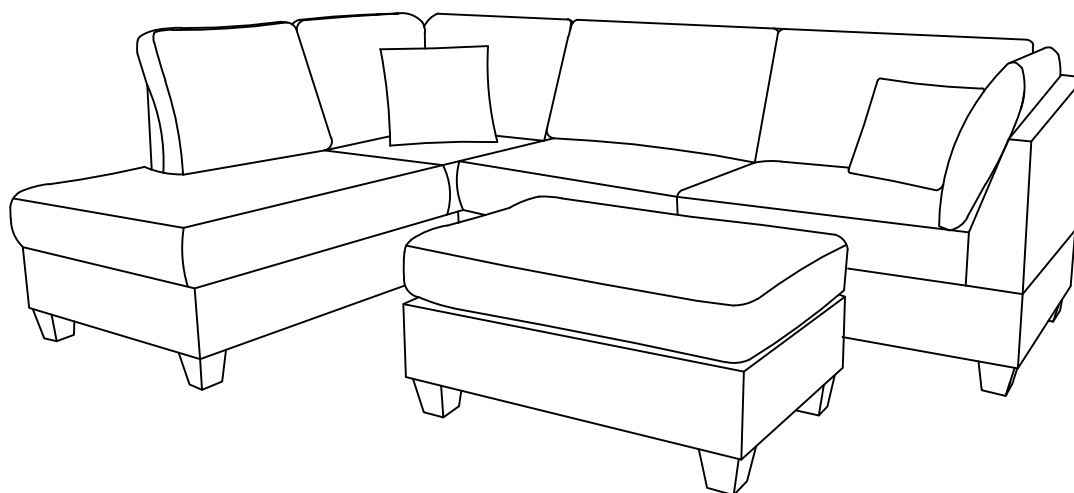


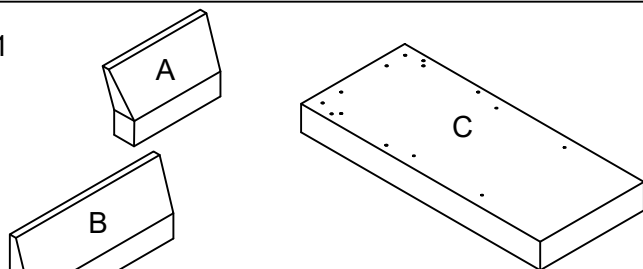
*** NOTICE BEFORE ASSEMBLY ***
 Please choose the **CHAISE** will be on
The **LEFT** or **RIGHT** hand side.

ASSEMBLY INSTRUCTION I: CHAISE ON THE LEFT
 ITEM NO.: F7606, F7608



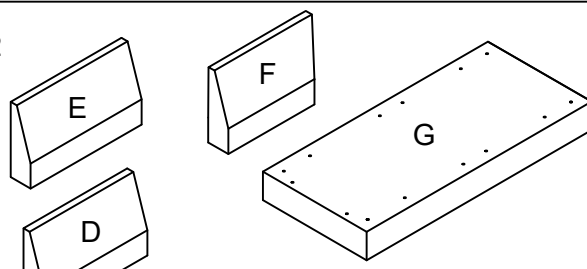
PART LIST

BOX 1



*Cushions, pillow and legs included

BOX 2



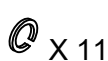
*Cushions, pillow and legs included

1



X 11

2



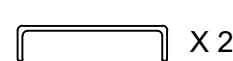
X 11

3



X 11

4



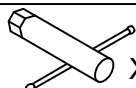
X 2

5



X 11

6

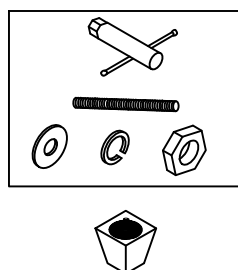
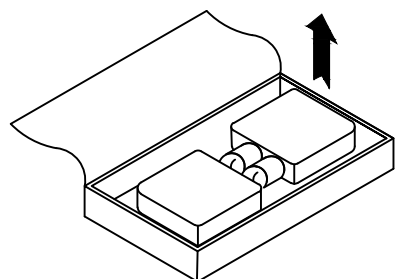


X 1

7

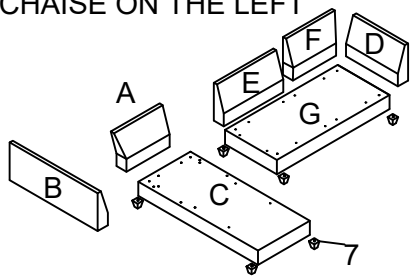


X 8

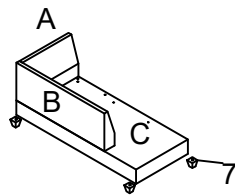


Open up the Velcro of Non-Woven Fabric cover on the bottom of the seat frame to remove seat cushions, back cushions and pillow.

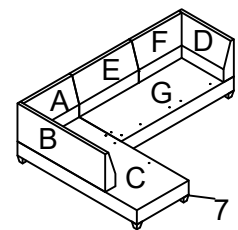
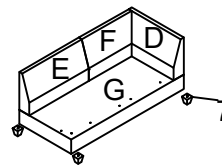
CHAISE ON THE LEFT



CHAISE-BOX 1



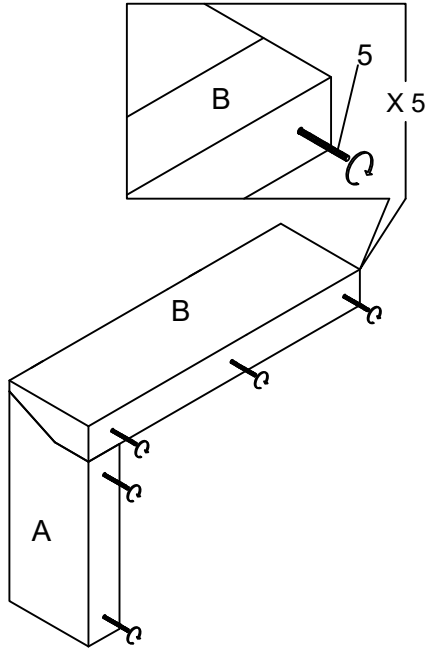
SOFA-BOX 2



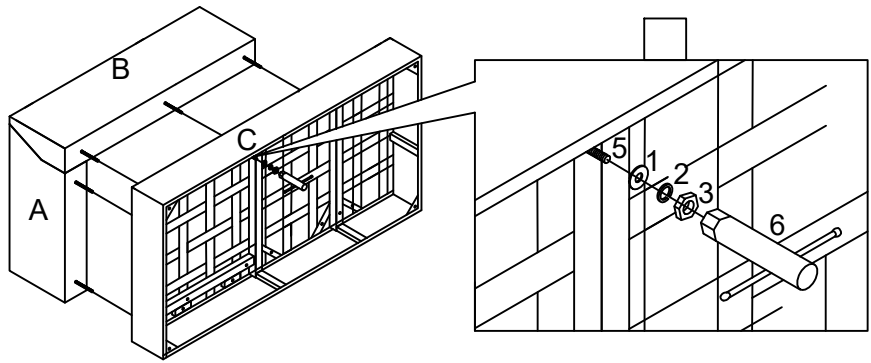
CHAISE ASSEMBLY INSTRUCTION-BOX 1

STEP 1- INSERT THREADED RODS INTO SEAT BACKS

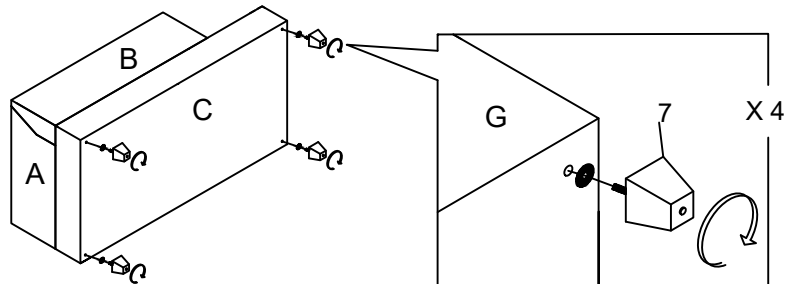
Stop when the rod starts coming out on the other end



STEP 2- MOUNTED SEAT BACKS INTO THE SEAT FRAME.

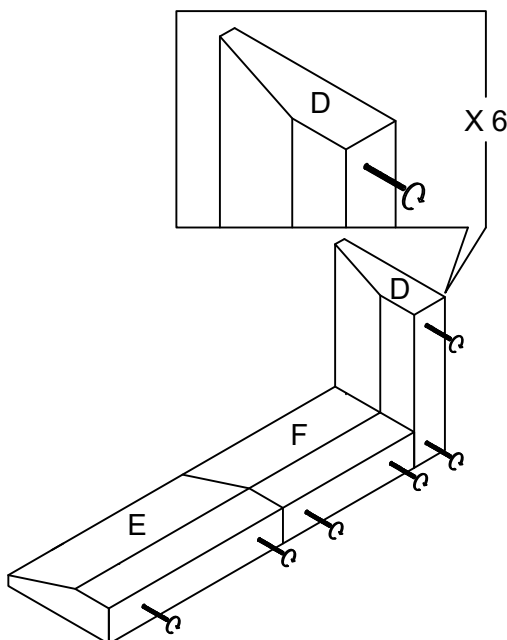


STEP 3- PUT BACK THE FABRIC COVER AND INSERT LEGS.

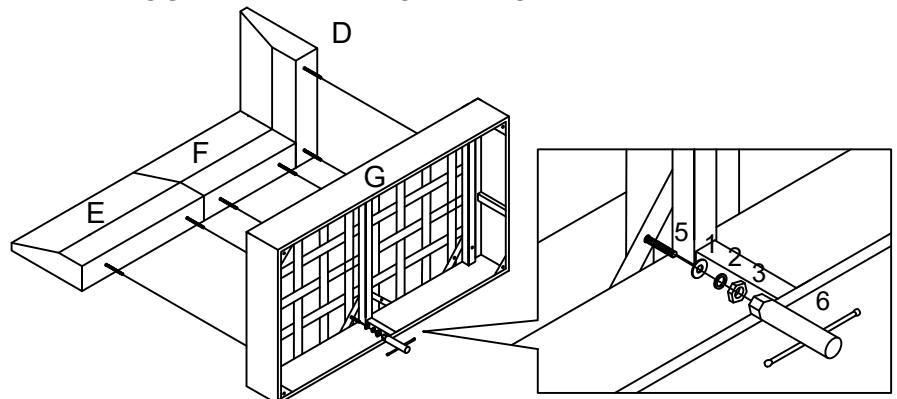


SOFA ASSEMBLY INSTRUCTION-BOX 2

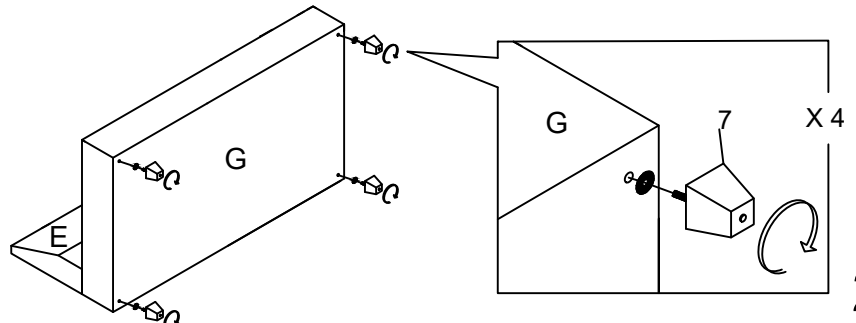
STEP 1- INSERT THREADED RODS INTO SEAT BACKS



STEP 2- MOUNTED SEAT BACKS INTO THE SEAT FRAME.



STEP 3- PUT BACK THE FABRIC COVER AND INSERT LEGS.

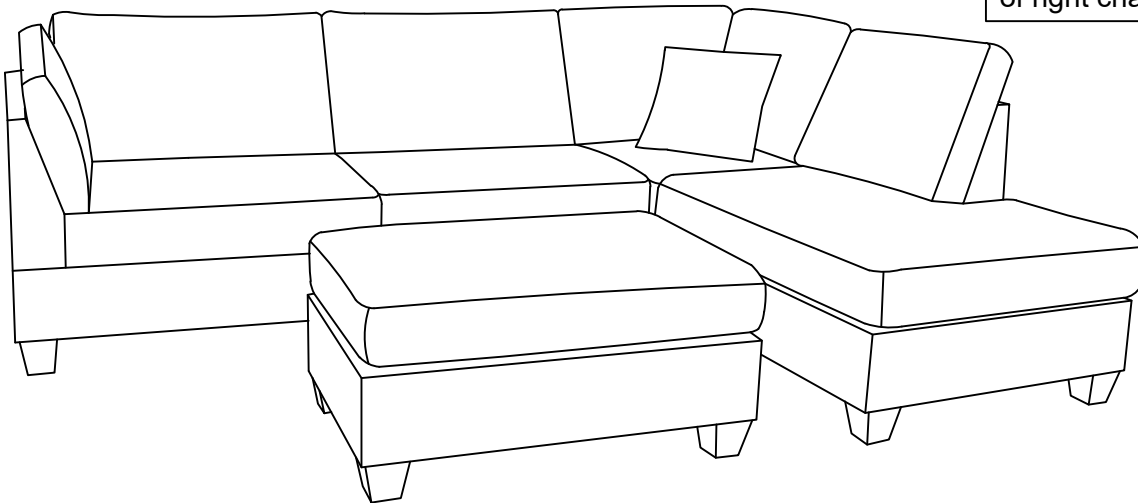


Stop when the rod starts coming out on the other end

*** NOTICE BEFORE ASSEMBLY ***
 Please choose the **CHAISE** will be on
The **LEFT** or **RIGHT** hand side.

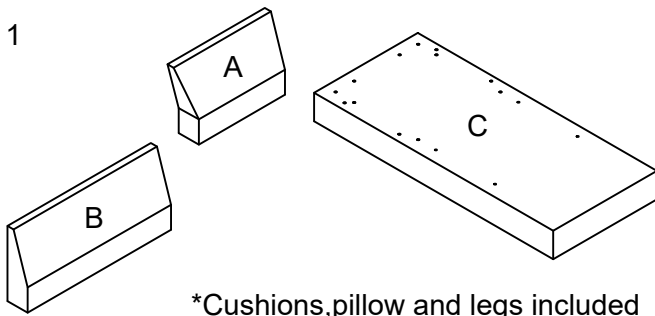
ASSEMBLY INSTRUCTION II: CHAISE ON THE RIGHT
 ITEM NO.: **F7606, F7608**

Before assembly, open both Box 1 and Box 2 to switch between Part C and Part F . And you will get the direction of right chaise.



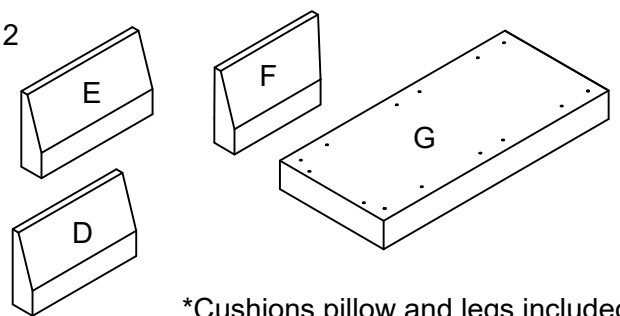
PART LIST

BOX 1



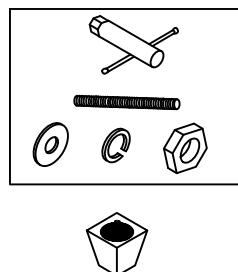
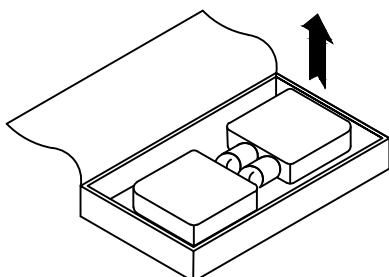
*Cushions, pillow and legs included

BOX 2



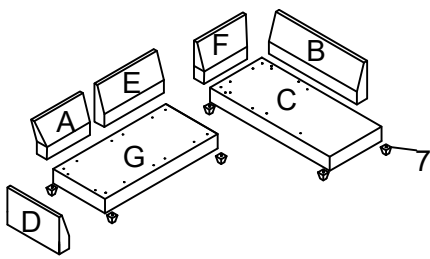
*Cushions, pillow and legs included

1	X 11	2	X 11	3	X 11	4	X 2
5	X 11	6	X 1	7	X 8		

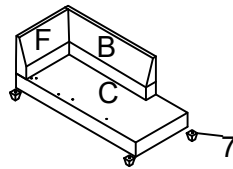


Open up the Velcro of Non-Woven Fabric cover on the bottom of the seat frame to remove seat cushions, back cushions and pillow.

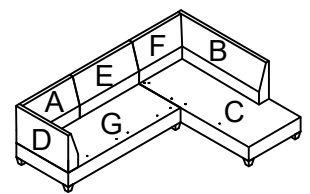
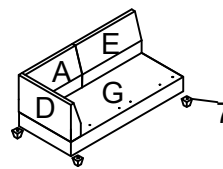
CHAISE ON THE RIGHT



CHAISE-BOX 1



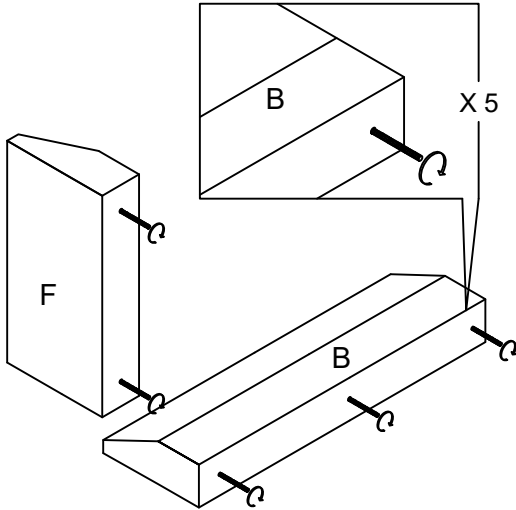
SOFA-BOX 2



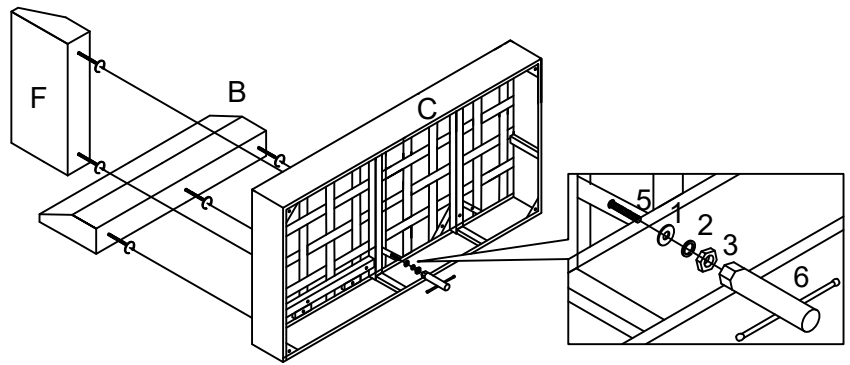
CHAISE ASSEMBLY INSTRUCTION-BOX 1

STEP 1- INSERT THREADED RODS INTO SEAT BACKS

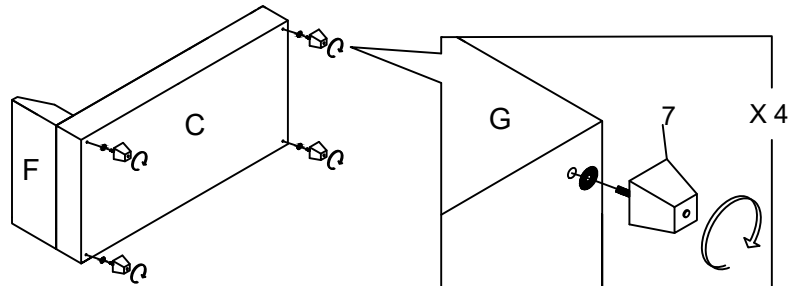
Stop when the rod starts coming out on the other end



STEP 2- MOUNTED SEAT BACKS INTO THE SEAT FRAME.

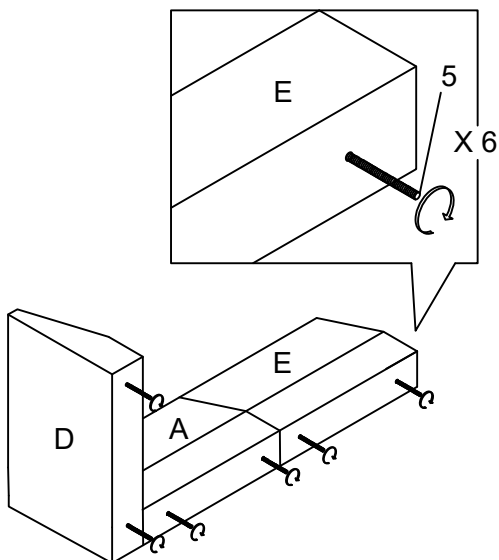


STEP 3- PUT BACK THE FABRIC COVER AND INSERT LEGS.

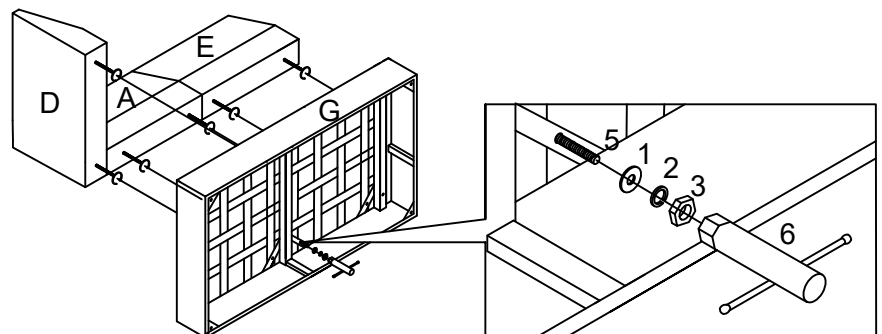


SOFA ASSEMBLY INSTRUCTION-BOX 2

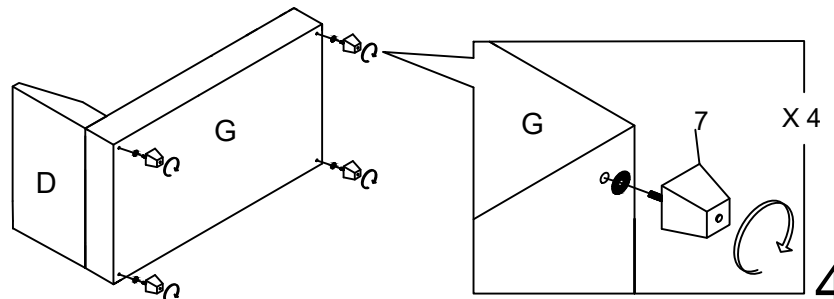
STEP 1- INSERT THREADED RODS INTO SEAT BACKS



STEP 2- MOUNTED SEAT BACKS INTO THE SEAT FRAME.



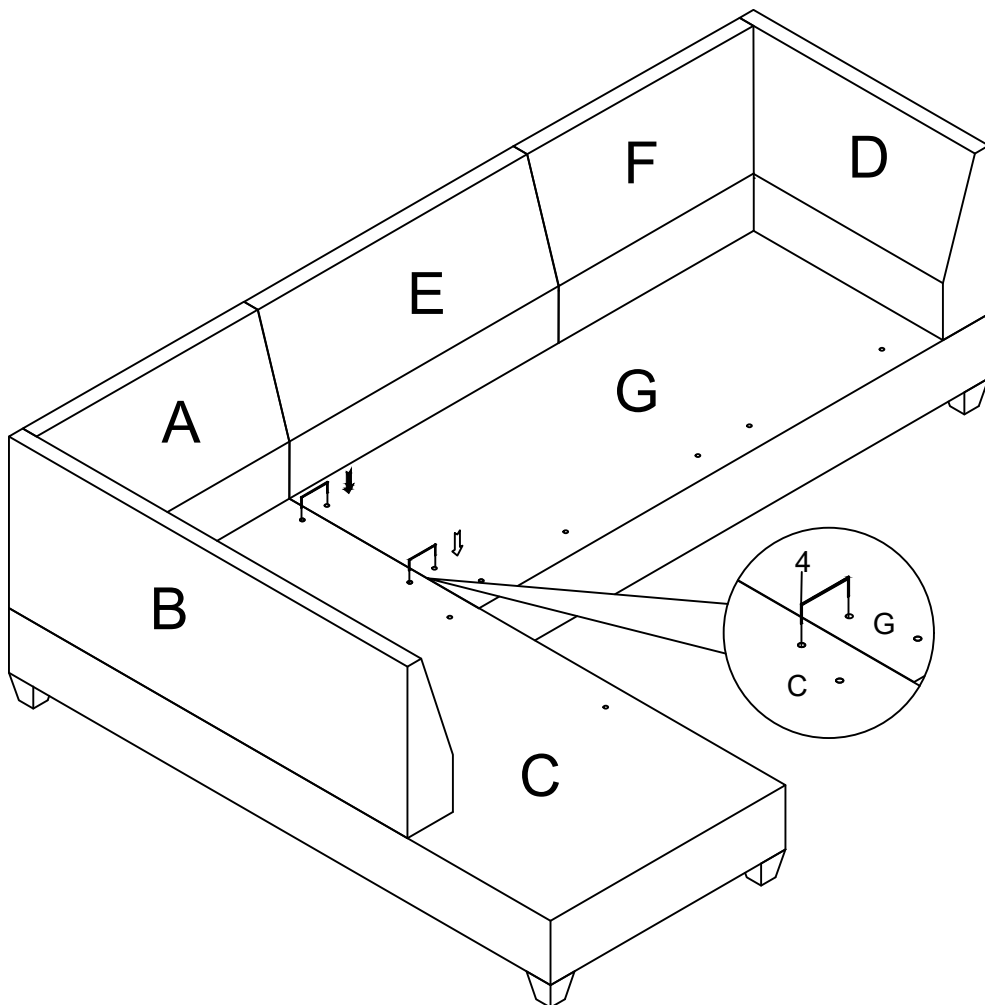
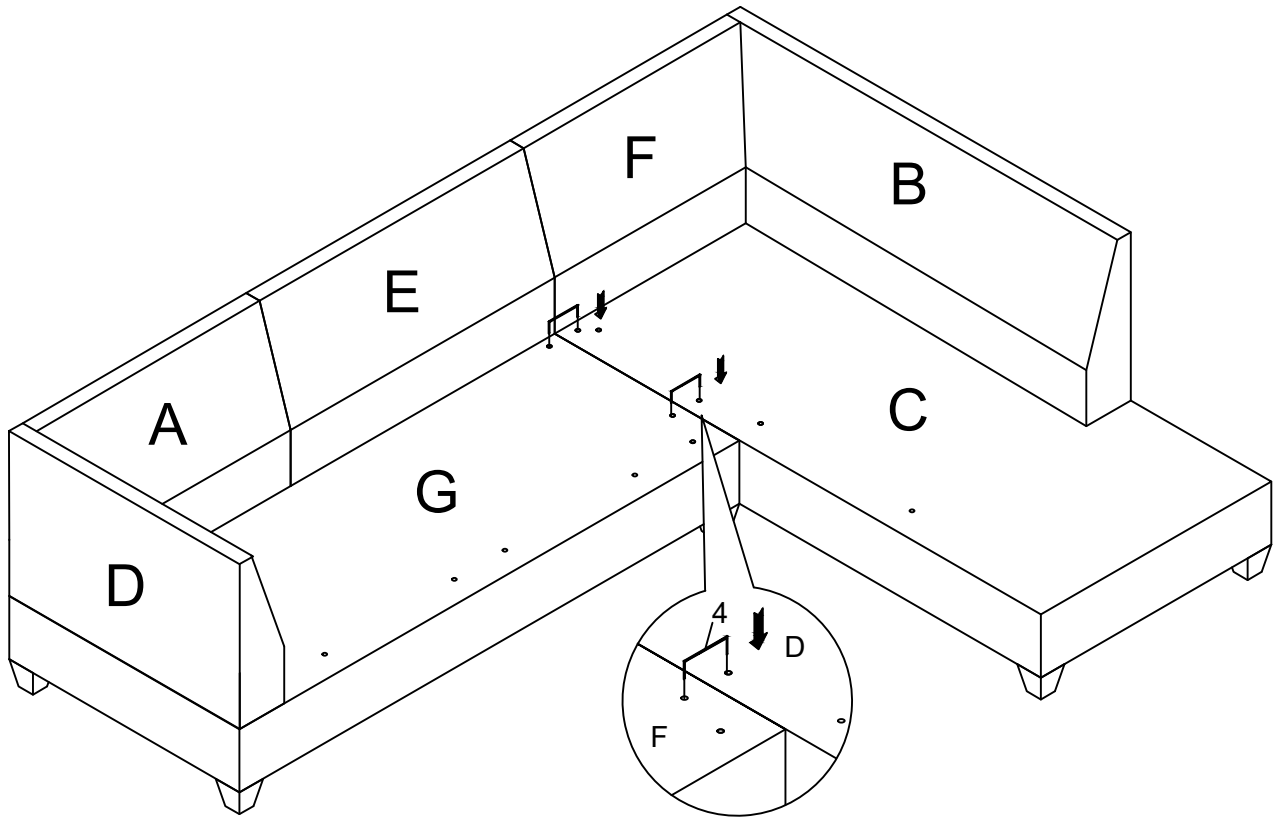
STEP 3- PUT BACK THE FABRIC COVER AND INSERT LEGS.



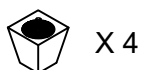
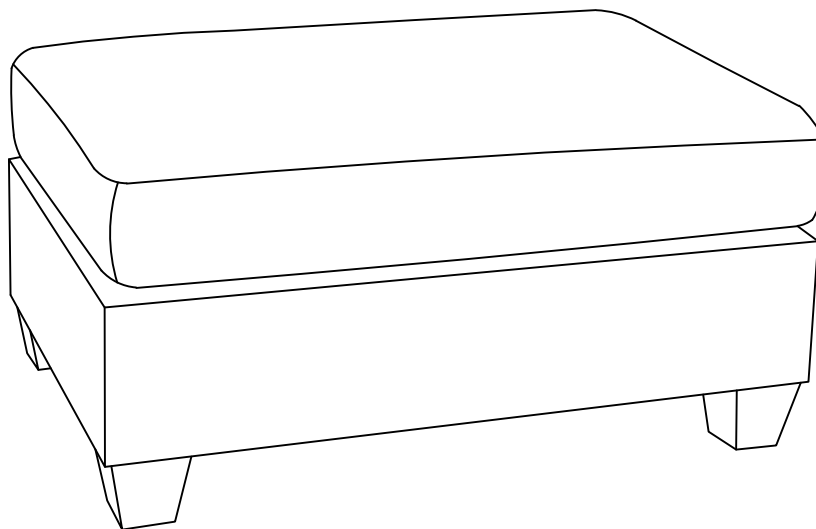
Stop when the rod starts coming out on the other end

CHAISE + SOFA (SECTIONAL)

CHAISE + SOFA CAN BE ATTACHED TOGETHER BY "n" SHAPE HANGER AS THE DRAWINGS SHOWN BELOW.

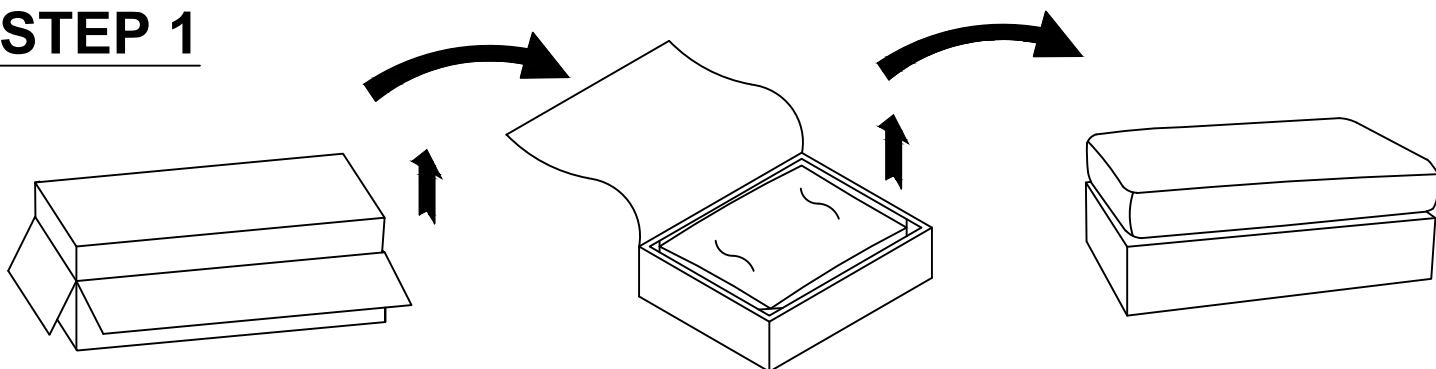


Assembly Instructions Item No.: F7606,F7608



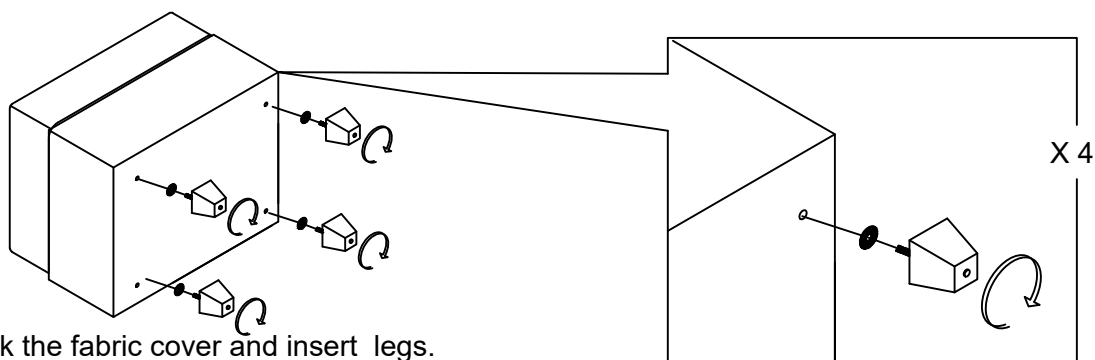
1

STEP 1



Open up the Velcro of Non-Woven Fabric cover on the bottom the seat Frame to remove seat cushion out.

STEP 2



Put Back the fabric cover and insert legs.